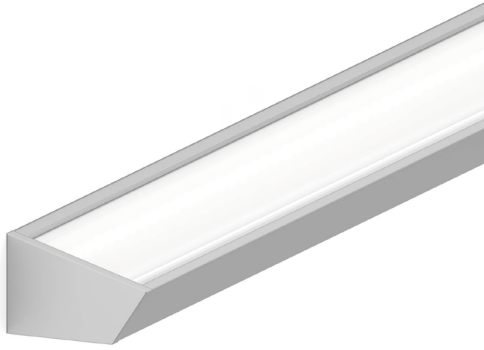
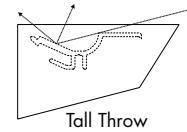
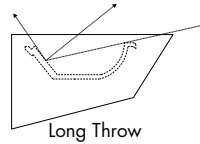
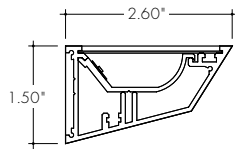


Features



- mCove is a continuous wall-mounted cove system designed to provide a smooth, uniform wash of indirect light across the ceiling plane
- mCove System is a turn-key solution for complex layouts and runs - coming with pre-welded corners for installation ease.
- Shipped as field configurable strip and channel
- Available with long throw and tall throw reflectors
- Suitable for wall mount applications
- Class 2 listed for damp locations
- Dot free even illumination
- Average Life (L70): 50,000hrs
- Vibrant Color options offer premium color quality with R9 values up to 98
- High Efficacy options offer best in class output and efficacy with over 1240 lm/ft and over 146 lm/W
- 7 Year warranty



Technical Information

TYPE	Vibrant Color VC72						
OUTPUT OPTIONS	VC72VLO	VC72LO	VC72SO	VC72MO	VC72HO	VC72VHO	VC72XHO
Lumens Output (3000K) (with a Clear Lens)	116 lm/ft	297 lm/ft	395 lm/ft	522 lm/ft	631 lm/ft	840 lm/ft	1002 lm/ft
Average Power Consumption (for a 4' section)	1.1 W/ft	2.8 W/ft	3.7 W/ft	4.9 W/ft	5.9 W/ft	7.9 W/ft	9.9 W/ft
Efficacy	105 lm/W	106 lm/W	107 lm/W	107 lm/W	107 lm/W	106 lm/W	101 lm/W
Max Run Length (in series)	56.9 ft	32 ft	28 ft	24 ft	21 ft	18 ft	12 ft
Ambient Operating Temperature Range*	-4°F - 122°F (-20°C - 50°C)						

* Ambient Operating Temperature Range to maintain L70 of 50k+ hours in normal mounting conditions for the fixture. Exceeding Ambient Operating Temperature Range may result in decreased life/output. Consult Technical Support for specific inquiries.

TYPE	High Efficacy HE64						
OUTPUT OPTIONS	HE64VLO	HE64LO	HE64SO	HE64MO	HE64HO	HE64VHO	HE64XHO
Lumens Output (3000K) (with a Clear Lens)	129 lm/ft	278 lm/ft	399 lm/ft	531 lm/ft	754 lm/ft	1034 lm/ft	1245 lm/ft
Average Power Consumption (for a 4' section)	1 W/ft	1.9 W/ft	2.9 W/ft	3.8 W/ft	5.6 W/ft	7.1 W/ft	8.9 W/ft
Efficacy	129 lm/W	146 lm/W	138 lm/W	140 lm/W	135 lm/W	146 lm/W	140 lm/W
Max Run Length (in series)	90 ft	55 ft	34.9 ft	26 ft	17 ft	13 ft	10.3 ft
Ambient Operating Temperature Range*	-4°F - 122°F (-20°C - 50°C)						

* Ambient Operating Temperature Range to maintain L70 of 50k+ hours in normal mounting conditions for the fixture. Exceeding Ambient Operating Temperature Range may result in decreased life/output. Consult Technical Support for specific inquiries.

Vibrant Color (VC72)					
CCT	Multiplier (ref. - 30K)	CRI	TM-30		
			R _f	R _g	R ₉
1800K	0.50	95	94	99	86
2200K	0.66	96	94	101	95
2400K	0.90	98	96	101	91
2700K	0.93	98	96	102	93
3000K	1.00	97	94	104	99
3500K	1.04	96	94	105	97
4100K	1.05	97	95	104	96

High Efficacy (HE64)					
CCT	Multiplier (ref. - 30K)	CRI	TM-30		
			R _f	R _g	R ₉
2200K	0.74	94	91	96	65
2400K	0.87	94	92	97	56
2700K	0.97	94	92	100	57
3000K	1.00	93	91	99	54
3500K	1.01	95	91	99	62
4000K	1.04	95	91	99	68

Ordering Code

MODEL	SHAPE	LENGTH ¹	OUTPUT ²	CCT	REFLECTOR	LENS	FINISH
M-mCove	STR - Straight Run CMLX - Complex Shape	Overall System Length in Inches (1/16) EX: 1249.0625	VC72VLO - Very Low VC72LO - Low VC72SO - Standard VC72MO - Medium VC72HO - High VC72VHO - Very High	18K - 1800K 22K - 2200K 24K - 2400K 27K - 2700K 30K - 3000K 35K - 3500K 41K - 4100K	LT - Long Throw TT - Tall Throw	C - Clear	PR - Paint Read
	UIC - U-Shape, Inside Corner UOC - U-Shape, Outside Corner	leg 1 X leg 2 X leg 3 in Inches (1/16) EX: 115.0625 X 13.50 X 235.125					
	IIC - I-Shape, Inside Corner LOC - I-Shape, Outside Corner RECIC - Rectangle, Inside Corner RECOC - Rectangle, Outside Corner	leg 1 X leg 2 in Inches (1/16) EX: 115.0625 X 13.50	HE64VLO - Very Low HE64LO - Low HE64SO - Standard HE64MO - Medium HE64HO - High HE64VHO - Very High	22K - 2200K 24K - 2400K 27K - 2700K 30K - 3000K 35K - 3500K 40K - 4000K			

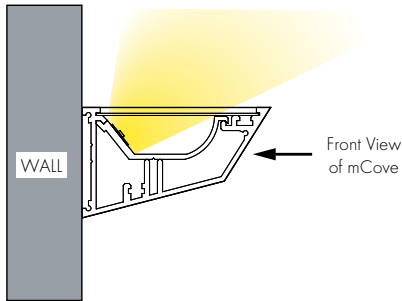
1 - Length written in decimal format to the closest sixteenth of an inch.

2 - Title 24 JA8 achievable depending on Output, CCT, and lens selections. See multiplier charts to calculate specific efficacies.

Applications

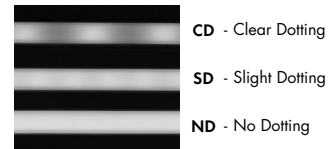
Wall Mount Cove

Fixture mounted on wall for indirect uplight.

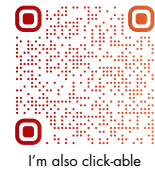


Light Transmission and Dotting

Output Options	Lens/Accessory							
	Long Throw Reflector				Tall Throw Reflector			
Dimming Level	100%	50%	10%	1%	100%	50%	10%	1%
VC72VLO	CD	CD	CD	CD	CD	CD	CD	CD
VC72LO	CD	CD	CD	CD	CD	CD	CD	CD
VC72SO	CD	CD	CD	CD	CD	CD	CD	CD
VC72MO	CD	CD	CD	CD	CD	CD	CD	CD
VC72HO	CD	CD	CD	CD	CD	CD	CD	CD
VC72VHO	CD	CD	CD	CD	CD	CD	CD	CD
VC72XHO	CD	CD	CD	CD	CD	CD	CD	CD
HE64VLO	CD	CD	CD	CD	CD	CD	CD	CD
HE64LO	CD	CD	CD	CD	CD	CD	CD	CD
HE64SO	CD	CD	CD	CD	CD	CD	CD	CD
HE64MO	CD	CD	CD	CD	CD	CD	CD	CD
HE64HO	CD	CD	CD	CD	CD	CD	CD	CD
HE64VHO	CD	CD	CD	CD	CD	CD	CD	CD
HE64XHO	CD	CD	CD	CD	CD	CD	CD	CD
Transmission Percentage	100%				100%			



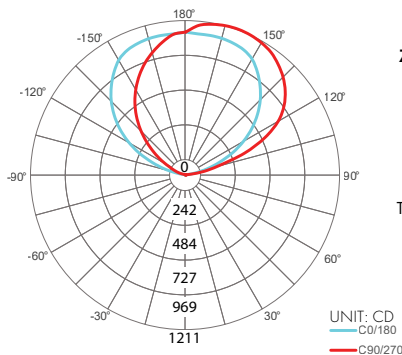
Use complete Dotting Chart Tool online for more dotting information



*Fixture uses indirect lighting, will have clear dotting if looking from above the fixture

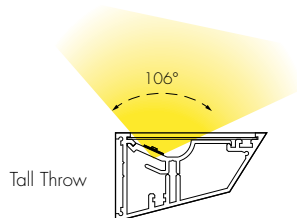
Photometry

M-48-VC72VHO-30K-TT
MCove, 4ft, VHO, 3000K, Tall Throw Lens

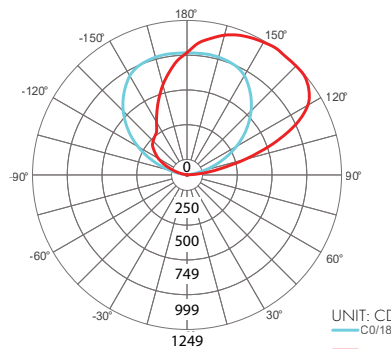


Zonal Lumen Summary 3000K

Zone	Lumen	% Fixture
0-30	222	26%
0-40	369	44%
0-60	667	79%
0-90	832	99%
Total 0-180	840	100%

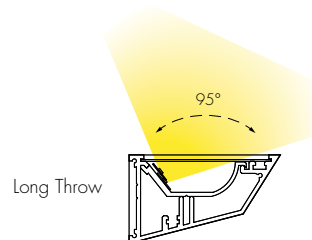
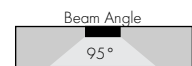


M-48-VC72VHO-30K-LT
MCove, 4ft, VHO, 3000K, Long Throw Lens

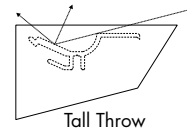
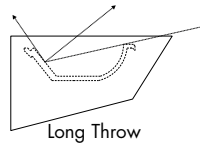
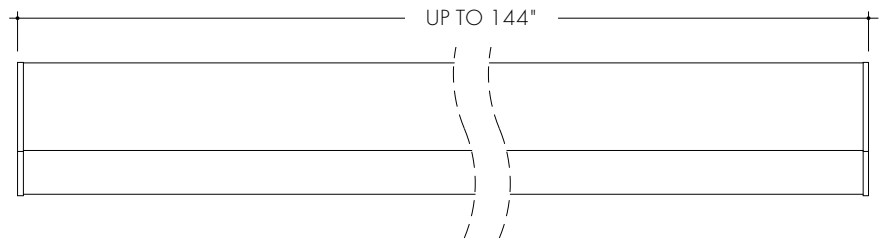
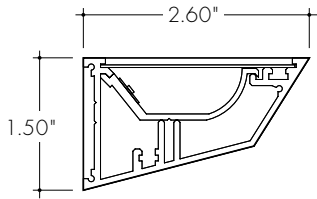


Zonal Lumen Summary 3000K

Zone	Lumen	% Fixture
0-30	194	23%
0-40	324	39%
0-60	618	74%
0-90	832	99%
Total 0-180	840	100%

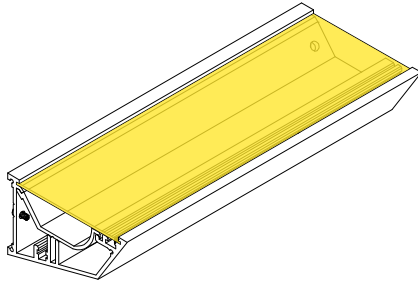


Product Dimensions



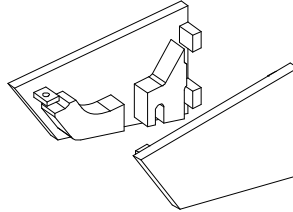
mCove System - What's Included

A - mCove Straight Extrusion



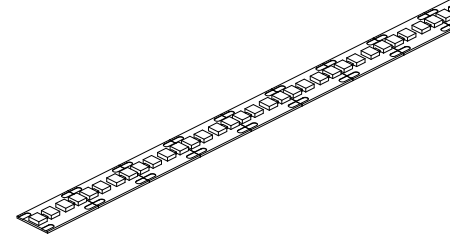
Included with mCove System, the mCove Straight extrusion is the main architectural housing for the majority of the system run. It includes LED Strip, lens, mounting screws, and a reflector. Provided in lengths of 72"/144"

B - mCove endcaps



Included with the mCove System, end caps matching the fixture finish attach directly to the mCove Straight Extrusion

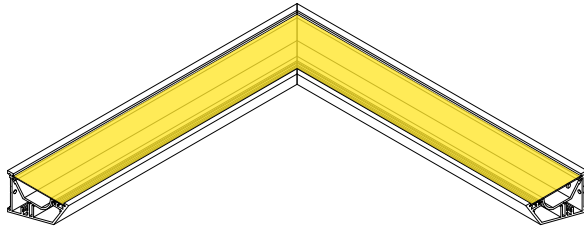
C - LineLED



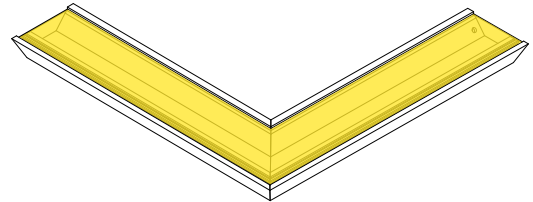
Included with mCove System, the LineLED will be split into runs based on system layout and max run length of the LED strip. By default, the LineLED will come with soldered leads (SL) on end and no connector (NC) on the other. Additional configurations available upon request.

D - mCove Corner

Based on ordered Run



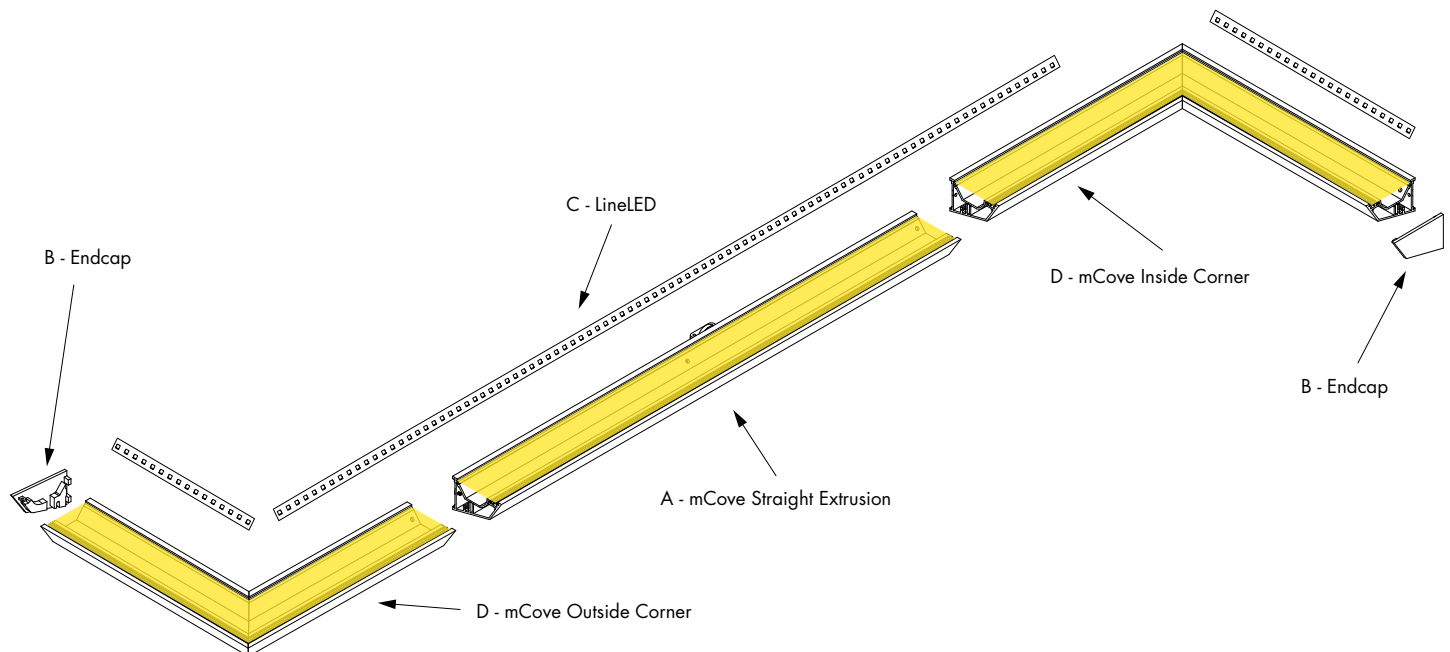
mCove Inside Corner



mCove Outside Corner

Includes two welded mCove extrusion pieces, two lenses, two mitered reflectors and a pair of joiners. Corners are nominally 12" x 12".

Layout example



Accessories

MCAL-SJ

mCove Channel Straight Joiner



Included with the mCove System, the mCove straight joiner comes with two joiners. Order extra as needed.

Power Consumption

Please visit the link/QR code below to access the Luminii Power Consumption Chart tool on our website.

There you will be able to select your fixture, output, and desired power feed to get a full power consumption table.



I'm also click-able

Desired Nominal Length: _____

Desired Output: _____

Desired CCT: _____

Voltage Drop Calculator

The below chart assumes nominal voltage of 24 Volts and a Voltage Drop Allowance of 3% through the wire

Wattage [W]	Maximum Wire Length From Power Supply to Start of Run [ft]						
	12 AWG	14 AWG	16 AWG	18 AWG	20 AWG	22 AWG	24 AWG
5	1088.2	684.4	430.3	270.6	170.2	107.1	67.3
10	544.1	342.2	215.1	135.3	85.1	53.5	33.7
15	362.7	228.1	143.4	90.2	56.7	35.7	22.4
20	272.0	171.1	107.6	67.7	42.6	26.8	16.8
25	217.6	136.9	86.1	54.1	34.0	21.4	13.5
30	181.4	114.1	71.7	45.1	28.4	17.8	11.2
35	155.5	97.8	61.5	38.7	24.3	15.3	9.6
40	136.0	85.5	53.8	33.8	21.3	13.4	8.4
45	120.9	76.0	47.8	30.1	18.9	11.9	7.5
50	108.8	68.4	43.0	27.1	17.0	10.7	6.7
55	98.9	62.2	39.1	24.6	15.5	9.7	6.1
60	90.7	57.0	35.9	22.6	14.2	8.9	5.6
65	83.7	52.6	33.1	20.8	13.1	8.2	5.2
70	77.7	48.9	30.7	19.3	12.2	7.6	4.8
75	72.5	45.6	28.7	18.0	11.3	7.1	4.5
80	68.0	42.8	26.9	16.9	10.6	6.7	4.2
85	64.0	40.3	25.3	15.9	10.0	6.3	4.0
90	60.5	38.0	23.9	15.0	9.5	5.9	3.7
96	56.7	35.6	22.4	14.1	8.9	5.6	3.5

Power Supplies

See Power Supply instructions and spec sheet for wiring information. For a complete list of compatible dimmers, see Compatible Dimming Chart on the Resources page.

For use with Static White

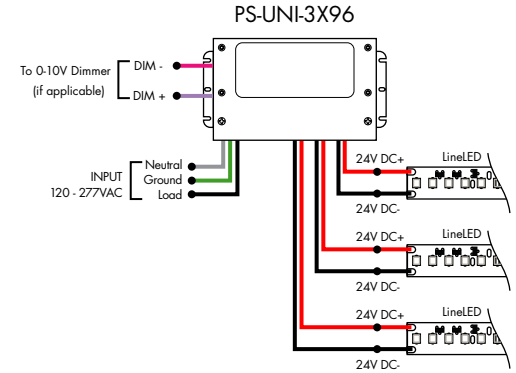
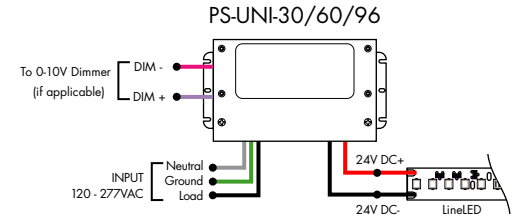
Ordering Code - Universal Dimming Power Supplies 0.1% 120VAC - 277VAC

MODEL	INPUT CONTROL	WATTAGE	OUTPUT
PS-Power Supply, 120-277VAC	UNI - 0-10V Dimming (0.1%), Phase Dimming (0.1%)	30 - 30 Watts 60 - 60 Watts 96 - 96 Watts 3x96 - 3x96 Watts	24 - 24 VDC

Compatibility: View a complete list of compatible dimmers on the PS-UNI product page.

0-10V - 0.1% dimming
MLV/ELV/TRIAC - 0.1% dimming, consult dimming compatibility chart

MODELS	PS-UNI-30W	PS-UNI-60W	PS-UNI-96W	PS-UNI-3X96W
Length	6.50"	7.40"	8.66"	11.85"
Width	3.73"	3.73"	3.73"	4.32"
Depth	1.61"	1.61"	1.61"	1.81"

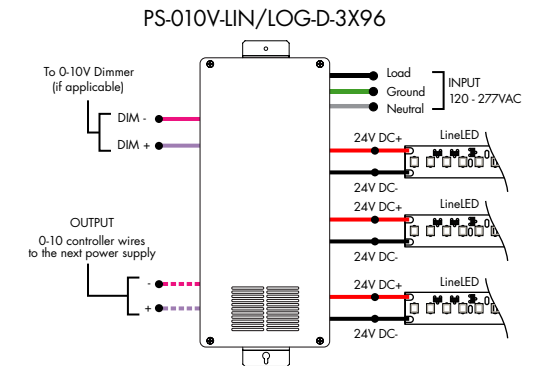
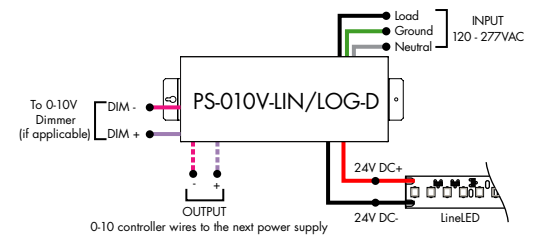


For use with Static White

Ordering Code - 0-10V Dimming Power Supplies 0.1% 120VAC - 277VAC

MODEL	INPUT CONTROL	ENVIRONMENT	WATTAGE	OUTPUT
PS-Power Supply, 120-277VAC	010V-LIN - 0-10V Dimming (0.1%), Linear 010V-LOG - 0-10V Dimming (0.1%), Logarithmic	D-Dry	96 - 96 Watts 3x96 - 3x96 Watts	24 - 24 VDC

MODELS	96W	3X96
Length	14.40"	15.00"
Width	5.20"	6.62"
Depth	2.60"	4.45"



Power Supplies

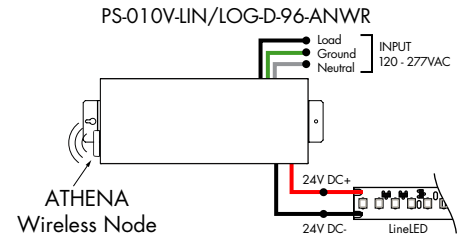
See Power Supply instructions and spec sheet for wiring information. For a complete list of compatible dimmers, see Compatible Dimming Chart on the Resources page.

For use with Static White

Ordering Code - Athena 0-10V LED Driver

MODEL	INPUT CONTROL	ENVIRONMENT	WATTAGE	OUTPUT	FEATURE
PS-Power Supply, 120-277VAC	010V-LIN-0-10V Dimming (0.1%), Linear 010V-LOG-0-10V Dimming (0.1%), Logarithmic	D-Dry	96-96 Watts	24-24 VDC	AWNR-Athena Wireless Node

MODELS	96W
Length	14.40"
Width	5.20"
Depth	2.60"

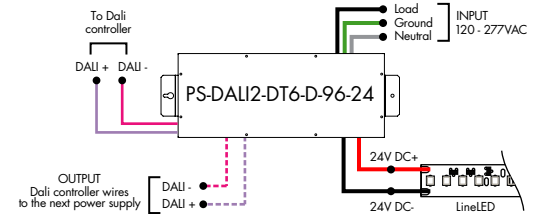


For use with Static White

Ordering Code - DALI 2 Dimming Power Supplies 0.1% 120VAC - 277VAC

MODEL	INPUT CONTROL	ENVIRONMENT	WATTAGE	OUTPUT
PS-Power Supply, 120-277VAC	DALI2-DT6-DALI2 DT6 (0.1%)	D-Dry	96-96 Watts	24-24 VDC

Model	96W
Length	14.40"
Width	5.20"
Depth	2.60"

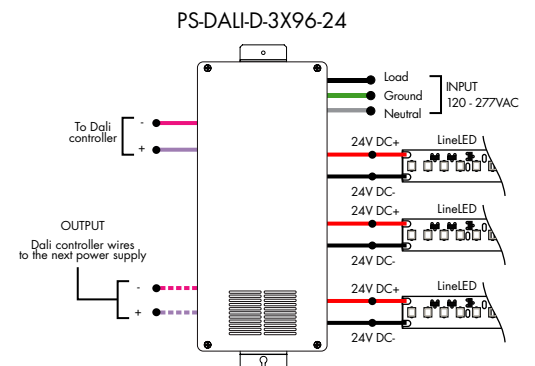
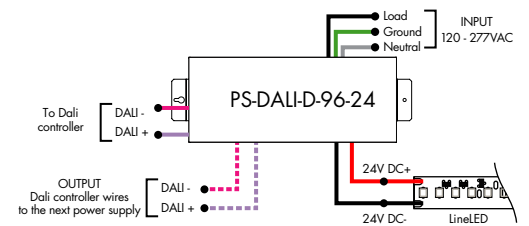


For use with Static White

Ordering Code - DALI Dimming Power Supplies 0.1% 120VAC - 277VAC

MODEL	INPUT CONTROL	ENVIRONMENT	WATTAGE	OUTPUT
PS-Power Supply, 120-277VAC	DALI-DALI (0.1%)	D-Dry	96-96 Watts 3x96-3x96 Watts	24-24 VDC

Model	96W	3X96
Length	14.40"	15.00"
Width	5.20"	6.62"
Depth	2.60"	4.56"



Power Supplies

See Power Supply instructions and spec sheet for wiring information. For a complete list of compatible dimmers, see Compatible Dimming Chart on the Resources page.

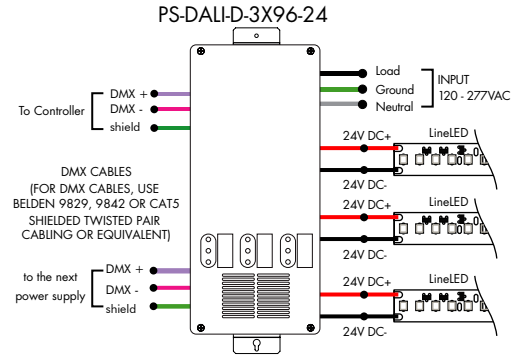
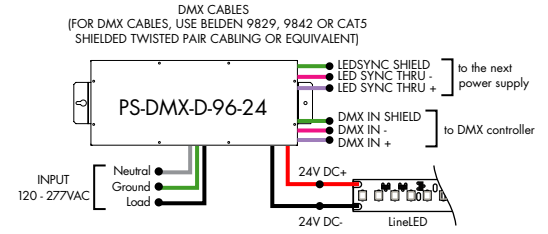
For use with Static White

Ordering Code - DMX Dimming Power Supplies 0.1% 120VAC - 277VAC

MODEL	INPUT CONTROL	ENVIRONMENT	WATTAGE	OUTPUT
PS - Power Supply, 120-277VAC	DMX - DMX (0.1%)	D - Dry	96 - 96 Watts 3x96 - 3x96 Watts	24 - 24 VDC

MODELS	96W	3X96
Length	14.40"	15.00"
Width	5.20"	6.62"
Depth	2.60"	4.56"

ZONAL CONTROL POWER SUPPLIES.
CONTROL MULTIPLE TAPES/ZONES USING DMX CHANNELS.

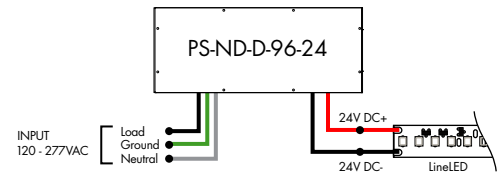


For use with Static White

Ordering Code - Non-Dimming Power Supply, 120VAC - 277VAC

MODEL	INPUT CONTROL	ENVIRONMENT	WATTAGE	OUTPUT
PS - Power Supply, 120-277VAC	ND - Non Dimming	D - Dry	96 - 96 Watts	24 - 24 VDC

MODELS	96W
Length	14.40"
Width	5.20"
Depth	2.60"

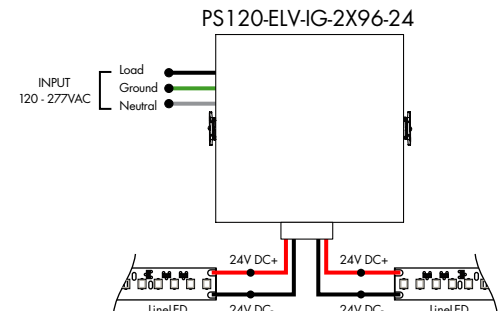


For use with Static White

Ordering Code - In-Ground Power Supplies

MODEL	INPUT CONTROL	ENVIRONMENT	WATTAGE	OUTPUT
PS120 - Power Supply, 120VAC PS240 - Power Supply, 240VAC PS277 - Power Supply, 277VAC	ELV - ELV Dimming (1%)	IG - In Ground	2X96 - 2X96 Watts	24 - 24 VDC

MODELS	2X96W
Length	8.40"
Width	8.30"
Depth	8.10"



Power Supplies

See Power Supply instructions and spec sheet for wiring information. For a complete list of compatible dimmers, see Compatible Dimming Chart on the Resources page.



Luminii is a Lutron OEM Advantage Partner

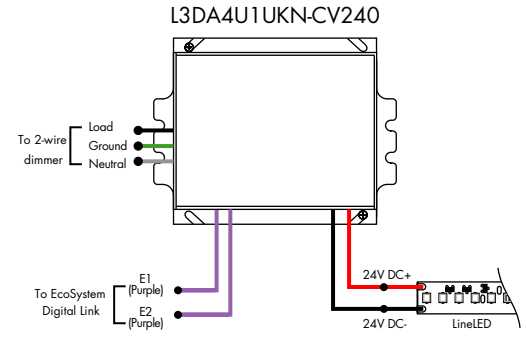
Lutron Power Supplies 1%

MODEL

L3DA4U1UKL-CV240

HiLume™ 1% EcoSystem Voltage LED driver 40W max

MODELS	L3DA4U1UKL-CV240
Length	4.98"
Width	4.00"
Depth	2.62"



Luminii is a Lutron OEM Advantage Partner

Lutron Power Supplies 0.1%

MODEL

L3D0-96W24V-U

HiLume™ 0.1% EcoSystem Voltage LED Driver with Soft-On, Fade-to-Black™ 96W max

MODELS	L3D0
Length	10.50"
Width	5.50"
Depth	2.00"

