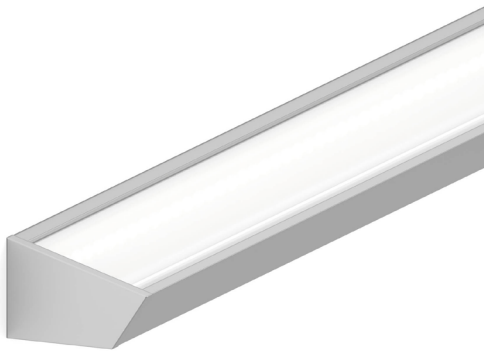
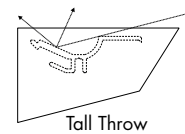
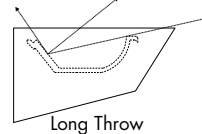
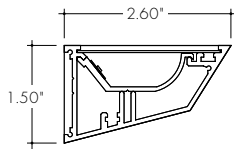


Features



- 24VDC Class 2 fixtures made to order up to 144". Fixtures can be linked up to 48' depending on output
- Suitable for wall mount applications
- Available with long throw and tall throw reflectors
- Class 2 listed for damp locations
- Dot free even illumination
- Average Life (L70): 50,000hrs
- 7 Year warranty
- High Color Quality options offer premium quality and vibrant colors with R9 values up to 97
- High Efficacy options offer best in class output and efficacy with over 1000 lm/ft and over 130 lm/W
- Proprietary strong bond solder method handles up to 50 lbs of pull force on wire leads and connectors



Technical Information

TYPE	High Color Quality			High Efficacy				High Efficacy	
	72SO	72HO	72VHO	HE48LO	HE48SO	HE48MO	HE48HO	HE64VHO	HE64XHO
OUTPUT OPTIONS									
Lumens Output (3000K)	246 lm/ft	400 lm/ft	486 lm/ft	240 lm/ft	332 lm/ft	443 lm/ft	711 lm/ft	900 lm/ft	1013 lm/ft
Average Power Consumption (for a 4' section)	2.8 W/ft	4.8 W/ft	6 W/ft	1.9 W/ft	2.8 W/ft	3.5 W/ft	6.5 W/ft	7.5 W/ft	9.6 W/ft
Efficacy	88 lm/W	83 lm/W	81 lm/W	126 lm/W	119 lm/W	127 lm/W	109 lm/W	120 lm/W	106 lm/W
Max Run Length (in series)	40 ft	31 ft	22 ft	48 ft	42 ft	33 ft	21 ft	15 ft	13 ft
Ambient Operating Temperature Range*	-5°F - 125°F (-20°C - 50°C)			-5°F - 125°F (-20°C - 50°C)				-5°F - 125°F (-20°C - 50°C)	

*Ambient Operating Temperature Range to maintain L70 of 50k+ hours in normal mounting conditions for the fixture. Exceeding Ambient Operating Temperature Range may result in decreased life/output. Consult Technical Support for specific inquiries.

High Color Quality (72)

CCT	Multiplier (reference - 3000K)	TM-30			
		CRI	R _f	R _g	R ₉
1900K	0.55	96	94	97	90
2200K	0.70	96	95	101	89
2400K	0.72	98	97	101	91
2700K	0.74	97	96	101	91
3000K	1.00	97	95	104	97
3500K	1.02	97	94	105	97
4100K	1.07	97	90	99	97

High Efficacy (HE48/HE64)

CCT	Multiplier (reference - 3000K)	TM-30			
		CRI	R _f	R _g	R ₉
2200K	0.73	92	91	97	42
2500K	0.81	93	96	96	62
2700K	0.94	92	90	99	58
3000K	1.00	92	89	99	57
3500K	1.02	92	89	99	60
4000K	1.02	92	86	94	71

Ordering Code

MODEL	LENGTH ¹	OUTPUT ²	CCT	REFLECTOR	FINISH	LEFT END CAP	RIGHT END CAP	POWER FEED LEFT END ³	POWER FEED RIGHT END ³
M - mCove	12"-144" 1" increments	72SO - Standard 72HO - High 72VHO - Very High	19K - 1900K 22K - 2200K 24K - 2400K 27K - 2700K 30K - 3000K 35K - 3500K 41K - 4100K	LT - Long Throw TT - Tall Throw	PR - Paint Ready	LE - Endcap Left End LN - No Endcap Left End	RE - Endcap Right End RN - No Endcap Right End	LPB - Back Plenum Leads LNPF - No Power Feed	RNPF - No Power Feed
	12"-144" 2" increments	HE48LO - Low HE48SO - Standard HE48MO - Medium HE48HO - High HE64VHO - Very High HE64XHO - Max	22K - 2200K 25K - 2500K 27K - 2700K 30K - 3000K 35K - 3500K 40K - 4000K			LE - Endcap Left End LN - No Endcap Left End	RN - No Right Endcap, With Jumper Wires	LPB - Back Plenum Leads LNPF - No Power Feed	RNPF - No Power Feed
						LNJ - No Left Endcap, With Jumper Wires	RE - Endcap Right End RN - No Endcap Right End	LNPF - No Power Feed	RPB - Back Plenum Leads RNPF - No Power Feed
						LNJ - No Left Endcap, With Jumper Wires	RNJ - No Right Endcap, With Jumper Wires	LNPF - No Power Feed	RNPF - No Power Feed

1 - Custom lengths and increments are available, please consult Inside Sales with specific request.
 2 - All High Efficacy options can be used to comply with Title 24 JAB. High Color Quality options can be used to comply with Title 24 JAB depending on Output, CCT, and lens selections. See multiplier charts to calculate specific efficacies.
 3 - Plenum Rated Wire leads are 72" long.
 4 - NOTE: Cannot pair LNPF-RNPF without jumper connections - either LNJ or RNJ must be selected to allow for LNPF-RNPF to be chosen.
 5 - NOTE: Cannot pair LPB-RPB together. Only one power feed per fixture/section on mCove
 6 - NOTE: Cannot have a power feed on the same end as a jumper wire connection.

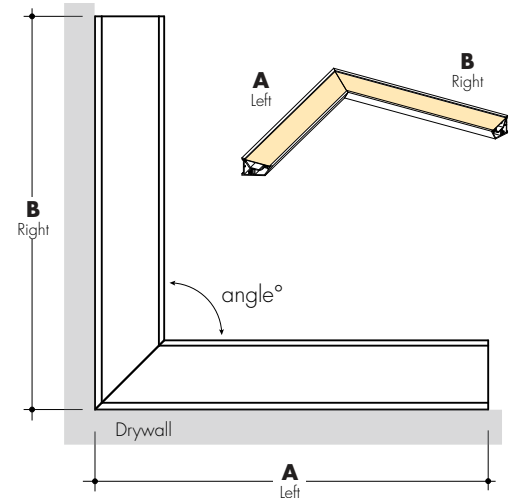
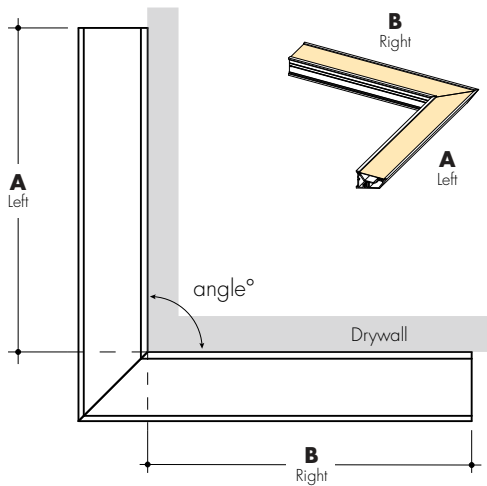
mCove Corner Options

M-OC

Outer Corner

M-IC

Inner Corner



High Color Quality	Actual Length		Total Wattage			Actual Length		Total Wattage	
	A	B	72SO	72HO	72VHO	A	B	72SO	72HO
Corner Type									
Outer (M-OC)	12 9/16	12 9/16	10.2	17.1	22.6	12 9/16	12 9/16	10.2	17.1
Inner (M-IC)	10 13/16	10 13/16	10.2	17.1	22.6	10 13/16	10 13/16	10.2	17.1

High Efficacy	Actual Length		Total Wattage				Actual Length		Total Wattage	
	A	B	HE48LO	HE48SO	HE48MO	HE48HO	A	B	HE64SO	HE64HO
Corner Type										
Outer (M-OC)	12 13/16	12 13/16	6.7	10.2	12.6	23.9	13 2/16	13 2/16	29.5	37.6
Inner (M-IC)	11 1/16	11 1/16	6.7	10.2	12.6	23.9	11 6/16	11 6/16	29.5	37.6

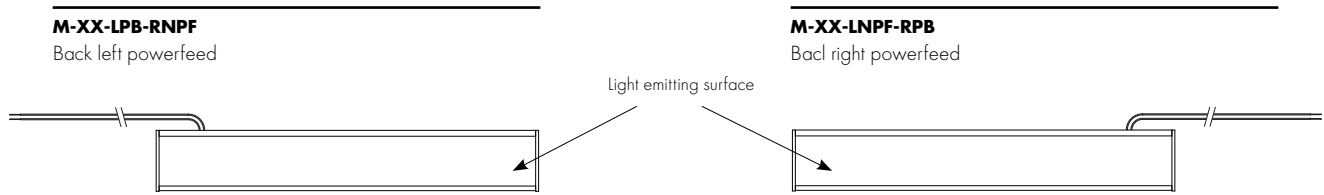
Ordering Code

MODEL	CORNER	ANGLE ¹	OUTPUT ²	CCT	REFLECTOR	FINISH	LEFT END CAP	RIGHT END CAP	POWER FEED LEFT END ³	POWER FEED RIGHT END ³
M - mCove	IC - Inner Corner OC - Outer Corner	90 - 90° Corner C - Custom Angle Corner	72SO - Standard 72HO - High 72VHO - Very High	19K - 1900K 22K - 2200K 24K - 2400K 27K - 2700K 30K - 3000K 35K - 3500K 41K - 4100K	LT - Long Throw TT - Tall Throw	PR - Paint Ready	LE - Endcap Left End LN - No Endcap Left End	RE - Endcap Right End RN - No Endcap Right End	LPB - Back Plenum Leads LNPF - No Power Feed	RNPF - No Power Feed
			HE48LO - Low HE48SO - Standard HE48MO - Medium HE48HO - High HE64VHO - Very High HE64XHO - Max	22K - 2200K 25K - 2500K 27K - 2700K 30K - 3000K 35K - 3500K 40K - 4000K			LE - Endcap Left End LN - No Endcap Left End	RNJ - No Right Endcap, With Jumper Wires LNPF - No Power Feed	LPB - Back Plenum Leads LNPF - No Power Feed	RNPF - No Power Feed
							LNJ - No Left Endcap, With Jumper Wires	RE - Endcap Right End RN - No Endcap Right End	LNPF - No Power Feed	RPB - Back Plenum Leads RNPF - No Power Feed
							LNJ - No Left Endcap, With Jumper Wires	RNJ - No Right Endcap, With Jumper Wires	LNPF - No Power Feed	RNPF - No Power Feed

1 - Custom Angle Corners are available, please consult Inside Sales with specific request.
 2 - All High Efficacy options can be used to comply with Title 24 JAB. High Color Quality options can be used to comply with Title 24 JAB depending on Output, CCT, and Lens selections. See multiplier charts to calculate specific efficacies.
 3 - Plenum Rated Wire leads are 72" long.

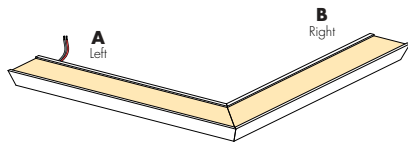
4 - NOTE: Cannot pair LNPF-RNPF without jumper connections - either [LN] or [RN] must be selected to allow for LNPF-RNPF to be chosen.
 5 - NOTE: Cannot pair LPB-RPB together. Only one power feed per fixture/section on mCove
 6 - NOTE: Cannot have a power feed on the same end as a jumper wire connection.

Power feed options for straight sections

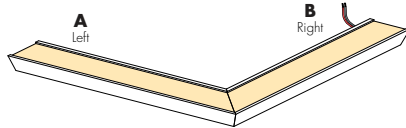


Power feed options for corner fixtures

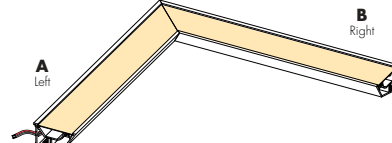
M-OC-90-XX-LPB-RNPF
Outside Corner, back left powerfeed



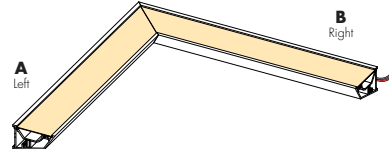
M-OC-90-XX-LNPF-RPB
Outside Corner, back right powerfeed



M-IC-90-XX-LPB-RNPF
Inside Corner, back left powerfeed

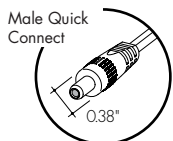


M-IC-90-XX-LNPF-RPB
Inside Corner, back right powerfeed

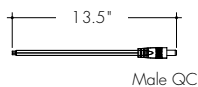


Powerfeeds and Connectors

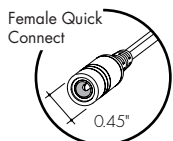
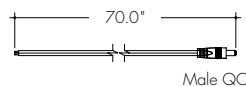
Linking and Extension Cable Options



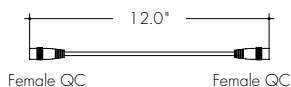
LMC-12
Male quick-connect, 2 pin, 12"



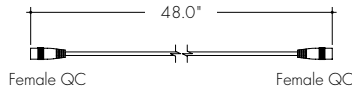
LMC-70
Male quick-connect long, 2 pin, 70"



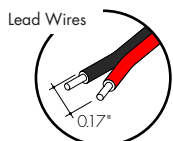
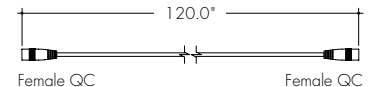
EC-12
Female to Female Extension Cable, 2 pin, 12"



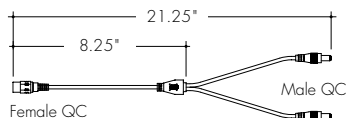
EC-48
Female to Female Extension Cable, 2 pin, 48"



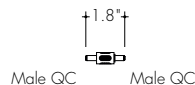
EC-120
Female to Female Extension Cable, 2 pin, 120"



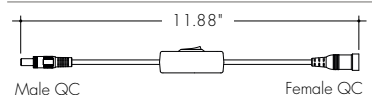
LYC
1 Female to 2 Male Splitter Cable, 2 pin, 12"



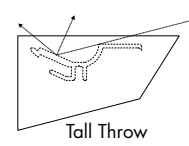
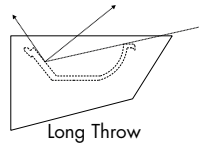
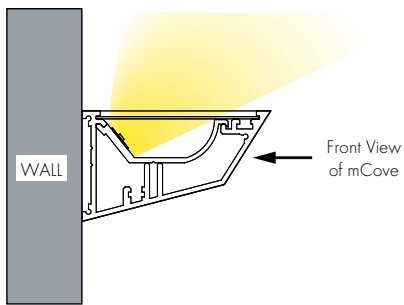
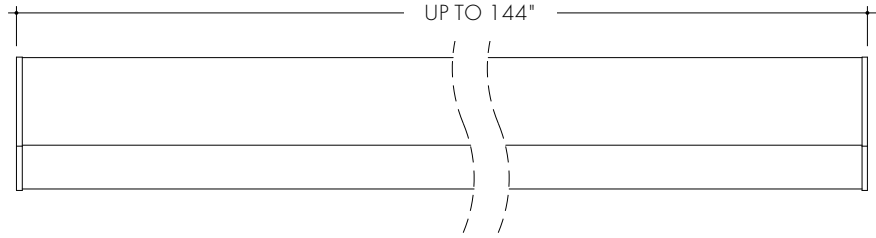
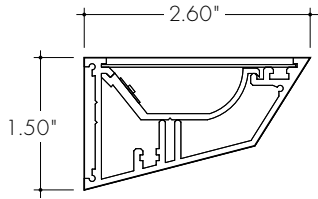
FMA
Female to male adapter



IS-DC
Male to Female Inline DC Switch, 2 pin, 12"

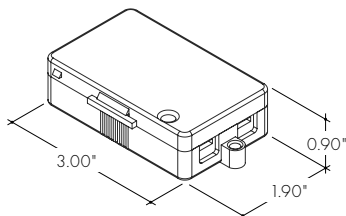


Product Dimensions

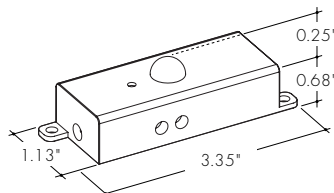


Accessory Options

LVSP-4T-BK
Low Voltage, 4 Terminal Splice Box, Black

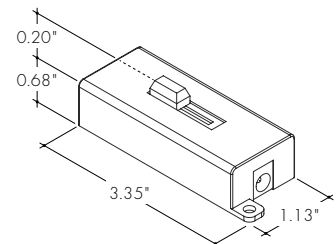


OS-DC-F4-BK
Occupancy Sensor



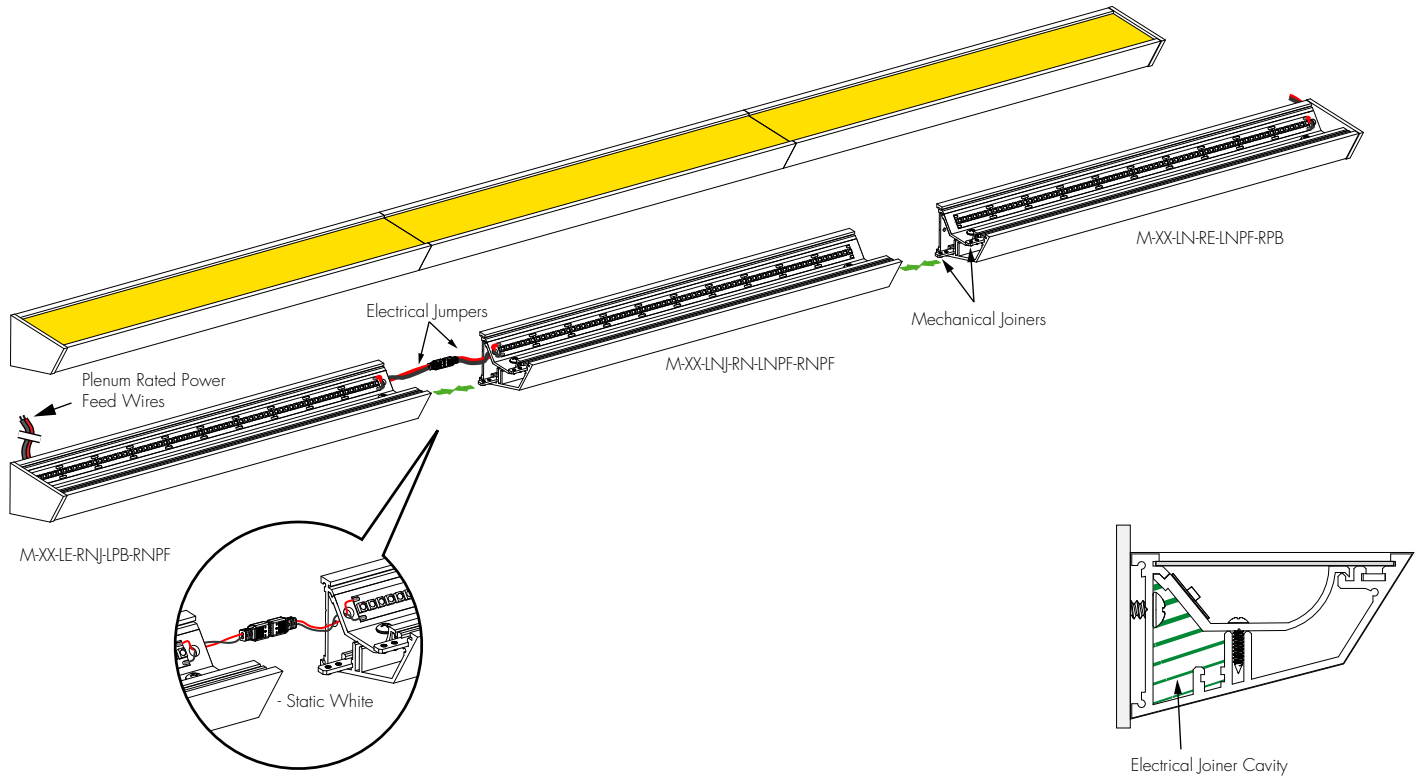
Male Quick Connect, FMA, LMC, LYC, or IS-DC are required for input and output.

DIM-DC-F4-BK
24VDC Low Voltage In-line Dimmer Module

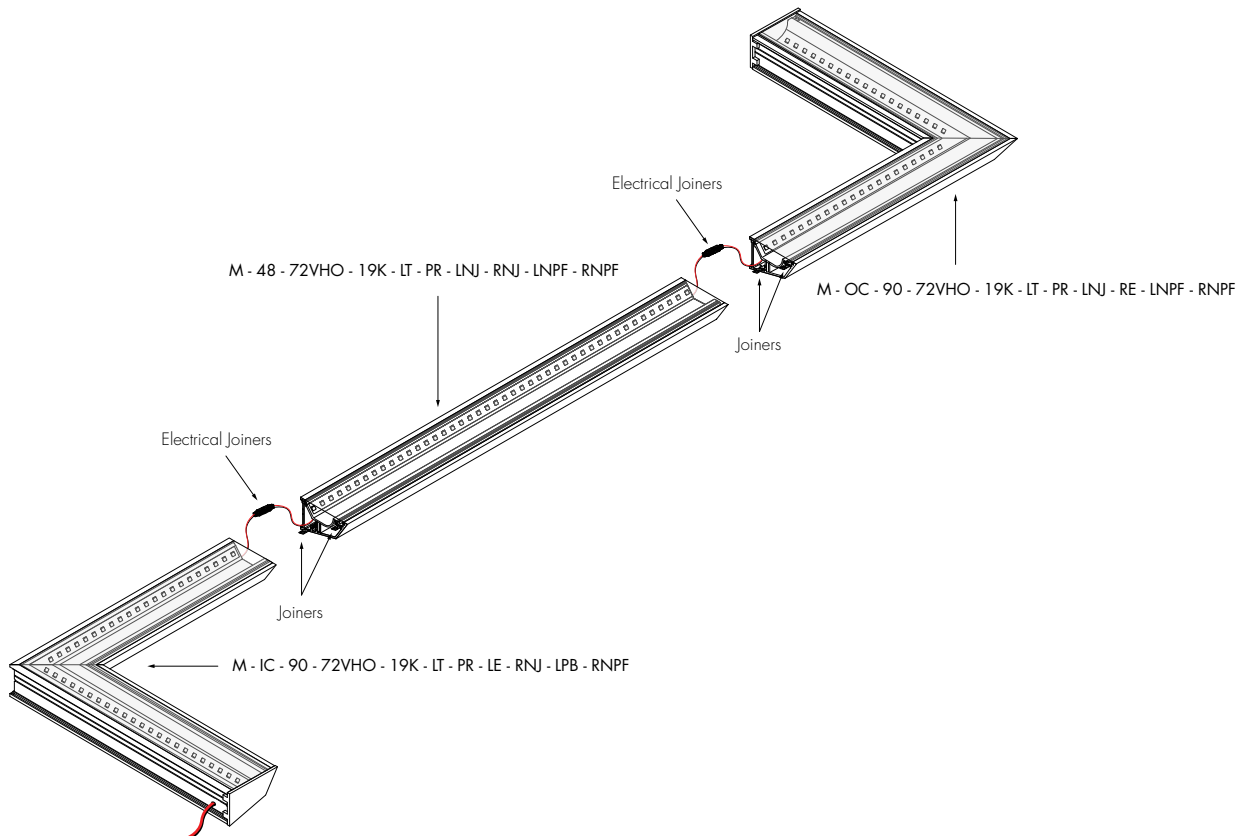


Male Quick Connect, FMA, LMC, LYC, or IS-DC are required for input and output.

Sample Layout of Power Feed



Layout example



Photometry

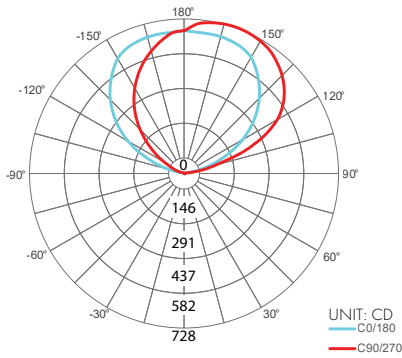
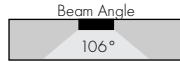
M-48-72VHO-30K-TT

M-Cove, 4ft, 72VHO, 3000K, Tall Throw Lens

Zonal Lumen Summary 3000K

Zone	Lumen	% Fixture
0-30	533	23.1%
0-40	886	28.6%
0-60	1602	73.6%
0-90	1998	99.1%
0-180	2016	100.0%

Total



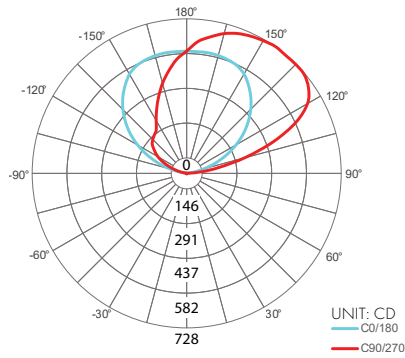
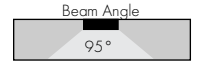
M-48-72VHO-30K-LT

M-Cove, 4ft, 72VHO, 3000K, Long Throw Lens

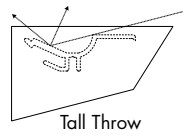
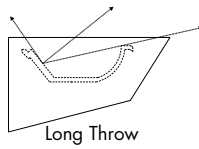
Zonal Lumen Summary 3000K

Zone	Lumen	% Fixture
0-30	450	23.1%
0-40	751	28.6%
0-60	1431	73.6%
0-90	1927	99.1%
0-180	1945	100.0%

Total



Reflector Options



Power Consumption

Tested at Full Power with PS-UNI Series power supplies.

Standard Nominal Lengths offered provide minimal shadowing. For alternate lengths, please consult Inside Sales with specific request.

High Color Quality (72)

Nominal Length (in)	Actual Length	Watts			Nominal Length (in)	Actual Length	Watts			Nominal Length (in)	Actual Length	Watts			Nominal Length (in)	Actual Length	Watts		
		SO	HO	VHO			SO	HO	VHO			SO	HO	VHO			SO	HO	VHO
12	11 5/16	2.7	4.4	6.2	47	46 1/16	10.2	17.1	22.6	82	81 15/16	18.3	29.5	38.4	117	116 11/16	25.9	40.8	52.4
13	12 7/16	2.7	4.4	6.2	48	47 3/16	10.5	17.4	23.1	83	—	—	—	—	118	117 13/16	26.1	41.1	52.8
14	13 10/16	2.9	4.8	6.7	49	48 6/16	10.7	17.8	23.5	84	83 1/16	18.5	29.8	38.8	119	119	26.3	41.4	53.2
15	14 12/16	3.1	5.2	7.3	50	49 8/16	11.1	18.6	24.4	85	84 4/16	18.7	30.1	39.2	120	—	—	—	—
16	15 15/16	3.4	5.6	7.8	51	50 11/16	11.4	18.9	24.9	86	85 6/16	19.2	30.8	40.0	121	120 2/16	26.5	41.7	53.6
17	—	—	—	—	52	51 13/16	11.6	19.3	25.3	87	86 9/16	19.4	31.1	40.4	122	121 5/16	26.7	42.0	54.0
18	17 1/16	3.6	6.0	8.3	53	53	11.9	19.7	25.7	88	87 12/16	19.6	31.5	40.8	123	122 7/16	27.1	42.6	54.7
19	18 4/16	3.9	6.5	8.9	54	—	—	—	—	89	88 14/16	19.9	31.8	41.1	124	123 10/16	27.3	42.9	55.0
20	19 6/16	4.4	7.3	9.9	55	54 2/16	12.1	20.1	26.1	90	—	—	—	—	125	124 12/16	27.5	43.1	55.4
21	20 9/16	4.6	7.7	10.5	56	55 5/16	12.3	20.5	26.6	91	90 1/16	20.1	32.2	41.5	126	125 15/16	27.7	43.4	55.7
22	21 11/16	4.8	8.1	11.0	57	56 7/16	12.8	21.3	27.4	92	91 3/16	20.4	32.5	41.9	127	—	—	—	—
23	22 14/16	5.1	8.6	11.5	58	57 10/16	13.1	21.6	27.8	93	92 6/16	20.6	32.9	42.3	128	127 1/16	27.9	43.7	56.1
24	—	—	—	—	59	58 12/16	13.3	22.0	28.3	94	93 8/16	21.1	33.6	43.1	129	128 4/16	28.1	43.9	56.4
25	24 1/16	5.3	9.0	12.1	60	59 15/16	13.6	22.4	28.7	95	94 11/16	21.3	33.9	43.4	130	129 7/16	28.5	44.5	57.1
26	25 3/16	5.6	9.4	12.6	61	—	—	—	—	96	95 13/16	21.5	34.2	43.8	131	130 9/16	28.7	44.7	57.4
27	26 6/16	5.8	9.8	13.1	62	61 1/16	13.8	22.8	29.1	97	97	21.8	34.6	44.2	132	131 12/16	28.9	45.0	57.8
28	27 8/16	6.2	10.5	14.1	63	62 4/16	14.0	23.1	29.6	98	—	—	—	—	133	132 14/16	29.1	45.3	58.1
29	28 11/16	6.5	10.9	14.5	64	63 6/16	14.5	23.8	30.5	99	98 2/16	22.0	34.9	44.6	134	—	—	—	—
30	29 13/16	6.7	11.2	15.0	65	64 9/16	14.7	24.1	31.0	100	99 5/16	22.2	35.2	45.0	135	134 1/16	29.3	45.5	58.4
31	31	6.9	11.6	15.5	66	65 12/16	14.9	24.4	31.4	101	100 7/16	22.5	35.9	45.9	136	135 3/16	29.5	45.7	58.7
32	—	—	—	—	67	66 14/16	15.1	24.7	31.9	102	101 10/16	22.7	36.2	46.3	137	136 6/16	29.6	45.9	59.1
33	32 2/16	7.1	12.0	16.0	68	—	—	—	—	103	102 12/16	22.9	36.5	46.7	138	137 8/16	30.0	46.3	59.7
34	33 5/16	7.3	12.3	16.5	69	68 1/16	15.3	25.0	32.4	104	103 15/16	23.1	36.8	47.1	139	138 11/16	30.2	46.5	60.0
35	34 7/16	7.8	13.1	17.4	70	69 3/16	15.5	25.4	32.8	105	—	—	—	—	140	139 13/16	30.3	46.8	60.3
36	35 10/16	8.0	13.4	17.9	71	70 6/16	15.8	25.7	33.3	106	105 1/16	23.3	37.1	47.5	141	141	30.5	47.0	60.6
37	36 12/16	8.2	13.8	18.4	72	71 8/16	16.2	26.3	34.2	107	106 4/16	23.5	37.4	48.0	142	—	—	—	—
38	37 15/16	8.4	14.2	18.9	73	72 11/16	16.4	26.6	34.7	108	107 6/16	23.9	38.1	48.8	143	142 2/16	30.7	47.2	61.0
39	—	—	—	—	74	73 13/16	16.6	26.9	35.1	109	108 9/16	24.1	38.4	49.2	144	143 5/16	30.8	47.4	61.3
40	39 1/16	8.7	14.5	19.3	75	75	16.8	27.3	35.5	110	109 12/16	24.3	38.7	49.6					
41	40 4/16	8.9	14.9	19.8	76	—	—	—	—	111	110 14/16	24.5	39.0	50.0					
42	41 6/16	9.3	15.6	20.7	77	76 2/16	17.1	27.6	35.9	112	—	—	—	—					
43	42 9/16	9.6	16.0	21.2	78	77 5/16	17.3	27.9	36.3	113	112 1/16	24.8	39.3	50.4					
44	43 12/16	9.8	16.4	21.7	79	78 7/16	17.7	28.5	37.2	114	113 3/16	25.0	39.6	50.8					
45	44 14/16	10.0	16.7	22.1	80	79 10/16	17.9	28.9	37.6	115	114 6/16	25.2	39.9	51.2					
46	—	—	—	—	81	80 12/16	18.1	29.2	38.0	116	115 8/16	25.6	40.5	52.0					

Power Consumption

Tested at Full Power with PS-UNI Series power supplies.

Standard Nominal Lengths offered provide minimal shadowing. For alternate lengths, please consult Inside Sales with specific request.

High Efficacy (HE48)

Nominal Length (in)	Actual Length	Watts				Nominal Length (in)	Actual Length	Watts				Nominal Length (in)	Actual Length	Watts				Nominal Length (in)	Actual Length	Watts			
		LO	SO	MO	HO			LO	SO	MO	HO			LO	SO	MO	HO			LO	SO	MO	HO
12	10 11/16	1.7	2.5	3.5	5.7	47	46 2/16	6.9	10.7	13.3	24.7	82	81 9/16	12.5	19.9	23.9	42.2	117	-	-	-	-	
13	12 11/16	1.7	2.5	3.5	5.7	48	-	-	-	-	-	83	-	-	-	-	-	118	117	17.5	27.7	34.3	58.7
14	-	-	-	-	-	49	48 2/16	7.1	11.2	13.9	25.4	84	83 9/16	12.8	20.3	24.5	43.1	119	119	17.8	28.1	34.9	59.6
15	14 10/16	2.0	3.0	4.0	7.2	50	-	-	-	-	-	85	-	-	-	-	-	120	-	-	-	-	
16	-	-	-	-	-	51	50 1/16	7.4	11.7	14.5	26.3	86	85 8/16	13.1	20.8	25.1	44.1	121	120 15/16	18.1	28.6	35.5	60.5
17	16 10/16	2.4	3.5	4.6	8.7	52	-	-	-	-	-	87	-	-	-	-	-	122	-	-	-	-	
18	-	-	-	-	-	53	52 1/16	7.7	12.3	15.1	27.4	88	87 8/16	13.4	21.3	25.7	45.0	123	122 15/16	18.3	29.0	36.0	62.1
19	18 9/16	2.7	3.9	5.2	10.2	54	-	-	-	-	-	89	-	-	-	-	-	124	-	-	-	-	
20	-	-	-	-	-	55	54	8.0	12.9	15.7	28.5	90	89 7/16	13.7	21.7	26.3	46.0	125	124 14/16	18.4	29.5	36.6	63.8
21	20 9/16	3.0	4.4	5.8	11.7	56	56	8.4	13.5	16.4	29.5	91	-	-	-	-	-	126	-	-	-	-	
22	-	-	-	-	-	57	-	-	-	-	-	92	91 7/16	14.0	22.1	26.9	47.0	127	126 14/16	18.6	29.9	37.2	65.4
23	22 8/16	3.4	4.9	6.4	13.2	58	57 15/16	8.7	14.0	17.0	30.6	93	-	-	-	-	-	128	-	-	-	-	
24	-	-	-	-	-	59	-	-	-	-	-	94	93 6/16	14.3	22.6	27.5	47.9	129	128 13/16	18.8	30.4	37.7	67.0
25	24 8/16	3.7	5.4	7.0	14.7	60	59 15/16	9.0	14.6	17.6	31.6	95	-	-	-	-	-	130	-	-	-	-	
26	-	-	-	-	-	61	-	-	-	-	-	96	95 6/16	14.4	22.8	27.8	48.4	131	130 13/16	18.9	30.8	38.3	68.6
27	26 7/16	4.1	5.9	7.5	15.8	62	61 14/16	9.4	15.2	18.2	32.6	97	-	-	-	-	-	132	-	-	-	-	
28	-	-	-	-	-	63	-	-	-	-	-	98	97 5/16	14.7	23.3	28.5	49.4	133	132 12/16	19.1	31.2	38.9	70.2
29	28 7/16	4.4	6.4	8.1	16.8	64	63 14/16	9.7	15.6	18.7	33.7	99	-	-	-	-	-	134	-	-	-	-	
30	-	-	-	-	-	65	-	-	-	-	-	100	99 5/16	15.0	23.7	29.0	50.4	135	134 12/16	19.3	31.8	39.4	70.7
31	30 6/16	4.8	6.9	8.7	17.9	66	65 13/16	10.0	16.1	19.2	34.7	101	-	-	-	-	-	136	-	-	-	-	
32	-	-	-	-	-	67	-	-	-	-	-	102	101 4/16	15.3	24.1	29.6	51.3	137	136 11/16	19.5	32.3	40.0	71.2
33	32 6/16	5.0	7.2	9.0	18.5	68	67 13/16	10.4	16.5	19.8	35.7	103	-	-	-	-	-	138	-	-	-	-	
34	-	-	-	-	-	69	-	-	-	-	-	104	103 4/16	15.6	24.6	30.2	52.3	139	138 11/16	19.8	32.8	40.6	71.8
35	34 5/16	5.4	7.7	9.6	19.5	70	69 12/16	10.7	17.0	20.3	36.7	105	-	-	-	-	-	140	-	-	-	-	
36	-	-	-	-	-	71	-	-	-	-	-	106	105 3/16	15.8	25.0	30.7	53.2	141	140 10/16	20.0	33.3	41.1	72.3
37	36 5/16	5.7	8.2	10.2	20.6	72	71 12/16	11.0	17.4	20.8	37.7	107	-	-	-	-	-	142	-	-	-	-	
38	-	-	-	-	-	73	-	-	-	-	-	108	107 3/16	16.1	25.5	31.3	54.2	143	142 10/16	20.2	33.9	41.7	72.8
39	38 4/16	6.0	8.7	10.8	21.5	74	73 11/16	11.3	17.9	21.4	38.7	109	-	-	-	-	-	144	-	-	-	-	
40	-	-	-	-	-	75	-	-	-	-	-	110	109 2/16	16.4	25.9	31.9	55.2						
41	40 4/16	6.2	9.2	11.4	22.3	76	75 11/16	11.6	18.4	22.0	39.6	111	-	-	-	-	-						
42	-	-	-	-	-	77	-	-	-	-	-	112	111 2/16	16.7	26.4	32.5	56.1						
43	42 3/16	6.4	9.7	12.0	23.1	78	77 10/16	11.9	18.9	22.7	40.5	113	-	-	-	-	-						
44	-	-	-	-	-	79	-	-	-	-	-	114	113 1/16	17.0	26.8	33.1	57.0						
45	44 3/16	6.7	10.2	12.6	23.9	80	79 10/16	12.2	19.4	23.3	41.4	115	-	-	-	-	-						
46	-	-	-	-	-	81	-	-	-	-	-	116	115 1/16	17.3	27.3	33.7	57.9						

Power Consumption

Tested at Full Power with PS-UNI Series power supplies.

Standard Nominal Lengths offered provide minimal shadowing. For alternate lengths, please consult Inside Sales with specific request.

High Efficacy (HE64)

Nominal Length (in)	Actual Length	Watts		Nominal Length (in)	Actual Length	Watts		Nominal Length (in)	Actual Length	Watts		Nominal Length (in)	Actual Length	Watts	
		VHO	XHO			VHO	XHO			VHO	XHO			VHO	XHO
12	11 8/16	7.6	9.7	47	46 5/16	28.2	35.9	82	81 2/16	50.4	62.6	117	—	—	—
13	13	7.6	9.7	48	47 13/16	29.5	37.6	83	82 10/16	51.7	63.4	118	117 8/16	72.8	80.7
14	—	—	—	49	—	—	—	84	—	—	—	119	119	73.3	81.0
15	14 8/16	8.9	11.3	50	49 5/16	30.1	38.4	85	84 3/16	52.3	63.8	120	—	—	—
16	—	—	—	51	50 14/16	31.4	40.2	86	85 11/16	53.6	64.7	121	120 8/16	74.4	81.7
17	16	9.5	12.1	52	—	—	—	87	—	—	—	122	—	—	—
18	17 9/16	10.7	13.6	53	52 6/16	32.0	41.1	88	87 3/16	54.2	65.3	123	122	74.8	82.0
19	—	—	—	54	53 14/16	33.3	42.9	89	88 11/16	55.5	66.3	124	123 8/16	75.6	82.5
20	19 1/16	11.4	14.4	55	—	—	—	90	—	—	—	125	—	—	—
21	20 9/16	12.6	16.0	56	55 6/16	34.0	43.8	91	90 3/16	56.2	66.8	126	125 1/16	76.0	82.8
22	—	—	—	57	56 14/16	35.2	45.5	92	91 12/16	57.5	67.9	127	126 9/16	76.8	83.4
23	22 1/16	13.2	16.8	58	—	—	—	93	—	—	—	128	—	—	—
24	23 9/16	14.5	18.3	59	58 7/16	36.5	47.3	94	93 4/16	58.2	68.4	129	128 1/16	77.2	83.6
25	—	—	—	60	59 15/16	37.2	48.2	95	94 12/16	59.5	69.5	130	129 9/16	78.0	84.2
26	25 2/16	15.1	19.1	61	—	—	—	96	—	—	—	131	—	—	—
27	26 10/16	16.4	20.7	62	61 7/16	38.4	50.0	97	96 4/16	60.1	70.0	132	131 2/16	78.4	84.5
28	—	—	—	63	62 15/16	39.1	50.8	98	97 13/16	61.4	71.1	133	132 10/16	79.2	85.0
29	28 2/16	17.0	21.4	64	—	—	—	99	—	—	—	134	—	—	—
30	29 10/16	18.2	23.0	65	64 8/16	40.4	52.5	100	99 5/16	62.0	71.7	135	134 2/16	79.6	85.4
31	—	—	—	66	66	41.0	53.4	101	100 13/16	63.2	72.9	136	135 10/16	80.3	86.2
32	31 3/16	18.9	23.8	67	—	—	—	102	—	—	—	137	—	—	—
33	32 11/16	20.1	25.3	68	67 8/16	42.3	55.1	103	102 5/16	63.8	73.5	138	137 2/16	80.6	86.6
34	—	—	—	69	—	—	—	104	103 13/16	65.0	74.7	139	138 11/16	81.3	87.5
35	34 3/16	20.7	26.1	70	69	42.9	55.9	105	—	—	—	140	—	—	—
36	35 11/16	22.0	27.6	71	70 8/16	44.2	57.6	106	105 6/16	65.6	75.3	141	140 3/16	81.7	87.9
37	—	—	—	72	—	—	—	107	106 14/16	66.8	76.5	142	141 11/16	82.4	88.7
38	37 3/16	22.6	28.4	73	72 1/16	44.9	58.5	108	—	—	—	143	—	—	—
39	38 12/16	23.9	30.1	74	73 9/16	46.1	59.7	109	108 6/16	67.4	77.1	144	143 3/16	82.7	89.1
40	—	—	—	75	—	—	—	110	109 14/16	68.5	78.0				
41	40 4/16	24.5	30.9	76	75 1/16	46.7	60.1	111	—	—	—				
42	41 12/16	25.7	32.6	77	76 9/16	48.0	60.9	112	111 7/16	69.6	78.7				
43	—	—	—	78	—	—	—	113	112 15/16	70.1	79.0				
44	43 4/16	26.4	33.4	79	78 2/16	48.6	61.3	114	—	—	—				
45	44 13/16	27.6	35.1	80	79 10/16	49.8	62.2	115	114 7/16	71.2	79.7				
46	—	—	—	81	—	—	—	116	115 15/16	71.7	80.0				

Power Supplies

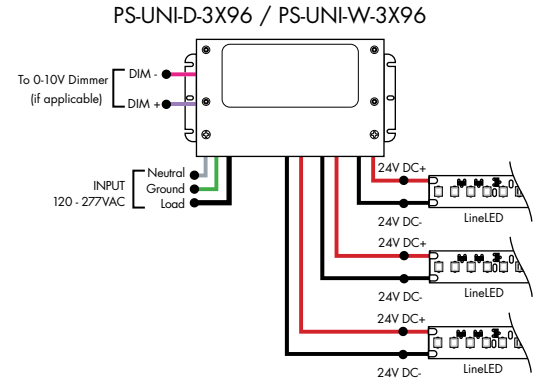
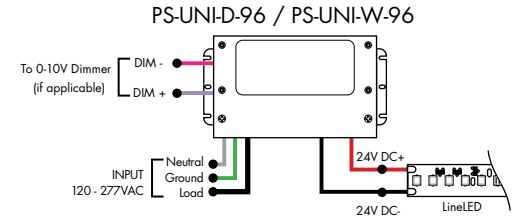
See Power Supply instructions and spec sheet for wiring information. For a complete list of compatible dimmers, see Compatible Dimming Chart on the Resources page.

Ordering Code Universal Dimming Power Supplies 1% 120VAC - 277VAC

MODEL	INPUT CONTROL	ENVIRONMENT	WATTAGE	OUTPUT
PS-Power Supply, 120-277VAC	UNI-0-10V Dimming, Phase Dimming	D-Dry W-Wet	30-30 Watts 60-60 Watts 96-96 Watts 3x96-3x96 Watts	24-24 VDC

Compatibility: View a complete list of compatible dimmers on product page [\(Link\)](#)

0-10V - 1% dimming
MLV/ELV/TRIAC - 1% dimming, consult dimming compatibility chart



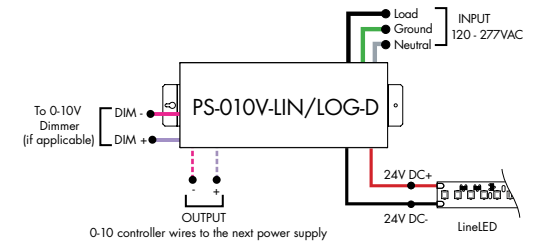
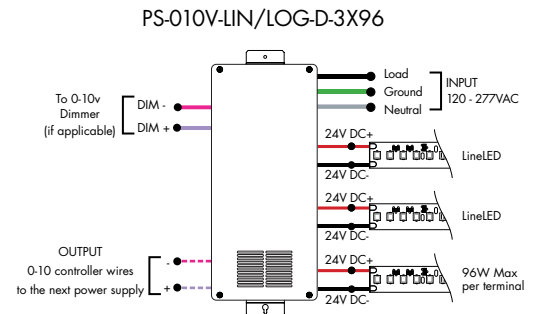
MODELS	PS-UNI-W-30W	PS-UNI-W-60W	PS-UNI-W-96W	PS-UNI-W-3X96W
Length	6.50"	7.40"	8.66"	11.85"
Width	3.73"	3.73"	3.73"	4.32"
Depth	1.61"	1.61"	1.61"	1.81"

MODELS	PS-UNI-D-30W	PS-UNI-D-60W	PS-UNI-D-96W	PS-UNI-D-3X96W
Length	8.77"	8.77"	8.11"	9.94"
Width	4.27"	4.27"	5.60"	7.61"
Depth	1.83"	1.83"	1.83"	2.02"

Ordering Code 0-10V Dimming Power Supplies 0.1% 120VAC - 277VAC

MODEL	INPUT CONTROL	ENVIRONMENT	WATTAGE	OUTPUT
PS-Power Supply, 120-277VAC	010V-LIN-0-10V Dimming (0.1%), Linear 010V-LOG-0-10V Dimming (0.1%), Logarithmic	D-Dry	96-96 Watts 3X96-3x96 Watts	24-24 VDC

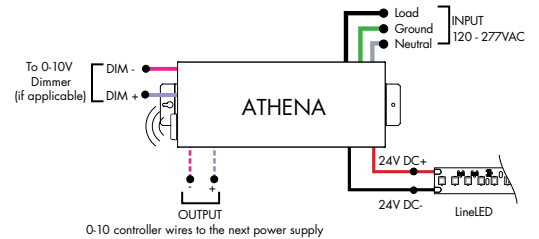
MODELS	96W	3X96
Length	14.40"	15.00"
Width	5.20"	6.62"
Depth	2.60"	4.45"



Athena 0-10V LED Driver

MODEL	INPUT CONTROL	ENVIRONMENT	WATTAGE	OUTPUT	FEATURE
PS-Power Supply, 120-277VAC	010V-LIN-0-10V Dimming, Linear 010V-LOG-0-10V Dimming, Logarithmic	D-Dry	96-96 W	24-24 VDC	AWNR-Athena

MODELS	96W
Length	14.40"
Width	5.20"
Depth	2.60"



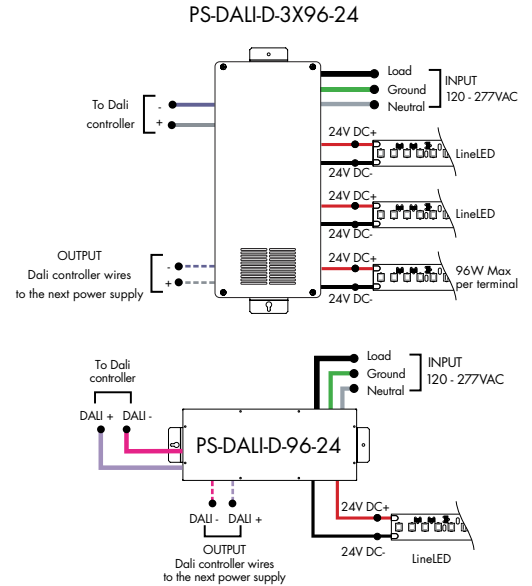
Power Supplies

See Power Supply instructions and spec sheet for wiring information. For a complete list of compatible dimmers, see Compatible Dimming Chart on the Resources page.

Ordering Code DALI1 Dimming Power Supplies 0.1% 120VAC - 277VAC

MODEL	INPUT CONTROL	ENVIRONMENT	WATTAGE	OUTPUT
PS-Power Supply, 120-277VAC	DALI-DALI (0.1%)	D-Dry	96-96 Watts 3X96-3X96 Watts	24-24 VDC

Model	96W	3X96
Length	14.40"	15.00"
Width	5.20"	6.62"
Depth	2.60"	4.56"

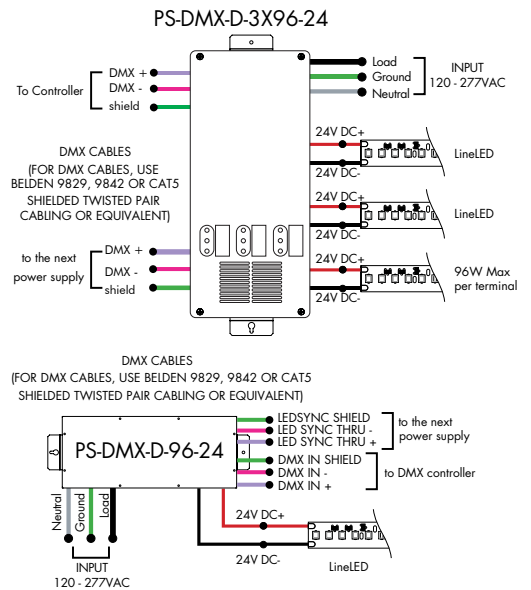


Ordering Code DMX Dimming Power Supplies 0.1% 120VAC - 277VAC Requires Zonal Control

MODEL	INPUT CONTROL	ENVIRONMENT	WATTAGE	OUTPUT
PS-Power Supply, 120-277VAC	DMX-DMX (0.1%)	D-Dry	96-96 Watts 3X96-3X96 Watts	24-24 VDC

*Zonal control power supplies. Control multiple tapes/zones using DMX channels.

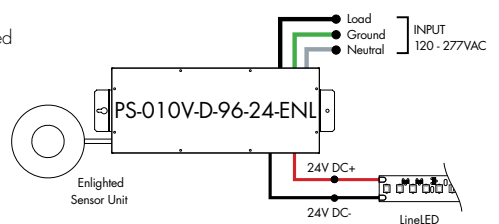
MODELS	96W	3X96
Length	14.40"	15.00"
Width	5.20"	6.62"
Depth	2.60"	4.56"



Ordering Code Enlightened Enabled Dimming Power Supplies 1% 120VAC - 277VAC

MODEL	INPUT CONTROL	ENVIRONMENT	WATTAGE	OUTPUT	FEATURE
PS-Power Supply, 120-277VAC	010V-0-10V Dimming (1%)	D-Dry	96-96 Watts	24-24 VDC	ENL-0-10V Enlightened

Model	96W
Length	14.40"
Width	5.20"
Depth	2.60"

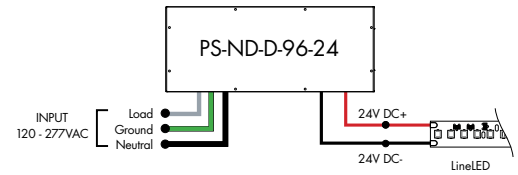


Power Supplies

See Power Supply instructions and spec sheet for wiring information. For a complete list of compatible dimmers, see Compatible Dimming Chart on the Resources page.

Ordering Code Non-Dimming Power Supply 120VAC - 277VAC

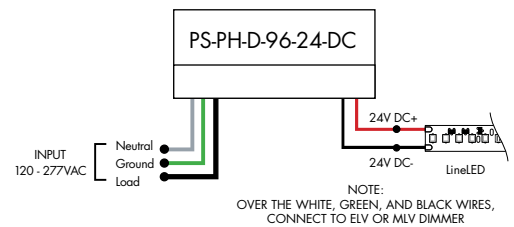
MODEL	INPUT CONTROL	ENVIRONMENT	WATTAGE	OUTPUT
PS - Power Supply, 120-277VAC	ND - Non Dimming	D - Dry	96-96 Watts	24 - 24 VDC



MODELS	96W
Length	14.40"
Width	5.20"
Depth	2.60"

Ordering Code Phase Dimming Power Supply 1% 120VAC - 277VAC

MODEL	INPUT CONTROL	ENVIRONMENT	WATTAGE	OUTPUT	OUTPUT CONTROL
PS - Power Supply, 120-277VAC	PH - Phase Dimming (Triac, ELV, MLV)	D - Dry	96-96 Watts	24-24 VDC	DC - Direct Current



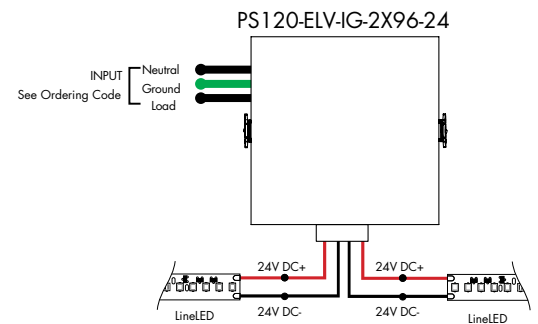
MLV/ELV/TRIAC - 1% dimming, consult dimming compatibility chart ([Link](#))

MODELS	96W
Length	8.25"
Width	4.10"
Depth	1.56"

Ordering Code In-Ground Power Supplies

MODEL	INPUT CONTROL	ENVIRONMENT	WATTAGE	OUTPUT
PS120 - Power Supply, 120VAC PS240 - Power Supply, 240VAC PS277 - Power Supply, 277VAC	ELV - ELV Dimming (1%)	IG - In Ground	2X96-2X96 Watts	24-24 VDC

MODELS	2X96W
Length	8.40"
Width	8.30"
Depth	8.10"



Power Supplies

See Power Supply instructions and spec sheet for wiring information. For a complete list of compatible dimmers, see Compatible Dimming Chart on the Resources page.



Luminii is a Lutron OEM Advantage Partner

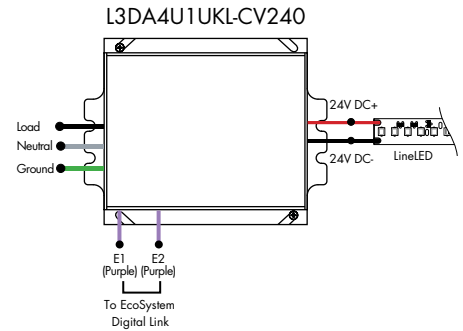
Lutron Power Supplies 1%

MODEL

L3DA4U1UKL-CV240

HiLume™ 1% EcoSystem Voltage LED driver
40W max

MODELS	L3DA4U1UKL-CV240
Length	4.98"
Width	4.00"
Depth	2.62"



Luminii is a Lutron OEM Advantage Partner

Lutron Power Supplies 0.1%

MODEL

L3D0-96W24V-U

HiLume™ 0.1% EcoSystem Voltage LED Driver with Soft-On, Fade-to-Black™
96W max

MODELS	L3D0
Length	10.50"
Width	5.50"
Depth	2.00"

