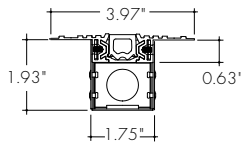


**Features**

- Recesses into 5/8" drywall
- Seamless lens up to 100' long
- Factory built precision Inside and Outside Corners
- Painted Eggshell RAL 9010 with primer to accept field painting
- Proprietary strong bond solder method handles up to 50 lbs of pull force on wire leads and connectors
- High Color Quality options offer premium quality and vibrant colors with R9 values up to 97
- High Efficacy options offer best in class output and efficacy with over 390 lm/ft and up to 55 lm/W
- Average Life (L70): 50,000hrs
- 7 year warranty



**Technical Information**

TYPE	High Color Quality			High Efficacy				High Efficacy
	72SO	72HO	72VHO	HE48LO	HE48SO	HE48MO	HE48HO	HE64VHO
<b>OUTPUT OPTIONS</b>								
Lumens Output (3000K) <small>(with a Frosted Lens)</small>	107 lm/ft	174 lm/ft	211 lm/ft	104 lm/ft	144 lm/ft	193 lm/ft	309 lm/ft	391 lm/ft
Average Power Consumption <small>(for a 4' section)</small>	2.8 W/ft	4.8 W/ft	6 W/ft	1.9 W/ft	2.8 W/ft	3.5 W/ft	6.5 W/ft	7.5 W/ft
Efficacy	38 lm/W	36 lm/W	35 lm/W	55 lm/W	51 lm/W	55 lm/W	48 lm/W	52 lm/W
Max Run Length <small>(in series)</small>	40 ft	31 ft	22 ft	48 ft	42 ft	33 ft	21 ft	15 ft
*Ambient Operating Temperature Range	-5°F - 125°F <small>(-20°C - 50°C)</small>			-5°F - 125°F <small>(-20°C - 50°C)</small>				-5°F - 125°F <small>(-20°C - 50°C)</small>

\*Ambient Operating Temperature Range to maintain L70 of 50k+ hours in normal mounting conditions for the fixture. Exceeding Max Ambient Temperature may result in decreased life/output. Consult Technical Support for specific inquiries.

**High Color Quality (72)**

CCT	Multiplier <small>(reference - 3000K)</small>	TM-30			
		CRI	R <sub>f</sub>	R <sub>g</sub>	R <sub>9</sub>
1900K	0.55	96	94	97	90
2200K	0.70	96	95	101	89
2400K	0.72	98	97	101	91
2700K	0.74	97	96	101	91
3000K	1.00	97	95	104	97
3500K	1.02	97	94	105	97
4100K	1.07	97	90	99	97

**High Efficacy (HE48/HE64)**

CCT	Multiplier <small>(reference - 3000K)</small>	TM-30			
		CRI	R <sub>f</sub>	R <sub>g</sub>	R <sub>9</sub>
2200K	0.73	92	91	97	42
2500K	0.81	93	96	96	62
2700K	0.94	92	90	99	58
3000K	1.00	92	89	99	57
3500K	1.02	92	89	99	60
4000K	1.02	92	86	94	71

**Ordering Code**

MODEL	LENGTH <sup>1</sup>	OUTPUT <sup>2</sup>	CCT	LENS	MOUNTING	LEFT END CAP	RIGHT END CAP	POWER FEED LEFT END <sup>3,4</sup>	POWER FEED RIGHT END <sup>3,4</sup>
SL-Slot	12"-92" 1" increments	72SO-Standard 72HO-High 72VHO-Very High	19K-1900K 22K-2200K 24K-2400K 27K-2700K 30K-3000K 35K-3500K 41K-4100K	F - Frosted Silicone lens	GDS - Gypsum Drywall Surface	LE - Endcap Left End LN - No Endcap Left End	RE - Endcap Right End RN - No Endcap Right End	LPB - Left Power Feed, Plenum rated 72" wires LJB - Left Power Feed, Junction Box	RNPF - No Power Feed Right RPB - Right Power Feed, Plenum rated 72" wires RJB - Right Power Feed, Junction Box
	12"-92" 2" increments	HE48LO-Low HE48SO-Standard HE48MO-Medium HE48HO-High HE64VHO-Very High	22K-2200K 25K-2500K 27K-2700K 30K-3000K 35K-3500K 40K-4000K			LN - No Endcap Left End	RN - No Endcap Right End	LPB - Left Power Feed, Plenum rated 72" wires LJB - Left Power Feed, Junction Box	RNPF - No Power Feed Right RPB - Right Power Feed, Plenum rated 72" wires RJB - Right Power Feed, Junction Box

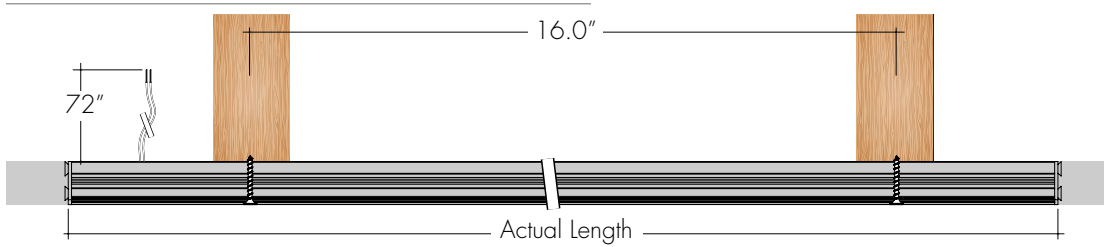
1 - Custom lengths and increments are available, please consult Inside Sales with specific request.  
 2 - All High Efficacy options can be used to comply with Title 24 JAB. High Color Quality options can be used to comply with Title 24 JAB depending on Output, CCT, and lens selections. See multiplier charts to calculate specific efficacies.

3 - Wire leads are plenum rated and 72" long. Junction Box comes with 24" non-plenum rated wire.  
 4 - NOTE: Each Slot fixture/section requires it's own home run to a power supply. They cannot be electrically connected together.

**Powerfeed options for Straight Fixtures**

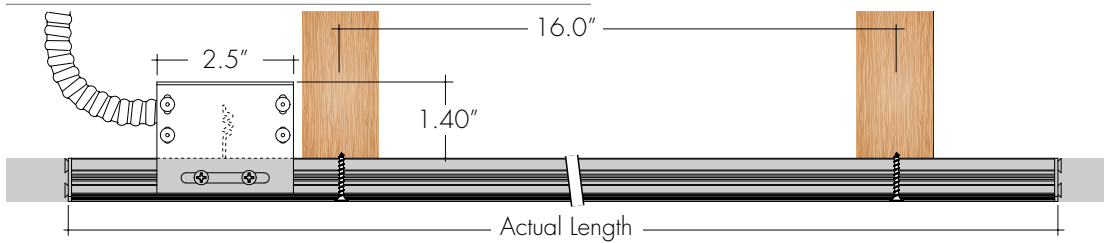
**SL-XX-LE-RE-LPB-RNPF**

Wire leads, plenum rated CL3R cable on Straight Fixture



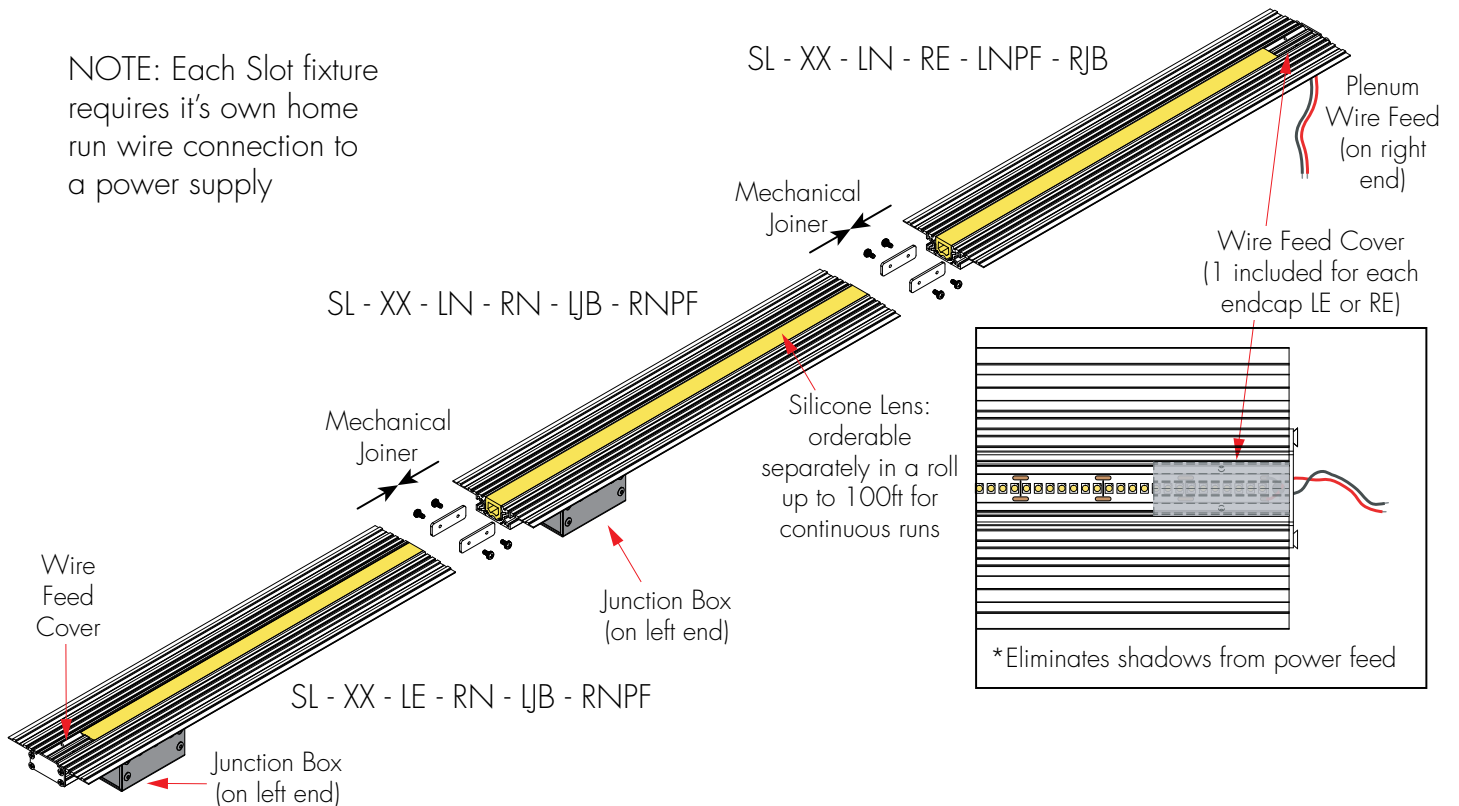
**SL-XX-LE-RE-LJB-RNPF**

One integrated junction box centered on Straight fixture

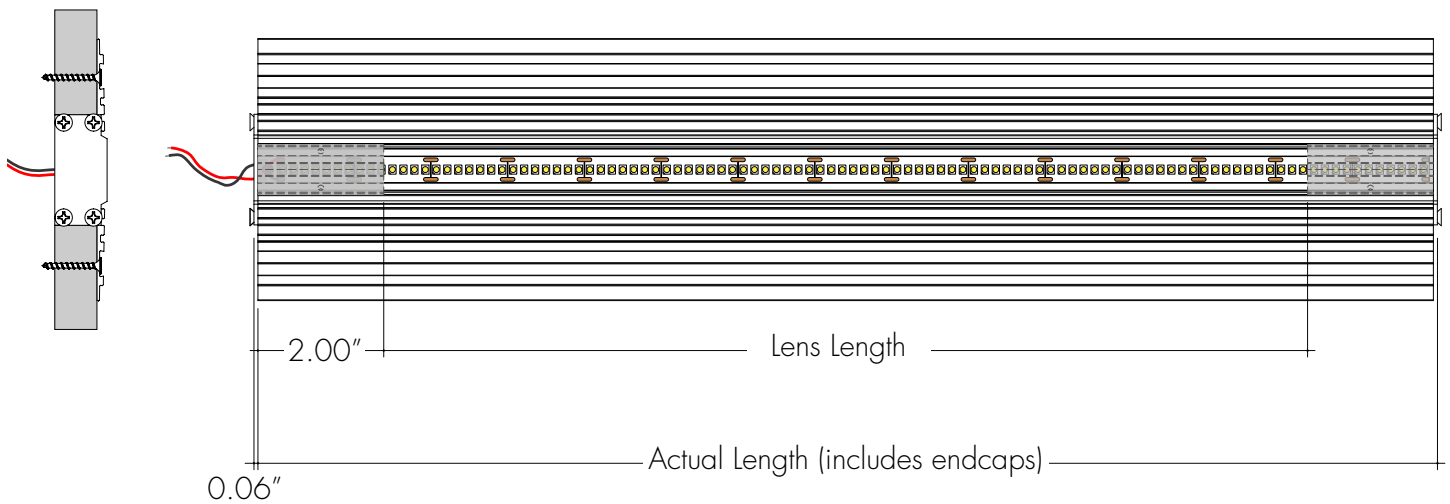
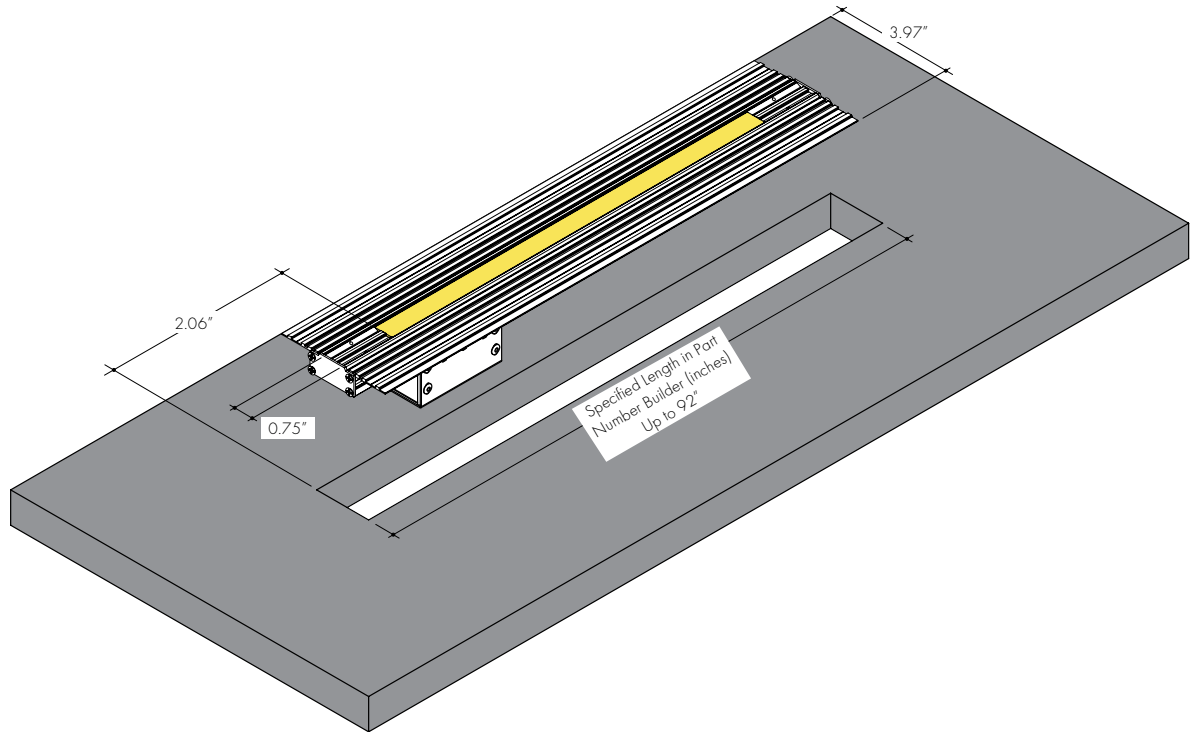
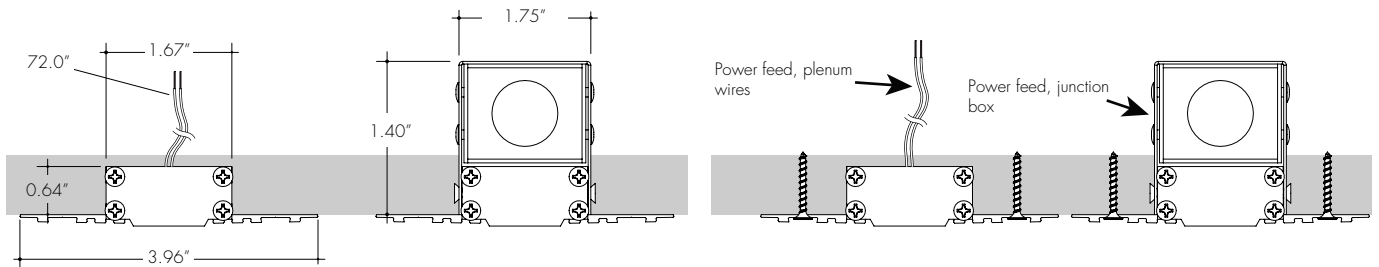


**Sample Layout**

NOTE: Each Slot fixture requires it's own home run wire connection to a power supply

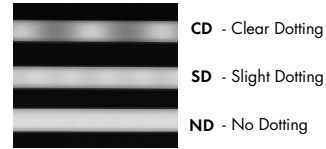


Product Dimensions



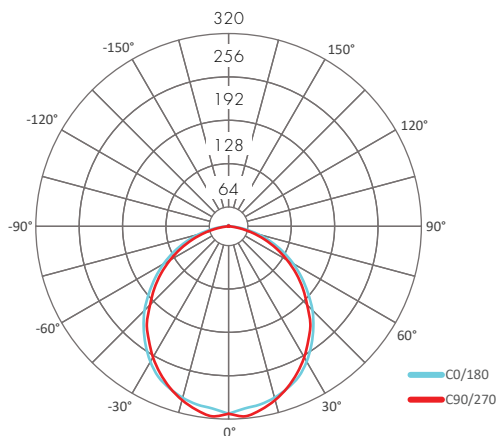
Light Transmission and Dotting

Output Options	Lens/Accessory			
	Frosted			
Dimming Level	100%	50%	10%	1%
72SO	ND	ND	ND	ND
72HO	ND	ND	ND	ND
72VHO	ND	ND	ND	ND
HE48LO	ND	ND	SD	SD
HE48SO	ND	ND	SD	SD
HE48MO	ND	ND	SD	SD
HE48HO	ND	ND	SD	SD
HE64VHO	ND	ND	ND	ND
<b>Transmission Percentage</b>	100%			



Photometry

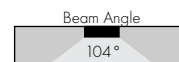
SL-48-72VHO-30K-F  
Slot, 4ft, 3000K, VHO, Frosted Lens



Zonal Lumen Summary 3000K

Zone	Lumen	% Fixture
0-30	240	28.4%
0-40	389	46.1%
0-60	672	79.6%
0-90	837	99.1%
0-180	845	100%

Total



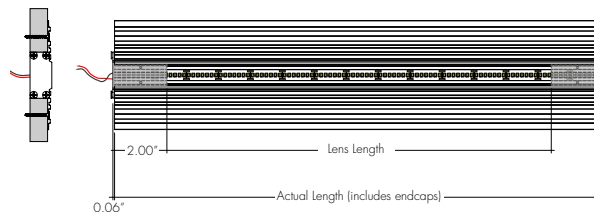
**Power Consumption**

Tested at Full Power with PS-UNI Series power supplies.

Standard Nominal Lengths offered provide minimal shadowing. For alternate lengths, please consult Inside Sales specific request.

**High Color Quality (72)**

Nominal Length (in)	Actual Length	Watts			Nominal Length (in)	Actual Length	Watts			Nominal Length (in)	Actual Length	Watts		
		SO	HO	VHO			SO	HO	VHO			SO	HO	VHO
<b>12</b>	10 14/16	2.7	4.4	6.2	<b>47</b>	46 13/16	10.0	16.7	22.1	<b>82</b>	81 9/16	17.9	28.9	37.6
<b>13</b>	12 1/16	2.7	4.4	6.2	<b>48</b>	47 15/16	10.2	17.1	22.6	<b>83</b>	82 11/16	18.1	29.2	38.0
<b>14</b>	13 4/16	2.7	4.4	6.2	<b>49</b>	—	—	—	—	<b>84</b>	83 14/16	18.3	29.5	38.4
<b>15</b>	14 6/16	2.7	4.4	6.2	<b>50</b>	49 2/16	10.5	17.4	23.1	<b>85</b>	—	—	—	—
<b>16</b>	15 9/16	2.9	4.8	6.7	<b>51</b>	50 4/16	10.7	17.8	23.5	<b>86</b>	85	18.5	29.8	38.8
<b>17</b>	16 11/16	3.1	5.2	7.3	<b>52</b>	51 7/16	11.1	18.6	24.4	<b>87</b>	86 3/16	18.7	30.1	39.2
<b>18</b>	17 14/16	3.4	5.6	7.8	<b>53</b>	52 9/16	11.4	18.9	24.9	<b>88</b>	87 5/16	19.2	30.8	40.0
<b>19</b>	—	—	—	—	<b>54</b>	53 12/16	11.6	19.3	25.3	<b>89</b>	88 8/16	19.4	31.1	40.4
<b>20</b>	19	3.6	6.0	8.3	<b>55</b>	54 15/16	11.9	19.7	25.7	<b>90</b>	89 10/16	19.6	31.5	40.8
<b>21</b>	20 3/16	3.9	6.5	8.9	<b>56</b>	—	—	—	—	<b>91</b>	90 13/16	19.9	31.8	41.1
<b>22</b>	21 5/16	4.4	7.3	9.9	<b>57</b>	56 1/16	12.1	20.1	26.1	<b>92</b>	91 15/16	20.1	32.2	41.5
<b>23</b>	22 8/16	4.6	7.7	10.5	<b>58</b>	57 4/16	12.3	20.5	26.6	<b>93</b>	—	—	—	—
<b>24</b>	23 10/16	4.8	8.1	11.0	<b>59</b>	58 6/16	12.8	21.3	27.4	<b>94</b>	93 2/16	20.4	32.5	41.9
<b>25</b>	24 13/16	5.1	8.6	11.5	<b>60</b>	59 9/16	13.1	21.6	27.8	<b>95</b>	94 4/16	20.6	32.9	42.3
<b>26</b>	25 15/16	5.3	9.0	12.1	<b>61</b>	60 11/16	13.3	22.0	28.3	<b>96</b>	95 7/16	21.1	33.6	43.1
<b>27</b>	—	—	—	—	<b>62</b>	61 14/16	13.6	22.4	28.7					
<b>28</b>	27 2/16	5.6	9.4	12.6	<b>63</b>	—	—	—	—					
<b>29</b>	28 4/16	5.8	9.8	13.1	<b>64</b>	63	13.8	22.8	29.1					
<b>30</b>	29 7/16	6.2	10.5	14.1	<b>65</b>	64 3/16	14.0	23.1	29.6					
<b>31</b>	30 9/16	6.5	10.9	14.5	<b>66</b>	65 5/16	14.5	23.8	30.5					
<b>32</b>	31 12/16	6.7	11.2	15.0	<b>67</b>	66 8/16	14.7	24.1	31.0					
<b>33</b>	32 15/16	6.9	11.6	15.5	<b>68</b>	67 10/16	14.9	24.4	31.4					
<b>34</b>	—	—	—	—	<b>69</b>	68 13/16	15.1	24.7	31.9					
<b>35</b>	34 1/16	7.1	12.0	16.0	<b>70</b>	69 15/16	15.3	25.0	32.4					
<b>36</b>	35 4/16	7.3	12.3	16.5	<b>71</b>	—	—	—	—					
<b>37</b>	36 6/16	7.8	13.1	17.4	<b>72</b>	71 2/16	15.5	25.4	32.8					
<b>38</b>	37 9/16	8.0	13.4	17.9	<b>73</b>	72 4/16	15.8	25.7	33.3					
<b>39</b>	38 11/16	8.2	13.8	18.4	<b>74</b>	73 7/16	16.2	26.3	34.2					
<b>40</b>	39 14/16	8.4	14.2	18.9	<b>75</b>	74 9/16	16.4	26.6	34.7					
<b>41</b>	—	—	—	—	<b>76</b>	75 12/16	16.6	26.9	35.1					
<b>42</b>	41	8.7	14.5	19.3	<b>77</b>	76 15/16	16.8	27.3	35.5					
<b>43</b>	42 3/16	8.9	14.9	19.8	<b>78</b>	—	—	—	—					
<b>44</b>	43 5/16	9.3	15.6	20.7	<b>79</b>	78 1/16	17.1	27.6	35.9					
<b>45</b>	44 8/16	9.6	16.0	21.2	<b>80</b>	79 4/16	17.3	27.9	36.3					
<b>46</b>	45 10/16	9.8	16.4	21.7	<b>81</b>	80 6/16	17.7	28.5	37.2					



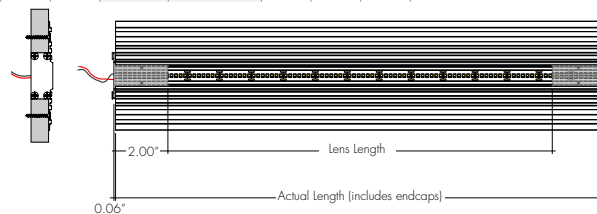
**Power Consumption**

Tested at Full Power with PS-UNI Series power supplies.

Standard Nominal Lengths offered provide minimal shadowing. For alternate lengths, please consult Inside Sales specific request.

**High Efficacy (HE48)**

Nominal Length (in)	Actual Length	Watts				Nominal Length (in)	Actual Length	Watts				Nominal Length (in)	Actual Length	Watts			
		LO	SO	MO	HO			LO	SO	MO	HO			LO	SO	MO	HO
<b>12</b>	10 11/16	1.7	2.5	3.5	5.7	<b>47</b>	46 2/16	6.7	10.2	12.6	23.9	<b>82</b>	81 9/16	12.2	19.4	23.3	41.4
<b>13</b>	12 10/16	1.7	2.5	3.5	5.7	<b>48</b>	-	-	-	-	-	<b>83</b>	-	-	-	-	-
<b>14</b>	-	-	-	-	-	<b>49</b>	48 1/16	6.9	10.7	13.3	24.7	<b>84</b>	83 8/16	12.5	19.9	23.9	42.2
<b>15</b>	14 10/16	1.7	2.5	3.5	5.7	<b>50</b>	-	-	-	-	-	<b>85</b>	-	-	-	-	-
<b>16</b>	-	-	-	-	-	<b>51</b>	50 1/16	7.1	11.2	13.9	25.4	<b>86</b>	85 8/16	12.8	20.3	24.5	43.1
<b>17</b>	16 9/16	2.0	3.0	4.0	7.2	<b>52</b>	-	-	-	-	-	<b>87</b>	-	-	-	-	-
<b>18</b>	-	-	-	-	-	<b>53</b>	52	7.4	11.7	14.5	26.3	<b>88</b>	87 7/16	13.1	20.8	25.1	44.1
<b>19</b>	18 9/16	2.4	3.5	4.6	8.7	<b>54</b>	54	7.7	12.3	15.1	27.4	<b>89</b>	-	-	-	-	-
<b>20</b>	-	-	-	-	-	<b>55</b>	-	-	-	-	-	<b>90</b>	89 7/16	13.4	21.3	25.7	45.0
<b>21</b>	20 8/16	2.7	3.9	5.2	10.2	<b>56</b>	55 15/16	8.0	12.9	15.7	28.5	<b>91</b>	-	-	-	-	-
<b>22</b>	-	-	-	-	-	<b>57</b>	-	-	-	-	-	<b>92</b>	91 6/16	13.7	21.7	26.3	46.0
<b>23</b>	22 8/16	3.0	4.4	5.8	11.7	<b>58</b>	57 15/16	8.4	13.5	16.4	29.5	<b>93</b>	-	-	-	-	-
<b>24</b>	-	-	-	-	-	<b>59</b>	-	-	-	-	-	<b>94</b>	93 6/16	14.0	22.1	26.9	47.0
<b>25</b>	24 7/16	3.4	4.9	6.4	13.2	<b>60</b>	59 14/16	8.7	14.0	17.0	30.6	<b>95</b>	-	-	-	-	-
<b>26</b>	-	-	-	-	-	<b>61</b>	-	-	-	-	-	<b>96</b>	95 5/16	14.3	22.6	27.5	47.9
<b>27</b>	26 7/16	3.7	5.4	7.0	14.7	<b>62</b>	61 14/16	9.0	14.6	17.6	31.6						
<b>28</b>	-	-	-	-	-	<b>63</b>	-	-	-	-	-						
<b>29</b>	28 6/16	4.1	5.9	7.5	15.8	<b>64</b>	63 13/16	9.4	15.2	18.2	32.6						
<b>30</b>	-	-	-	-	-	<b>65</b>	-	-	-	-	-						
<b>31</b>	30 6/16	4.4	6.4	8.1	16.8	<b>66</b>	65 13/16	9.7	15.6	18.7	33.7						
<b>32</b>	-	-	-	-	-	<b>67</b>	-	-	-	-	-						
<b>33</b>	32 5/16	4.8	6.9	8.7	17.9	<b>68</b>	67 12/16	10.0	16.1	19.2	34.7						
<b>34</b>	-	-	-	-	-	<b>69</b>	-	-	-	-	-						
<b>35</b>	34 5/16	5.0	7.2	9.0	18.5	<b>70</b>	69 12/16	10.4	16.5	19.8	35.7						
<b>36</b>	-	-	-	-	-	<b>71</b>	-	-	-	-	-						
<b>37</b>	36 4/16	5.4	7.7	9.6	19.5	<b>72</b>	71 11/16	10.7	17.0	20.3	36.7						
<b>38</b>	-	-	-	-	-	<b>73</b>	-	-	-	-	-						
<b>39</b>	38 4/16	5.7	8.2	10.2	20.6	<b>74</b>	73 11/16	11.0	17.4	20.8	37.7						
<b>40</b>	-	-	-	-	-	<b>75</b>	-	-	-	-	-						
<b>41</b>	40 3/16	6.0	8.7	10.8	21.5	<b>76</b>	75 10/16	11.3	17.9	21.4	38.7						
<b>42</b>	-	-	-	-	-	<b>77</b>	-	-	-	-	-						
<b>43</b>	42 3/16	6.2	9.2	11.4	22.3	<b>78</b>	77 10/16	11.6	18.4	22.0	39.6						
<b>44</b>	-	-	-	-	-	<b>79</b>	-	-	-	-	-						
<b>45</b>	44 2/16	6.4	9.7	12.0	23.1	<b>80</b>	79 9/16	11.9	18.9	22.7	40.5						
<b>46</b>	-	-	-	-	-	<b>81</b>	-	-	-	-	-						



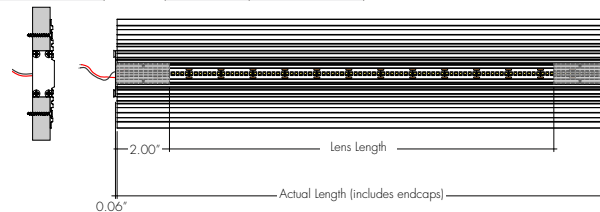
**Power Consumption**

Tested at Full Power with PS-UNI Series power supplies.

Standard Nominal Lengths offered provide minimal shadowing. For alternate lengths, please consult Inside Sales specific request.

**High Efficacy (HE64)**

Nominal Length (in)	Actual Length	Watts	Nominal Length (in)	Actual Length	Watts	Nominal Length (in)	Actual Length	Watts
		VHO			VHO			VHO
<b>12</b>	11 14/16	7.6	<b>47</b>	46 11/16	27.6	<b>82</b>	81 9/16	49.8
<b>13</b>	–	–	<b>48</b>	–	–	<b>83</b>	–	–
<b>14</b>	13 6/16	7.6	<b>49</b>	48 4/16	28.2	<b>84</b>	83 1/16	50.4
<b>15</b>	14 15/16	7.6	<b>50</b>	49 12/16	29.5	<b>85</b>	84 9/16	51.7
<b>16</b>	–	–	<b>51</b>	–	–	<b>86</b>	–	–
<b>17</b>	16 7/16	8.9	<b>52</b>	51 4/16	30.1	<b>87</b>	86 1/16	52.3
<b>18</b>	17 15/16	9.5	<b>53</b>	52 12/16	31.4	<b>88</b>	87 10/16	53.6
<b>19</b>	–	–	<b>54</b>	–	–	<b>89</b>	–	–
<b>20</b>	19 7/16	10.7	<b>55</b>	54 5/16	32.0	<b>90</b>	89 2/16	54.2
<b>21</b>	21	11.4	<b>56</b>	55 13/16	33.3	<b>91</b>	90 10/16	55.5
<b>22</b>	–	–	<b>57</b>	–	–	<b>92</b>	–	–
<b>23</b>	22 8/16	12.6	<b>58</b>	57 5/16	34.0	<b>93</b>	92 2/16	56.2
<b>24</b>	24	13.2	<b>59</b>	58 13/16	35.2	<b>94</b>	93 10/16	57.5
<b>25</b>	–	–	<b>60</b>	–	–	<b>95</b>	–	–
<b>26</b>	25 8/16	14.5	<b>61</b>	60 5/16	36.5	<b>96</b>	95 3/16	58.2
<b>27</b>	–	–	<b>62</b>	61 14/16	37.2			
<b>28</b>	27	15.1	<b>63</b>	–	–			
<b>29</b>	28 9/16	16.4	<b>64</b>	63 6/16	38.4			
<b>30</b>	–	–	<b>65</b>	64 14/16	39.1			
<b>31</b>	30 1/16	17.0	<b>66</b>	–	–			
<b>32</b>	31 9/16	18.2	<b>67</b>	66 6/16	40.4			
<b>33</b>	–	–	<b>68</b>	67 15/16	41.0			
<b>34</b>	33 1/16	18.9	<b>69</b>	–	–			
<b>35</b>	34 10/16	20.1	<b>70</b>	69 7/16	42.3			
<b>36</b>	–	–	<b>71</b>	70 15/16	42.9			
<b>37</b>	36 2/16	20.7	<b>72</b>	–	–			
<b>38</b>	37 10/16	22.0	<b>73</b>	72 7/16	44.2			
<b>39</b>	–	–	<b>74</b>	74	44.9			
<b>40</b>	39 2/16	22.6	<b>75</b>	–	–			
<b>41</b>	40 10/16	23.9	<b>76</b>	75 8/16	46.1			
<b>42</b>	–	–	<b>77</b>	77	46.7			
<b>43</b>	42 3/16	24.5	<b>78</b>	–	–			
<b>44</b>	43 11/16	25.7	<b>79</b>	78 8/16	48.0			
<b>45</b>	–	–	<b>80</b>	–	–			
<b>46</b>	45 3/16	26.4	<b>81</b>	80	48.6			



## Voltage Drop Calculator

The below chart assumes nominal voltage of 24 Volts and a Voltage Drop Allowance of 3% through the wire

Wattage [W]	Wire Length From Power Supply to Start of Run [ft]						
	12 AWG	14 AWG	16 AWG	18 AWG	20 AWG	22 AWG	24 AWG
<b>5</b>	1088.2	684.4	430.3	270.6	170.2	107.1	67.3
<b>10</b>	544.1	342.2	215.1	135.3	85.1	53.5	33.7
<b>15</b>	362.7	228.1	143.4	90.2	56.7	35.7	22.4
<b>20</b>	272.0	171.1	107.6	67.7	42.6	26.8	16.8
<b>25</b>	217.6	136.9	86.1	54.1	34.0	21.4	13.5
<b>30</b>	181.4	114.1	71.7	45.1	28.4	17.8	11.2
<b>35</b>	155.5	97.8	61.5	38.7	24.3	15.3	9.6
<b>40</b>	136.0	85.5	53.8	33.8	21.3	13.4	8.4
<b>45</b>	120.9	76.0	47.8	30.1	18.9	11.9	7.5
<b>50</b>	108.8	68.4	43.0	27.1	17.0	10.7	6.7
<b>55</b>	98.9	62.2	39.1	24.6	15.5	9.7	6.1
<b>60</b>	90.7	57.0	35.9	22.6	14.2	8.9	5.6
<b>65</b>	83.7	52.6	33.1	20.8	13.1	8.2	5.2
<b>70</b>	77.7	48.9	30.7	19.3	12.2	7.6	4.8
<b>75</b>	72.5	45.6	28.7	18.0	11.3	7.1	4.5
<b>80</b>	68.0	42.8	26.9	16.9	10.6	6.7	4.2
<b>85</b>	64.0	40.3	25.3	15.9	10.0	6.3	4.0
<b>90</b>	60.5	38.0	23.9	15.0	9.5	5.9	3.7
<b>96</b>	56.7	35.6	22.4	14.1	8.9	5.6	3.5



### Power Supplies

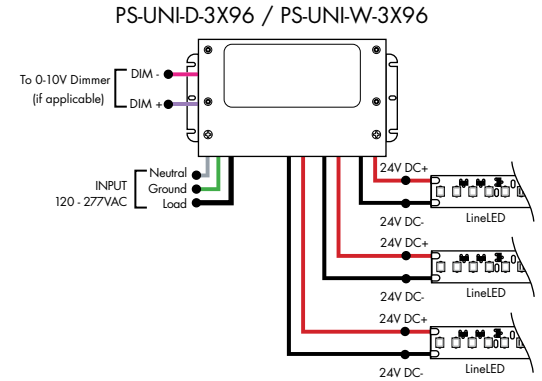
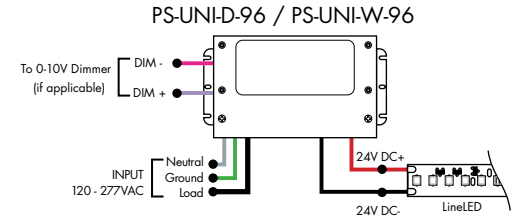
See Power Supply instructions and spec sheet for wiring information. For a complete list of compatible dimmers, see Compatible Dimming Chart on the Resources page.

#### Ordering Code Universal Dimming Power Supplies 1% 120VAC - 277VAC

MODEL	INPUT CONTROL	ENVIRONMENT	WATTAGE	OUTPUT
PS-Power Supply, 120-277VAC	UNI-0-10V Dimming, Phase Dimming	D-Dry W-Wet	30-30 Watts 60-60 Watts 96-96 Watts 3x96-3x96 Watts	24-24 VDC

Compatibility: View a complete list of compatible dimmers on product page [\(Link\)](#)

0-10V - 1% dimming  
MLV/ELV/TRIAC - 1% dimming, consult dimming compatibility chart



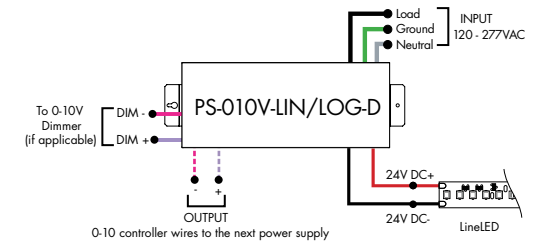
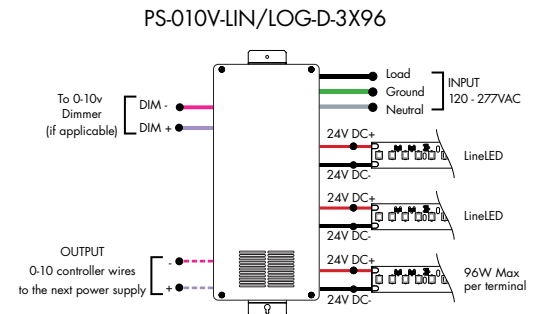
MODELS	PS-UNI-W-30W	PS-UNI-W-60W	PS-UNI-W-96W	PS-UNI-W-3X96W
Length	6.50"	7.40"	8.66"	11.85"
Width	3.73"	3.73"	3.73"	4.32"
Depth	1.61"	1.61"	1.61"	1.81"

MODELS	PS-UNI-D-30W	PS-UNI-D-60W	PS-UNI-D-96W	PS-UNI-D-3X96W
Length	8.77"	8.77"	8.11"	9.94"
Width	4.27"	4.27"	5.60"	7.61"
Depth	1.83"	1.83"	1.83"	2.02"

#### Ordering Code 0-10V Dimming Power Supplies 0.1% 120VAC - 277VAC

MODEL	INPUT CONTROL	ENVIRONMENT	WATTAGE	OUTPUT
PS-Power Supply, 120-277VAC	010V-LIN-0-10V Dimming (0.1%), Linear 010V-LOG-0-10V Dimming (0.1%), Logarithmic	D-Dry	96-96 Watts 3X96-3x96 Watts	24-24 VDC

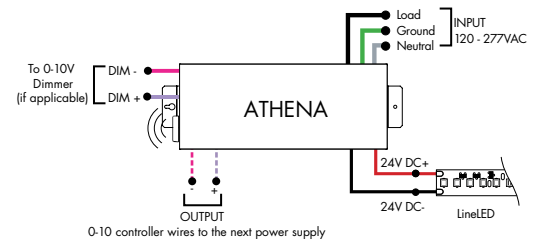
MODELS	96W	3X96
Length	14.40"	15.00"
Width	5.20"	6.62"
Depth	2.60"	4.45"



#### Athena 0-10V LED Driver

MODEL	INPUT CONTROL	ENVIRONMENT	WATTAGE	OUTPUT	FEATURE
PS-Power Supply, 120-277VAC	010V-LIN-0-10V Dimming, Linear 010V-LOG-0-10V Dimming, Logarithmic	D-Dry	96-96 W	24-24 VDC	AWNR-Athena

MODELS	96W
Length	14.40"
Width	5.20"
Depth	2.60"



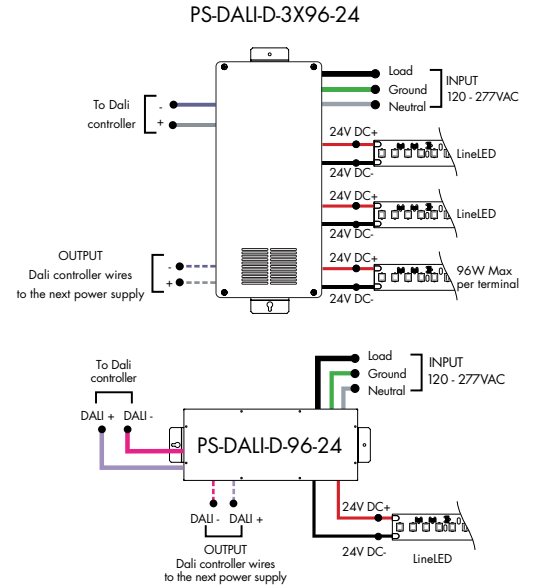
**Power Supplies**

See Power Supply instructions and spec sheet for wiring information. For a complete list of compatible dimmers, see Compatible Dimming Chart on the Resources page.

**Ordering Code DALI Dimming Power Supplies 0.1% 120VAC - 277VAC**

MODEL	INPUT CONTROL	ENVIRONMENT	WATTAGE	OUTPUT
PS-Power Supply, 120-277VAC	DALI-DALI (0.1%)	D-Dry	96-96 Watts 3X96-3X96 Watts	24-24 VDC

Model	96W	3X96
Length	14.40"	15.00"
Width	5.20"	6.62"
Depth	2.60"	4.56"

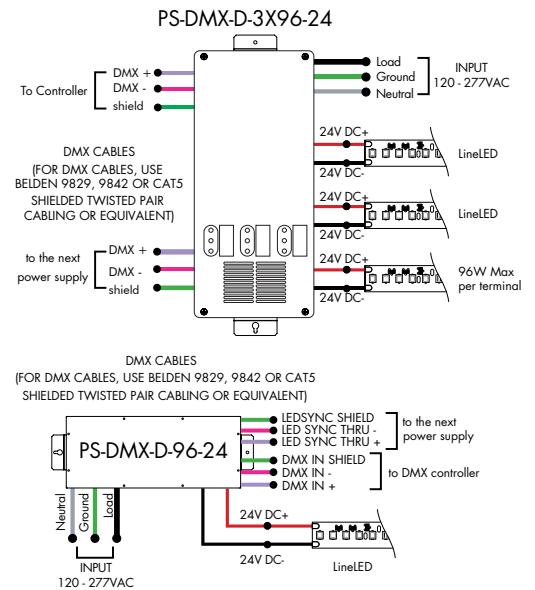


**Ordering Code DMX Dimming Power Supplies 0.1% 120VAC - 277VAC** Requires Zonal Control

MODEL	INPUT CONTROL	ENVIRONMENT	WATTAGE	OUTPUT
PS-Power Supply, 120-277VAC	DMX-DMX (0.1%)	D-Dry	96-96 Watts 3X96-3X96 Watts	24-24 VDC

\*Zonal control power supplies. Control multiple tapes/zones using DMX channels.

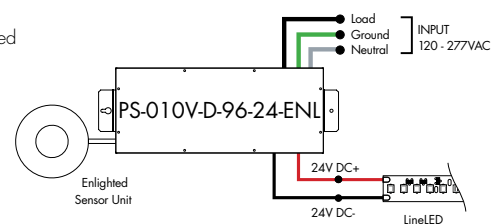
MODELS	96W	3X96
Length	14.40"	15.00"
Width	5.20"	6.62"
Depth	2.60"	4.56"



**Ordering Code Enlightened Enabled Dimming Power Supplies 1% 120VAC - 277VAC**

MODEL	INPUT CONTROL	ENVIRONMENT	WATTAGE	OUTPUT	FEATURE
PS-Power Supply, 120-277VAC	010V-0-10V Dimming (1%)	D-Dry	96-96 Watts	24-24 VDC	ENL-0-10V Enlightened

Model	96W
Length	14.40"
Width	5.20"
Depth	2.60"

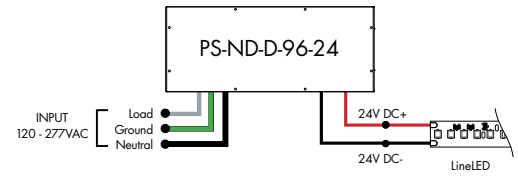


### Power Supplies

See Power Supply instructions and spec sheet for wiring information. For a complete list of compatible dimmers, see Compatible Dimming Chart on the Resources page.

#### Ordering Code Non-Dimming Power Supply 120VAC - 277VAC

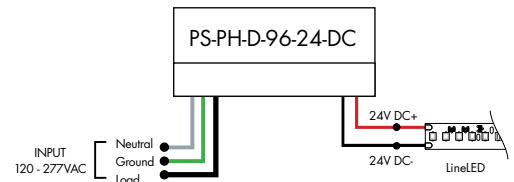
MODEL	INPUT CONTROL	ENVIRONMENT	WATTAGE	OUTPUT
PS - Power Supply, 120-277VAC	ND - Non Dimming	D - Dry	96-96 Watts	24 - 24 VDC



MODELS	96W
Length	14.40"
Width	5.20"
Depth	2.60"

#### Ordering Code Phase Dimming Power Supply 1% 120VAC - 277VAC

MODEL	INPUT CONTROL	ENVIRONMENT	WATTAGE	OUTPUT	OUTPUT CONTROL
PS - Power Supply, 120-277VAC	PH - Phase Dimming (Triac, ELV, MLV)	D - Dry	96 - 96 Watts	24 - 24 VDC	DC - Direct Current



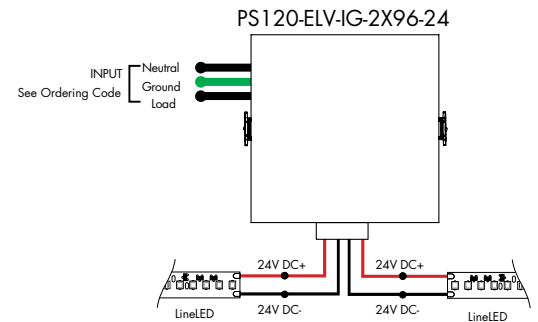
MLV/ELV/TRIAC - 1% dimming, consult dimming compatibility chart ([link](#))

NOTE:  
OVER THE WHITE, GREEN, AND BLACK WIRES,  
CONNECT TO ELV OR MLV DIMMER

MODELS	96W
Length	8.25"
Width	4.10"
Depth	1.56"

#### Ordering Code In-Ground Power Supplies

MODEL	INPUT CONTROL	ENVIRONMENT	WATTAGE	OUTPUT
PS120 - Power Supply, 120VAC PS240 - Power Supply, 240VAC PS277 - Power Supply, 277VAC	ELV - ELV Dimming (1%)	IG - In Ground	2X96 - 2X96 Watts	24 - 24 VDC



MODELS	2X96W
Length	8.40"
Width	8.30"
Depth	8.10"

### Power Supplies

See Power Supply instructions and spec sheet for wiring information. For a complete list of compatible dimmers, see Compatible Dimming Chart on the Resources page.



Luminii is a Lutron OEM Advantage Partner

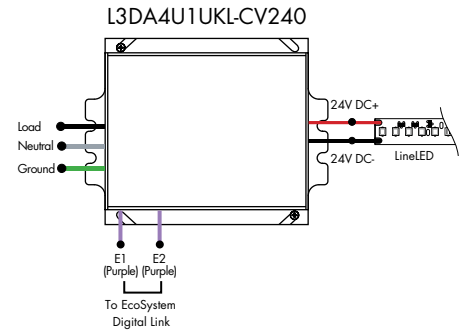
**Lutron Power Supplies 1%**

MODEL

**L3DA4U1UKL-CV240**

HiLume™ 1% EcoSystem Voltage LED driver  
40W max

MODELS	L3DA4U1UKL-CV240
<b>Length</b>	4.98"
<b>Width</b>	4.00"
<b>Depth</b>	2.62"



Luminii is a Lutron OEM Advantage Partner

**Lutron Power Supplies 0.1%**

MODEL

**L3D0-96W24V-U**

HiLume™ 0.1% EcoSystem Voltage LED Driver with Soft-On, Fade-to-Black™  
96W max

MODELS	L3D0
<b>Length</b>	10.50"
<b>Width</b>	5.50"
<b>Depth</b>	2.00"

