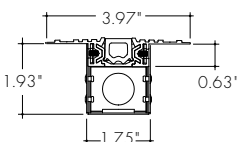


Features

- Recesses into 5/8" drywall
- Seamless lens up to 100' long
- Factory built precision Inside and Outside Corners
- Painted Eggshell RAL 9010 with primer to accept field painting
- Proprietary strong bond solder method handles up to 50 lbs of pull force on wire leads and connectors
- Warm Dim follows the incandescent dimming curve and is compatible with MLV, ELV, and Incandescent dimmers.
- RGB offers balanced output across the color gamut and a true white with RGBW
- Average Life (L70): 50,000hrs
- 7 year warranty



Technical Information

TYPE	Warm Dim	RGBW	RGB
OUTPUT OPTIONS	WD68SO (19K-27K)	RGBW36SO	RGB42SO
Lumens Output (all channels full on) <small>(with a Frosted Lens)</small>	137 lm/ft	83 lm/ft	83 lm/ft
Average Power Consumption <small>(for a 4' section)</small>	5.4 W/ft	4.0 W/ft	4.5 W/ft
Efficacy	25 lm/W	21 lm/W	18 lm/W
Max Run Length <small>[in series]</small>	20 ft	26 ft	28 ft
* Ambient Operating Temperature Range	-5°F - 125°F (-20°C - 50°C)	-5°F - 125°F (-20°C - 50°C)	
Control/Dimming Protocol	MLV, ELV, Inc.		DMX

* Ambient Operating Temperature Range to maintain L70 of 50k+ hours in normal mounting conditions for the fixture. Exceeding Max Ambient Temperature may result in decreased life/output. Consult Technical Support for specific inquiries.

Warm Dim (WD68)				
CCT	TM-30			
	CRI	R _f	R _g	R ₉
1900K	96	92	96	94
2700K	96	93	106	95

RGBW (3000K)				
Type	TM-30			
	CRI	R _f	R _g	R ₉
RGBW36	95	93	106	84

Dominant Wavelength	
Color	RGB/RGBW
Red	620nm
Green	525nm
Blue	467nm

Ordering Code

MODEL	LENGTH ¹	OUTPUT	CCT	LENS	MOUNTING	LEFT END CAP	RIGHT END CAP	POWER FEED LEFT END ^{2,3}	POWER FEED RIGHT END ^{2,3}
SL-Slot	12"-96" 3" increments	WD68SO-Standard	19K27K - 1900K- 2700K	F - Frosted Silicone Lens	GDS - Gypsum Drywall Surface	LE - Endcap Left End	RE - Endcap Right End RN - No Endcap Right End	LPB - Left Power Feed, Plenum rated 72" wires LJB - Left Power Feed, Junction Box	RNPF - No Power Feed Right
	12"-96" 2" increments	RGBW36SO-Standard RGB42SO-Standard	CLR - Color			LE - Endcap Left End LN - No Endcap Left End	RE - Endcap Right End	LNPF - No Power Feed Left	RPB - Right Power Feed, Plenum rated 72" wires RJB - Right Power Feed, Junction Box
						LN - No Endcap Left End	RN - No Endcap Right End	LPB - Left Power Feed, Plenum rated 72" wires LJB - Left Power Feed, Junction Box	RNPF - No Power Feed Right
						LN - No Endcap Left End	RN - No Endcap Right End	LNPF - No Power Feed Left	RPB - Right Power Feed, Plenum rated 72" wires RJB - Right Power Feed, Junction Box

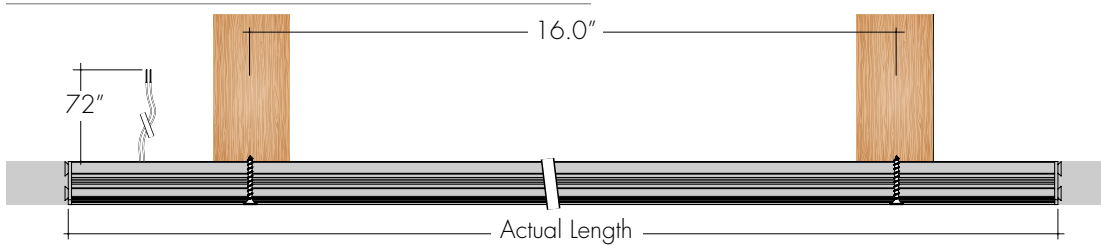
1 - Custom lengths and increments are available, please consult Inside Sales with specific request.
2 - Wire leads are plenum rated and 72" long. Junction Box comes with 24" non-plenum rated wire.

3 - NOTE: Each Slot fixture/section requires it's own home run to a power supply. They cannot be electrically connected together.

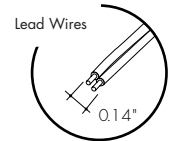
Powerfeed options for Straight Fixtures

SL-XX-LE-RE-LPB-RNPF

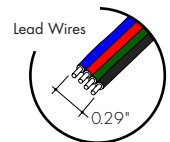
Wire leads, plenum rated CL3R cable on Straight Fixture



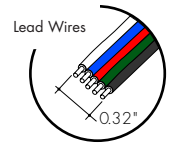
For use with Warm Dim (WD68):



For use with RGB (RGB42):

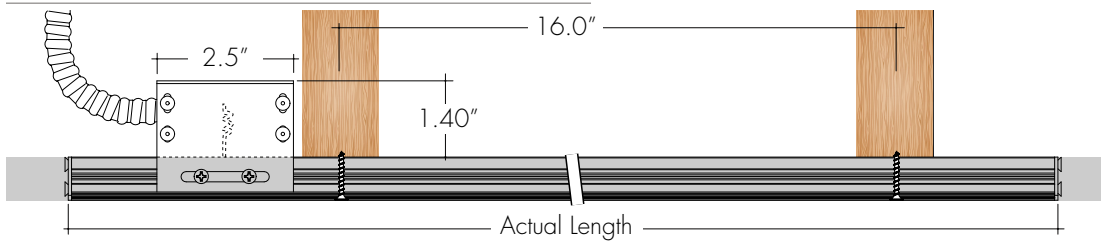


For use with RGBW (RGBW36):



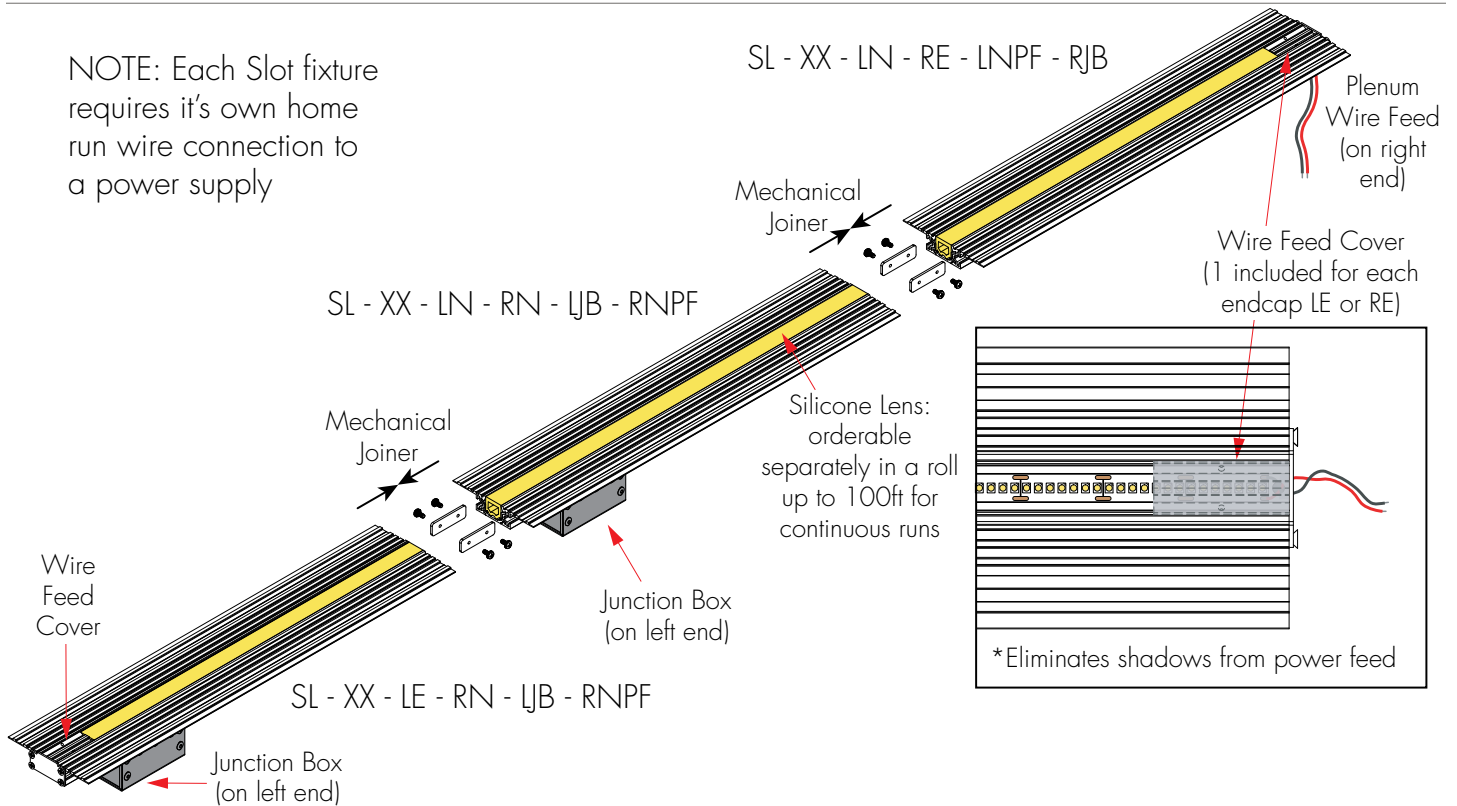
SL-XX-LE-RE-LJB-RNPF

One integrated junction box centered on Straight fixture



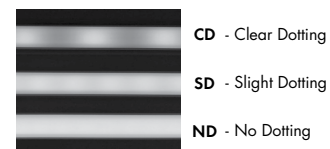
Sample Layout

NOTE: Each Slot fixture requires it's own home run wire connection to a power supply

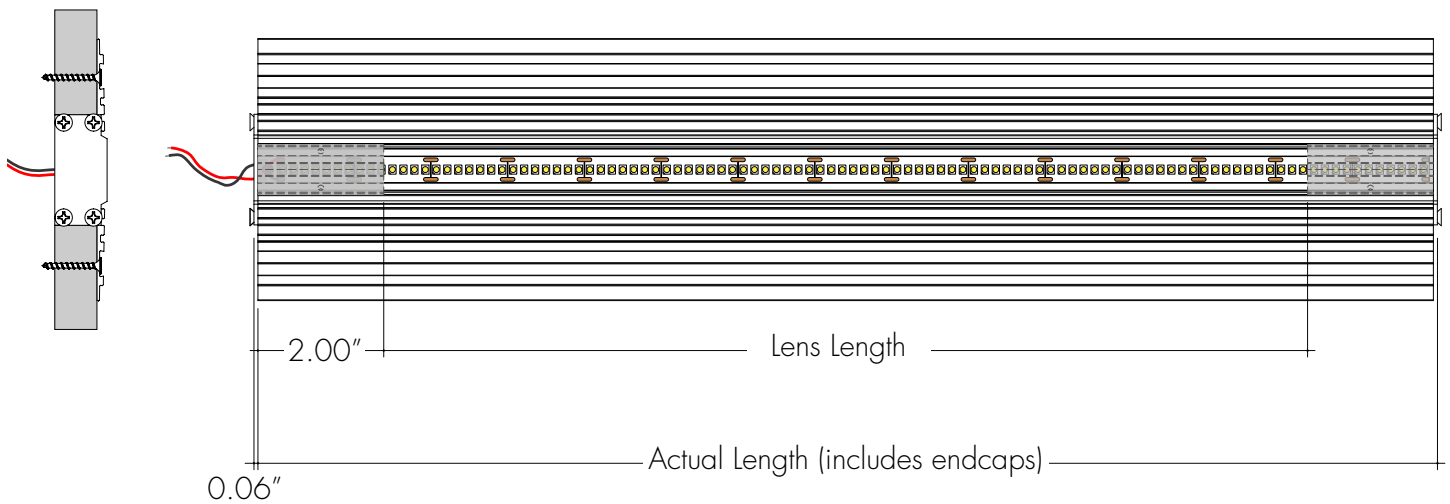
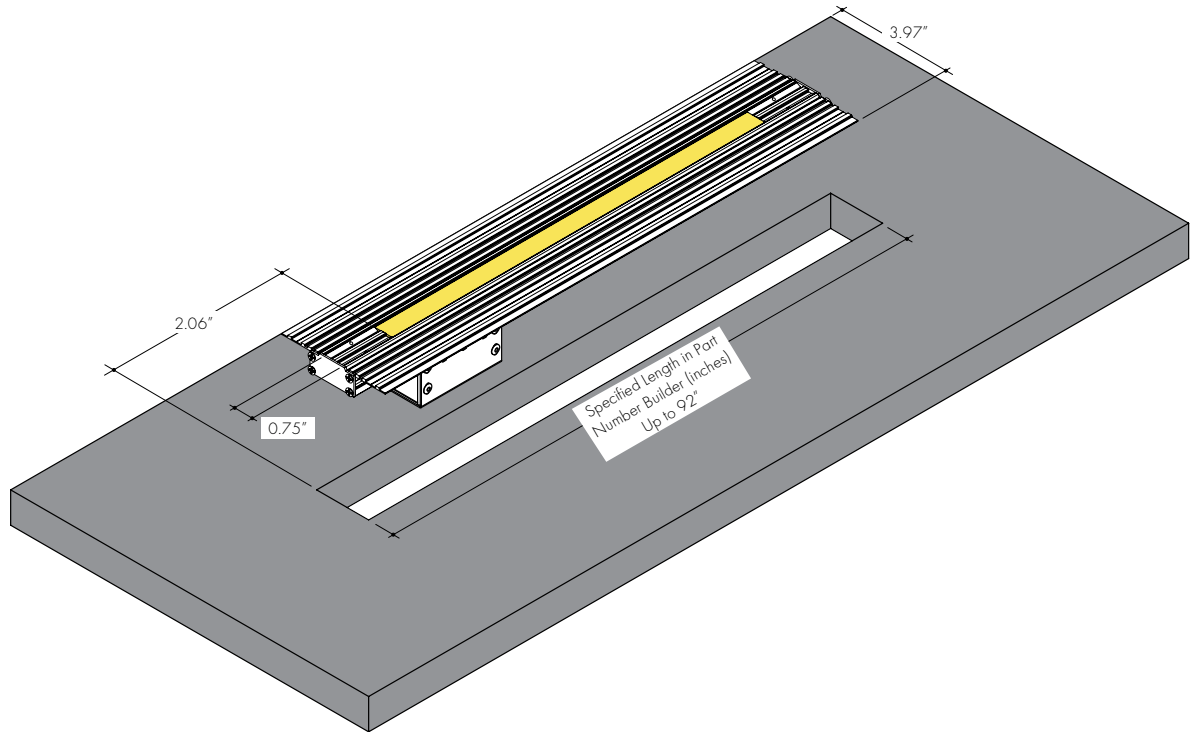
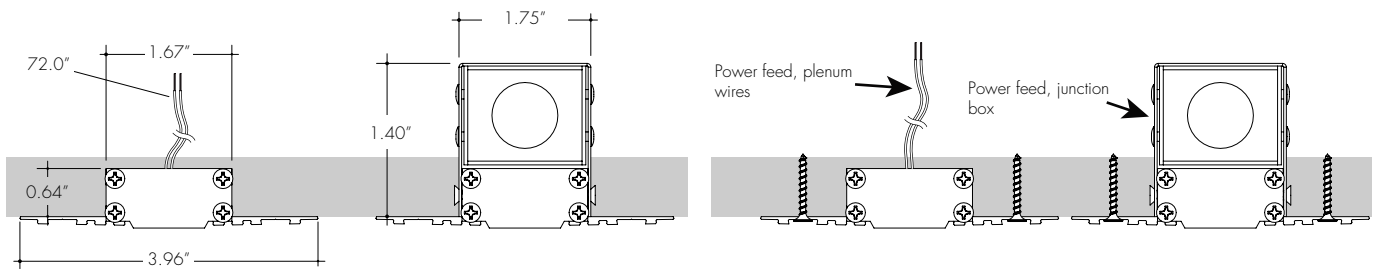


Light Transmission and Dotting

Output Options	Lens/Accessory			
	Frosted			
Dimming Level	100%	50%	10%	1%
WD68SO	ND	ND	SD	SD
RGBW36SO	CD	CD	CD	CD
RGB42SO	CD	CD	CD	CD
Transmission Percentage	100%			



Product Dimensions



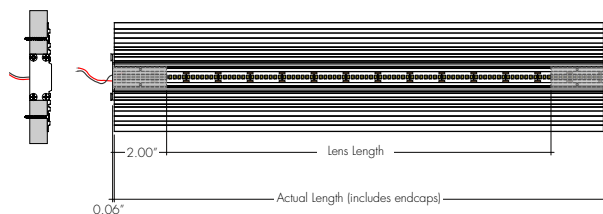
Power Consumption

Tested at Full Power with PS-UNI Series power supplies.

Standard Nominal Lengths offered provide minimal shadowing. For alternate lengths, please consult Inside Sales with specific request.

Warm Dim (WD68)

Nominal Length (in)	Actual Length	Watts	Nominal Length (in)	Actual Length	Watts	Nominal Length (in)	Actual Length	Watts
		SO			SO			SO
12	10 3/16	3.4	47	—	—	82	81 9/16	33.9
13	12 10/16	4.6	48	47 1/16	20.0	83	—	—
14	—	—	49	—	—	84	—	—
15	—	—	50	49 9/16	21.0	85	84	34.8
16	15 2/16	5.8	51	—	—	86	—	—
17	—	—	52	—	—	87	86 7/16	35.7
18	17 9/16	6.9	53	52	22.0	88	—	—
19	—	—	54	—	—	89	88 15/16	36.7
20	—	—	55	54 8/16	23.0	90	—	—
21	20	8.0	56	—	—	91	—	—
22	—	—	57	56 15/16	24.1	92	91 6/16	37.6
23	22 8/16	9.1	58	—	—	93	—	—
24	—	—	59	—	—	94	93 13/16	38.6
25	24 15/16	10.2	60	59 6/16	25.1	95	—	—
26	—	—	61	—	—	96	—	—
27	—	—	62	61 14/16	26.1			
28	27 7/16	11.3	63	—	—			
29	—	—	64	—	—			
30	29 14/16	12.3	65	64 5/16	27.1			
31	—	—	66	—	—			
32	—	—	67	66 12/16	28.0			
33	32 5/16	13.4	68	—	—			
34	—	—	69	—	—			
35	34 13/16	14.5	70	69 4/16	29.0			
36	—	—	71	—	—			
37	—	—	72	71 11/16	30.0			
38	37 4/16	15.6	73	—	—			
39	—	—	74	—	—			
40	39 11/16	16.7	75	74 3/16	30.9			
41	—	—	76	—	—			
42	—	—	77	76 10/16	32.0			
43	42 3/16	17.8	78	—	—			
44	—	—	79	—	—			
45	44 10/16	18.9	80	79 1/16	33.1			
46	—	—	81	—	—			



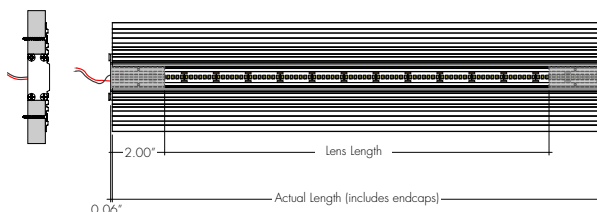
Power Consumption

Tested at Full Power with PS-UNI Series power supplies.

Standard Nominal Lengths offered provide minimal shadowing. For alternate lengths, please consult Inside Sales with specific request.

RGB/RGBW (RGB42/RGBW36)

Nominal Length (in)	Actual Length	Watts		Nominal Length (in)	Actual Length	Watts		Nominal Length (in)	Actual Length	Watts	
		RGBW36	RGB42			RGBW36	RGB42			RGBW36	RGB42
		SO	SO			SO	SO			SO	SO
12	10 11/16	4.0	4.4	47	46 2/16	13.8	16.0	82	81 9/16	25.4	28.8
13	12 10/16	4.0	4.4	48	—	—	—	83	—	—	—
14	—	—	—	49	48 1/16	14.4	16.8	84	83 8/16	26.1	29.4
15	14 10/16	4.0	4.4	50	—	—	—	85	—	—	—
16	—	—	—	51	50 1/16	15.1	17.5	86	85 8/16	26.8	30.0
17	16 9/16	4.5	5.2	52	—	—	—	87	—	—	—
18	—	—	—	53	52	15.8	18.3	88	87 7/16	27.4	30.7
19	18 9/16	5.1	5.9	54	54	16.4	18.9	89	—	—	—
20	—	—	—	55	—	—	—	90	89 7/16	28.0	31.4
21	20 8/16	5.6	6.7	56	55 15/16	17.0	19.6	91	—	—	—
22	—	—	—	57	—	—	—	92	91 6/16	28.6	32.2
23	22 8/16	6.2	7.4	58	57 15/16	17.6	20.3	93	—	—	—
24	—	—	—	59	—	—	—	94	93 6/16	29.2	32.9
25	24 7/16	6.7	8.2	60	59 14/16	18.2	21.0	95	—	—	—
26	—	—	—	61	—	—	—	96	95 5/16	29.9	33.6
27	26 7/16	7.3	8.9	62	61 14/16	18.9	21.7				
28	—	—	—	63	—	—	—				
29	28 6/16	8.0	9.6	64	63 13/16	19.5	22.4				
30	—	—	—	65	—	—	—				
31	30 6/16	8.6	10.4	66	65 13/16	20.2	23.2				
32	—	—	—	67	—	—	—				
33	32 5/16	9.3	11.1	68	67 12/16	20.8	24.0				
34	—	—	—	69	—	—	—				
35	34 5/16	9.7	11.5	70	69 12/16	21.5	24.7				
36	—	—	—	71	—	—	—				
37	36 4/16	10.3	12.2	72	71 11/16	22.1	25.5				
38	—	—	—	73	—	—	—				
39	38 4/16	11.0	13.0	74	73 11/16	22.8	26.3				
40	—	—	—	75	—	—	—				
41	40 3/16	11.7	13.7	76	75 10/16	23.5	26.9				
42	—	—	—	77	—	—	—				
43	42 3/16	12.4	14.5	78	77 10/16	24.1	27.6				
44	—	—	—	79	—	—	—				
45	44 2/16	13.1	15.2	80	79 9/16	24.8	28.2				
46	—	—	—	81	—	—	—				



Voltage Drop Calculator

The below chart assumes nominal voltage of 24 Volts and a Voltage Drop Allowance of 3% through the wire

Wattage [W]	Wire Length From Power Supply to Start of Run [ft]						
	12 AWG	14 AWG	16 AWG	18 AWG	20 AWG	22 AWG	24 AWG
5	1088.2	684.4	430.3	270.6	170.2	107.1	67.3
10	544.1	342.2	215.1	135.3	85.1	53.5	33.7
15	362.7	228.1	143.4	90.2	56.7	35.7	22.4
20	272.0	171.1	107.6	67.7	42.6	26.8	16.8
25	217.6	136.9	86.1	54.1	34.0	21.4	13.5
30	181.4	114.1	71.7	45.1	28.4	17.8	11.2
35	155.5	97.8	61.5	38.7	24.3	15.3	9.6
40	136.0	85.5	53.8	33.8	21.3	13.4	8.4
45	120.9	76.0	47.8	30.1	18.9	11.9	7.5
50	108.8	68.4	43.0	27.1	17.0	10.7	6.7
55	98.9	62.2	39.1	24.6	15.5	9.7	6.1
60	90.7	57.0	35.9	22.6	14.2	8.9	5.6
65	83.7	52.6	33.1	20.8	13.1	8.2	5.2
70	77.7	48.9	30.7	19.3	12.2	7.6	4.8
75	72.5	45.6	28.7	18.0	11.3	7.1	4.5
80	68.0	42.8	26.9	16.9	10.6	6.7	4.2
85	64.0	40.3	25.3	15.9	10.0	6.3	4.0
90	60.5	38.0	23.9	15.0	9.5	5.9	3.7
96	56.7	35.6	22.4	14.1	8.9	5.6	3.5

Power Supplies

See fixture and power supply instructions & spec sheet for wiring information. Dimming possible in select models - view Luminii website for list of compatible dimmers.

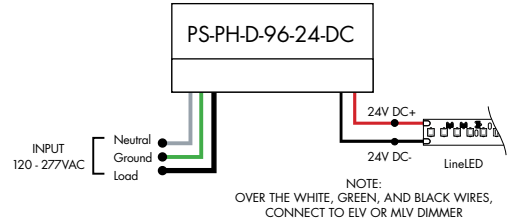
For use with Warm Dim, WD68

Ordering Code Phase Dimming Power Supply 1% 120VAC - 277VAC

MODEL	INPUT CONTROL	ENVIRONMENT	WATTAGE	OUTPUT	OUTPUT CONTROL
PS-Power Supply, 120-277VAC	PH-Phase Dimming (Triac, ELV, MLV)	D-Dry	96-96 Watts	24-24 VDC	DC-Direct Current

MLV/ELV/TRIAC - 1% dimming, consult dimming compatibility chart [\(Link\)](#)

MODELS	96W
Length	8.25"
Width	4.10"
Depth	1.56"

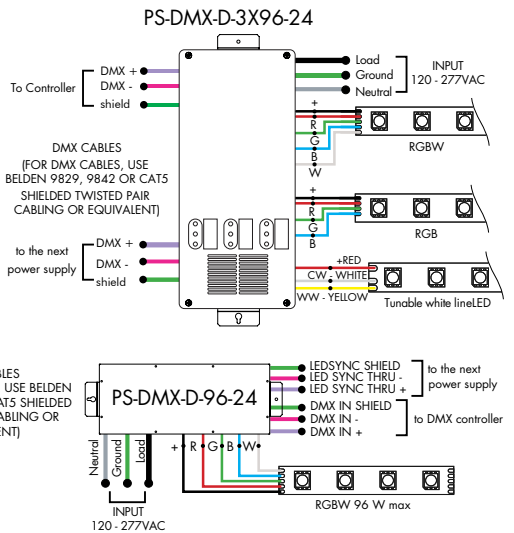


For use with RGB/RGBW, RGB42/RGBW36 or with Tunable White, TW68

Ordering Code DMX Dimming Power Supplies 0.1% 120VAC - 277VAC

MODEL	INPUT CONTROL	ENVIRONMENT	WATTAGE	OUTPUT
PS-Power Supply, 120-277VAC	DMX-DMX (0.1%)	D-Dry	96-96 Watts 3X96-3X96 Watts	24-24 VDC

MODELS	96W	3X96
Length	14.40"	15.00"
Width	5.20"	6.62"
Depth	2.60"	4.56"



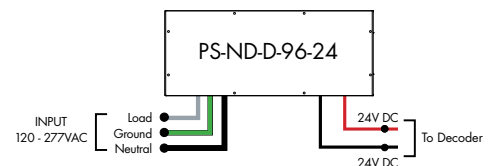
Requires Controller

For use with RGB/RGBW/Pixel, RGB42/RGBW36/RGBX18/RGBWX18

Ordering Code Non-Dimming Power Supply 120VAC - 277VAC

MODEL	INPUT CONTROL	ENVIRONMENT	WATTAGE	OUTPUT
PS-Power Supply, 120-277VAC	ND-Non Dimming	D-Dry	96-96 Watts	24-24 VDC

MODELS	96W
Length	14.40"
Width	5.20"
Depth	2.60"



Requires Controller and Decoder

Power Supplies

See fixture and power supply instructions & spec sheet for wiring information. Dimming possible in select models - view Luminii website for list of compatible dimmers.

For use with RGB/RGBW/Pixel, RGB42/RGBW36/RGBX18/RGBWX18

Requires Controller and Decoder

Ordering Code Universal Dimming Power Supplies 1% 120VAC - 277VAC

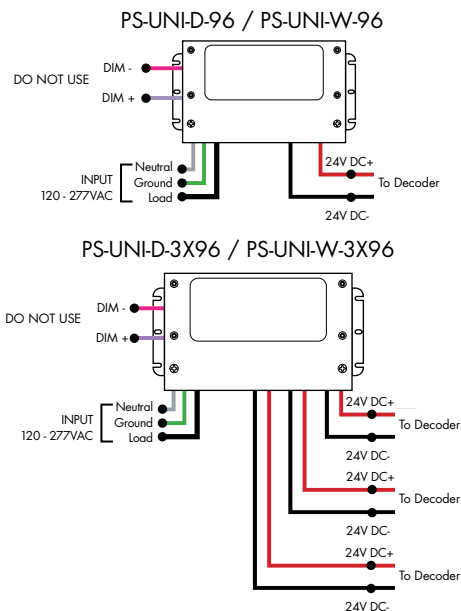
MODEL	INPUT CONTROL	ENVIRONMENT	WATTAGE	OUTPUT
PS-Power Supply, 120-277VAC	UNI- 0-10V Dimming, Phase Dimming	D-Dry W-Wet	30-30 Watts 60-60 Watts 96-96 Watts 3x96-3x96 Watts	24-24 VDC

Compatibility: View a complete list of compatible dimmers on product page [\(Link\)](#)

0-10V - 1% dimming
MLV/ELV/TRIAC - 1% dimming, consult dimming compatibility chart

MODELS	PS-UNI-W-30W	PS-UNI-W-60W	PS-UNI-W-96W	PS-UNI-W-3X96W
Length	6.50"	7.40"	8.66"	11.85"
Width	3.73"	3.73"	3.73"	4.32"
Depth	1.61"	1.61"	1.61"	1.81"

MODELS	PS-UNI-D-30W	PS-UNI-D-60W	PS-UNI-D-96W	PS-UNI-D-3X96W
Length	8.77"	8.77"	8.11"	9.94"
Width	4.27"	4.27"	5.60"	7.61"
Depth	1.83"	1.83"	1.83"	2.02"



Controllers and Decoders

For use with Tunable White, RGB/RGBW Power Supplies



MODEL

RGBW-RC-R

RGBW-RC-R - RGBW receiver

The RGBW receiver is easily paired with controller by the click of a button. Receiver can be reset to factory settings at any time.

Each receiver can store one static RGB color, one color sequence, and one brightness setting for the white LED strip. Receivers assigned to the same scene within the same zone will have the same LED static color and color sequence.

Operating Voltage
12-36 VDC

Power Capacity
up to 96W at 24V

Operating Temperature Range
from -4°F to +122°F in case



MODEL

RGBW-SR

RGBW-SR - RGBW signal repeater

Extends identical signal when connected in series to an RGBW LED control system. The RGBW signal repeater works with Luminii RGB and RGBW controllers, receivers, and decoders.

RGBW signal can be extended indefinitely when adequate power supply (not included) is connected to the system.

Operating Voltage
12-36 VDC

Power Capacity
up to 96W at 24V

Operating Temperature Range
from -4°F to +122°F in case



MODEL

DDMX-RGBW

DDMX-RGBW - DMX decoder

Translates controller DMX512 programs for RGB and white LED strips.

Unique DMX address for the decoder can be set easily and displayed by the numeric display on the case. Changing and resetting the DMX address requires manual input.

Use power repeater to expand output.

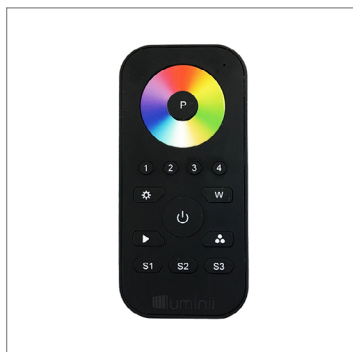
Operating Voltage
12-36 VDC

Power Capacity
up to 96W at 24V

Operating Temperature Range
from -4°F to +122°F in case

Controllers and Decoders

For use with RGB/RGBW Power Supplies



MODEL

RGBW-MC3

RGBW-MC3 - 4-zone RGBW controller

Easy to operate wireless interface suitable for static or color changing scenes. Control 4 different color zones separately or at the same time. RGBW receiver (RGBW-RC-R) required for operation. Assign multiple receivers per zone to cover a large area.

Color wheel enables highly stable and sensitive color control functionality. Create your own color changing sequences with ease and flexibility.

Power

qty 3 AAA batteries

Scenes

up to 4 unique zones

Signal

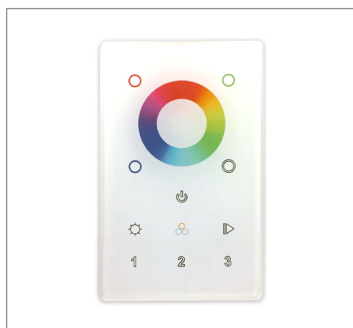
Wireless (RF)

Energy Saving

Deactivates after 10 seconds of inactivity

Color Parameters

- Brightness
- Saturation
- Primary colors
- Speed of color changing sequence
- Fading



MODEL

ZONES

COLOR

DMX - DMX
Controller3Z - Three Zone
1Z - One ZoneRGBW - Red,
Green,
Blue, &
White

DMX /Wireless RGB-W wall-mount controller controls DMX lighting fixtures, wireless control of RGB-W lighting fixture or use both simultaneously. Fits in any standard US switch box. Includes all the outputs in the back of the controller.

Control brightness levels with a single touch, personalize and memorize 3 different scenes, and even create 3 variations of white.

Features

- 2 in 1 in-Wall Controller: DMX Control or Wireless RGB-W
- 65,000 Color Options, Dimming and Speed Control
- Memory Function
- 50 Foot Wireless Range
- Easily Fits Standard US Switch Boxes
- Touch Sensitive Glass Surface
- Includes 10 Built in Programs, or Create and Play Your Own

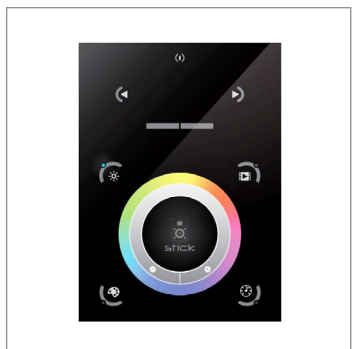
Operating Voltage

12 - 24V DC

Color Parameters

- Brightness
- Saturation
- Primary colors
- Fading
- Color changing speed

For use with Tunable White, RGB/RGBW, Pixel Power Supplies



MODEL

TSDMX-E

TSDMX-E - Touchscreen DMX controller

Programmable advanced DMX512 lighting controller featuring a touch-screen interface. Operates as stand alone controller or integrated with most architectural lighting control systems. Can controller endless DMX512 enabled devices.

Mounts to standard single or dual gang wall box with the included power supply inside the junction box. Terminal block design for power and data connections.

Features

- Sleek glass design which sits 0.43" from the wall
- Graphical color display to show selected environment
- Color/dimmer/speed palette
- Color temperature mixing
- Touch sensitive buttons. No mechanical parts
- Touch sensitive wheel allows for accurate color selection
- Multi-zone microSD memory
- Multi-room control with 500 scenes, 10 zones
- 1024 DMX channels. Control 340 RGB fixtures
- USB & Ethernet connectivity for programming and control

Power Supply

7 VDC (included)

Programmability

PC, Mac, Tablet, Smartphone

Output Signal

DMX512 (1024 channels)

Color Parameters

- Brightness
- Saturation
- Speed of color changing sequence
- Fading / dimming / brightness