

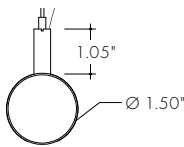


Features

- 24VDC Class 2 fixtures made to order up to 116".
- Suitable for undercabinet, millwork recessed, and surface mount applications
- Class two listed for damp locations.
- Dot free even illumination with frosted lens
- Average Life (L70): 50,000hrs
- Proprietary strong bond solder method handles up to 50 lbs of pull force on wire leads and connectors.
- Warm Dim follows the incandescent dimming curve and is compatible with MLV, ELV, and Incandescent dimmers.
- 7 year warranty



Warm Dimming



Finish Options (see page 2 for additional information)

Base	<input type="checkbox"/> Silver Anodized
Powder Coat	<input type="checkbox"/> Black <input type="checkbox"/> Bronze <input type="checkbox"/> White
Premium	<input type="checkbox"/> Matte Black <input type="checkbox"/> Warm Nickel <input type="checkbox"/> Aged Brass <input type="checkbox"/> Polished Gold <input type="checkbox"/> Chrome



Technical Information

TYPE	Warm Dim
OUTPUT OPTIONS	WD60X2VHO (19K-27K)
Lumens Output (all channels full on) <small>(with a Clear Lens)</small>	426 lm/ft
Average Power Consumption <small>(for a 4' section)</small>	10.1 W/ft
Efficacy	42 lm/W
Max Run Length <small>(in series)</small>	12 ft
Ambient Operating Temperature Range*	-5°F - 115°F (-20°C - 45°C)
Control/Dimming Protocol	MLV, ELV, Inc.

Warm Dim (WD60X2)

CCT	TM-30			
	CRI	R _f	R _g	R ₉
1900K	96	92	96	94
2700K	96	93	106	95

*Ambient Operating Temperature Range to maintain L70 of 50k+ hours in normal mounting conditions for the fixture. Exceeding Ambient Operating Temperature Range may result in decreased life/output. Consult Technical Support for specific inquiries.

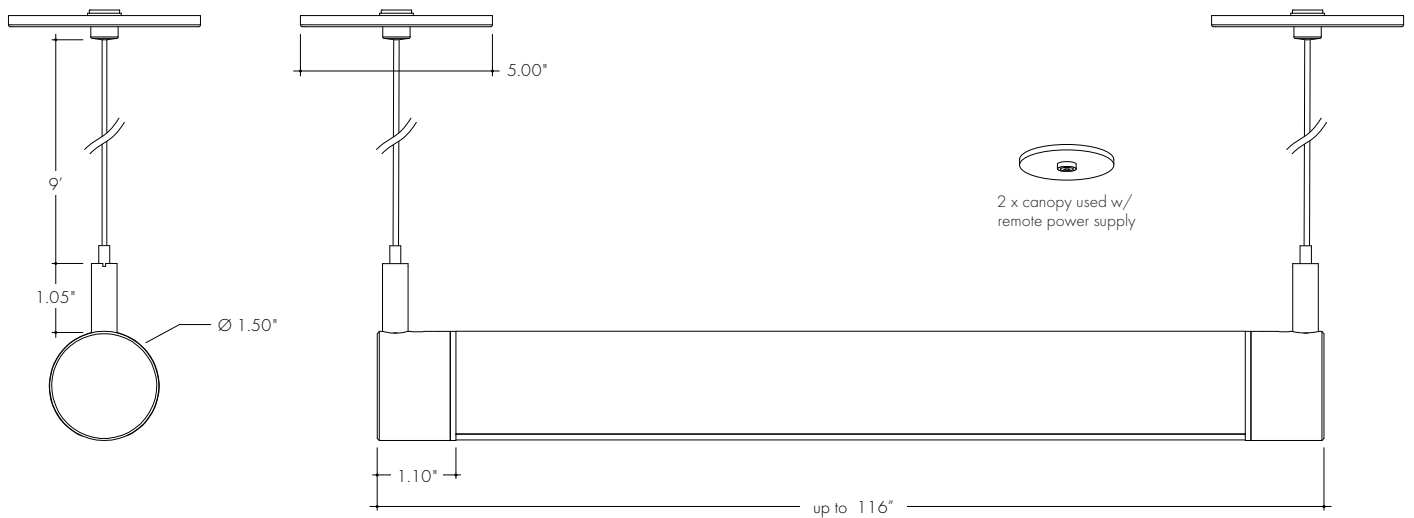
Ordering Code

MODEL	LENGTH ¹	OUTPUT	CCT	LENS ²	LIGHT DIRECTION	MOUNTING	FINISH ^{2,3}
RUN-Runda	12"-116" 3" increments	WD60X2VHO - Very High	19K27K - 1900K - 2700K	C - Clear F - Frosted	U - Up P - Down	POA - Power over Aircraft Suspension	<p>BASE SA - Silver Anodized</p> <p>POWDER COAT BK - Black BZ - Bronze WH - White</p> <p>PREMIUM MBK - Matte Black WN - Warm Nickel AB - Aged Brass PG - Polished Gold⁴ CH - Chrome⁴</p>

1 - Custom lengths and increments are available, please consult Inside Sales with specific request.
2 - Non Base finishes may have extended lead times. Custom RALs are available, please consult Inside Sales with specific request.

3 - White canopy included with all finishes except Black and Matte Black, which include a Black canopy.
4 - Polished Gold finishes and Chrome finishes have a maximum fixture length of 96".

Product Dimensions



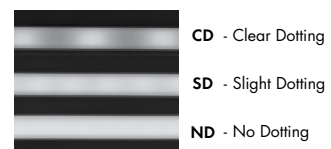
Finish Options

- Finish options are available in a wide variety, allowing for complete customization of style and aesthetic.
- Non Base finishes may have extended lead times.
- White canopy included with all finishes except Black and Matte Black, which include a Black canopy.
- Polished Gold and Chrome finishes have a maximum fixture length of 96".
- Custom RALs are available, please consult Inside Sales with specific request.



Light Transmission and Dotting

Output Options	Lens/Accessory							
	Clear Lens				Frosted Lens			
Dimming Level	100%	50%	10%	1%	100%	50%	10%	1%
WD60X2VHO	CD	CD	CD	CD	ND	ND	ND	ND
Transmission Percentage	100%				63%			



Power Consumption

Tested at Full Power with PS-UNI Series power supplies.

Standard Nominal Lengths offered provide minimal shadowing. For alternate lengths, please contact factory with specific request.

Warm Dim (WD60X2)

Nominal Length (in)	Actual Length	Watts	Nominal Length (in)	Actual Length	Watts	Nominal Length (in)	Actual Length	Watts
		SO			SO			SO
12	11 6/16	11.4	47	46 8/16	37.4	82	81 11/16	62.6
13	12 12/16	11.4	48	47 15/16	38.2	83	–	–
14	–	–	49	–	–	84	83 1/16	63.4
15	14 3/16	11.4	50	49 5/16	38.9	85	84 8/16	64.8
16	15 9/16	12.1	51	50 12/16	40.5	86	85 14/16	65.6
17	17	12.9	52	–	–	87	–	–
18	–	–	53	52 2/16	41.3	88	87 5/16	66.3
19	18 6/16	13.7	54	53 9/16	42.9	89	88 11/16	67.4
20	19 13/16	15.2	55	54 15/16	43.7	90	–	–
21	–	–	56	–	–	91	90 2/16	68.0
22	21 3/16	15.9	57	56 6/16	44.6	92	91 8/16	69.0
23	22 10/16	17.5	58	57 12/16	46.2	93	92 15/16	69.6
24	–	–	59	–	–	94	–	–
25	24	18.2	60	59 3/16	47.0	95	94 5/16	70.1
26	25 7/16	19.0	61	60 9/16	48.7	96	95 12/16	71.2
27	26 13/16	20.5	62	62	49.5	97	–	–
28	–	–	63	–	–	98	97 2/16	71.8
29	28 4/16	21.4	64	63 6/16	50.3	99	98 9/16	72.9
30	29 10/16	23.2	65	64 13/16	51.5	100	99 15/16	73.5
31	–	–	66	–	–	101	–	–
32	31 1/16	24.1	67	66 3/16	52.1	102	101 6/16	74.2
33	32 7/16	25.9	68	67 10/16	53.3	103	102 12/16	75.5
34	33 14/16	26.8	69	–	–	104	–	–
35	–	–	70	69	53.9	105	104 3/16	76.2
36	35 4/16	27.7	71	70 7/16	54.5	106	105 9/16	77.5
37	36 11/16	29.5	72	71 13/16	55.6	107	107	78.2
38	–	–	73	–	–	108	–	–
39	38 1/16	30.4	74	73 4/16	56.2	109	108 6/16	78.8
40	39 8/16	32.1	75	74 10/16	57.4	110	109 13/16	80.1
41	40 14/16	32.8	76	–	–	111	–	–
42	–	–	77	76 1/16	58.2	112	111 3/16	80.8
43	42 5/16	33.6	78	77 7/16	59.7	113	112 10/16	81.9
44	43 11/16	35.1	79	78 14/16	60.4	114	–	–
45	–	–	80	–	–	115	114	82.5
46	45 2/16	35.9	81	80 4/16	61.1	116	115 7/16	83.0

Voltage Drop Calculator

The below chart assumes nominal voltage of 24 Volts and a Voltage Drop Allowance of 3% through the wire

Wattage [W]	Wire Length From Power Supply to Start of Run [ft]						
	12 AWG	14 AWG	16 AWG	18 AWG	20 AWG	22 AWG	24 AWG
5	1088.2	684.4	430.3	270.6	170.2	107.1	67.3
10	544.1	342.2	215.1	135.3	85.1	53.5	33.7
15	362.7	228.1	143.4	90.2	56.7	35.7	22.4
20	272.0	171.1	107.6	67.7	42.6	26.8	16.8
25	217.6	136.9	86.1	54.1	34.0	21.4	13.5
30	181.4	114.1	71.7	45.1	28.4	17.8	11.2
35	155.5	97.8	61.5	38.7	24.3	15.3	9.6
40	136.0	85.5	53.8	33.8	21.3	13.4	8.4
45	120.9	76.0	47.8	30.1	18.9	11.9	7.5
50	108.8	68.4	43.0	27.1	17.0	10.7	6.7
55	98.9	62.2	39.1	24.6	15.5	9.7	6.1
60	90.7	57.0	35.9	22.6	14.2	8.9	5.6
65	83.7	52.6	33.1	20.8	13.1	8.2	5.2
70	77.7	48.9	30.7	19.3	12.2	7.6	4.8
75	72.5	45.6	28.7	18.0	11.3	7.1	4.5
80	68.0	42.8	26.9	16.9	10.6	6.7	4.2
85	64.0	40.3	25.3	15.9	10.0	6.3	4.0
90	60.5	38.0	23.9	15.0	9.5	5.9	3.7
96	56.7	35.6	22.4	14.1	8.9	5.6	3.5

Power Supplies

See fixture and power supply instructions & spec sheet for wiring information. Dimming possible in select models - view Luminii website for list of compatible dimmers.

For use with Warm Dim, WD68

Ordering Code Phase Dimming Power Supply 1% 120VAC - 277VAC

MODEL	INPUT CONTROL	ENVIRONMENT	WATTAGE	OUTPUT	OUTPUT CONTROL
PS-Power Supply, 120-277VAC	PH-Phase Dimming (Triac, ELV, MLV)	D-Dry	96-96 Watts	24-24 VDC	DC-Direct Current

MLV/ELV/TRIAC - 1% dimming, consult dimming compatibility chart [\(Link\)](#)

MODELS	96W
Length	8.25"
Width	4.10"
Depth	1.56"

