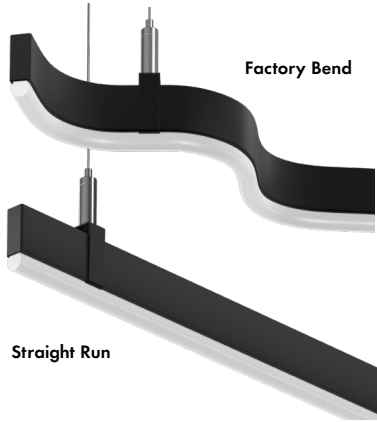
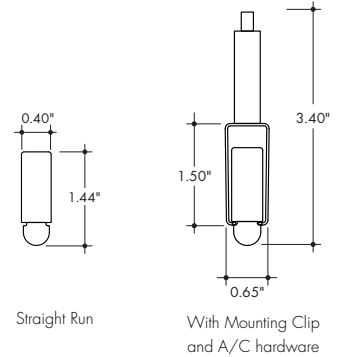


Plexineon Suspended Mount

Static White and Monochrome Colors



- Easy to install, for interior accent lighting
- Neon look providing a crisp, clear line of light visible for miles
- Creative freedom to make stunning designs, rigid construction maintains factory formed shape
- Mounting Clips and aircraft cable are included in the appropriate quantities
- Operating Temperature: -40° F to 140° F (-40° C to 60° C)
- 24VDC Class 2
- IK10 and 3G rated
- 5 year warranty indoor



Technical Information

MODEL	Plexineon Static White (30K)	Plexineon Monochrome Colors					
		Red	Blue	Green	Magenta	Teal	Yellow
OUTPUT OPTIONS	SO	SO					
Lumens Output (3000K)	123 lm/ft	14 lm/ft	11 lm/ft	50 lm/ft	24 lm/ft	60 lm/ft	62 lm/ft
Average Power Consumption (for a 4" section)	3.2 W/ft	1.2 W/ft	1.4 W/ft	1.5 W/ft	2.6 W/ft	2.9 W/ft	2.7 W/ft
Wavelength	N/A	622 nm	468 nm	525 nm	567 nm	486 nm	563 nm
Efficacy	39 lm/W	12.1 lm/W	8.1 lm/W	33.8 lm/W	9.2 lm/W	20.9 lm/W	23.2 lm/W
Order Increment	1.97"	1.97"					
Max Run Length (in series)	30 ft	32ft	32ft	32ft	32ft	32ft	32ft

CCT	Multiplier (reference - 3000K)	TM-30		
		CRI	R _f	R _g
2700K	0.94	90	88	97
3000K	1.00	90	87	97
3500K	1.02	90	87	97
4000K	1.02	90	84	92

Ordering Code

MODEL	RUN LENGTH ¹	BEND	CCT	OUTPUT	LENS	MOUNTING ³	FINISH	POWERFEED POSITION/TYPE	QUOTE NUMBER ⁵
PX - Plexineon	— Run length in inches, 6" min, no max run length	SR - Straight Run EB - Factory Bend, Side/Easy Bend ²	27K - 2700K 30K - 3000K 35K - 3500K 40K - 4000K B - Blue G - Green T - Teal Y - Yellow R - Red M - Magenta	SO - Standard	F - Frosted	SP - Suspension Mount, Standard Clips SPD - Suspension Mount, Decorative Clips ⁴	GG - Gloss Grey BK - Matte Black GY - Matte Grey WH - Matte White	B-4 - Male Quick Connect One End, Female Quick Connect Other End	(Leave Blank) - For SR or FB — Quote Number entered by Inside Sales used for Factory Bends and Custom Drawings

1. Static White and Monochrome colors are available in 2"(1.97") increments, +/- 1/2" tolerance. Run Lengths over 96" (8ft) will be made of equal sections no longer than 96".
 2. Factory Bends require an Image or Drawing input at time of Quote to calculate total linear/arc length. Factory Bends require a Custom Drawing submittal at time of Order. Allow 2 weeks (typical) for Custom Drawing generation/confirmation process.

3. Standard mounting clip come with stainless steel finish, included approximately every 30" of linear/arc length.
 4. Decorative Clips match the fixture finish, included approximately every 18" of linear/arc length.
 5. Quote Number correlates the Quote to the Custom Drawing. If a single Quote includes different designs having the same length, add -1, -2, -3, etc. to the end of the Quote Number for each unique configuration.

Plexineon Suspended Mount

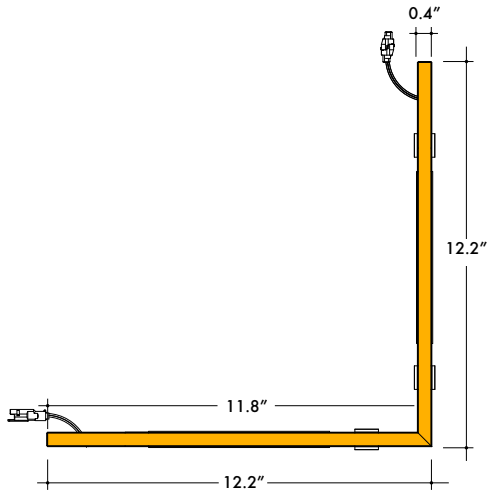
Static White and Monochrome Colors



Corner Dimensions

HC-SR

Horizontal Corner



Ordering Code

MODEL	CORNER ¹	CCT	OUTPUT	LENS	MOUNTING ¹	FINISH	POWERFEED POSITION/TYPE
PX - Plexineon	HC-SR - Horizontal Corner	27K - 2700K 30K - 3000K 35K - 3500K 40K - 4000K B - Blue G - Green T - Teal Y - Yellow R - Red M - Magenta	SO - Standard	F - Frosted	SP - Suspension Mount, Standard Clips SPD - Suspension Mount, Decorative Clips ²	GG - Gloss Grey BK - Matte Black GY - Matte Grey WH - Matte White	B-4 - Male Quick Connect One End, Female Quick Connect Other End

1. Corners include 3 mounting clips.

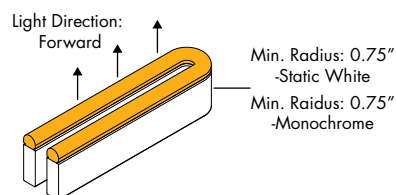
2. Standard mounting clip come with stainless steel finish, included approximately every 30" of linear/arc length. Decorative Clips match the fixture finish.

Factory Bends

- Require Custom Drawing submittal and approval.

EB

Factory Bend, Side/Easy Bend



Plexineon Suspended Mount

Static White and Monochrome Colors

Finish Options

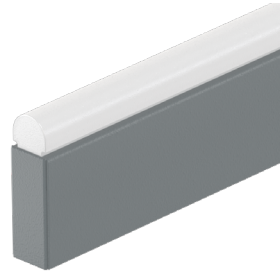
BK
Matte Black Finish



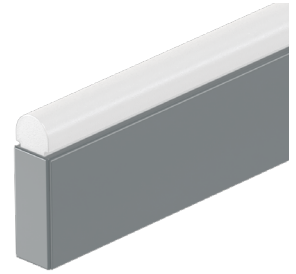
WH
Matte White Finish



GY
Matte Grey Finish



GG
Gloss Grey Finish

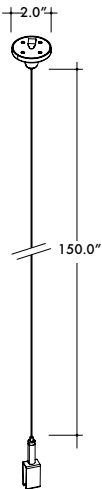


Suspension Hardware

- Suspension Hardware is included with Plexineon runs in the appropriate quantity, every 30" of linear/arc length
- Standard Clips have a stainless steel finish, Decorative Clip finishes match the fixture finishes
- Canopy Finishes come in White.

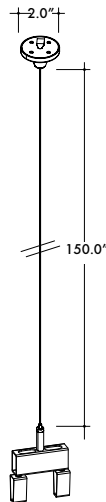
SP/SPD

SC-1MP2-SCL-0X
Suspension Kit with Single Clip,
Ø2.0" canopy, 150" A/C Cable



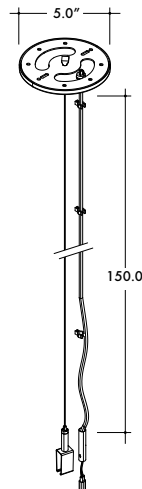
Used approximately every 30" of linear/arc length

SC-1MP2-DCL-0X
Suspension Kit with Joiner Clip,
Ø2.0" canopy, 150" A/C Cable



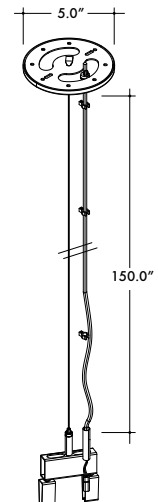
Use to join two fixtures together in the middle of a Suspended Run

SC-1FC5-SCL-C2-0X
Powerfeed Canopy Suspension Kit with
Single Clip, Ø5.0" canopy, 150" A/C Cable



Used at the start of every Suspended Run

SC-1FC5-DCL-C2-0X
Powerfeed Canopy Suspension Kit with Joiner
Clip, Ø5.0" canopy, 150" A/C Cable



Used to join two fixtures together and to drop power in the middle of a Suspended Run

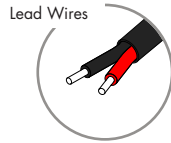
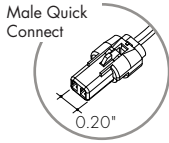
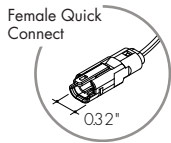
OX	Clip Finish	Canopy Finish
00	Stainless Steel	<input type="checkbox"/> White
01	Matte Black	<input type="checkbox"/> White
02	Matte Grey	<input type="checkbox"/> White
03	<input type="checkbox"/> Matte White	<input type="checkbox"/> White

Plexineon Suspended Mount

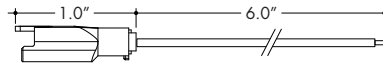
Static White and Monochrome Colors

Powerfeed and Connectors

- Connectors are included in the Plexineon runs per CCT option selected. Order extras as desired.



60-SJ-0002-08
Female Quick Connect
with 6" flying leads

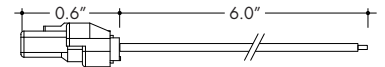


Female Quick Connect with flying leads can be connected to the Power Supply at the start of a run. Can also be used with the Male Quick Connect to make wire jumpers.

Also available with longer Flying Leads

60-SJ-C2-0002-01
Female Quick Connect
with 120" flying leads

60-SJ-0001-08
Male Quick Connect
with 6" flying leads



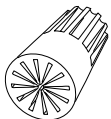
Male Quick Connect with flying leads can be used to make wire jumpers.

Also available with longer Flying Leads

60-SJ-C2-0001-01
Male Quick Connect
with 120" flying leads

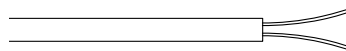
Additional Material

60-12-22AWGSBWN
Weatherproof Wire Nut Silicone Filled



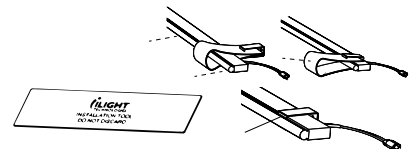
Order 2 per Power Supply.

55-STW02-050-00
50 ft of 14 gauge wire Black jacket,
2 conductors



Sunlight, moisture resistant, and flame retardant PVC jacket per UL 1277

70-TOL02-001-01
Mounting Clip Installation Tool



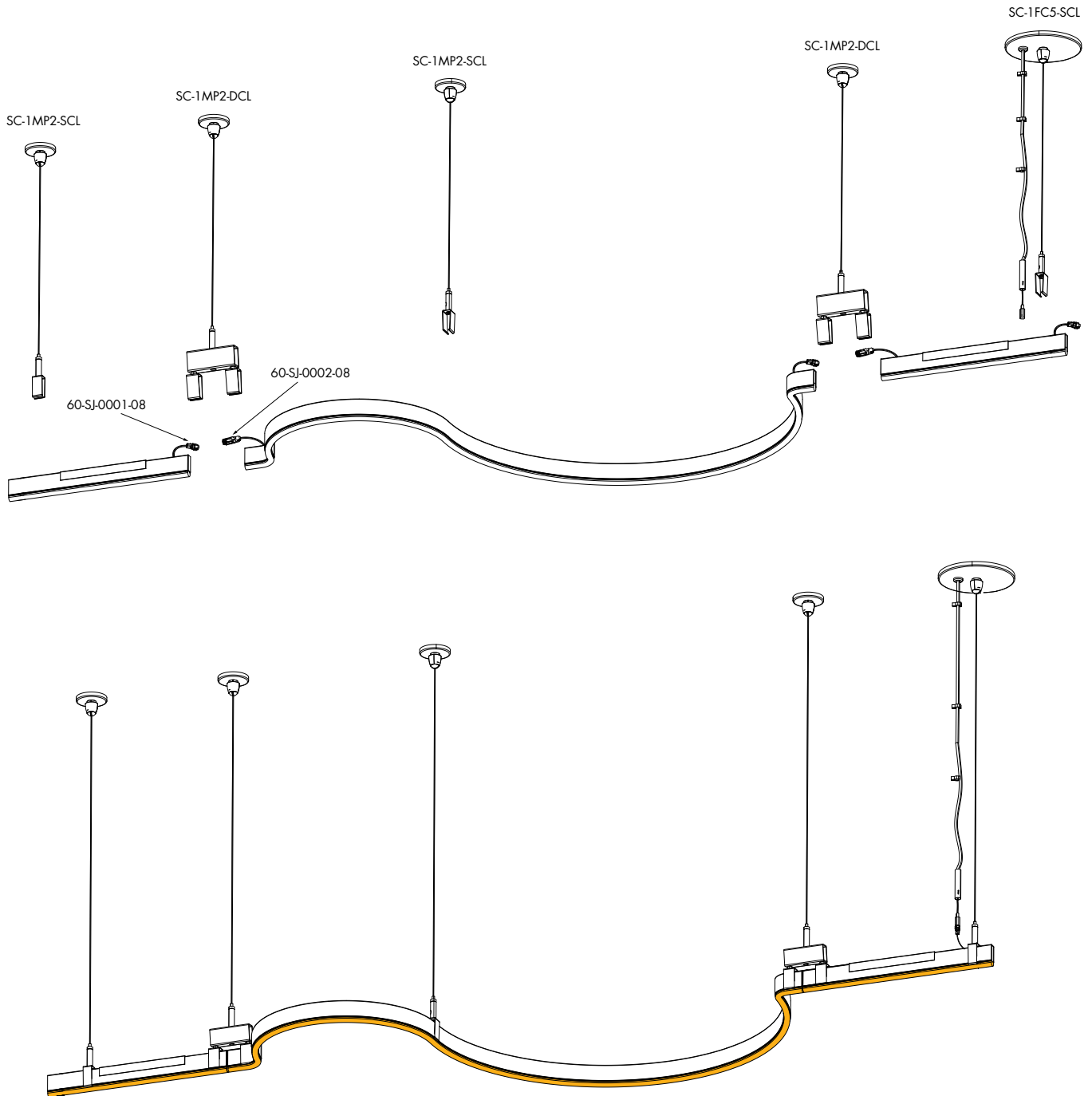
Use for installation of Plexineon into Mounting Clips

Plexineon Suspended Mount

Static White and Monochrome Colors

Sample Layout

PX-120-EB-30K-SO-F-SP-GG-B-4-QXXXXX
Plexineon Factory Bend, Suspended Mounting Clips





Power Consumption

Tested at Full Power with PDC Series power supplies.

Standard Nominal Lengths offered provide minimal shadowing. For alternate lengths, please consult Inside Sales with specific request.

Static White

Nominal Length (in)	Actual Length	Watts	Nominal Length (in)	Actual Length	Watts
7	6 6/16	1.5	54	53 10/16	14.5
9	8 6/16	2.1	56	55 10/16	15.2
11	10 5/16	2.6	58	57 9/16	15.7
13	12 5/16	3.1	60	59 9/16	16.2
15	14 4/16	3.6	62	61 8/16	16.6
17	16 4/16	4.1	64	63 8/16	17.4
19	18 3/16	4.8	66	65 7/16	17.6
20	20 3/16	5.3	68	67 7/16	18.1
22	22 2/16	5.8	70	69 6/16	18.5
24	24 2/16	6.5	72	71 6/16	19.3
26	26 1/16	7	74	73 5/16	19
28	28 1/16	7.5	76	75 5/16	19.5
30	30	8.2	78	77 4/16	20
32	32	8.7	80	79 4/16	20.7
34	33 15/16	9.2	82	81 3/16	21.2
36	35 15/16	9.9	83	83 3/16	21.7
38	37 14/16	10.4	85	85 2/16	22.4
40	39 14/16	10.8	87	87 2/16	22.9
42	41 13/16	11.6	89	89 1/16	23.4
44	43 13/16	11.9	91	91 1/16	23.9
46	45 12/16	12.5	93	93	24.3
48	47 12/16	12.8	95	95	24.8
50	49 11/16	13.5			
52	51 11/16	14			

Plexineon Suspended Mount

Static White and Monochrome Colors



Power Consumption

Tested at Full Power with PDC Series power supplies.

Standard Nominal Lengths offered provide minimal shadowing. For alternate lengths, please consult Inside Sales with specific request.

Monochrome															
Nominal Length (in)	Actual Length	Watts						Nominal Length (in)	Actual Length	Watts					
		Red	Yellow	Green	Teal	Blue	Magenta			Red	Yellow	Green	Teal	Blue	Magenta
7	6 6/16	0.6	1.4	0.8	1.4	0.7	1.4	54	53 10/16	5.3	12.5	7.0	13.7	6.5	12.1
9	8 6/16	0.8	1.6	1.0	1.9	1.0	1.6	56	55 10/16	5.5	12.8	7.2	14.2	6.8	12.5
11	10 5/16	1.0	2.1	1.2	2.6	1.2	2.1	58	57 9/16	5.8	13.5	7.5	14.7	7.0	23.8
13	12 5/16	1.2	2.9	1.4	3.1	1.4	2.6	60	59 9/16	5.8	14.0	7.7	15.2	7.2	12.8
15	14 4/16	1.3	3.1	1.6	3.3	1.6	3.1	62	61 8/16	6.3	14.2	8.2	15.7	7.5	13.7
17	16 4/16	1.4	3.6	1.9	3.8	1.9	3.6	64	63 8/16	6.5	14.7	8.4	16.2	7.7	14.2
19	18 3/16	1.6	4.1	2.1	4.6	2.1	3.8	66	65 7/16	6.7	15.2	8.7	16.5	8.2	14.7
20	20 3/16	1.9	4.6	2.6	5.0	2.1	4.6	68	67 7/16	6.7	15.7	8.9	17.1	8.4	15.2
22	22 2/16	1.9	5.0	2.9	5.5	2.6	5.0	70	69 6/16	7.0	16.2	9.2	17.6	8.4	15.7
24	24 2/16	2.1	5.5	3.1	6.3	2.9	5.3	72	71 6/16	7.0	16.6	9.2	17.8	8.7	15.9
26	26 1/16	2.6	6.3	3.3	6.7	3.1	5.8	74	73 5/16	7.2	17.1	9.4	18.3	8.9	16.3
28	28 1/16	2.9	6.5	3.6	7.0	3.3	6.3	76	75 5/16	7.5	17.4	9.9	18.8	9.2	16.6
30	30	3.1	7.0	3.8	7.5	3.6	6.7	78	77 4/16	7.7	17.8	10.1	19.3	9.4	17.1
32	32	3.1	7.2	4.1	8.2	3.8	7.0	80	79 4/16	7.7	18.1	10.4	19.8	9.6	17.6
34	33 15/16	3.3	7.7	4.6	8.7	4.1	7.5	82	81 3/16	8.2	18.3	10.6	20.2	9.9	18.1
36	35 15/16	3.6	8.4	4.8	9.1	4.6	8.2	83	83 3/16	8.4	19.1	10.8	21.0	10.1	18.3
38	37 14/16	3.8	8.9	5.0	9.7	4.8	8.4	85	85 2/16	8.4	19.3	10.8	21.2	10.4	18.8
40	39 14/16	3.8	9.2	5.3	10.1	4.8	8.9	87	87 2/16	8.7	19.8	11.1	21.7	10.6	19.0
42	41 13/16	4.1	9.9	5.3	10.6	5.0	9.4	89	89 1/16	8.9	20.0	11.6	21.9	10.8	19.5
44	43 13/16	4.6	10.1	5.5	11.1	5.3	9.9	91	91 1/16	9.2	21.0	11.8	22.9	11.1	20.0
46	45 12/16	4.6	10.6	6.1	11.8	5.5	10.4	93	93	9.2	21.0	11.8	23.1	11.1	20.3
48	47 12/16	4.8	11.1	6.3	12.3	5.8	10.6	95	95	9.2	21.0	11.8	23.2	11.6	20.7
50	49 11/16	5.0	11.6	6.5	12.5	6.3	11.1								
52	51 11/16	5.3	12.1	6.7	13.0	6.5	11.6								



Voltage Drop Calculator

The below chart assumes nominal voltage of 24 Volts and a Voltage Drop Allowance of 3% through the wire

Wattage [W]	Maximum Wire Length From Power Supply to Start of Run [ft]						
	12 AWG	14 AWG	16 AWG	18 AWG	20 AWG	22 AWG	24 AWG
5	1088.2	684.4	430.3	270.6	170.2	107.1	67.3
10	544.1	342.2	215.1	135.3	85.1	53.5	33.7
15	362.7	228.1	143.4	90.2	56.7	35.7	22.4
20	272.0	171.1	107.6	67.7	42.6	26.8	16.8
25	217.6	136.9	86.1	54.1	34.0	21.4	13.5
30	181.4	114.1	71.7	45.1	28.4	17.8	11.2
35	155.5	97.8	61.5	38.7	24.3	15.3	9.6
40	136.0	85.5	53.8	33.8	21.3	13.4	8.4
45	120.9	76.0	47.8	30.1	18.9	11.9	7.5
50	108.8	68.4	43.0	27.1	17.0	10.7	6.7
55	98.9	62.2	39.1	24.6	15.5	9.7	6.1
60	90.7	57.0	35.9	22.6	14.2	8.9	5.6
65	83.7	52.6	33.1	20.8	13.1	8.2	5.2
70	77.7	48.9	30.7	19.3	12.2	7.6	4.8
75	72.5	45.6	28.7	18.0	11.3	7.1	4.5
80	68.0	42.8	26.9	16.9	10.6	6.7	4.2
85	64.0	40.3	25.3	15.9	10.0	6.3	4.0
90	60.5	38.0	23.9	15.0	9.5	5.9	3.7
96	56.7	35.6	22.4	14.1	8.9	5.6	3.5

Plexineon Suspended Mount

Static White and Monochrome Colors



Common Applications

Custom Indoor Designs | Coves | Signs | Building Facades | Lobbies | Hallways | Statement Pieces | Restaurants
Corporate Offices | Schools | Residential Towers | Parking Garages | Hotels | Bridges | Benches | Airports



Plexineon Suspended Mount

Static White and Monochrome Colors



Power Supplies

See Power Supply instructions and spec sheet for wiring information. For a complete list of compatible dimmers, see Compatible Dimming Chart on the Resources page.

Ordering Code Universal Dimming Power Supplies 1% 120VAC - 277VAC

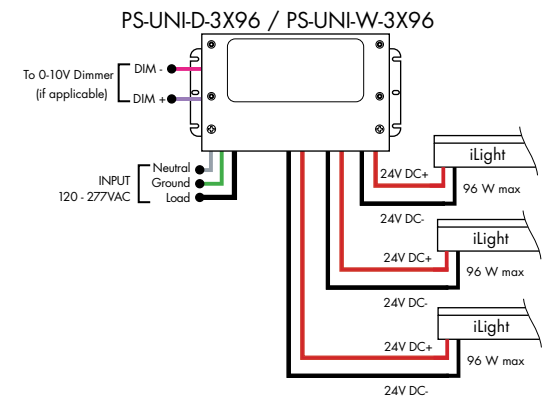
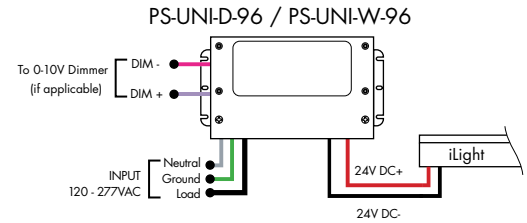
MODEL	INPUT CONTROL	ENVIRONMENT	WATTAGE	OUTPUT
PS-Power Supply, 120-277VAC	UNI-0-10V Dimming, Phase Dimming	D-Dry W-Wet	30-30 Watts 60-60 Watts 96-96 Watts 3x96-3x96 Watts	24-24 VDC

Compatibility: View a complete list of compatible dimmers on product page ([Link](#))

0-10V - 1% dimming
MLV/ELV/TRIAC - 1% dimming, consult dimming compatibility chart

MODELS	PS-UNI-W-30W	PS-UNI-W-60W	PS-UNI-W-96W	PS-UNI-W-3X96W
Length	6.50"	7.40"	8.66"	11.85"
Width	3.73"	3.73"	3.73"	4.32"
Depth	1.61"	1.61"	1.61"	1.81"

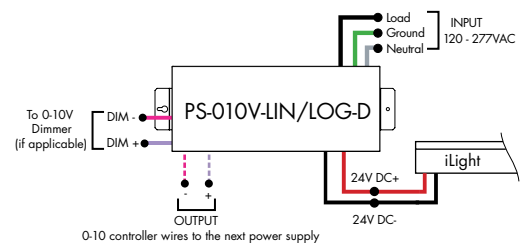
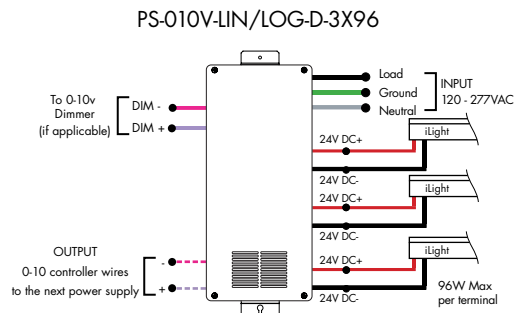
MODELS	PS-UNI-D-30W	PS-UNI-D-60W	PS-UNI-D-96W	PS-UNI-D-3X96W
Length	8.77"	8.77"	8.11"	9.94"
Width	4.27"	4.27"	5.60"	7.61"
Depth	1.83"	1.83"	1.83"	2.02"



Ordering Code 0-10V Dimming Power Supplies 0.1% 120VAC - 277VAC

MODEL	INPUT CONTROL	ENVIRONMENT	WATTAGE	OUTPUT
PS-Power Supply, 120-277VAC	010VLIN-0-10V Dimming (0.1%), Linear 010VLOG-0-10V Dimming (0.1%), Logarithmic	D-Dry	96-96 Watts 3X96-3x96 Watts	24-24 VDC

MODELS	96W	3X96
Length	14.40"	15.00"
Width	5.20"	6.62"
Depth	2.60"	4.45"



Plexineon Suspended Mount

Static White and Monochrome Colors



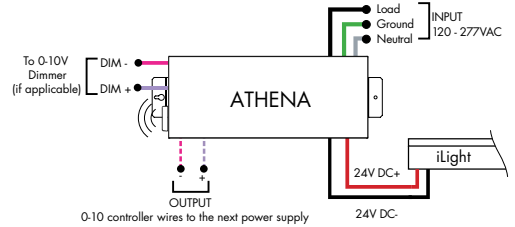
Power Supplies

See Power Supply instructions and spec sheet for wiring information. For a complete list of compatible dimmers, see Compatible Dimming Chart on the Resources page.

Athena 0-10V LED Driver

MODEL	INPUT CONTROL	ENVIRONMENT	WATTAGE	OUTPUT	FEATURE
PS-Power Supply, 120-277VAC	010V-LIN-0-10V Dimming, Linear 010V-LOG 0-10V Dimming, Logarithmic	D-Dry	96-96 W	24-24 VDC	AWN-R-Athena

MODELS	96W
Length	14.40"
Width	5.20"
Depth	2.60"

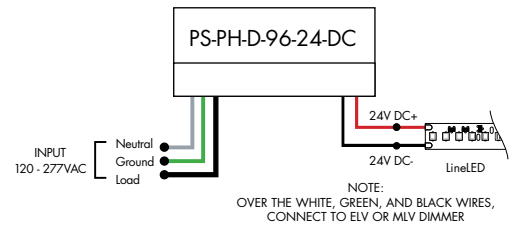


Ordering Code Phase Dimming Power Supply 1% 120VAC - 277VAC

MODEL	INPUT CONTROL	ENVIRONMENT	WATTAGE	OUTPUT	OUTPUT CONTROL
PS-Power Supply, 120-277VAC	PH-Phase Dimming (Triac, ELV, MLV)	D-Dry	96-96 Watts	24-24 VDC	DC-Direct Current

MLV/ELV/TRIAC - 1% dimming, consult dimming compatibility chart ([Link](#))

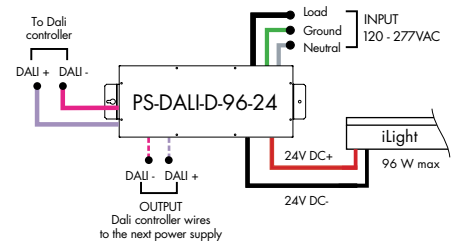
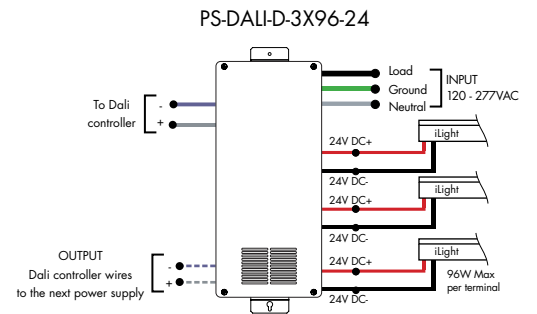
MODELS	96W
Length	8.25"
Width	4.10"
Depth	1.56"



Ordering Code DALI Dimming Power Supplies 0.1% 120VAC - 277VAC

MODEL	INPUT CONTROL	ENVIRONMENT	WATTAGE	OUTPUT
PS-Power Supply, 120-277VAC	DALI-DALI (0.1%)	D-Dry	96-96 Watts 3X96-3X96 Watts	24-24 VDC

Model	96W	3X96
Length	14.40"	15.00"
Width	5.20"	6.62"
Depth	2.60"	4.56"



Plexineon Suspended Mount

Static White and Monochrome Colors



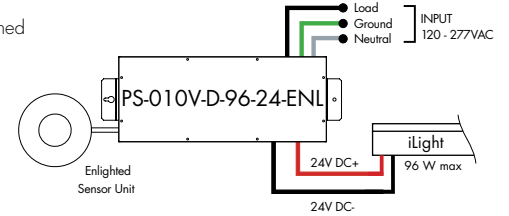
Power Supplies

See Power Supply instructions and spec sheet for wiring information. For a complete list of compatible dimmers, see Compatible Dimming Chart on the Resources page.

Ordering Code Enlightened Enabled Dimming Power Supplies 1% 120VAC - 277VAC

MODEL	INPUT CONTROL	ENVIRONMENT	WATTAGE	OUTPUT	FEATURE
PS-Power Supply, 120-277VAC	010V-0-10V Dimming (1%)	D-Dry	96-96 Watts	24-24 VDC	ENL-0-10V Enlightened

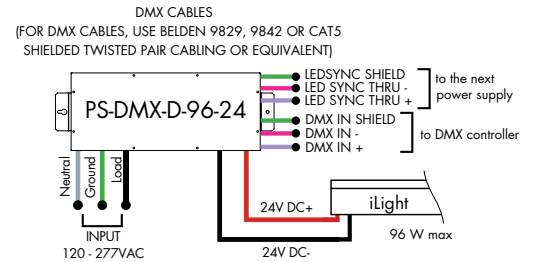
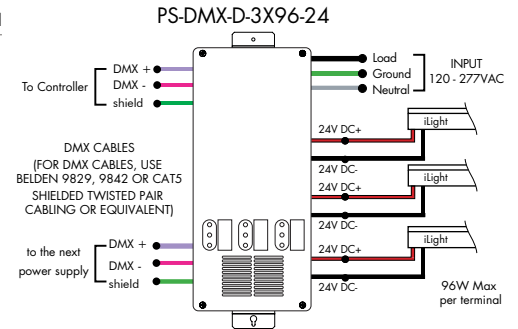
Model	96W
Length	14.40"
Width	5.20"
Depth	2.60"



Ordering Code DMX Dimming Power Supplies 0.1% 120VAC - 277VAC Requires Zonal Control

MODEL	INPUT CONTROL	ENVIRONMENT	WATTAGE	OUTPUT
PS-Power Supply, 120-277VAC	DMX-DMX (0.1%)	D-Dry	96-96 Watts 3X96-3X96 Watts	24-24 VDC

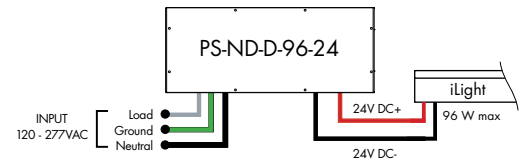
MODELS	96W	3X96
Length	14.40"	15.00"
Width	5.20"	6.62"
Depth	2.60"	4.56"



Ordering Code Non-Dimming Power Supply 120VAC - 277VAC

MODEL	INPUT CONTROL	ENVIRONMENT	WATTAGE	OUTPUT
PS-Power Supply, 120-277VAC	ND-Non Dimming	D-Dry	96-96 Watts	24-24 VDC

MODELS	96W
Length	14.40"
Width	5.20"
Depth	2.60"



Plexineon Suspended Mount

Static White and Monochrome Colors



Power Supplies

See Power Supply instructions and spec sheet for wiring information. For a complete list of compatible dimmers, see Compatible Dimming Chart on the Resources page.



Luminii is a Lutron OEM Advantage Partner

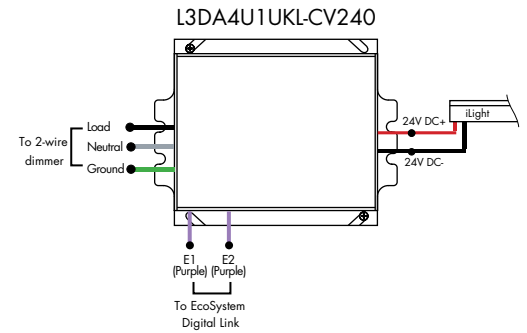
Lutron Power Supplies 1%

MODEL

L3DA4U1UKL-CV240

HiLume™ 1% EcoSystem Voltage LED driver
40W max

MODELS	L3DA4U1UKL-CV240
Length	4.98"
Width	4.00"
Depth	2.62"



Luminii is a Lutron OEM Advantage Partner

Lutron Power Supplies 0.1%

MODEL

L3D0-96W24V-U

HiLume™ 0.1% EcoSystem Voltage LED Driver with Soft-On, Fade-to-Black™
96W max

MODELS	L3D0
Length	10.50"
Width	5.50"
Depth	2.00"

