

# PICO ZOOM S JACK

12° ZOOM BEAM

STATIC WHITE

## OVERVIEW

Pico Zoom S Jack is a Constant Current single source LED spotlight that is machined from aerospace grade aluminium 6063-T6 and comes as standard in white, black and brushed aluminium. It has a tool-less mechanical zoom for ultimate flexibility post installation and is fully adjustable with lockable 360° pan and 180° tilt. The zoom beam in our 2.24W 180lm module has a peak intensity of 1276cd. The luminaire is compatible with our Minipoint system that enables a plug and play setup where luminaires can be swapped to suit changing lighting requirements.



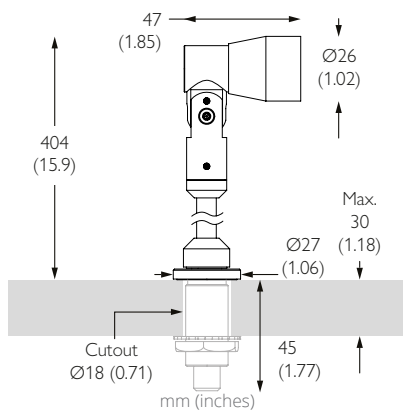
UK PART L	Part L1A / L1B (Dwellings)	EXEMPT
	Part L2A (General)	EXEMPT
	Part L2A (Display)	EXEMPT



## PERFORMANCE

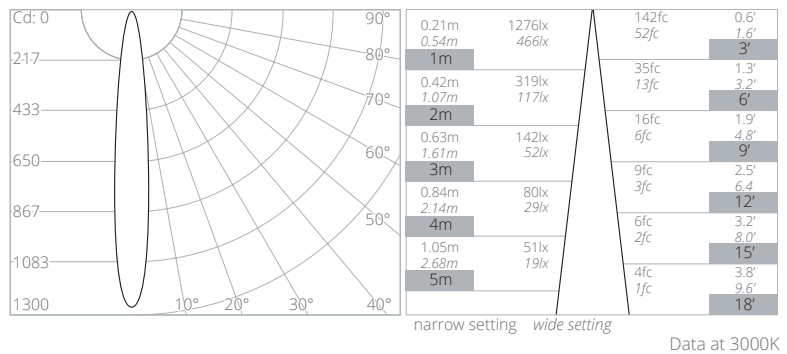
FWHM	12° to 30° Zoom	Category	IP20
Luminous Flux	160 lm	Material	Machined AL 6063-T6
Peak Intensity	1276 cd	Finishes	Brushed Aluminium   Black RAL9005   White RAL9010
CCT	2700K   3000K	Weight	135g   0.30lb
CRI Min.	95 TYP	Mounting	Minipoints
Drive Current	700 mA	Movement	Pan 360°   Tilt 180°
Nom. Voltage	3.2 V	Lockable	Pan & Tilt
Max. Wattage	2.24 W	Accessories	N/A   N/A
Dimming	0-10V   DALI	TM65   TM66	9.74kgCO2e   2.4
Driver Type	Constant Current   Remote	Lifetime	L90B10 100,000hrs   5 year warranty
Class	SELV   Class III		

## DIMENSIONS



## PHOTOMETRY

CCT	Multiplier
2700K	x1.00
3000K	x1.00



## LUMINAIRE ORDER CODE

Model	Finish	CCT	Beam Angle
807	-	-	-
	WH White RAL 9010	2795 2700K 95CRI	ZO Zoom 12° - 30°
	BK Black RAL 9005	3095 3000K 95CRI	
	AL Brushed Aluminium		
	RB Rubbed Bronze		
	PB Polished Brass		
	SB Brushed Brass		

## MINIPOINT ORDER CODE

Model	Finish
770-M-A-DC	-
	WH White RAL 9010
	EBA Black RAL 9005
	AL Brushed Aluminium
	RB Rubbed Bronze
	PB Polished Brass
	SB Brushed Brass

Example Code: 807-WH-3095ZO

\*Premium & custom finishes are built to order, subject to an extended lead time & MOQ  
See Drivers, Power Supplies and Accessories sections for further order codes

Example Code: 770-M-A-DC-WH

## DRIVERS

### 20W | DIMMING: DALI OR 0-10V

NO. OF LIGHTS PER DRIVER 1 to 8 in series

MIN DIM LEVEL 0.1%

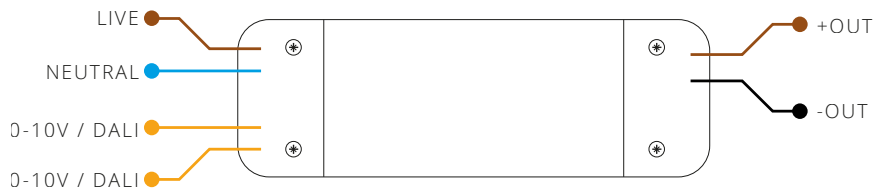
VOLTAGE REGION 230V

FOR NORTH AMERICA No

WATTAGE 20W

SUPPLY TYPE Constant Current

DRIVER LOCATION Remote



DALI CODE PSCC-20-700-D-EL

0-10V CODE PSCC-20-700-A-EL

LENGTH 160mm (6.30") WIDTH 41mm (1.63") HEIGHT 30mm (1.18")



### 30W | DIMMING: DALI OR 0-10V

NO. OF LIGHTS PER DRIVER 1 to 12 in series

MIN DIM LEVEL 0.1%

VOLTAGE REGION 120V

FOR NORTH AMERICA Yes

WATTAGE 30W

SUPPLY TYPE Constant Current

DRIVER LOCATION Remote



DALI CODE USCC-30-700-D-EL-ENC

0-10V CODE USCC-30-700-A-EL-ENC

LENGTH 348mm (13.7") WIDTH 65mm (2.6") HEIGHT 47mm (1.9")

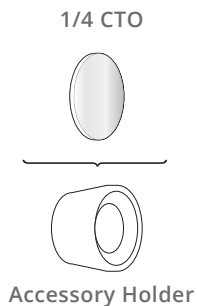


# PICO SERIES SPOTLIGHT ACCESSORIES

FOR USE WITH PICO PLUS

## ACCESSORIES

Included as standard with a Pico Plus, available as a standalone addition with below part code.



### Pico Plus Accessory Holder

*Screw on lens holder*

**HEIGHT** 29mm ( 1.142" )

**DAIMETER** 26mm ( 1.024" )

**PART CODE** 704-AL - Brushed Aluminium  
704-BK - Black  
704-WH - White

### 1/4 CTO Dichroic

*CCT warming - approx 300K*

**THICKNESS** 1.8mm ( 0.071" )

**DAIMETER** 20mm ( 0.787" )

**PART CODE** 997-1/4CTO-20



## OPTICS

### Primary Optic

*Primary beam angle control*



**12° CODE** 701-12

**30° CODE** 701-30

**60° CODE** 701-60

# MINIPOINT JACK SYSTEM

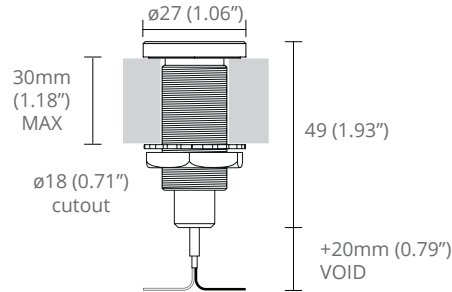
## MOUNTING OPTIONS

### MOUNTING OPTIONS

#### NODE MINIPOINT

For mounting into cabinetry

MINIPOINT CODE	FINISH
770-M-A-DC-AL	Brushed Aluminium
770-M-A-DC-WH	White RAL 9010
770-M-A-DC-EBA	Black RAL 9005
770-M-A-DC-AL	Rubbed Bronze
770-M-A-DC-AL	Polished Brass
770-M-A-DC-AL	Brushed Brass



#### MINIPOINT PLUG

For closing an open circuit / unused minipoint

MINIPOINT CODE	FINISH
770-BPA-AL	Brushed Aluminium
770-BPA-WH	White RAL 9010
770-BPA-EBA	Black RAL 9005
770-BPA-RB	Rubbed Bronze
770-BPA-PB	Polished Brass
770-BPA-SB	Brushed Brass

