

PICO S JACK

12° NARROW BEAM

STATIC WHITE

OVERVIEW

Pico S Jack is a Constant Current single source LED spotlight that is machined from aerospace grade aluminium 6063-T6 and comes as standard in white, black and brushed aluminium. It has three site-changeable optics for flexible beam distribution and is fully adjustable with lockable 360° pan and 180° tilt. The narrow beam in our 2.24W 180lm module has a peak intensity of 1566cd. A snoot and accessory holder snoot is available separately. The luminaire is compatible with our Minipoint system that enables a plug and play setup where luminaires can be swapped to suit changing lighting requirements.



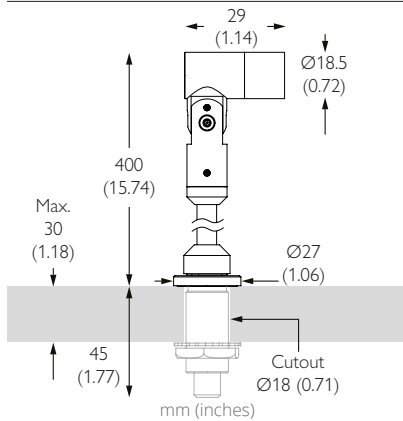
| | | |
|-----------|----------------------------|--------|
| UK PART L | Part L1A / L1B (Dwellings) | EXEMPT |
| | Part L2A (General) | EXEMPT |
| | Part L2A (Display) | EXEMPT |



PERFORMANCE

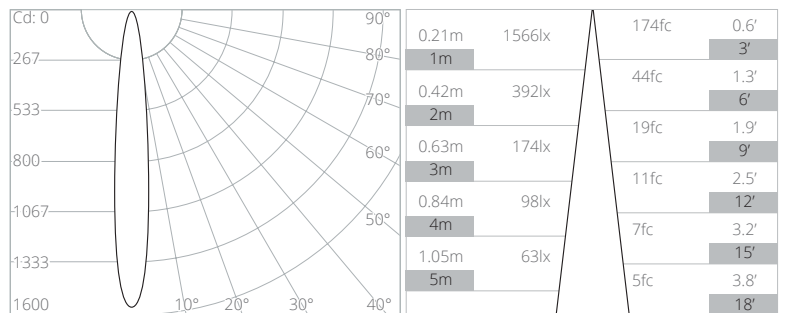
| | | | |
|----------------|---------------------------|-------------|---|
| FWHM | 12° | Category | IP20 |
| Luminous Flux | 164 lm | Material | Machined AL 6063-T6 |
| Peak Intensity | 1566 cd | Finishes | Brushed Aluminium Black RAL9005 White RAL9010 |
| CCT | 2700K 3000K | Weight | 120g 0.26lb |
| CRI Min. | 95 TYP | Mounting | Minipoints |
| Drive Current | 700 mA | Movement | Pan 360° Tilt 180° |
| Nom. Voltage | 3.2 V | Lockable | Pan & Tilt |
| Max. Wattage | 2.24 W | Accessories | Pico Plus Attachment Snoots |
| Dimming | 0-10V DALI | TM65 TM66 | 9.3kgCO2e 2.4 |
| Driver Type | Constant Current Remote | Lifetime | L90B10 100,000hrs 5 year warranty |
| Class | SELV Class III | | |

DIMENSIONS



PHOTOMETRY

| CCT | Multiplier |
|-------|------------|
| 2700K | x1.00 |
| 3000K | x1.00 |



Data at 3000K

LUMINAIRE ORDER CODE

| Model | Finish | CCT | Beam Angle |
|-------|----------------------|------------------|------------|
| 802 | - | - | - |
| | WH White RAL 9010 | 2795 2700K 95CRI | 12 Narrow |
| | BK Black RAL 9005 | 3095 3000K 95CRI | 30 Medium |
| | AL Brushed Aluminium | | 60 Flood |
| | RB Rubbed Bronze | | |
| | PB Polished Brass | | |
| | SB Brushed Brass | | |

MINIPOINT ORDER CODE

| Model | Finish |
|------------|----------------------|
| 770-M-A-DC | - |
| | WH White RAL 9010 |
| | EBA Black RAL 9005 |
| | AL Brushed Aluminium |
| | RB Rubbed Bronze |
| | PB Polished Brass |
| | SB Brushed Brass |

Example Code: 802-WH-309512

*Premium & custom finishes are built to order, subject to an extended lead time & MOQ
See Drivers, Power Supplies and Accessories sections for further order codes

Example Code: 770-M-A-DC-WH

PICO S JACK

30° MEDIUM BEAM

STATIC WHITE

OVERVIEW

Pico S Jack is a Constant Current single source LED spotlight that is machined from aerospace grade aluminium 6063-T6 and comes as standard in white, black and brushed aluminium. It has three site-changeable optics for flexible beam distribution and is fully adjustable with lockable 360° pan and 180° tilt. The medium beam in our 2.24W 180lm module has a peak intensity of 470cd. A snoot and accessory holder snoot is available separately. The luminaire is compatible with our Minipoint system that enables a plug and play setup where luminaires can be swapped to suit changing lighting requirements.



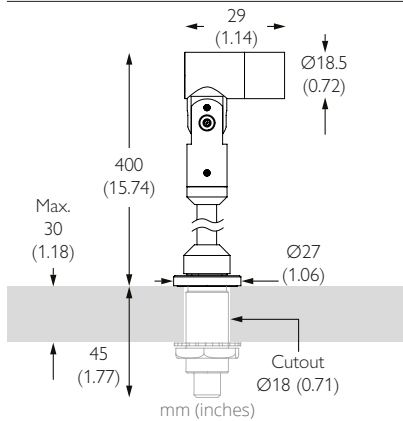
| | | |
|-----------|----------------------------|--------|
| UK PART L | Part L1A / L1B (Dwellings) | EXEMPT |
| | Part L2A (General) | EXEMPT |
| | Part L2A (Display) | EXEMPT |



PERFORMANCE

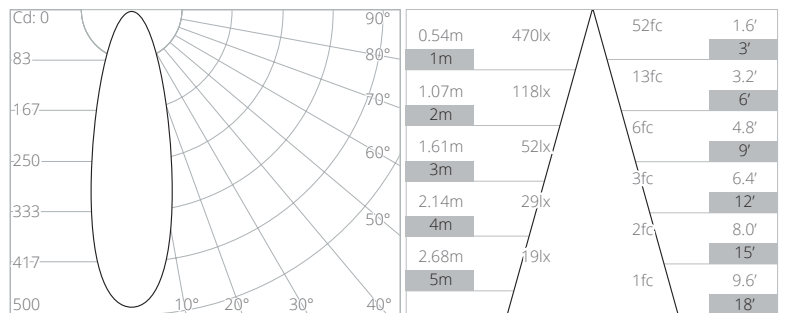
| | | | |
|----------------|---------------------------|-------------|---|
| FWHM | 30° | Category | IP20 |
| Luminous Flux | 150 lm | Material | Machined AL 6063-T6 |
| Peak Intensity | 470 cd | Finishes | Brushed Aluminium Black RAL9005 White RAL9010 |
| CCT | 2700K 3000K | Weight | 120g 0.26lb |
| CRI Min. | 95 TYP | Mounting | Minipoints |
| Drive Current | 700 mA | Movement | Pan 360° Tilt 180° |
| Nom. Voltage | 3.2 V | Lockable | Pan & Tilt |
| Max. Wattage | 2.24 W | Accessories | Pico Plus Attachment Snoots |
| Dimming | 0-10V DALI | TM65 TM66 | 9.3kgCO2e 2.4 |
| Driver Type | Constant Current Remote | Lifetime | L90B10 100,000hrs 5 year warranty |
| Class | SELV Class III | | |

DIMENSIONS



PHOTOMETRY

| CCT | Multiplier |
|-------|------------|
| 2700K | x1.00 |
| 3000K | x1.00 |



Data at 3000K

LUMINAIRE ORDER CODE

| Model | Finish | CCT | Beam Angle |
|-------|----------------------|------------------|------------|
| 802 | - | - | - |
| | WH White RAL 9010 | 2795 2700K 95CRI | 12 Narrow |
| | BK Black RAL 9005 | 3095 3000K 95CRI | 30 Medium |
| | AL Brushed Aluminium | | 60 Flood |
| | RB Rubbed Bronze | | |
| | PB Polished Brass | | |
| | SB Brushed Brass | | |

MINIPOINT ORDER CODE

| Model | Finish |
|------------|----------------------|
| 770-M-A-DC | - |
| | WH White RAL 9010 |
| | EBA Black RAL 9005 |
| | AL Brushed Aluminium |
| | RB Rubbed Bronze |
| | PB Polished Brass |
| | SB Brushed Brass |

Example Code: 802-WH-309530

*Premium & custom finishes are built to order, subject to an extended lead time & MOQ
See Drivers, Power Supplies and Accessories sections for further order codes

Example Code: 770-M-A-DC-WH

PICO S JACK

60° FLOOD BEAM

STATIC WHITE

OVERVIEW

Pico S Jack is a Constant Current single source LED spotlight that is machined from aerospace grade aluminium 6063-T6 and comes as standard in white, black and brushed aluminium. It has three site-changeable optics for flexible beam distribution and is fully adjustable with lockable 360° pan and 180° tilt. The flood beam in our 2.24W 180lm module has a peak intensity of 163cd. A snoot and accessory holder snoot is available separately. The luminaire is compatible with our Minipoint system that enables a plug and play setup where luminaires can be swapped to suit changing lighting requirements.



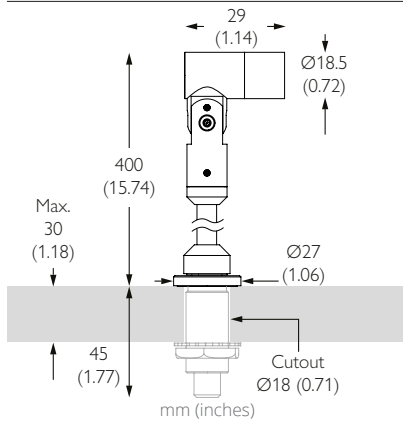
| | | |
|-----------|----------------------------|--------|
| UK PART L | Part L1A / L1B (Dwellings) | EXEMPT |
| | Part L2A (General) | EXEMPT |
| | Part L2A (Display) | EXEMPT |



PERFORMANCE

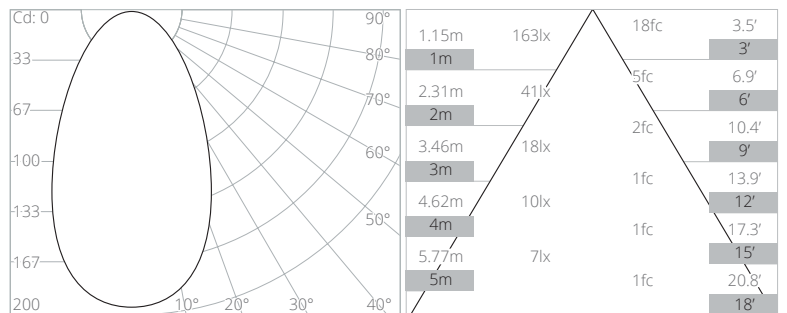
| | | | |
|----------------|---------------------------|-------------|---|
| FWHM | 60° | Category | IP20 |
| Luminous Flux | 163 lm | Material | Machined AL 6063-T6 |
| Peak Intensity | 163 cd | Finishes | Brushed Aluminium Black RAL9005 White RAL9010 |
| CCT | 2700K 3000K | Weight | 120g 0.26lb |
| CRI Min. | 95 TYP | Mounting | Minipoints |
| Drive Current | 700 mA | Movement | Pan 360° Tilt 180° |
| Nom. Voltage | 3.2 V | Lockable | Pan & Tilt |
| Max. Wattage | 2.24 W | Accessories | Pico Plus Attachment Snoots |
| Dimming | 0-10V DALI | TM65 TM66 | 9.3kgCO2e 2.4 |
| Driver Type | Constant Current Remote | Lifetime | L90B10 100,000hrs 5 year warranty |
| Class | SELV Class III | | |

DIMENSIONS



PHOTOMETRY

| CCT | Multiplier |
|-------|------------|
| 2700K | x1.00 |
| 3000K | x1.00 |



Data at 3000K

LUMINAIRE ORDER CODE

| Model | Finish | CCT | Beam Angle |
|-------|----------------------|------------------|------------|
| 802 | - | - | - |
| | WH White RAL 9010 | 2795 2700K 95CRI | 12 Narrow |
| | BK Black RAL 9005 | 3095 3000K 95CRI | 30 Medium |
| | AL Brushed Aluminium | | 60 Flood |
| | RB Rubbed Bronze | | |
| | PB Polished Brass | | |
| | SB Brushed Brass | | |

MINIPOINT ORDER CODE

| Model | Finish |
|------------|----------------------|
| 770-M-A-DC | - |
| | WH White RAL 9010 |
| | EBA Black RAL 9005 |
| | AL Brushed Aluminium |
| | RB Rubbed Bronze |
| | PB Polished Brass |
| | SB Brushed Brass |

Example Code: 802-WH-309560

*Premium & custom finishes are built to order, subject to an extended lead time & MOQ
See Drivers, Power Supplies and Accessories sections for further order codes

Example Code: 770-M-A-DC-WH

DRIVERS

20W | DIMMING: DALI OR 0-10V

NO. OF LIGHTS PER DRIVER 1 to 8 in series

MIN DIM LEVEL 0.1%

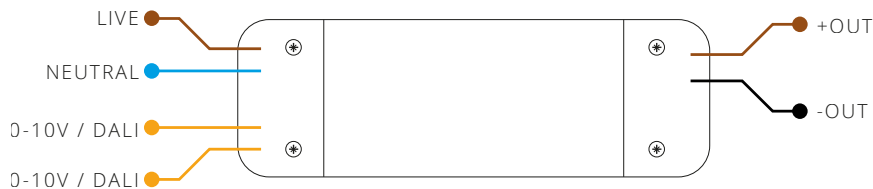
VOLTAGE REGION 230V

FOR NORTH AMERICA No

WATTAGE 20W

SUPPLY TYPE Constant Current

DRIVER LOCATION Remote



DALI CODE PSCC-20-700-D-EL

0-10V CODE PSCC-20-700-A-EL

LENGTH 160mm (6.30") WIDTH 41mm (1.63") HEIGHT 30mm (1.18")



30W | DIMMING: DALI OR 0-10V

NO. OF LIGHTS PER DRIVER 1 to 12 in series

MIN DIM LEVEL 0.1%

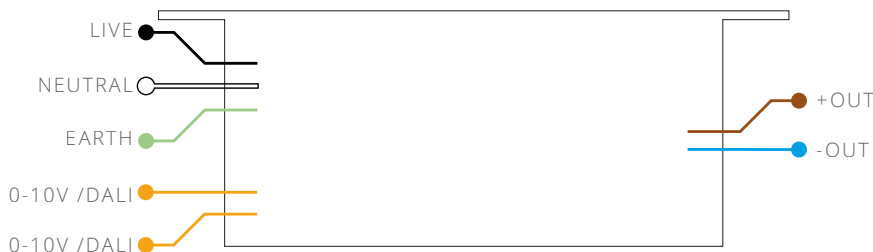
VOLTAGE REGION 120V

FOR NORTH AMERICA Yes

WATTAGE 30W

SUPPLY TYPE Constant Current

DRIVER LOCATION Remote



DALI CODE USCC-30-700-D-EL-ENC

0-10V CODE USCC-30-700-A-EL-ENC

LENGTH 348mm (13.7") WIDTH 65mm (2.6") HEIGHT 47mm (1.9")

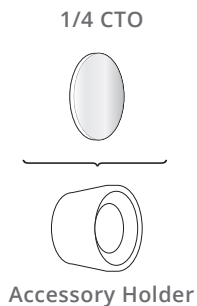


PICO SERIES SPOTLIGHT ACCESSORIES

FOR USE WITH PICO PLUS

ACCESSORIES

Included as standard with a Pico Plus, available as a standalone addition with below part code.



Pico Plus Accessory Holder

Screw on lens holder

HEIGHT 29mm (1.142")

DAIMETER 26mm (1.024")

PART CODE 704-AL - Brushed Aluminium
704-BK - Black
704-WH - White

1/4 CTO Dichroic

CCT warming - approx 300K

THICKNESS 1.8mm (0.071")

DAIMETER 20mm (0.787")

PART CODE 997-1/4CTO-20



OPTICS

Primary Optic

Primary beam angle control



12° CODE 701-12

30° CODE 701-30

60° CODE 701-60

MINIPOINT JACK SYSTEM

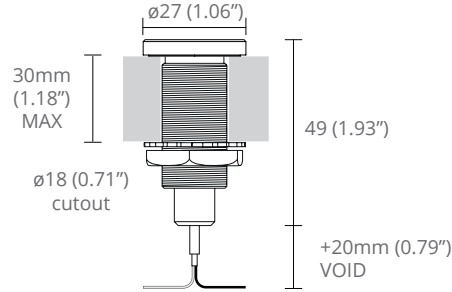
MOUNTING OPTIONS

MOUNTING OPTIONS

NODE MINIPOINT

For mounting into cabinetry

| MINIPOINT CODE | FINISH |
|----------------|-------------------|
| 770-M-A-DC-AL | Brushed Aluminium |
| 770-M-A-DC-WH | White RAL 9010 |
| 770-M-A-DC-EBA | Black RAL 9005 |
| 770-M-A-DC-AL | Rubbed Bronze |
| 770-M-A-DC-AL | Polished Brass |
| 770-M-A-DC-AL | Brushed Brass |



MINIPOINT PLUG

For closing an open circuit / unused minipoint

| MONOPOINT CODE | FINISH |
|----------------|-------------------|
| 770-BPA-AL | Brushed Aluminium |
| 770-BPA-WH | White RAL 9010 |
| 770-BPA-EBA | Black RAL 9005 |
| 770-BPA-RB | Rubbed Bronze |
| 770-BPA-PB | Polished Brass |
| 770-BPA-SB | Brushed Brass |

