

**Features**

- Constant voltage output
- Input Voltage 120-277VAC
- Cooling by free air convection
- Full protection metal case
- Auto reset breakers, from short circuit, overloading, & over temperature
- Suitable for Dry locations
- 5 year Warranty

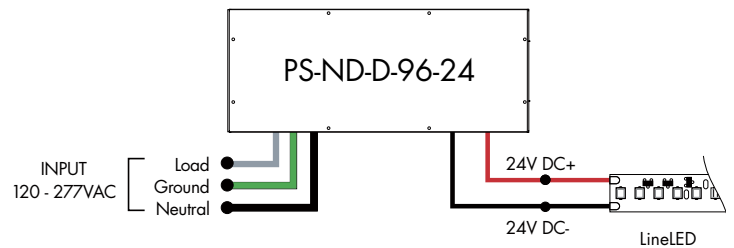


**Technical Information**

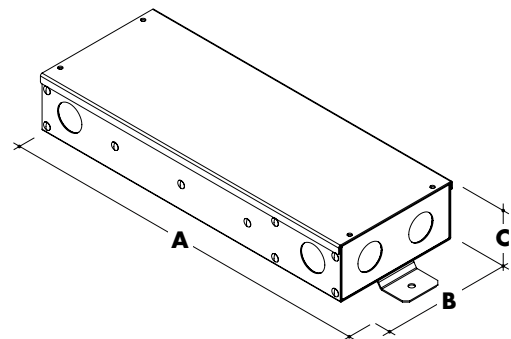
MODEL		PS-ND-D-96-24
ELECTRICAL	Voltage/ Frequency	120 - 277V AC @ 50/60Hz
	Inrush Current	70A @ 277V
	Power Factor	> 0.94 @ 120~277V*
	Efficiency	0.88 @ 120V* 0.89 @ 277V*
	Max Input Current	0.95A @ 120V 0.42A @ 277V
	Max Output Power	96W
	Max Output Current	4.0A
	Output Voltage	24V DC
	Total Harmonic Distortion	< 20%*
	Start Up Time	< 0.5S*
	Minimum Load	10%
RATING	Environment	Dry IP20   NEMA 1
	Compliance	UL 8750
	Ambient Operating Temperature Range	- 40 to 60°C
DIMENSIONS	Length A	8.25"
	Width B	3.80"
	Height C	1.58"
Net. Weight		2.2 lbs

\*At max load

**General Wiring Diagram**



**Dimensions**



**Ordering Code**

