

Features

- Class 2 DALI controlled LED Driver features eldoLED's LINEARdrive
- Configurable Dali drivers rated at 96 watt each
- Suitable For Damp Location
- 5 year Warranty



PLENUM FOR SUCH USE IN ACCORDANCE WITH UL2043

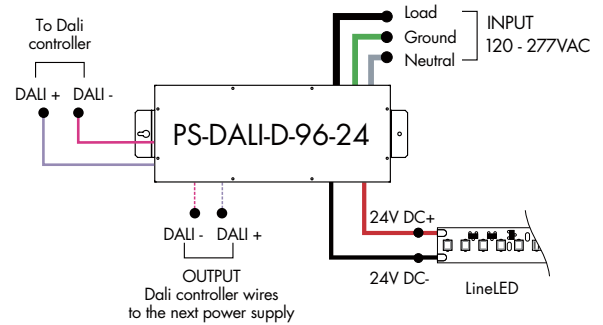
CLASS 2
TYPE HL

Technical Information

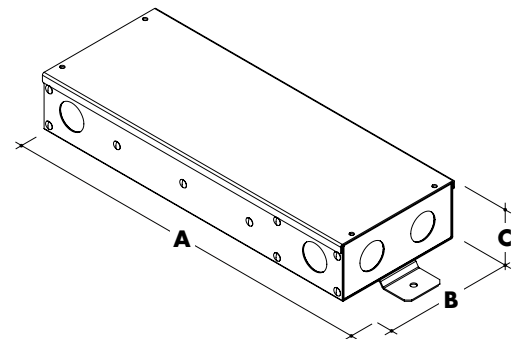
MODEL		PS-DALI-D-96-24
ELECTRICAL	Voltage/ Frequency	120-277V AC @ 50/60Hz
	Inrush Current	100A @ 277V
	Power Factor	> 0.94 @ 120~277V*
	Efficiency	0.90 @ 120V 0.92 @ 277V
	Max Input Current	1.00A @ 120V 0.44A @ 277V
	Max Output Power	96W
	Max Output Current	4.0A
	Output Voltage	24V DC
	Total Harmonic Distortion	< 20%*
	Start Up Time	< 0.5S*
	Minimum Load	10%
	Dimming (DALI)	0.1% - 100%
RATING	Environment	Damp IP44
	Compliance	UL 8750
	Ambient Operating Temperature Range	-20 to 50°C
DIMENSIONS	Length A	14.40"
	Width B	5.20"
	Height C	2.60"
Net. Weight		3.8 lbs

*At max load

General Wiring Diagram



Dimensions



Ordering Code

MODEL	INPUT CONTROL	ENVIRONMENT	WATTAGE	OUTPUT
PS-Power Supply, 120-277VAC	DALI-DALI (0.1%)	D-Dry	96-96 Watts	24-24 VDC