



Features

- Constant voltage output
- Input Voltage 120-277VAC
- Compatible with Triac, MLV, ELV, & 0-10V Dimmers
- Flicker-free dimming
- Cooling by free air convection
- Full protection metal case
- Auto reset breakers, from short circuit, overloading, & over temperature
- Suitable for Dry locations
- 5 year Warranty

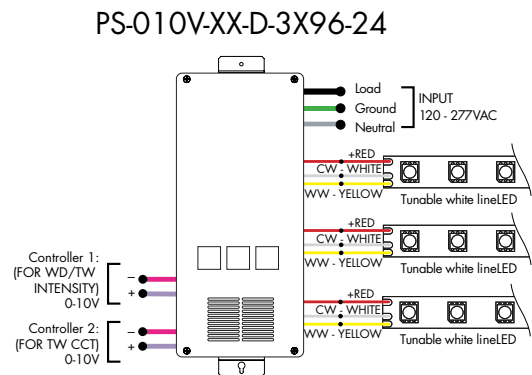
Patent Number US10278251B1 IP20

Technical Information

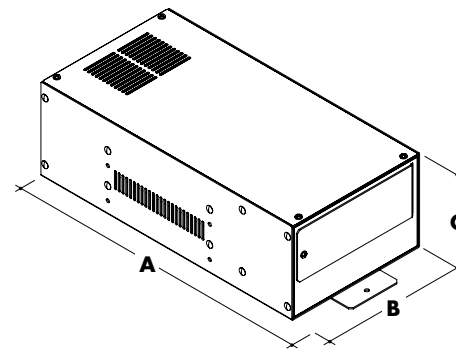
MODEL		PS-010V-XX-D-3X96-24
ELECTRICAL	Voltage/ Frequency	120-277V AC @ 50/60Hz
	Inrush Current	100A @ 277V
	Power Factor	> 0.94 @ 120~277V*
	Efficiency	0.90 @ 120V 0.92 @ 277V
	Max Input Current	1.00A @ 120V 0.44A @ 277V
	Max Output Power	96W
	Max Output Current	4.0A
	Output Voltage	24V DC
	Total Harmonic Distortion	< 20%*
	Start Up Time	< 0.5S*
	Minimum Load	10%
	Dimming (VintageDim)	0% - 100%
	0-10V Current Draw	3 x 1.5mA
RATING	Environment	Dry IP20
	Compliance	UL 8750
	Ambient Operating Temperature Range	-20 to 40°C
DIMENSIONS	Length A	15.00"
	Width B	6.62"
	Height C	4.45"
Net. Weight		13 lbs

*At max load

General Wiring Diagram



Dimensions



Dimming Options

WD	Standard Warm Dim Curve (with Dynamic White LED)
TW	Two Channel Control, Brightness and CCT1-CCT2 Ratio

Ordering Code

MODEL	INPUT CONTROL	ENVIRONMENT	WATTAGE	OUTPUT
PS - Power Supply, 120-277VAC	010V-WD - 0-10V Dimming (x%), Standard Warm Dim Curve (with Dynamic White LED) 010V-TW - 0-10V Dimming (x%), Two Channel Control, Brightness and CCT1-CCT2 Ratio	D - Dry	3X96 - 96 Watts	24 - 24 VDC