

OVERVIEW

Pico S is a Constant Current single source LED spotlight that is machined from aerospace grade aluminium 6063-T6 and comes as standard in white, black and brushed aluminium. It has three site-changeable optics for flexible beam distribution and is fully adjustable with lockable 360° pan and 180° tilt. The narrow beam in our 2.24W 180lm module has a peak intensity of 1566cd. A snoot and accessory holder snoot is available separately.



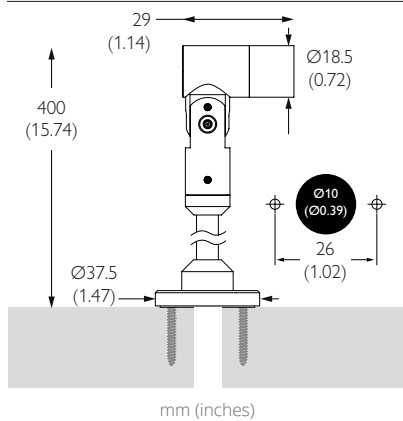
UK PART L	Part L1A / L1B (Dwellings)	EXEMPT
	Part L2A (General)	EXEMPT
	Part L2A (Display)	EXEMPT



PERFORMANCE

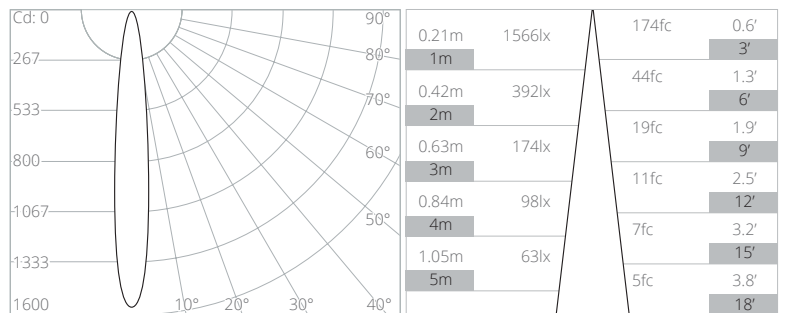
FWHM	12°	Category	IP20
Luminous Flux	164 lm	Material	Machined AL 6063-T6
Peak Intensity	1566 cd	Finishes	Brushed Aluminium Black RAL9005 White RAL9010
CCT	2700K 3000K	Weight	91g 0.20lb
CRI Min.	95 TYP	Mounting	Screw Fixing
Drive Current	700 mA	Movement	Pan 360° Tilt 180°
Nom. Voltage	3.2 V	Lockable	Pan & Tilt
Max. Wattage	2.24 W	Accessories	N/A Snoots
Dimming	0-10V DALI	TM65 TM66	8.45kgCO2e 2.4
Driver Type	Constant Current Remote	Lifetime	L90B10 100,000hrs 5 year warranty
Class	SELV Class III		

DIMENSIONS



PHOTOMETRY

CCT	Multiplier
2700K	x1.00
3000K	x1.00



Data at 3000K

ORDER CODE

Model	Finish	CCT	Beam Angle
MPN-792F	-	-	-
	WH White RAL 9010	2795 2700K 95CRI	12 Narrow
	BK Black RAL 9005	3095 3000K 95CRI	30 Medium
	AL Brushed Aluminium		60 Flood
	RB Rubbed Bronze		
	PB Polished Brass		
	SB Brushed Brass		

Example Code: **MPN-792F-WH-309512**

*Premium & custom finishes are built to order, subject to an extended lead time & MOQ
See Drivers, Power Supplies and Accessories sections for further order codes

OVERVIEW

Pico S is a Constant Current single source LED spotlight that is machined from aerospace grade aluminium 6063-T6 and comes as standard in white, black and brushed aluminium. It has three site-changeable optics for flexible beam distribution and is fully adjustable with lockable 360° pan and 180° tilt. The medium beam in our 2.24W 180lm module has a peak intensity of 470cd. A snoot and accessory holder snoot is available separately.



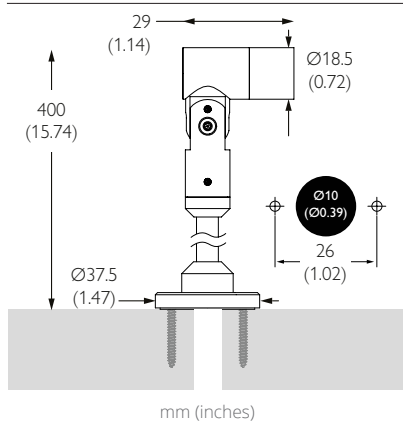
UK PART L	Part L1A / L1B (Dwellings)	EXEMPT
	Part L2A (General)	EXEMPT
	Part L2A (Display)	EXEMPT



PERFORMANCE

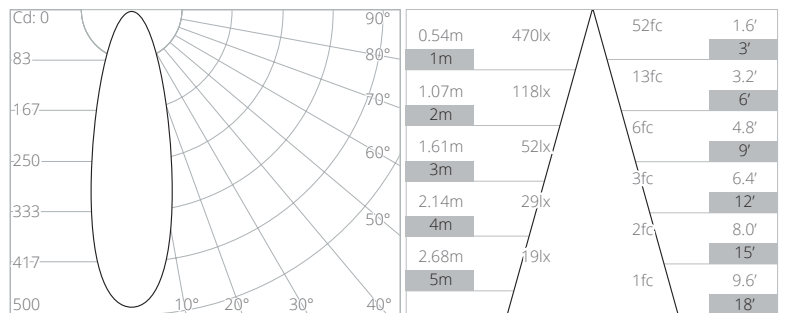
FWHM	30°	Category	IP20
Luminous Flux	150 lm	Material	Machined AL 6063-T6
Peak Intensity	470 cd	Finishes	Brushed Aluminium Black RAL9005 White RAL9010
CCT	2700K 3000K	Weight	91g 0.20lb
CRI Min.	95 TYP	Mounting	Screw Fixing
Drive Current	700 mA	Movement	Pan 360° Tilt 180°
Nom. Voltage	3.2 V	Lockable	Pan & Tilt
Max. Wattage	2.24 W	Accessories	N/A Snoots
Dimming	0-10V DALI	TM65 TM66	8.45kgCO2e 2.4
Driver Type	Constant Current Remote	Lifetime	L90B10 100,000hrs 5 year warranty
Class	SELV Class III		

DIMENSIONS



PHOTOMETRY

CCT	Multiplier
2700K	x1.00
3000K	x1.00



Data at 3000K

ORDER CODE

Model	Finish	CCT	Beam Angle
MPN-792F	-	-	-
	WH White RAL 9010	2795 2700K 95CRI	12 Narrow
	BK Black RAL 9005	3095 3000K 95CRI	30 Medium
	AL Brushed Aluminium		60 Flood
	RB Rubbed Bronze		
	PB Polished Brass		
	SB Brushed Brass		

Example Code: *MPN-792F-WH-309530*

*Premium & custom finishes are built to order, subject to an extended lead time & MOQ
See Drivers, Power Supplies and Accessories sections for further order codes

OVERVIEW

Pico S is a Constant Current single source LED spotlight that is machined from aerospace grade aluminium 6063-T6 and comes as standard in white, black and brushed aluminium. It has three site-changeable optics for flexible beam distribution and is fully adjustable with lockable 360° pan and 180° tilt. The flood beam in our 2.24W 180lm module has a peak intensity of 163cd. A snoot and accessory holder snoot is available separately.



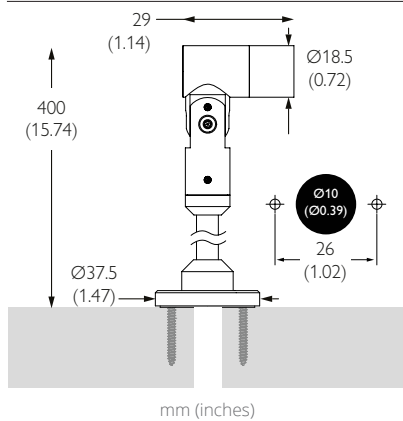
UK PART L	Part L1A / L1B (Dwellings)	EXEMPT
	Part L2A (General)	EXEMPT
	Part L2A (Display)	EXEMPT



PERFORMANCE

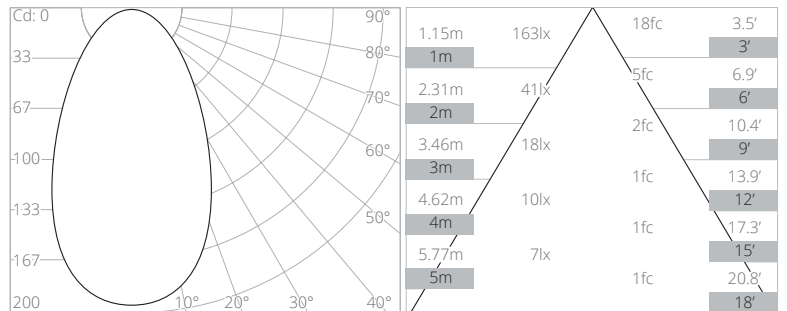
FWHM	60°	Category	IP20
Luminous Flux	163 lm	Material	Machined AL 6063-T6
Peak Intensity	163 cd	Finishes	Brushed Aluminium Black RAL9005 White RAL9010
CCT	2700K 3000K	Weight	91g 0.20lb
CRI Min.	95 TYP	Mounting	Screw Fixing
Drive Current	700 mA	Movement	Pan 360° Tilt 180°
Nom. Voltage	3.2 V	Lockable	Pan & Tilt
Max. Wattage	2.24 W	Accessories	N/A Snoots
Dimming	0-10V DALI	TM65 TM66	8.45kgCO2e 2.4
Driver Type	Constant Current Remote	Lifetime	L90B10 100,000hrs 5 year warranty
Class	SELV Class III		

DIMENSIONS



PHOTOMETRY

CCT	Multiplier
2700K	x1.00
3000K	x1.00



Data at 3000K

ORDER CODE

Model	Finish	CCT	Beam Angle
MPN-792F	-	-	-
	WH White RAL 9010	2795 2700K 95CRI	12 Narrow
	BK Black RAL 9005	3095 3000K 95CRI	30 Medium
	AL Brushed Aluminium		60 Flood
	RB Rubbed Bronze		
	PB Polished Brass		
	SB Brushed Brass		

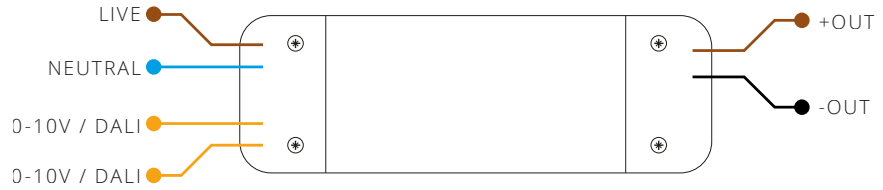
Example Code: *MPN-792F-WH-309560*

*Premium & custom finishes are built to order, subject to an extended lead time & MOQ
See Drivers, Power Supplies and Accessories sections for further order codes

DRIVERS

20W | DIMMING: DALI OR 0-10V

NO. OF LIGHTS PER DRIVER 1 to 8 in series
 MIN DIM LEVEL 0.1%
 VOLTAGE REGION 230V
 FOR NORTH AMERICA No
 WATTAGE 20W
 SUPPLY TYPE Constant Current
 DRIVER LOCATION Remote



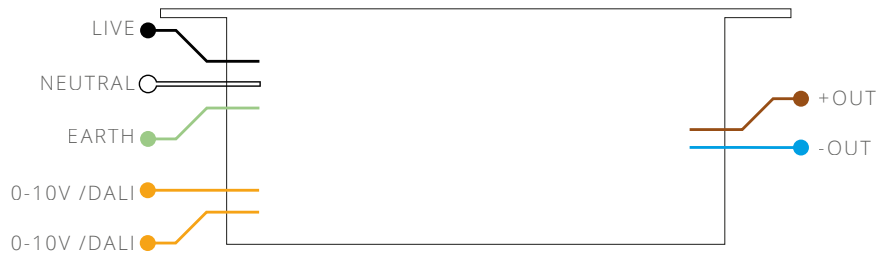
DALI CODE PSCC-20-700-D-EL
 0-10V CODE PSCC-20-700-A-EL

LENGTH 160mm (6.30") WIDTH 41mm (1.63") HEIGHT 30mm (1.18")



30W | DIMMING: DALI OR 0-10V

NO. OF LIGHTS PER DRIVER 1 to 12 in series
 MIN DIM LEVEL 0.1%
 VOLTAGE REGION 120V
 FOR NORTH AMERICA Yes
 WATTAGE 30W
 SUPPLY TYPE Constant Current
 DRIVER LOCATION Remote



DALI CODE USCC-30-700-D-EL-ENC
 0-10V CODE USCC-30-700-A-EL-ENC

LENGTH 348mm (13.7") WIDTH 65mm (2.6") HEIGHT 47mm (1.9")



12W | DIMMING: PHASE

NO. OF LIGHTS PER DRIVER 2 to 5 in series
 MIN DIM LEVEL 1%
 VOLTAGE REGION 120V
 FOR NORTH AMERICA Yes
 WATTAGE 12W
 SUPPLY TYPE Constant Current
 DRIVER LOCATION Remote



PHASE CODE USCC-12-700-P-HT-ENC

LENGTH 247mm (9.7") WIDTH 65mm (2.6") HEIGHT 47mm (1.9")

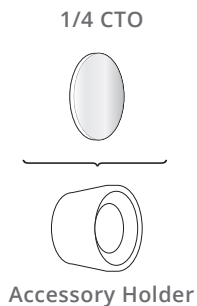


PICO SERIES SPOTLIGHT ACCESSORIES

FOR USE WITH PICO PLUS

ACCESSORIES

Included as standard with a Pico Plus, available as a standalone addition with below part code.



Pico Plus Accessory Holder

Screw on lens holder

HEIGHT 29mm (1.142")

DAIMETER 26mm (1.024")

PART CODE 704-AL - Brushed Aluminium
704-BK - Black
704-WH - White

1/4 CTO Dichroic

CCT warming - approx 300K

THICKNESS 1.8mm (0.071")

DAIMETER 20mm (0.787")

PART CODE 997-1/4CTO-20



OPTICS

Primary Optic

Primary beam angle control



12° CODE 701-12

30° CODE 701-30

60° CODE 701-60