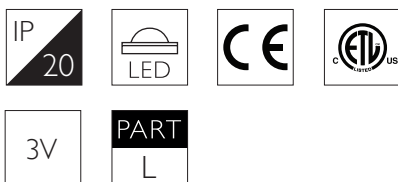
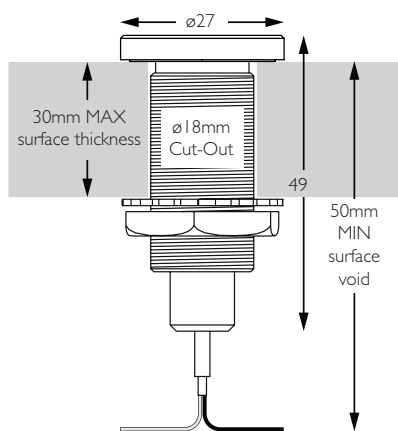
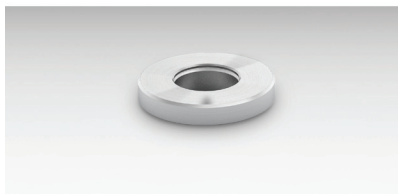


## TECHNICAL DESCRIPTION

The Node Minipoint system is a mounting solution for ever-changing installations. Perfect for retail and display case applications, the Node Minipoint allows jack luminaires to be plugged and unplugged in seconds. The Node Minipoint has a small  $\varnothing 18\text{mm}/\text{M17}$  cut-out and only a 50mm minimum surface void depth. With multiple material finishes of decorative covers, this versatile mounting option provides an adaptable aesthetic. The Node Minipoint is available with a Blanking plug accessory to allow circuits to be closed and the system to be protected when not in use.



**CATEGORY** Interior use only IP20

**MATERIAL** Machined Aluminium

**DEC. COVER FINISH** Brushed Aluminium | White | Black | Rubbed Bronze\* | Polished Brass\* | Brushed Brass\* | Custom RAL \*

**SYSTEM** Jack Minipoint

**ACCESSORIES** Decorative covers | Minipoint Plug

**LED TYPE** Constant current

**CUT OUT HOLE**  $\varnothing 18\text{mm} / \text{M17}$

**MINIMUM SURFACE VOID DEPTH** 50mm

**MAXIMUM MATERIAL THICKNESS** 30mm

**WEIGHT** AL/WH/BK/EBA - 27g | RB/PB/SB - 32g

\* All custom & premium finishes are built and finished to order. These are subject to an extended lead time.

## LUMINAIRE COMPATIBILITY



**771**  
Atto Jack



**772**  
Atto T Jack



**773**  
Atto S Jack



**801**  
Pico Jack



**802**  
Pico S Jack



**804**  
Pico Long Snoot Jack



**1003-E**  
Stacko Tilt Fixed End



**1003-M**  
Stacko Tilt Fixed Mid



**1005-E**  
Stacko Straight Fixed End



**805**  
Pico Long Snoot S Jack



**806**  
Pico Zoom Jack



**807**  
Pico Zoom S Jack



**1005-M**  
Stacko Straight Fixed Mid



**1011-E**  
Stacko Aim End



**1011-M**  
Stacko Aim Mid



**808**  
Pico Plus Jack



**809**  
Pico Plus S Jack



**1013-E**  
Stacko Multi-Aim 3 End



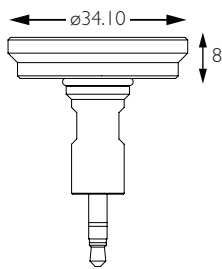
**1013-M**  
Stacko Multi-Aim 3 Mid

RAN AT 700mA ONLY

RAN AT 350mA ONLY

Brushed Aluminium	White 9010	Matte Anodised Black	Rubbed Bronze *	Polished Brass *	Brushed Brass *	Polished Nickel *
770-M-A-DC-AL	770-M-A-DC-WH	770-M-A-DC-EBA	770-M-A-DC-RB	770-M-A-DC-PB	770-M-A-DC-SB	770-M-A-DC-PN

## ACCESSORIES



### BLANKING PLUG

Blanking plug accessory allows Minipoint system circuits to be closed and the system to be protected when not in use.

**CATEGORY** Interior use only IP20

**MATERIAL** Machined Aluminium

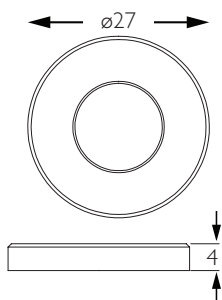
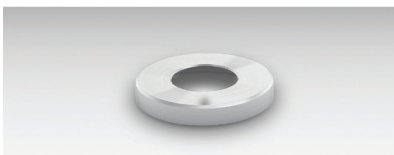
**FINISH** Brushed Aluminium | White | Black | Rubbed Bronze\* | Polished Brass\* | Brushed Brass\* | Custom RAL \*

**SYSTEM** Jack Minipoint

**WEIGHT** AL/WH/BK/EBA - 15g | RB/PB/SB - 32g

\* All custom & premium finishes are built and finished to order. These are subject to an extended lead time.

AL	770-BPA-AL
WH	770-BPA-WH
BK	770-BPA-BK
EBA	770-BPA-EBA
RB	770-BPA-RB
PB	770-BPA-PB
SB	770-BPA-SB



### DECORATIVE COVER

The Decorative Cover allows for the Node Minipoint's aesthetic to be easily altered and updated, providing a cohesive system appearance with whichever Jack luminaire used.

**CATEGORY** Interior use only IP20

**MATERIAL** Machined Aluminium

**FINISH** Brushed Aluminium | White | Black | Rubbed Bronze\* | Polished Brass\* | Brushed Brass\* | Custom RAL \*

**SYSTEM** Jack Minipoint

**WEIGHT** AL/WH/BK/EBA - 1g | RB/PB/SB - 5g

\* All custom & premium finishes are built and finished to order. These are subject to an extended lead time.

AL	770-DC-AL
WH	770-DC-WH
BK	770-DC-BK
EBA	770-DC-EBA
RB	770-DC-RB
PB	770-DC-PB
SB	770-DC-SB