

Myka Asymmetric - Installation Instructions

Model MKA-XX, MKAW-XX

Please read all instructions prior to installation and keep for future reference!

1. PRODUCT TO BE INSTALLED BY A QUALIFIED ELECTRICIAN.
2. USE ONLY WITH CLASS 2 POWER UNIT.
3. 24 VOLTS DC.
4. SUITABLE FOR DAMP LOCATIONS.
5. CABINET, UNDER-CABINET OR SURFACE MOUNT.
6. SUITABLE FOR INSTALLATION IN THE STORAGE AREA OF A CLOTHES CLOSET ON OUTPUTS 5.7W/FT OR LESS.
7. FIXTURE SHOULD BE INSTALLED BY TWO PEOPLE.

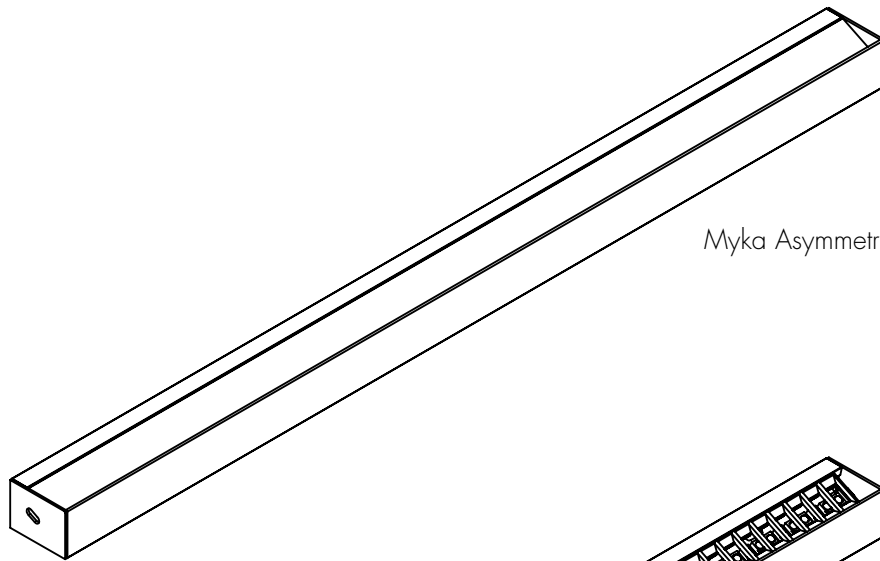


REVO.1
01272026

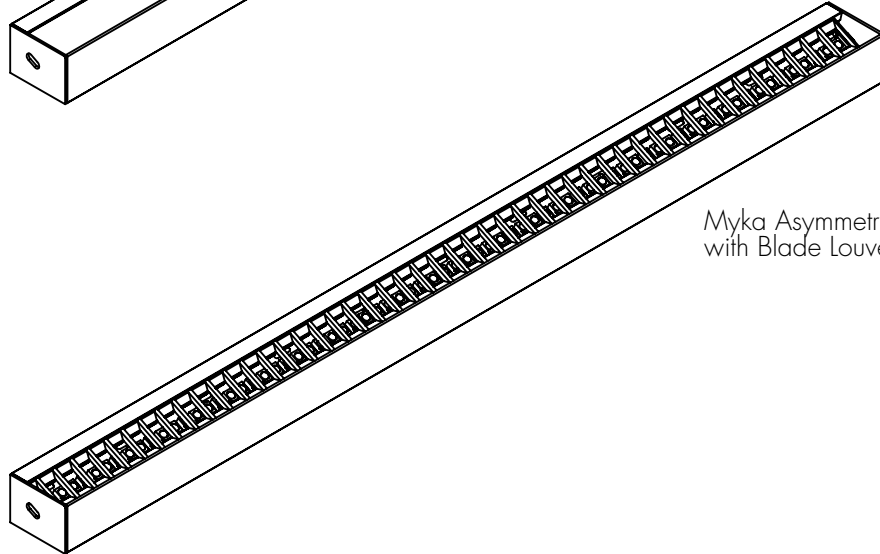
1 / 6



7777 Merrimac Ave
Niles, IL 60714
T 224.333.6033
F 224.757.7557
info@luminii.com
www.luminii.com



Myka Asymmetric



Myka Asymmetric
with Blade Louver

Myka Asymmetric - Installation Instructions

Model MKA-XX, MKAW-XX



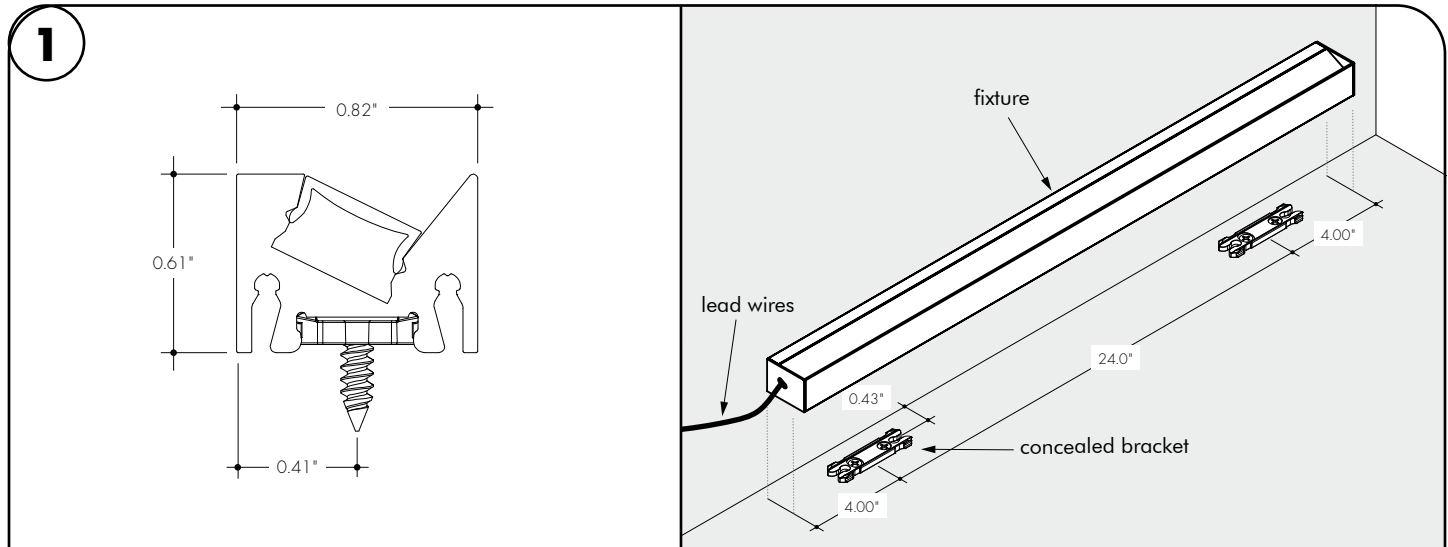
7777 Merrimac Ave
Niles, IL 60714
T 224.333.6033
F 224.757.7557
info@luminii.com
www.luminii.com

REVO.1
01272026

2 / 6

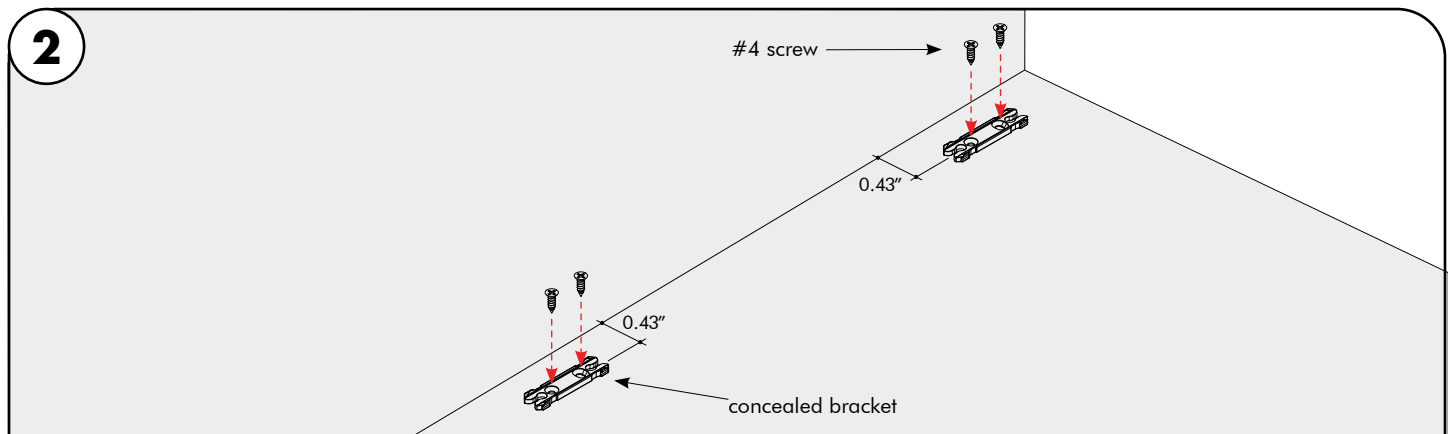
Please read all instructions prior to installation and keep for future reference!

1. PRODUCT TO BE INSTALLED BY A QUALIFIED ELECTRICIAN.
2. USE ONLY WITH CLASS 2 POWER UNIT.
3. 24 VOLTS DC.
4. SUITABLE FOR DAMP LOCATIONS.
5. CABINET, UNDER-CABINET OR SURFACE MOUNT.
6. SUITABLE FOR INSTALLATION IN THE STORAGE AREA OF A CLOTHES CLOSET ON OUTPUTS 5.7W/FT OR LESS.
7. FIXTURE SHOULD BE INSTALLED BY TWO PEOPLE.



1.1 Determine the location of where the fixture(s) will be installed. Lay the fixture(s) on the surface, and make any necessary reference marks for the concealed bracket. Make marks 4" from each end of the fixture(s) and also every 24" in between. Use the fixture profile and mounting bracket detail, for any additional details.

1.2 Lay the concealed bracket onto the reference mark points and secure using the provided hardware.



2.1 Align the mounting brackets to the marks, followed by securing each mounting bracket with 2 screws. Snap the extrusion into the mounting brackets.

2.2 To remove the extrusion from the mounting brackets, carefully insert a flat screwdriver to the bottom edge of the extrusion then pull up until the extrusion pops up.

Myka Asymmetric - Installation Instructions

Model MKA-XX, MKAW-XX



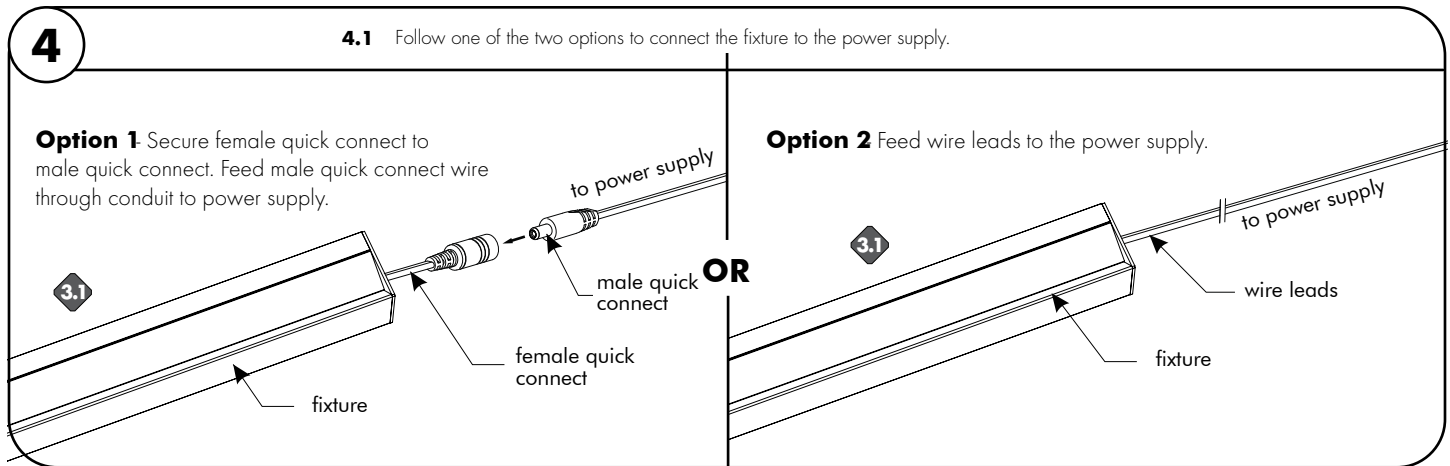
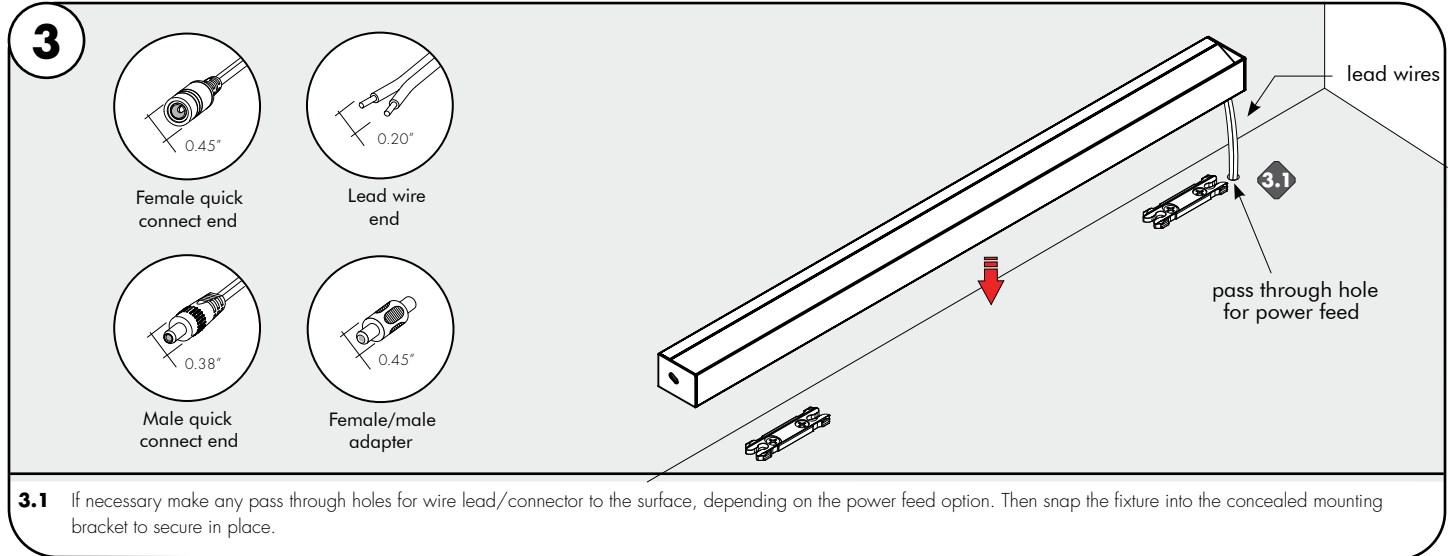
7777 Merrimac Ave
Niles, IL 60714
T 224.333.6033
F 224.757.7557
info@luminii.com
www.luminii.com

REVO.1
01272026

3 / 6

Please read all instructions prior to installation and keep for future reference!

1. PRODUCT TO BE INSTALLED BY A QUALIFIED ELECTRICIAN.
2. USE ONLY WITH CLASS 2 POWER UNIT.
3. 24 VOLTS DC.
4. SUITABLE FOR DAMP LOCATIONS.
5. CABINET, UNDER-CABINET OR SURFACE MOUNT.
6. SUITABLE FOR INSTALLATION IN THE STORAGE AREA OF A CLOTHES CLOSET ON OUTPUTS 5.7W/FT OR LESS.
7. FIXTURE SHOULD BE INSTALLED BY TWO PEOPLE.



Myka Asymmetric - Installation Instructions

Model MKA-XX, MKAW-XX



7777 Merrimac Ave
Niles, IL 60714
T 224.333.6033
F 224.757.7557
info@luminii.com
www.luminii.com

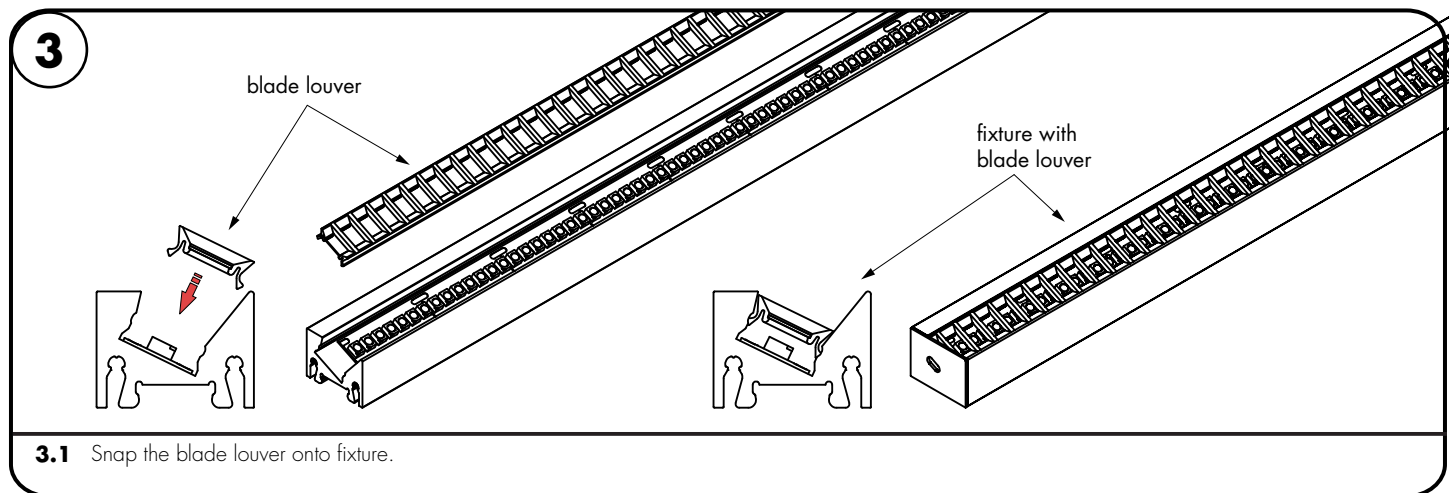
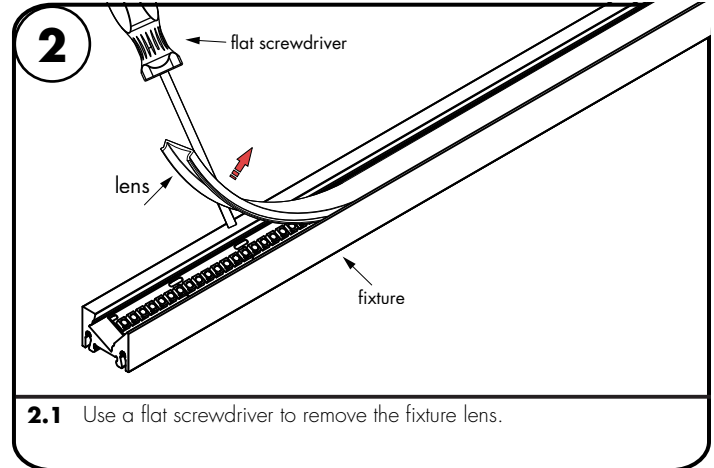
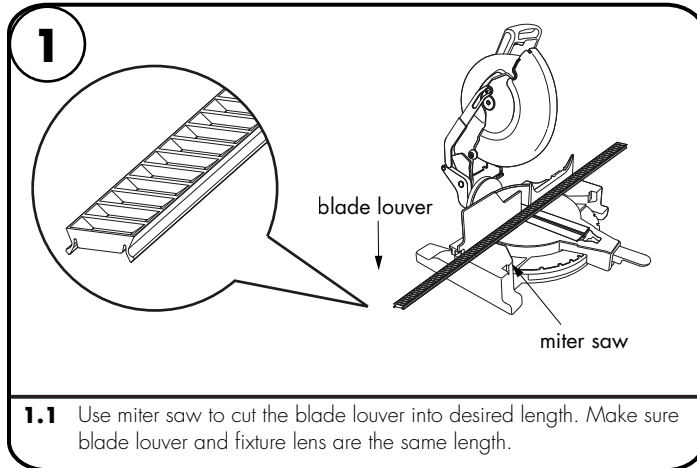
REVO.1
01272026

4 / 6

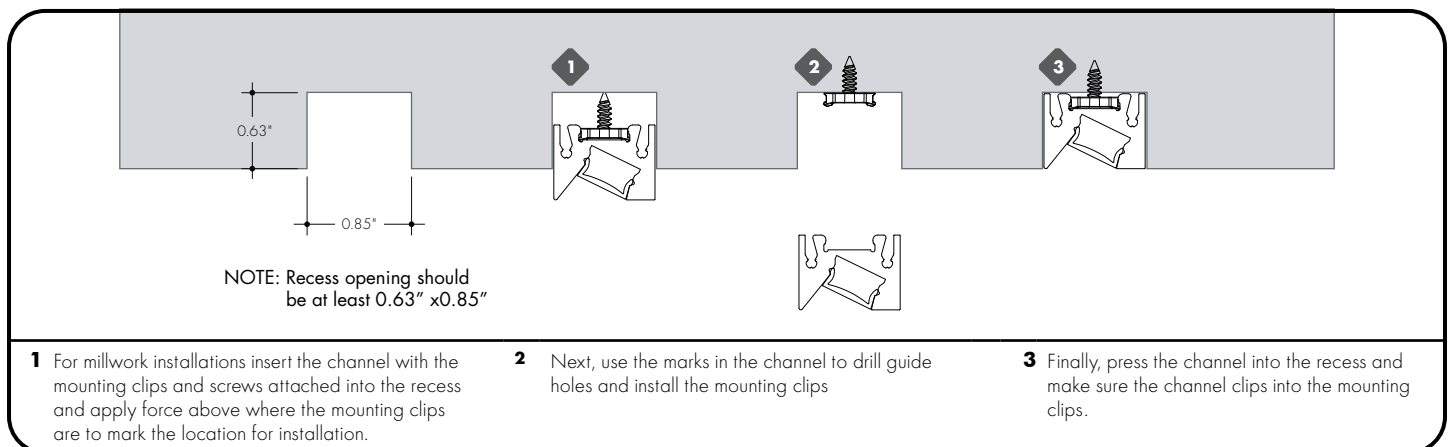
Please read all instructions prior to installation and keep for future reference!

1. PRODUCT TO BE INSTALLED BY A QUALIFIED ELECTRICIAN.
2. USE ONLY WITH CLASS 2 POWER UNIT.
3. 24 VOLTS DC.
4. SUITABLE FOR DAMP LOCATIONS.
5. CABINET, UNDER-CABINET OR SURFACE MOUNT.
6. SUITABLE FOR INSTALLATION IN THE STORAGE AREA OF A CLOTHES CLOSET ON OUTPUTS 5.7W/FT OR LESS.
7. FIXTURE SHOULD BE INSTALLED BY TWO PEOPLE.

Blade Louver Installation



Millwork Installation



Myka Asymmetric - Installation Instructions

Model MKA-XX, MKAW-XX

Please read all instructions prior to installation and keep for future reference!

1. PRODUCT TO BE INSTALLED BY A QUALIFIED ELECTRICIAN.
2. USE ONLY WITH CLASS 2 POWER UNIT.
3. 24 VOLTS DC.
4. SUITABLE FOR DAMP LOCATIONS.
5. CABINET, UNDER-CABINET OR SURFACE MOUNT.
6. SUITABLE FOR INSTALLATION IN THE STORAGE AREA OF A CLOTHES CLOSET ON OUTPUTS 5.7W/FT OR LESS.
7. FIXTURE SHOULD BE INSTALLED BY TWO PEOPLE.



REVO.1
01272026

5 / 6



7777 Merrimac Ave
Niles, IL 60714
T 224.333.6033
F 224.757.7557
info@luminii.com
www.luminii.com

Power Supply Wiring Diagram

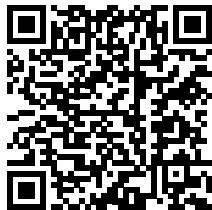
Note: Prior to installation all 24VDC wires must be present near fixture. Refer to the power supply installation instructions for additional information.



Static White
[Wiring Diagram PDF](#)



Warm Dim
[Wiring Diagram PDF](#)



Tunable White
[Wiring Diagram PDF](#)

Myka Asymmetric - Installation Instructions

Model MKA-XX, MKAW-XX



7777 Merrimac Ave
Niles, IL 60714
T 224.333.6033
F 224.757.7557
info@luminii.com
www.luminii.com

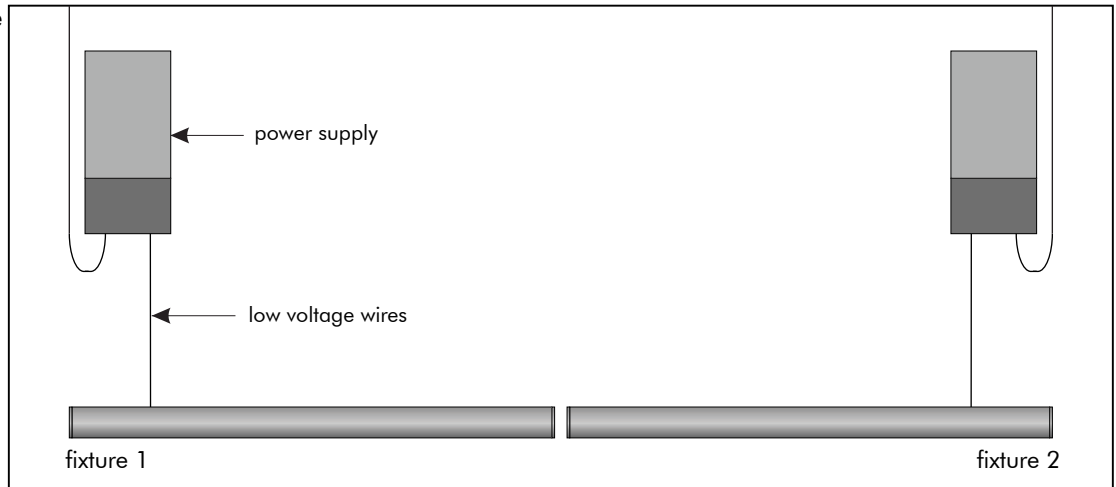
Please read all instructions prior to installation and keep for future reference!

1. PRODUCT TO BE INSTALLED BY A QUALIFIED ELECTRICIAN.
2. USE ONLY WITH CLASS 2 POWER UNIT.
3. 24 VOLTS DC.
4. SUITABLE FOR DAMP LOCATIONS.
5. CABINET, UNDER-CABINET OR SURFACE MOUNT.
6. SUITABLE FOR INSTALLATION IN THE STORAGE AREA OF A CLOTHES CLOSET ON OUTPUTS 5.7W/FT OR LESS.
7. FIXTURE SHOULD BE INSTALLED BY TWO PEOPLE.

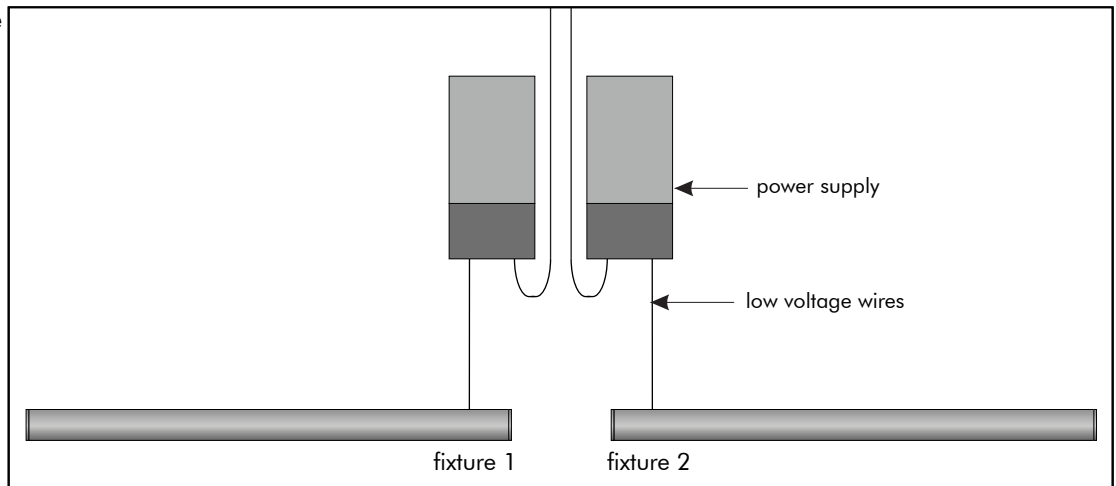
REVO.1
01272026

6 / 6

power supplies at the end of the run



power supplies in the middle of the run



consecutive layout, NOT RECOMMENDED

