

MINIMO 1 FIXED TRIMLESS

12° NARROW BEAM

STATIC WHITE



OVERVIEW

Minimo 1 Fixed Trimless is a Constant Current single source LED recessed spotlight that is machined from aerospace grade aluminium 6063-T6 and comes as standard in white, black and brushed aluminium. It has three site-changeable optics for flexible beam distribution. The narrow beam in our 2.24W 180lm module has a peak intensity of 1566cd.

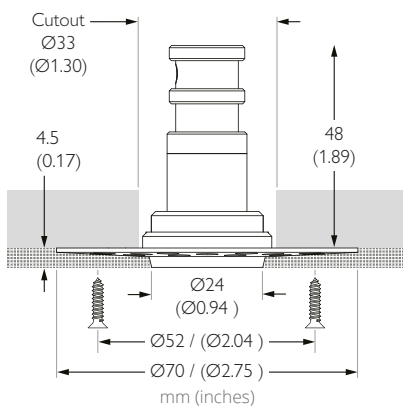
UK PART L	Part L1A / L1B (Dwellings)	EXEMPT
	Part L2A (General)	EXEMPT
	Part L2A (Display)	EXEMPT



PERFORMANCE

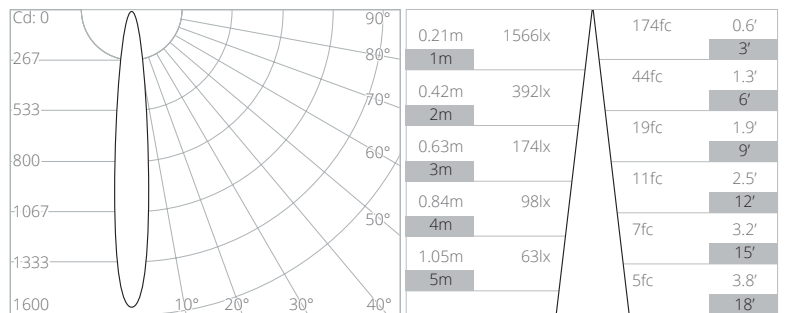
FWHM	12°	Category	IP20
Luminous Flux	164 lm	Material	Machined AL 6063-T6 Machined Brass
Peak Intensity	1566 cd	Finishes	Brushed Aluminium Black RAL9005 Visible
CCT	2700K 3000K	Weight	42g 0.09lb
CRI Min.	95 TYP	Cutout	ø33mm (1.30")
Drive Current	700 mA	Movement	Pan N/A Tilt N/A
Nom. Voltage	3.2 V	Min Ceiling Void	20mm (0.79") clearance above
Max. Wattage	2.24 W	Accessories	N/A N/A
Dimming	0-10V DALI	TM65 TM66	6.95kgCO2e 2.4
Driver Type	Constant Current Remote	Lifetime	L90B10 100,000hrs 5 year warranty
Class	SELV Class III		

DIMENSIONS



PHOTOMETRY

CCT	Multiplier
2700K	x1.00
3000K	x1.00



Data at 3000K

ORDER CODE

Model	Finish	CCT	Beam Angle
RCT-602	-	-	-
	AL Matt Black Baffle	2795 2700K 95CRI	12 Narrow
		3095 3000K 95CRI	30 Medium
			60 Flood

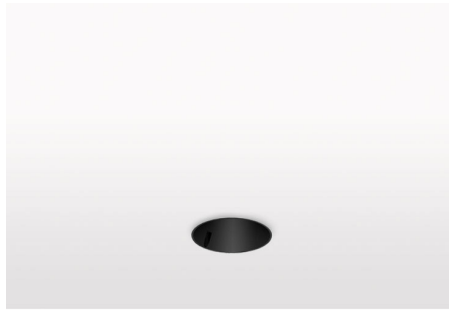
Example Code: RCT-602-AL-309512

*Premium & custom finishes are built to order, subject to an extended lead time & MOQ
See Drivers, Power Supplies and Accessories sections for further order codes

MINIMO 1 FIXED TRIMLESS

30° MEDIUM BEAM

STATIC WHITE



OVERVIEW

Minimo 1 Fixed Trimless is a Constant Current single source LED recessed spotlight that is machined from aerospace grade aluminium 6063-T6 and comes as standard in white, black and brushed aluminium. It has three site-changeable optics for flexible beam distribution. The medium beam in our 2.24W 180lm module has a peak intensity of 470cd.

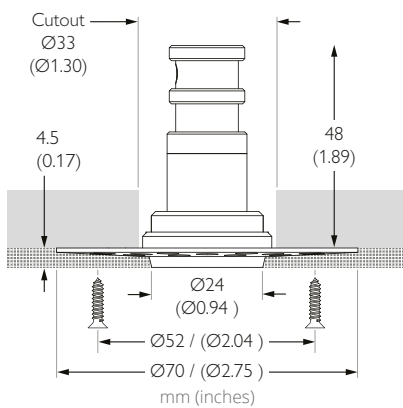
UK PART L	Part L1A / L1B (Dwellings)	EXEMPT
	Part L2A (General)	EXEMPT
	Part L2A (Display)	EXEMPT



PERFORMANCE

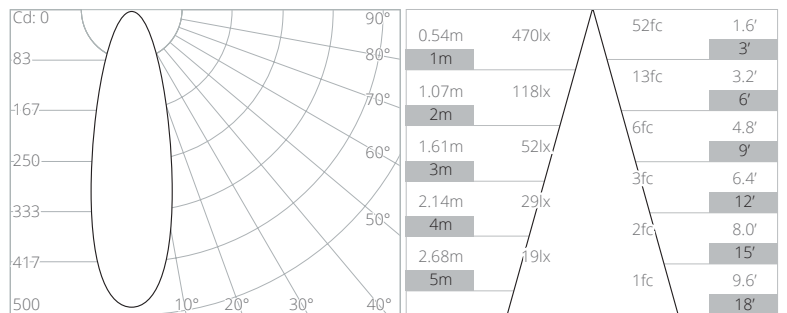
FWHM	30°	Category	IP20
Luminous Flux	150 lm	Material	Machined AL 6063-T6 Machined Brass
Peak Intensity	470 cd	Finishes	Brushed Aluminium Black RAL9005 Visible
CCT	2700K 3000K	Weight	42g 0.09lb
CRI Min.	95 TYP	Cutout	ø33mm (1.30")
Drive Current	700 mA	Movement	Pan N/A Tilt N/A
Nom. Voltage	3.2 V	Min Ceiling Void	20mm (0.79") clearance above
Max. Wattage	2.24 W	Accessories	N/A N/A
Dimming	0-10V DALI	TM65 TM66	6.95kgCO2e 2.4
Driver Type	Constant Current Remote	Lifetime	L90B10 100,000hrs 5 year warranty
Class	SELV Class III		

DIMENSIONS



PHOTOMETRY

CCT	Multiplier
2700K	x1.00
3000K	x1.00



Data at 3000K

ORDER CODE

Model	Finish	CCT	Beam Angle
RCT-602	-	-	-
	AL Matt Black Baffle	2795 2700K 95CRI	12 Narrow
		3095 3000K 95CRI	30 Medium
			60 Flood

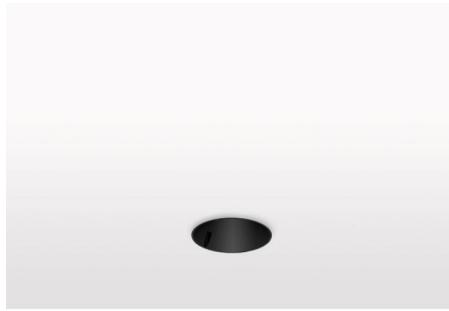
Example Code: RCT-602-AL-309530

*Premium & custom finishes are built to order, subject to an extended lead time & MOQ
See Drivers, Power Supplies and Accessories sections for further order codes

MINIMO 1 FIXED TRIMLESS

60° FLOOD BEAM

STATIC WHITE



OVERVIEW

Minimo 1 Fixed Trimless is a Constant Current single source LED recessed spotlight that is machined from aerospace grade aluminium 6063-T6 and comes as standard in white, black and brushed aluminium. It has three site-changeable optics for flexible beam distribution. The flood beam in our 2.24W 180lm module has a peak intensity of 163cd.

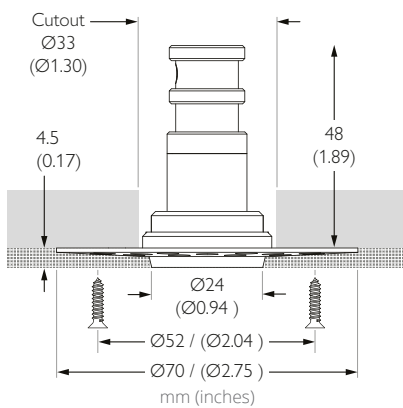
UK PART L	Part L1A / L1B (Dwellings)	EXEMPT
	Part L2A (General)	EXEMPT
	Part L2A (Display)	EXEMPT



PERFORMANCE

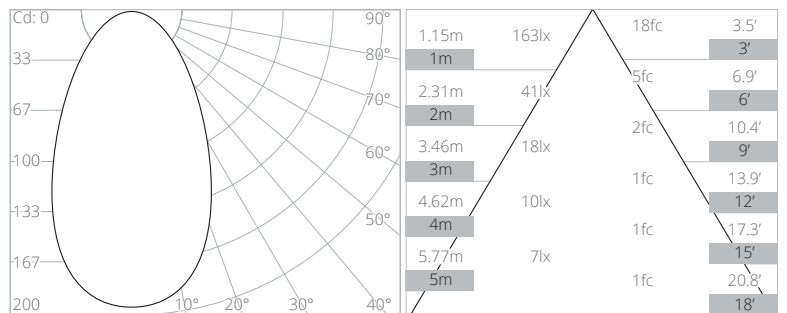
FWHM	60°	Category	IP20
Luminous Flux	163 lm	Material	Machined AL 6063-T6 Machined Brass
Peak Intensity	163 cd	Finishes	Brushed Aluminium Black RAL9005 Visible
CCT	2700K 3000K	Weight	42g 0.09lb
CRI Min.	95 TYP	Cutout	ø33mm (1.30")
Drive Current	700 mA	Movement	Pan N/A Tilt N/A
Nom. Voltage	3.2 V	Min Ceiling Void	20mm (0.79") clearance above
Max. Wattage	2.24 W	Accessories	N/A N/A
Dimming	0-10V DALI	TM65 TM66	6.95kgCO2e 2.4
Driver Type	Constant Current Remote	Lifetime	L90B10 100,000hrs 5 year warranty
Class	SELV Class III		

DIMENSIONS



PHOTOMETRY

CCT	Multiplier
2700K	x1.00
3000K	x1.00



Data at 3000K

ORDER CODE

Model	Finish	CCT	Beam Angle
RCT-602	AL Matt Black Baffle	2795 2700K 95CRI	12 Narrow
		3095 3000K 95CRI	30 Medium
			60 Flood

Example Code: RCT-602-AL-309560

*Premium & custom finishes are built to order, subject to an extended lead time & MOQ
See Drivers, Power Supplies and Accessories sections for further order codes

DRIVERS

20W | DIMMING: DALI OR 0-10V

NO. OF LIGHTS PER DRIVER 1 to 8 in series

MIN DIM LEVEL 0.1%

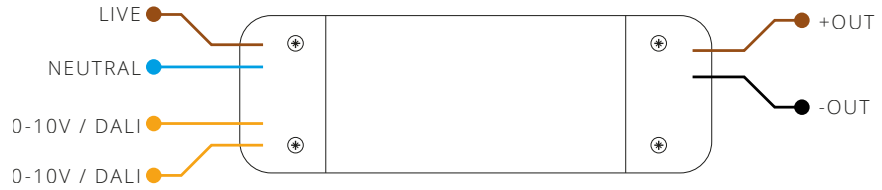
VOLTAGE REGION 230V

FOR NORTH AMERICA No

WATTAGE 20W

SUPPLY TYPE Constant Current

DRIVER LOCATION Remote



DALI CODE PSCC-20-700-D-EL

0-10V CODE PSCC-20-700-A-EL

LENGTH 160mm (6.30") WIDTH 41mm (1.63") HEIGHT 30mm (1.18")



30W | DIMMING: DALI OR 0-10V

NO. OF LIGHTS PER DRIVER 1 to 12 in series

MIN DIM LEVEL 0.1%

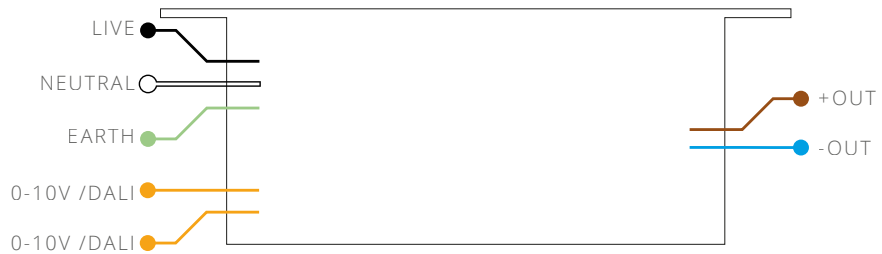
VOLTAGE REGION 120V

FOR NORTH AMERICA Yes

WATTAGE 30W

SUPPLY TYPE Constant Current

DRIVER LOCATION Remote



DALI CODE USCC-30-700-D-EL-ENC

0-10V CODE USCC-30-700-A-EL-ENC

LENGTH 348mm (13.7") WIDTH 65mm (2.6") HEIGHT 47mm (1.9")



12W | DIMMING: PHASE

NO. OF LIGHTS PER DRIVER 2 to 5 in series

MIN DIM LEVEL 1%

VOLTAGE REGION 120V

FOR NORTH AMERICA Yes

WATTAGE 12W

SUPPLY TYPE Constant Current

DRIVER LOCATION Remote



PHASE CODE USCC-12-700-P-HT-ENC

LENGTH 247mm (9.7") WIDTH 65mm (2.6") HEIGHT 47mm (1.9")

