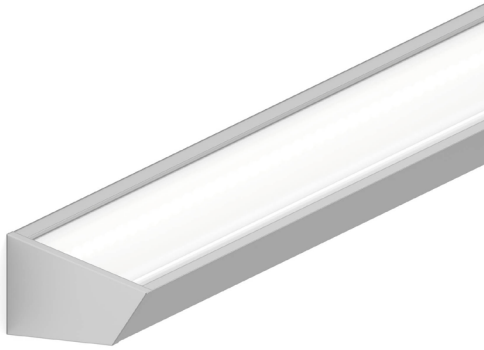
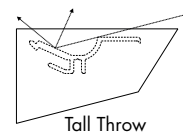
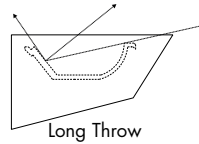
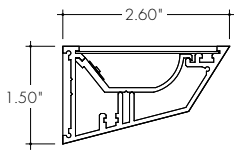
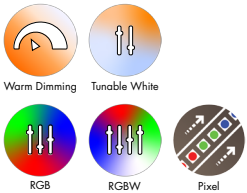


Features



- 24VDC Class 2 fixtures made to order up to 144". Fixtures can be linked up to 37' depending on output
- Suitable for wall mount applications
- Available with long throw and tall throw reflectors
- Class 2 listed for damp locations
- Dot free even illumination achievable
- Proprietary strong bond solder method handles up to 50 lbs of pull force on wire leads and connectors.
- Average Life (L70): 50,000hrs
- 7 Year warranty
- Tunable White allows individual control of CCT and output, can be paired with Vintage Dim power supply for warm dim effect
- Warm Dim follows the incandescent dimming curve and is compatible with MLV, ELV, and Incandescent dimmers.
- RGB offers balanced output across the color gamut and a true white with RGBW
- Smart Pixel allows for infinite color combinations with cascading and chasing effects



Technical Information

TYPE	Warm Dim			Tunable White				RGB		RGBW		Pixel	
	WD51 (18K-30K)			TW51 (27K-65K)				RGB42		RGBW36		RGBX18	RGBWX18
	SO	HO	VHO	SO	HO	VHO	X2VHO	SO	HO	SO	HO	SO	SO
Lumens Output (All On w/ LT Reflector)	170 lm/ft	358 lm/ft	509 lm/ft	379 lm/ft	470 lm/ft	636 lm/ft	835 lm/ft	190 lm/ft	280 lm/ft	192 lm/ft	318 lm/ft	153 lm/ft	232 lm/ft
Average Power Consumption (for a 4" section)	2.3 W/ft	4.7 W/ft	6.9 W/ft	4.4 W/ft	5.4 W/ft	7.6 W/ft	9.5 W/ft	4.5 W/ft	8.3 W/ft	4 W/ft	7.6 W/ft	4.5 W/ft	5.7 W/ft
Efficacy	74 lm/W	76 lm/W	74 lm/W	86 lm/W	87 lm/W	84 lm/W	88 lm/W	42 lm/W	34 lm/W	48 lm/W	42 lm/W	34 lm/W	41 lm/W
Max Run Length (in series)	37 ft	22 ft	15 ft	27.9 ft	22 ft	15 ft	11.9 ft	28ft	14ft	26ft	13ft	30ft	20ft
Ambient Operating Temperature Range*	-4°F - 122°F (-20°C - 50°C)			-4°F - 122°F (-20°C - 50°C)				-4°F - 122°F (-20°C - 50°C)		-4°F - 122°F (-20°C - 50°C)		-4°F - 122°F (-20°C - 50°C)	-4°F - 122°F (-20°C - 50°C)
Control/Dimming Protocol	0-10V, DALI, DALI2, MLV (Triac), ELV, Inc.			0-10V, DMX, DALI-DT8				DMX, DALI-DT8		DMX, DALI-DT8		SPI Protocol UCS 2903	SPI Protocol UCS 2904

* Ambient Operating Temperature Range to maintain L70 of 50k+ hours in normal mounting conditions for the fixture. Exceeding Ambient Operating Temperature Range may result in decreased life/output. Consult Technical Support for specific inquiries.

Warm Dim (WD51)

CCT	Multiplier (ref. - 18K30K)	TM-30			
		CRI	R _f	R _g	R ₉
18K24K	1800K	92	85	91	86
	2400K	96	95	104	97
18K27K	1800K	92	85	91	86
	2700K	96	95	104	96
18K30K	1800K	92	85	91	86
	3000K	95	95	104	90

Tunable White (TW51)

CCT	Multiplier (ref. - 27K65K)	TM-30			
		CRI	R _f	R _g	R ₉
18K30K	1800K	92	85	91	86
	2400K	95	93	106	98
	3000K	97	94	104	95
27K65K	2700K	97	95	103	93
	4200K	96	93	105	95
	6500K	91	90	101	63

RGBW (3000K)

Tape	TM-30			
	CRI	R _f	R _g	R ₉
RGBW36	95	93	106	84
RGBWX18	93	91	99	64

Dominant Wavelength

Color	RGB42/RGBW36	RGBX18/RGBWX18
Red	620nm	621 nm
Green	525nm	519nm
Blue	467nm	465nm

Ordering Code

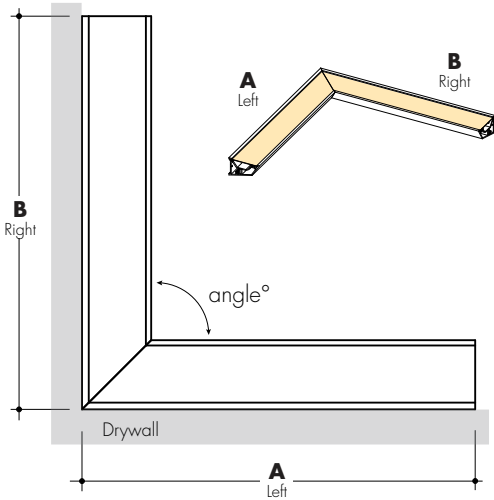
MODEL	LENGTH ¹	OUTPUT ²	CCT	REFLECTOR	FINISH	LEFT END CAP	RIGHT END CAP	POWER FEED LEFT END ³	POWER FEED RIGHT END ³
M-mCove	12"-144" 2" increments	WD51SO - Standard	18K24K - 1800K - 2400K 18K27K - 1800K - 2700K 18K30K - 1800K - 3000K	LT - Long Throw TT - Tall Throw	PR - Paint Ready	LE - Endcap Left End	RE - Endcap Right End	LPB - Back Plenum Leads	RNPF - No Power Feed
		WD51HO - High				LN - No Endcap Left End	RN - No Endcap Right End		
	12"-144" 2" increments	TW51SO - Standard	18K30K - 1800K - 3000K 27K65K - 2700K - 6500K	LE - Endcap Left End	RE - Endcap Right End	LNPF - No Power Feed	RPB - Back Plenum Leads		
		TW51HO - High TW51VHO - Very High TW51X2VHO - Very High		LN - No Endcap Left End	RN - No Endcap Right End				
12"-144" 2" increments	RGBW36SO - Standard	CLR - Color	LE - Endcap Left End	RNJ - No Right Endcap, With Jumper Wires	LPB - Back Plenum Leads	RNPF - No Power Feed			
	RGBW36HO - High RGB42SO - Standard RGB42HO - High		LN - No Endcap Left End	RNPF - No Power Feed					
12"-144" 4" increments	RGBWX18SO - Standard	PXSPI - Smart Pixel Control	LNJ - No Left Endcap, With Jumper Wires	RE - Endcap Right End	LNPF - No Power Feed	RPB - Back Plenum Leads			
	RGBX18SO - Standard		RN - No Endcap Right End	RNPF - No Power Feed					
						LNJ - No Left Endcap, With Jumper Wires	RNJ - No Right Endcap, With Jumper Wires	LNPF - No Power Feed	RNPF - No Power Feed

1 - Custom lengths and increments are available, please consult Inside Sales with specific request.
 2 - Warm Dim and Tunable White options can be used to comply with Title 24 JAS at max brightness depending on lens selection; see multiplier charts to calculate specific efficacy.
 3 - Plenum Rated Wire leads are 72" long.

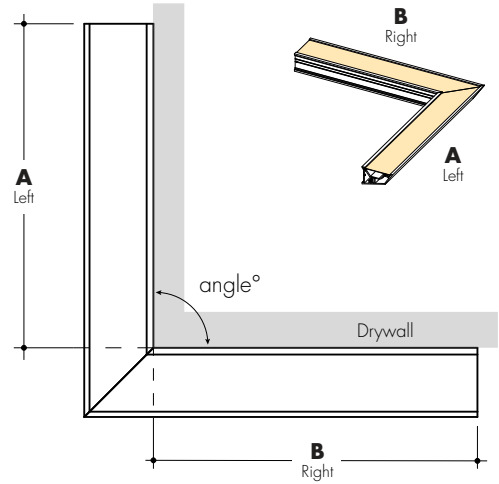
4 - NOTE: Cannot pair LNPF/RNPF without jumper connections - either LNJ or RNJ must be selected to allow for LNPF/RNPF to be chosen.
 5 - NOTE: Cannot pair LPB/RPB together. Only one power feed per fixture/section on mCove
 6 - NOTE: Cannot have a power feed on the same end as a jumper wire connection.

mCove Corner Options

M-IC
Inner Corner



M-OC
Outer Corner



Tunable White	Actual Length		Total Wattage			
	A	B	TW51SO	TW51HO	TW51VHO	TW51X2VHO
Inner (M-IC)	12 4/16"	12 4/16"	8.9	11.1	15.5	19.6
Outer (M-OC)	11 4/16"	11 4/16"	8.9	11.1	15.5	19.6

Warm Dimming	Actual Length		Total Wattage		
	A	B	WD51SO	WD51HO	WD51VHO
Inner (M-IC)	12 4/16"	12 4/16"	4.7	9.9	14.1
Outer (M-OC)	11 4/16"	11 4/16"	4.7	9.9	14.1

RGB/RGBW/PIXEL	Actual Length		Total Wattage					
	A	B	RGB42SO	RGB42HO	RGBW36SO	RGBW36HO	RGBX18SO	RGBWX18SO
Inner (M-IC)	11 12/16"	11 12/16"	9.9	18.7	8.5	15.9	9.4	11.9
Outer (M-OC)	12 12/16"	12 12/16"	9.9	18.7	8.5	15.9	9.4	11.9

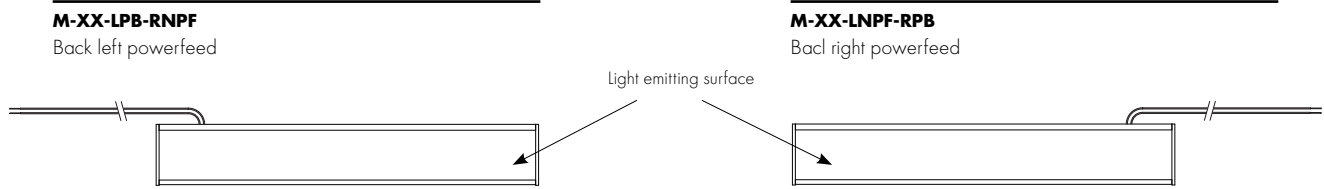
Ordering Code

MODEL	CORNER	ANGLE ¹	OUTPUT ²	CCT	REFLECTOR	FINISH	LEFT END CAP	RIGHT END CAP	POWER FEED LEFT END ³	POWER FEED RIGHT END ³
M - mCove	IC - Inner OC - Corner Outer Corner	90 - 90° Corner C - Custom Angle Corner	WD51SO - Standard WD51HO - High WD51VHO - Very High	18K24K - 1800K - 2400K 18K27K - 1800K - 2700K 18K30K - 1800K - 3000K	IT - Long Throw TT - Tall Throw	PR - Paint Ready	LE - Endcap Left End LN - No Endcap Left End	RE - Endcap Right End RN - No Endcap Right End	LPB - Back Plenum Leads LNPF - No Power Feed	RPB - Back Plenum Leads LNPF - No Power Feed
			TW51SO - Standard TW51HO - High TW51VHO - Very High TW51X2VHO - Very High	18K30K - 1800K - 3000K 27K65K - 2700K - 6500K			LE - Endcap Left End LN - No Endcap Left End	RE - Endcap Right End RN - No Endcap Right End	LNPF - No Power Feed RPB - Back Plenum Leads	LNPF - No Power Feed RPB - Back Plenum Leads
			RGBW36SO - Standard RGBW36HO - High RGB42SO - Standard RGB42HO - High	CLR - Color			LE - Endcap Left End LN - No Endcap Left End	RNJ - No Right Endcap, With Jumper Wires	LPB - Back Plenum Leads LNPF - No Power Feed	LNPF - No Power Feed RPB - Back Plenum Leads
			RGBWX18SO - Standard RGBX18SO - Standard	PXSPI - Smart Pixel Control			LNJ - No Left Endcap, With Jumper Wires	RE - Endcap Right End RN - No Endcap Right End	LNPF - No Power Feed RPB - Back Plenum Leads	LNPF - No Power Feed RPB - Back Plenum Leads
							LNJ - No Left Endcap, With Jumper Wires	RNJ - No Right Endcap, With Jumper Wires	LNPF - No Power Feed RNPF - No Power Feed	LNPF - No Power Feed RNPF - No Power Feed

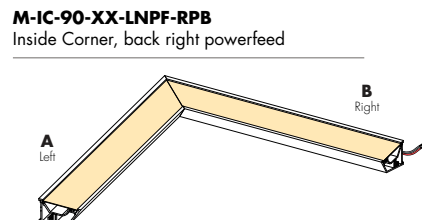
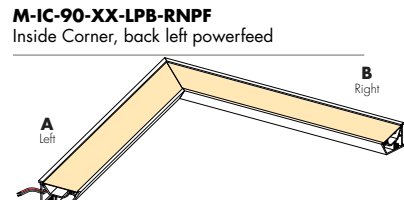
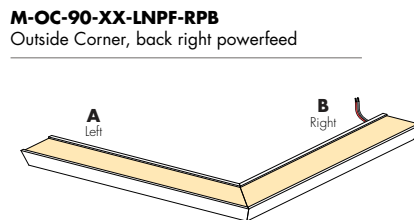
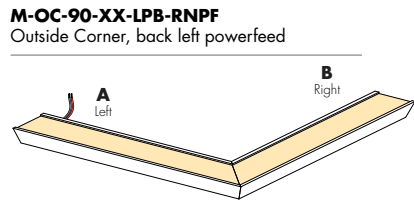
1 - Custom Angle Corners are available, please consult Inside Sales with specific request.
 2 - Warm Dim and Tunable White options can be used to comply with Title 24 JAB at max brightness depending on lens selection, see multiplier charts to calculate specific efficacy.
 3 - Plenum Rated Wire leads are 72" long.

4 - NOTE: Cannot pair LNPF-RNPF without jumper connections - either LNJ or RNJ must be selected to allow for LNPF-RNPF to be chosen.
 5 - NOTE: Cannot pair LPB-RPB together. Only one power feed per fixture/section on mCove
 6 - NOTE: Cannot have a power feed on the same end as a jumper wire connection.

Power feed options for straight sections



Power feed options for corner fixtures

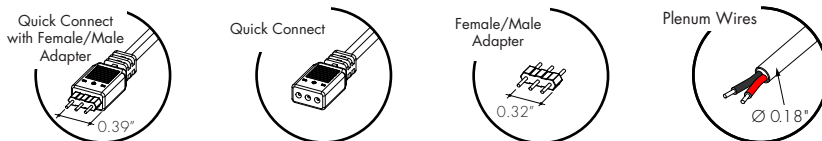


Powerfeeds and Connectors

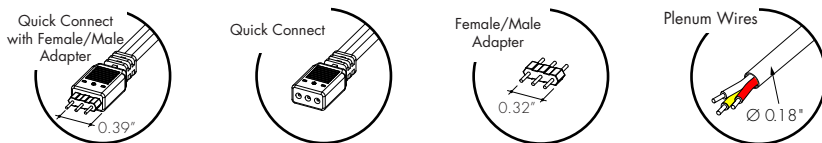
Linking and Extension Cable Options

Jumpers, Adapters, and Lead Wires are included

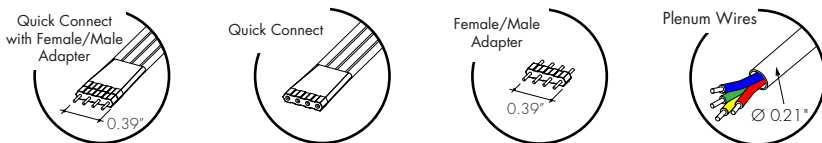
For use with Warm Dim (WD51):



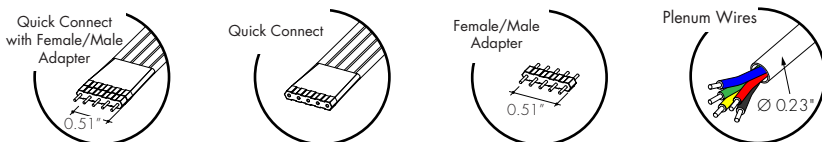
For use with Tunable White (TW51), RGB Pixel (RGBX18) and RGBW Pixel (RGBWX18):



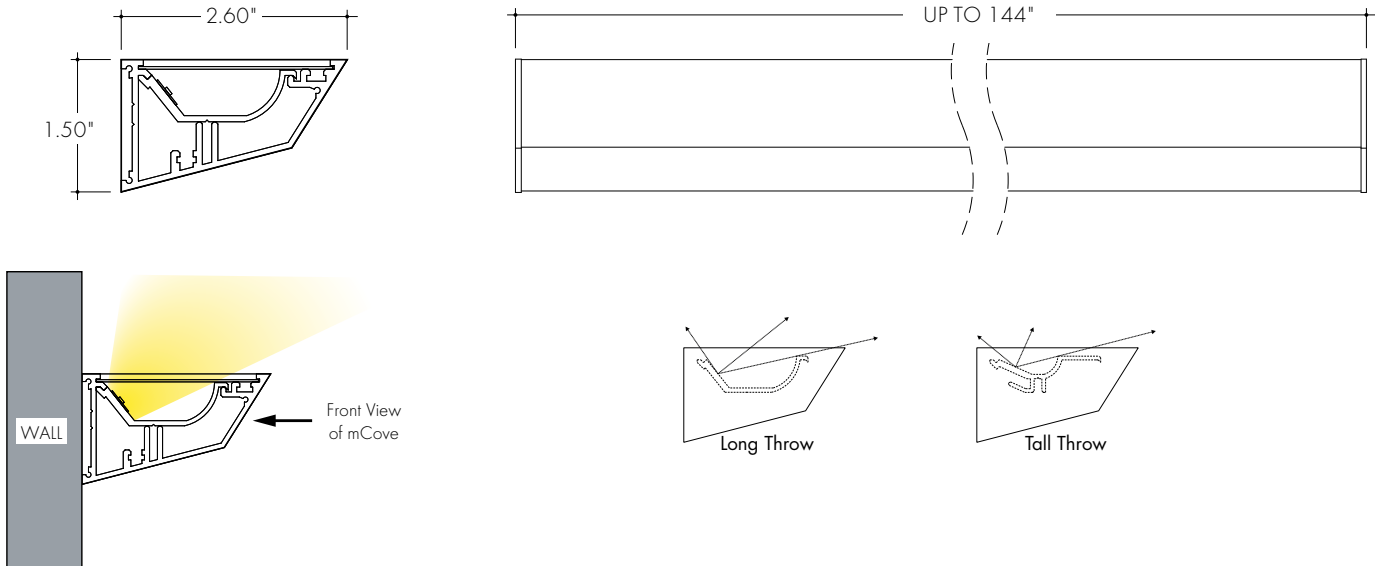
For use with RGB (RGB42):



For use with RGBW (RGBW36):

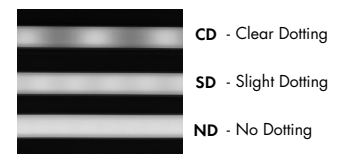


Product Dimensions

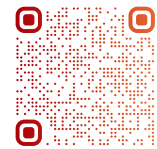


Light Transmission and Dotting

Output Options	Lens/Accessory							
	Long Throw Reflector				Tall Throw Reflector			
Dimming Level	100%	50%	10%	1%	100%	50%	10%	1%
WD51SO	CD	CD	CD	CD	CD	CD	CD	CD
WD51HO	CD	CD	CD	CD	CD	CD	CD	CD
WD51VHO	CD	CD	CD	CD	CD	CD	CD	CD
TW51SO (All On)	CD	CD	CD	CD	CD	CD	CD	CD
TW51HO (All On)	CD	CD	CD	CD	CD	CD	CD	CD
TW51VHO (All On)	CD	CD	CD	CD	CD	CD	CD	CD
TW51SO (1 CH)	CD	CD	CD	CD	CD	CD	CD	CD
TW51HO (1 CH)	CD	CD	CD	CD	CD	CD	CD	CD
TW51VHO (1 CH)	CD	CD	CD	CD	CD	CD	CD	CD
TW51X2VHO (All On)	CD	CD	CD	CD	CD	CD	CD	CD
TW51X2VHO (1 CH)	CD	CD	CD	CD	CD	CD	CD	CD
RGBW36SO	CD	CD	CD	CD	CD	CD	CD	CD
RGBW36HO	CD	CD	CD	CD	CD	CD	CD	CD
RGB42SO	CD	CD	CD	CD	CD	CD	CD	CD
RGB42HO	CD	CD	CD	CD	CD	CD	CD	CD
RGBWX18SO	CD	CD	CD	CD	CD	CD	CD	CD
RGBX18SO	CD	CD	CD	CD	CD	CD	CD	CD
Transmission Percentage	100%				100%			



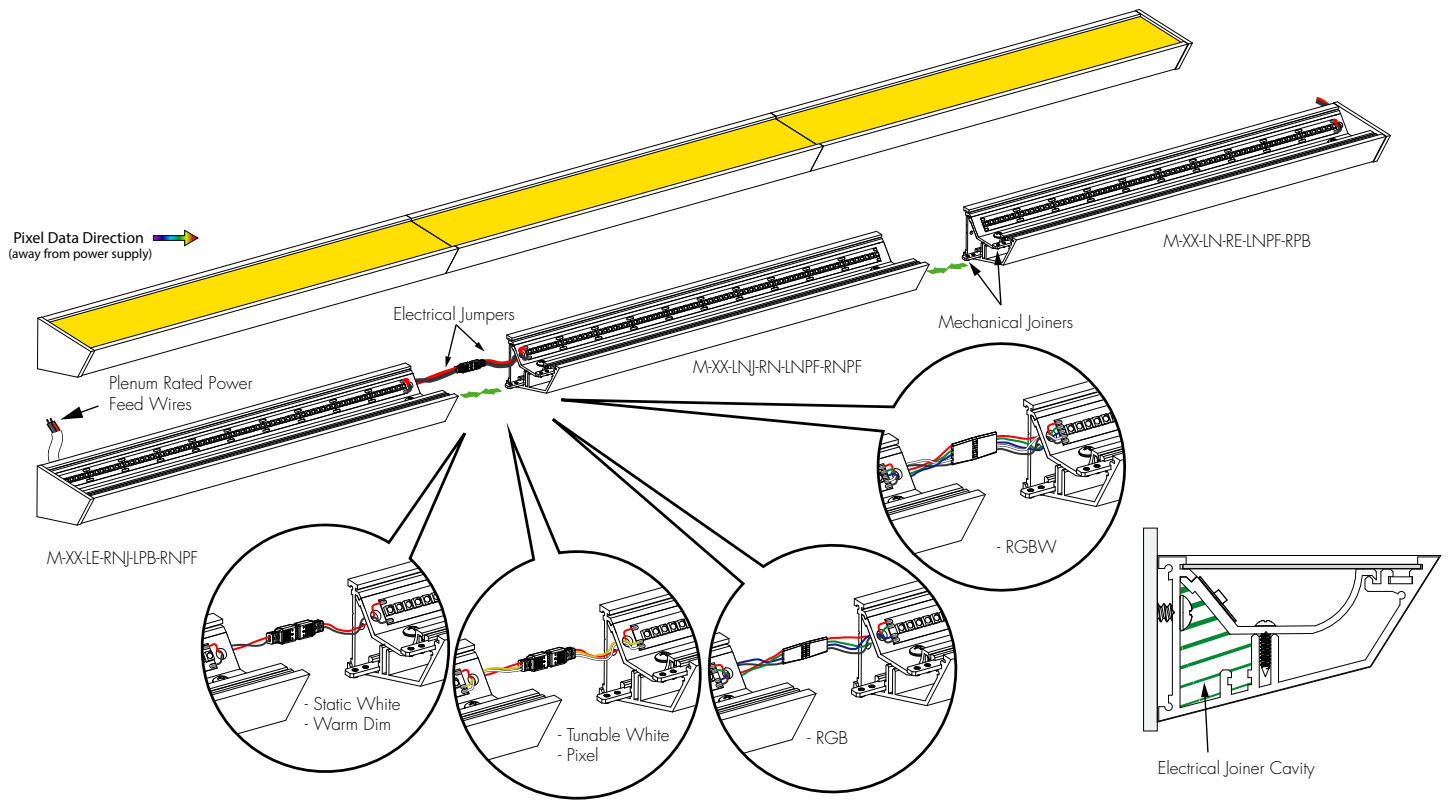
Use complete Dotting Chart Tool online for more dotting information



I'm also click-able

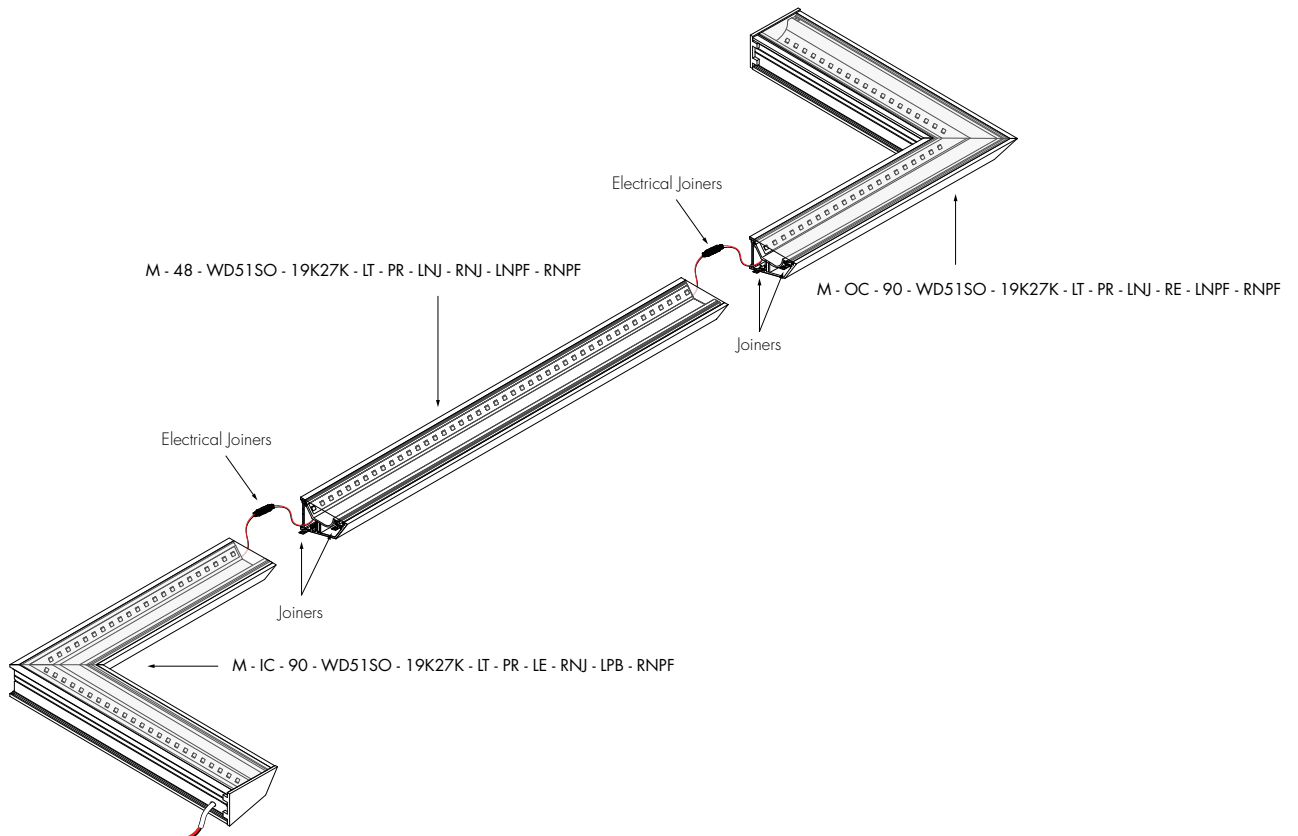
*Fixture uses indirect lighting, will have clear dotting if looking from above the fixture

Sample Layout of Power Feed



NOTE: When ordering continuous runs with RGBWX1850 or RGBX1850 pixel output option, power must come from one direction only.

Layout example



Power Consumption

Please visit the link/QR code below to access the Luminii Power Consumption Chart tool on our website.

There you will be able to select your fixture, output, and desired power feed to get a full power consumption table.



I'm also click-able

Desired Nominal Length: _____

Desired Output: _____

Desired CCT: _____

Voltage Drop Calculator

The below chart assumes nominal voltage of 24 Volts and a Voltage Drop Allowance of 3% through the wire

Wattage [W]	Maximum Wire Length From Power Supply to Start of Run [ft]						
	12 AWG	14 AWG	16 AWG	18 AWG	20 AWG	22 AWG	24 AWG
5	1088.2	684.4	430.3	270.6	170.2	107.1	67.3
10	544.1	342.2	215.1	135.3	85.1	53.5	33.7
15	362.7	228.1	143.4	90.2	56.7	35.7	22.4
20	272.0	171.1	107.6	67.7	42.6	26.8	16.8
25	217.6	136.9	86.1	54.1	34.0	21.4	13.5
30	181.4	114.1	71.7	45.1	28.4	17.8	11.2
35	155.5	97.8	61.5	38.7	24.3	15.3	9.6
40	136.0	85.5	53.8	33.8	21.3	13.4	8.4
45	120.9	76.0	47.8	30.1	18.9	11.9	7.5
50	108.8	68.4	43.0	27.1	17.0	10.7	6.7
55	98.9	62.2	39.1	24.6	15.5	9.7	6.1
60	90.7	57.0	35.9	22.6	14.2	8.9	5.6
65	83.7	52.6	33.1	20.8	13.1	8.2	5.2
70	77.7	48.9	30.7	19.3	12.2	7.6	4.8
75	72.5	45.6	28.7	18.0	11.3	7.1	4.5
80	68.0	42.8	26.9	16.9	10.6	6.7	4.2
85	64.0	40.3	25.3	15.9	10.0	6.3	4.0
90	60.5	38.0	23.9	15.0	9.5	5.9	3.7
96	56.7	35.6	22.4	14.1	8.9	5.6	3.5

Power Supplies

See fixture and power supply instructions & spec sheet for wiring information. Dimming possible in select models - view Luminii website for list of compatible dimmers.

For use with Warm Dim

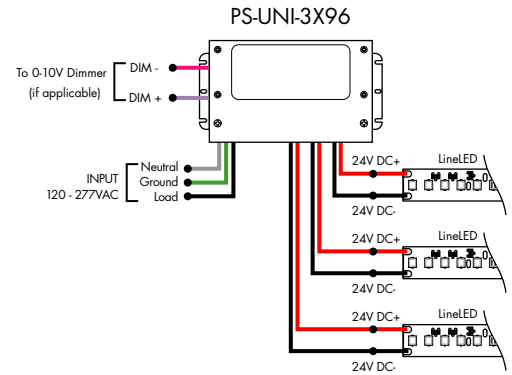
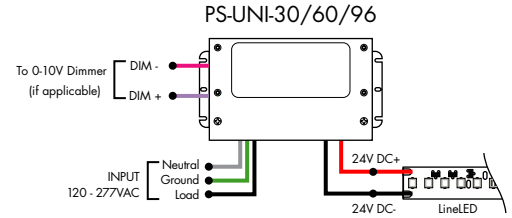
Ordering Code - Universal Dimming Power Supplies 0.1% 120VAC - 277VAC

MODEL	INPUT CONTROL	WATTAGE	OUTPUT
PS-Power Supply, 120-277VAC	UNI - 0-10V Dimming (0.1%), Phase Dimming (0.1%)	30 - 30 Watts 60 - 60 Watts 96 - 96 Watts 3x96 - 3x96 Watts	24 - 24 VDC

Compatibility: View a complete list of compatible dimmers on the PS-UNI product page.

0-10V - 0.1% dimming
MLV/ELV/TRIAC - 0.1% dimming, consult dimming compatibility chart

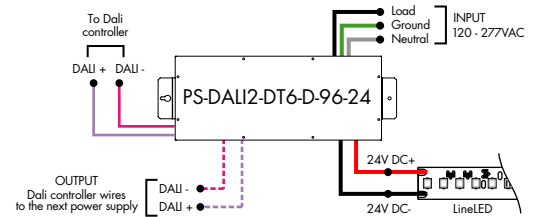
MODELS	PS-UNI-30W	PS-UNI-60W	PS-UNI-96W	PS-UNI-3X96W
Length	6.50"	7.40"	8.66"	11.85"
Width	3.73"	3.73"	3.73"	4.32"
Depth	1.61"	1.61"	1.61"	1.81"



Ordering Code - DALI 2 Dimming Power Supplies 0.1% 120VAC - 277VAC

MODEL	INPUT CONTROL	ENVIRONMENT	WATTAGE	OUTPUT
PS-Power Supply, 120-277VAC	DALI2-DT6 - DALI2 DT6 (0.1%)	D - Dry	96-96 Watts	24 - 24 VDC

Model	96W
Length	14.40"
Width	5.20"
Depth	2.60"



Power Supplies

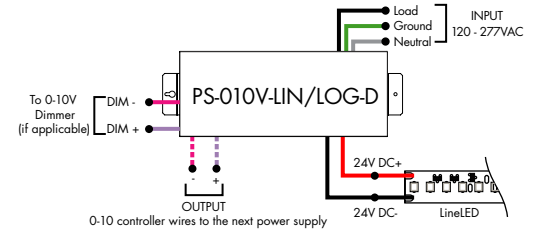
See fixture and power supply instructions & spec sheet for wiring information. Dimming possible in select models - view Luminii website for list of compatible dimmers.

For use with Warm Dim

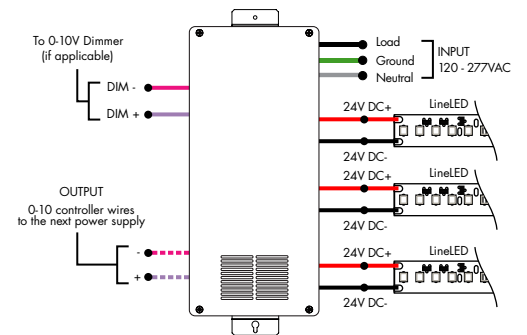
Ordering Code - 0-10V Dimming Power Supplies 0.1% 120VAC - 277VAC

MODEL	INPUT CONTROL	ENVIRONMENT	WATTAGE	OUTPUT
PS - Power Supply, 120-277VAC	010V-LIN - 0-10V Dimming (0.1%), Linear 010V-LOG - 0-10V Dimming (0.1%), Logarithmic	D - Dry	96-96 Watts 3x96-3x96 Watts	24-24 VDC

MODELS	96W	3X96
Length	14.40"	15.00"
Width	5.20"	6.62"
Depth	2.60"	4.45"



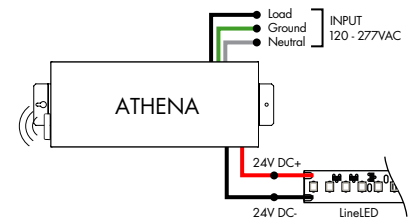
PS-010V-LIN/LOG-D-3X96



Ordering Code - Athena 0-10V LED Driver

MODEL	INPUT CONTROL	ENVIRONMENT	WATTAGE	OUTPUT	FEATURE
PS - Power Supply, 120-277VAC	010V-LIN - 0-10V Dimming (0.1%), Linear 010V-LOG - 0-10V Dimming (0.1%), Logarithmic	D - Dry	96-96 Watts	24-24 VDC	AWNDR - Athena

MODELS	96W
Length	14.40"
Width	5.20"
Depth	2.60"



Power Supplies

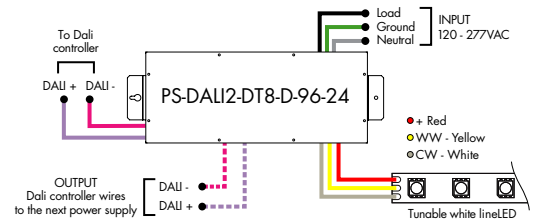
See fixture and power supply instructions & spec sheet for wiring information. Dimming possible in select models - view Luminii website for list of compatible dimmers.

For use with Tunable White

Ordering Code - DALI2 Dimming Power Supplies 0.1% 120VAC - 277VAC

MODEL	INPUT CONTROL	ENVIRONMENT	WATTAGE	OUTPUT
PS - Power Supply, 120-277VAC	DALI2-DT8 - DALI DT8 Tunable White (0.1%)	D - Dry	96 - 96 Watts	24 - 24 VDC

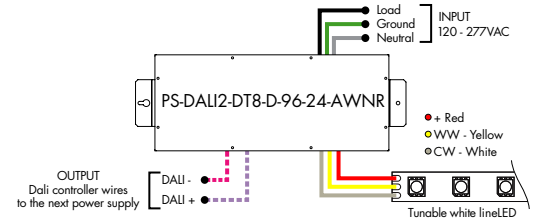
MODELS	96W
Length	14.40"
Width	5.20"
Depth	2.60"



Ordering Code - Athena DALI2 Dimming Power Supplies 0.1% 120VAC - 277VAC

MODEL	INPUT CONTROL	ENVIRONMENT	WATTAGE	OUTPUT	FEATURE
PS - Power Supply, 120-277VAC	DALI2-DT8 - DALI DT8 Tunable White (0.1%)	D - Dry	96 - 96 Watts	24 - 24 VDC	AWN - Athena

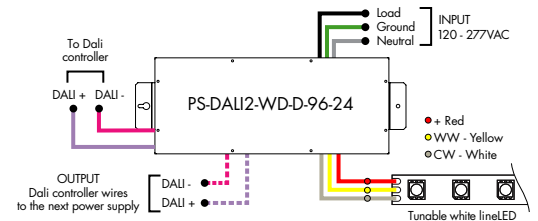
MODELS	96W
Length	14.40"
Width	5.20"
Depth	2.60"



Ordering Code - DALI2 Dimming Power Supplies 0.1% 120VAC - 277VAC - for Dim-to-Warm functionality with Tunable White Output

MODEL	INPUT CONTROL	ENVIRONMENT	WATTAGE	OUTPUT
PS - Power Supply, 120-277VAC	DALI2-WD - DALI2 DT6 Warm Dim (0.1%)	D - Dry	96 - 96 Watts	24 - 24 VDC

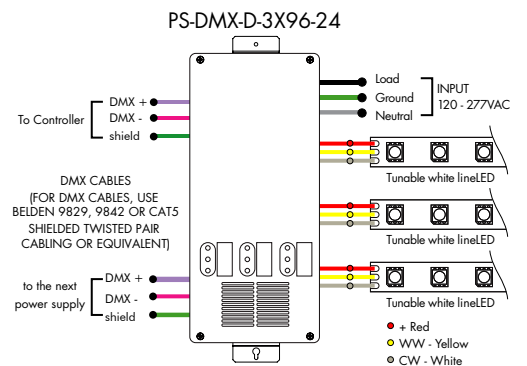
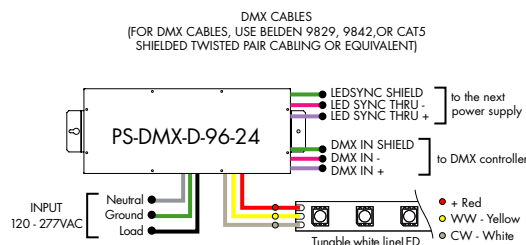
MODELS	96W
Length	14.40"
Width	5.20"
Depth	2.60"



Ordering Code - DMX Dimming Power Supplies 0.1% 120VAC - 277VAC

MODEL	INPUT CONTROL	ENVIRONMENT	WATTAGE	OUTPUT
PS - Power Supply, 120-277VAC	DMX - DMX (0.1%)	D - Dry	96 - 96 Watts 3X96 - 3X96 Watts	24 - 24 VDC

MODELS	96W	3X96
Length	14.40"	15.00"
Width	5.20"	6.62"
Depth	2.60"	4.56"



Power Supplies

See fixture and power supply instructions & spec sheet for wiring information. Dimming possible in select models - view Luminii website for list of compatible dimmers.

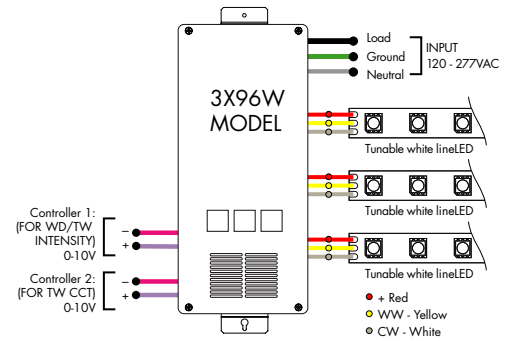
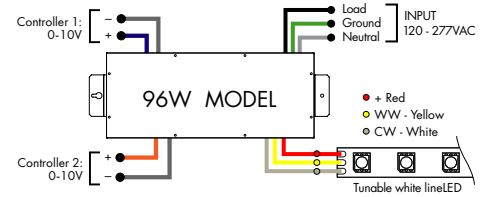
For use with Tunable White

Ordering Code - VintageDim® 0-10V Dimming Power Supplies 0.1% 120VAC - 277VAC

MODEL	INPUT CONTROL	ENVIRONMENT	WATTAGE	OUTPUT
PS - Power Supply, 120-277VAC	010V-WD - 0-10V Dimming (0.1%), Standard Warm Dim Curve (with Tunable White LED) 010V-TW - 0-10V Dimming (0.1%), Two Channel Control, Brightness and CCT1-CCT2 Ratio 010V-2CH - 0-10V Dimming (0.1%), Two Channel Control, LED1 Brightness and LED2 Brightness 010V-WDX - 0-10V Dimming (0.1%), Customizable Warm Dim Curve (with Tunable White LED) 010V-2CHX - 0-10V Dimming (0.1%), Two Channel Control, Customizable Brightness and CCT1-CCT2 Ratio	D-Dry	96-96 Watts 3X96-3x96 Watts ¹	24-24 VDC

1 - 3x96 is only available with input control options 010V-WD and 010V-TW

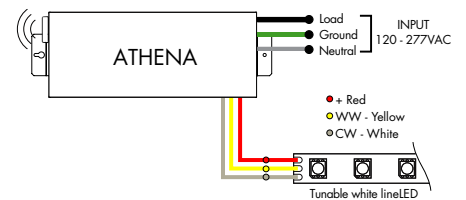
MODELS	96W	3X96
Length	14.40"	15.00"
Width	5.20"	6.62"
Depth	2.60"	4.56"



Ordering Code - Athena VintageDim® 0-10V Power Supply 0.1% 120VAC - 277VAC - for Dim-to-Warm functionality with Tunable White Output

MODEL	INPUT CONTROL	ENVIRONMENT	WATTAGE	OUTPUT	FEATURE
PS - Power Supply, 120-277VAC	010V-WD - 0-10V Dimming, Standard Warm Dim Curve (with Tunable White LED)	D-Dry	96-96 W	24-24 VDC	AWNDR - Athena

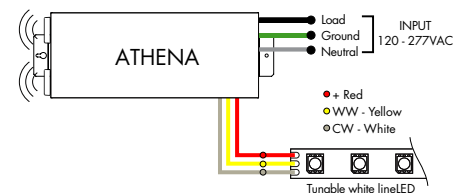
MODELS	96W
Length	14.40"
Width	5.20"
Depth	2.60"



Ordering Code - Athena VintageDim® 0-10V Two Channel LED Driver, 0.1% 120VAC - 277VAC

MODEL	INPUT CONTROL	ENVIRONMENT	WATTAGE	OUTPUT	FEATURE
PS - Power Supply, 120-277VAC	010V-2CH - 0-10V Dimming Two Channel Control, LED1 Brightness and LED2 Brightness	D-Dry	96-96 W	24-24 VDC	AWNDR - Athena

MODELS	96W
Length	14.40"
Width	5.20"
Depth	2.60"



Power Supplies

See fixture and power supply instructions & spec sheet for wiring information. Dimming possible in select models - view Luminii website for list of compatible dimmers.

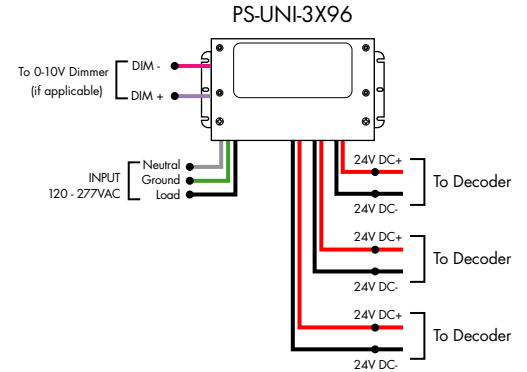
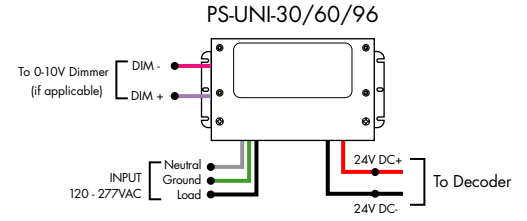
For use with RGB/RGBW

Ordering Code - Universal Dimming Power Supplies 0.1% 120VAC - 277VAC

MODEL	INPUT CONTROL	WATTAGE	OUTPUT
PS - Power Supply, 120-277VAC	UNI - 0-10V Dimming (0.1%), Phase Dimming (0.1%)	30 - 30 Watts 60 - 60 Watts 96 - 96 Watts 3x96 - 3x96 Watts	24 - 24 VDC

MODELS	PS-UNI-30W	PS-UNI-60W	PS-UNI-96W	PS-UNI-3X96W
Length	6.50"	7.40"	8.66"	11.85"
Width	3.73"	3.73"	3.73"	4.32"
Depth	1.61"	1.61"	1.61"	1.81"

REQUIRES A CONTROLLER AND A DECODER TO WORK PROPERLY



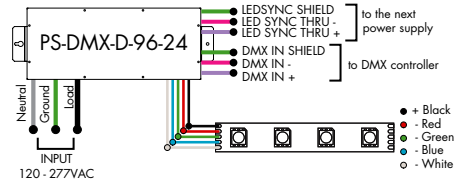
For use with RGB/RGBW

Ordering Code - DMX Dimming Power Supplies 0.1% 120VAC - 277VAC

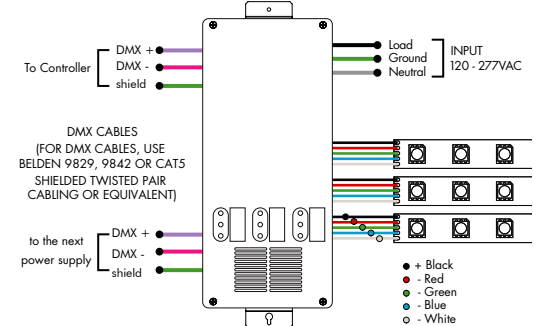
MODEL	INPUT CONTROL	ENVIRONMENT	WATTAGE	OUTPUT
PS - Power Supply, 120-277VAC	DMX - DMX (0.1%)	D - Dry	96 - 96 Watts 3X96 - 3X96 Watts	24 - 24 VDC

MODELS	96W	3X96
Length	14.40"	15.00"
Width	5.20"	6.62"
Depth	2.60"	4.56"

DMX CABLES (FOR DMX CABLES, USE BELDEN 9829, 9842 OR CAT5 SHIELDED TWISTED PAIR CABLING OR EQUIVALENT)



PS-DMX-D-3X96-24

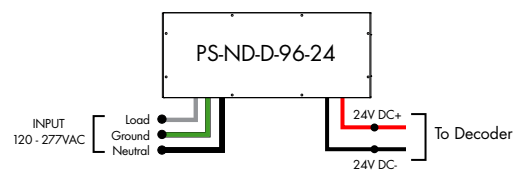


For use with RGB/RGBW/Pixel

Ordering Code - Non-Dimming Power Supply 120VAC - 277VAC

MODEL	INPUT CONTROL	ENVIRONMENT	WATTAGE	OUTPUT
PS - PSV Series	ND - Non Dimming	D - Dry	96 - 96 Watts	24 - 24 VDC

MODELS	96W
Length	14.40"
Width	5.20"
Depth	2.60"



REQUIRES A CONTROLLER AND A DECODER TO WORK PROPERLY

Controllers and Decoders

For use with Tunable White Power Supplies



ORDERING CODE

MODEL

DTW-MC

DTW-MC - Tunable White controller

Tunable White wall-mount controller controls lighting fixtures, wireless control of TW lighting fixture. Fits in any standard US switch box. Includes all the outputs in the back of the controller.

Features

- Switch & dimming control function, control range > 20M.
- Smooth transition between light levels.
- Separately operate dimming and color temperature functions.
- Able to control 1 zone with endless receivers. Each receiver can maximally be controlled by 8 remotes.
- Power, temperature color and dimming functions operated by push button after receivers are connected.

Operating Voltage

3V DC battery

Color Parameters

- Brightness
- Saturation
- Fading



ORDERING CODE

MODEL

TW-DMX

TW-DMX - DMX controller

Tunable White DMX wall-mount controller is a fully touch sensitive controller designed in accordance with standard dimming protocol DMX512. Offers fast and accurate color temperature adjustment and brightness dimming of natural white, warm white and cold white. Designed with a touch color wheel, the DMX512 controller can adjust color temperature and brightness for all white LEDs smoothly and accurately. The DMX controller can control 1 zone with endless decoders.

Features

- 1 zone
- 6 color scenes
- DMX Control
- Touch Sensitive Glass Surface
- Dimming and Speed Control
- Memory Function
- Easily Fits Standard US Switch Boxes

Operating Voltage

12 - 24V DC

Color Parameters

- Brightness
- Saturation
- Primary colors
- Fading
- Color changing speed



ORDERING CODE

MODEL

SLD-DIMTW

SLD-DIMTW - Tunable white LED dimming module

The SLD DimTW is a constant voltage warm dimming LED dimming module. The unique dimming module accepts 0-10V control and mimics a smooth, incandescent dimming curve.

Features

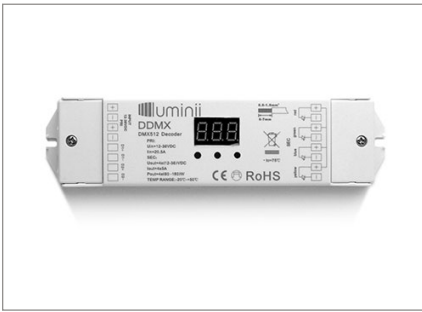
- Flicker free 0-100% dimming
- High efficiency up to 97%
- High precision dimming ratio:>1:1000
- Fully isolated plastic housing
- Comply with EN55015 and FCC part 15 without additional input filter and capacitors
- compact size, high reliability
- 3 years warranty

Operating Voltage

8-48 VDC

Controllers and Decoders

For use with Tunable White, RGB/RGBW Power Supplies



Translates controller DMX512 programs for RGB and white LED strips.

Unique DMX address for the decoder can be set easily and displayed by the numeric display on the case. Changing and resetting the DMX address requires manual input.

Use power repeater to expand output.

Operating Voltage

12-36 VDC

Power Capacity

up to 96W at 24V

Operating Temperature Range

from -4°F to +122°F in case

ORDERING CODE

MODEL

DDMX-RGBW

DDMX-RGBW - DMX decoder



The RGBW receiver is easily paired with controller by the click of a button. Receiver can be reset to factory settings at any time.

Each receiver can store one static RGB color, one color sequence, and one brightness setting for the white LED strip. Receivers assigned to the same scene within the same zone will have the same LED static color and color sequence.

Operating Voltage

12-36 VDC

Power Capacity

up to 96W at 24V

Operating Temperature Range

from -4°F to +122°F in case

ORDERING CODE

MODEL

RGBW-RC-R

RGBW-RC-R - RGBW receiver



Extends identical signal when connected in series to an RGBW LED control system. The RGBW signal repeater works with Luminii RGB and RGBW controllers, receivers, and decoders.

RGBW signal can be extended indefinitely when adequate power supply (not included) is connected to the system.

Operating Voltage

12-36 VDC

Power Capacity

up to 96W at 24V

Operating Temperature Range

from -4°F to +122°F in case

ORDERING CODE

MODEL

RGBW-SR

RGBW-SR - RGBW signal repeater

Controllers and Decoders

For use with RGB/RGBW Power Supplies



ORDERING CODE

MODEL

RGBW-MC3

RGBW-MC3 - 4-zone RGBW controller

Easy to operate wireless interface suitable for static or color changing scenes. Control 4 different color zones separately or at the same time. RGBW receiver (RGBW-RC-R) required for operation. Assign multiple receivers per zone to cover a large area.

Color wheel enables highly stable and sensitive color control functionality. Create your own color changing sequences with ease and flexibility.

Power

qty 3 AAA batteries

Scenes

up to 4 unique zones

Signal

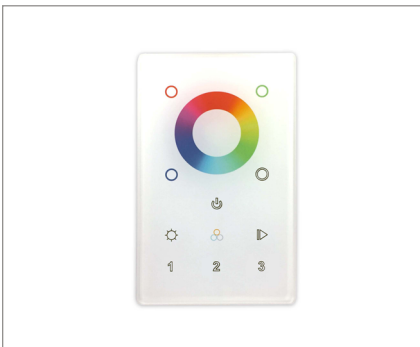
Wireless (RF)

Energy Saving

Deactivates after 10 seconds of inactivity

Color Parameters

- Brightness
- Saturation
- Primary colors
- Speed of color changing sequence
- Fading

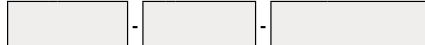


ORDERING CODE

MODEL

ZONES

COLOR



DMX-DMX Controller - 3Z - Three Zone 1Z - One Zone RGBW - Red, Green, Blue, & White

DMX /Wireless RGB-W wall-mount controller controls DMX lighting fixtures, wireless control of RGB-W lighting fixture or use both simultaneously. Fits in any standard US switch box. Includes all the outputs in the back of the controller.

Control brightness levels with a single touch, personalize and memorize 3 different scenes, and even create 3 variations of white.

Features

- 2 in 1 in-Wall Controller: DMX Control or Wireless RGB-W
- 65,000 Color Options, Dimming and Speed Control
- Memory Function
- 50 Foot Wireless Range
- Easily Fits Standard US Switch Boxes
- Touch Sensitive Glass Surface
- Includes 10 Built in Programs, or Create and Play Your Own

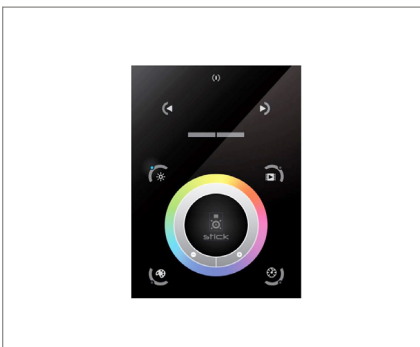
Operating Voltage

12 - 24V DC

Color Parameters

- Brightness
- Saturation
- Primary colors
- Fading
- Color changing speed

For use with Tunable White, RGB/RGBW, Pixel Power Supplies



ORDERING CODE

MODEL

TSDMX-E

TSDMX-E - Touchscreen DMX controller

Programmable advanced DMX512 lighting controller featuring a touch-screen interface. Operates as stand alone controller or integrated with most architectural lighting control systems. Can controller endless DMX512 enabled devices.

Mounts to standard single or dual gang wall box with the included power supply inside the junction box. Terminal block design for power and data connections.

Features

- Sleek glass design which sits 0.43" from the wall
- Graphical color display to show selected environment
- Color/dimmer/speed palette
- Color temperature mixing
- Touch sensitive buttons. No mechanical parts
- Touch sensitive wheel allows for accurate color selection
- Multi-zone microSD memory
- Multi-room control with 500 scenes, 10 zones
- 1024 DMX channels. Control 340 RGB fixtures
- USB & Ethernet connectivity for programming and control

Power Supply

7 VDC (included)

Programmability

PC, Mac, Tablet, Smartphone

Output Signal

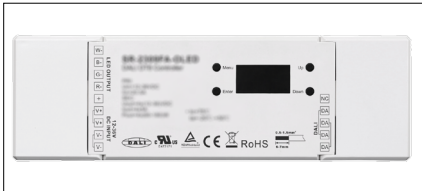
DMX512 (1024 channels)

Color Parameters

- Brightness
- Saturation
- Speed of color changing sequence
- Fading / dimming / brightness

Controllers and Decoders

For use with Tunable White, RGB/RGBW Power Supplies



ORDERING CODE

MODEL

DALI2-DT8-RGBW

DALI2-DT8-RGBW - DALI-2 RGBW Decoder

A 4-channel DALI2 DT8 decoder designed to control RGB, RGBW, and TW LED fixtures, featuring adjustable color temperature and customizable lumen output.

Voltage/Frequency
12-36VDC

Max Output Power
4 output channels, 60-180W each

Max Output Current
4 output channels, max of 5A each

Ambient Operating Temperature Range
-20 to 50°C

Environment
Dry (IP20)



ORDERING CODE

MODEL

DDMX-5CH-RDM-PRO

DDMX-5CH-RDM-PRO - DMX512 Decoder

DMX512 decoder with RDM functionality features 5 PWM output channels with common anode. High PWM output frequency range allows the product to be used in HD video conferencing spaces. All DMX products to be installed per DMX512 Standard.

Power

96 Watt

Inputs

RJ45, XLR-5Pin, Terminal Block

DMX Channels

1 to 5 settable

PWM Output Resolution Ratio

8 or 16 bit

PWM Output Frequency

500Hz - 30KHz

Output Dimming Curve Gamma Value

0.1 ~ 9.9



ORDERING CODE

MODEL

RGBW-WI-R

RGBW-WI-R - WIFI generator

RGBW-WI-R creates a local network that enables any electronic device (phone, tablet, etc.) to control the RGB/W strip connected to a RGBW-RC-R receiver.

The control functions are achieved through a free application download for Android and iOS devices called REALCOLOR.

Operating Voltage

12-36 VDC

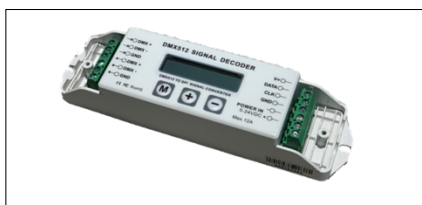
Power Supply

PI-130-24 (included)

Operating Temperature Range

from -4°F to +122°F in case

For use with Pixel Power Supplies



ORDERING CODE

MODEL

SR-DMX-SPI

SR-DMX-SPI - Smart Pixel Decoder

The SR-DMX-SPI is a smart LED pixel decoder that controls RGB/RGBW pixel LED strips with SPI signal. Designed with an OLED backlit panel, the pixel controller allows for easy configuration of most settings. Four push buttons are available for control of the LED functions.

*For pixel only.

Features

- 2 in 1 in-Wall Controller: DMX Control or Wireless RGB-W
- SPI signal output for RGB/RGBW pixel light control
- DMX512 controllable and RF/WIFI remote controllable
- Capable of addressing up to 1020 RGB pixels & 765 RGBW pixels
- OLED panel allows for easy configuration

Operating Voltage

12 - 36V DC

Power capacity

up to 96W at 24V

Operating temperature range

from -4°F to +122°F in case