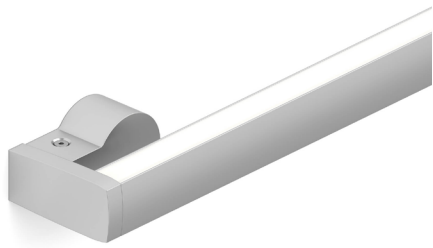
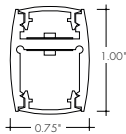


Features



- Extruded aluminum linear wall mount system providing both direct and indirect light.
- 24VDC Class 2 fixtures made to order up to 96".
- Suitable for wall mount applications
- Class 2 listed for damp locations
- Dot free even illumination
- Direct lumens output is 42.5% of total lumens output from Technical Information.
- High Color Quality options offer premium quality and vibrant colors with R9 values up to 97
- High Efficacy options offer best in class output and efficacy with over 780 lm/ft and up to 55 lm/W
- Proprietary strong bond solder method handles up to 50 lbs of pull force on wire leads and connectors
- Average Life (L70): 50,000hrs
- 7 Year warranty



Finish Options (see page 2 for additional information)

- Base Silver Anodized
-
- Powder Coat Black Bronze White
-
- Premium Matte Black Warm Nickel Aged Brass
 Polished Gold Chrome



Technical Information

MODEL	High Color Quality			High Efficacy				High Efficacy
OUTPUT OPTIONS	72SO	72HO	72VHO	HE48LO	HE48SO	HE48MO	HE48HO	HE64VHO
Lumens Output (3000K) (Downlight + Uplight with a Frosted Lens)	215 lm/ft	349 lm/ft	425 lm/ft	209 lm/ft	290 lm/ft	387 lm/ft	621 lm/ft	786 lm/ft
Average Power Consumption (for a 4' section)	5.6 W/ft	9.6 W/ft	12 W/ft	3.8 W/ft	5.6 W/ft	7 W/ft	13 W/ft	15 W/ft
Efficacy	38 lm/W	36 lm/W	35 lm/W	55 lm/W	52 lm/W	55 lm/W	48 lm/W	52 lm/W
Max Run Length (in series)	20 ft	16 ft	11 ft	24 ft	21 ft	17 ft	12 ft	8 ft
Ambient Operating Temperature Range*	-5°F - 125°F (-20°C - 50°C)	-5°F - 105°F (-20°C - 40°C)	-5°F - 90°F (-20°C - 30°C)	-5°F - 125°F (-20°C - 50°C)		-5°F - 90°F (-20°C - 30°C)		-5°F - 80°F (-20°C - 25°C)

*Ambient Operating Temperature Range to maintain L70 of 50k+ hours in normal mounting conditions for the fixture. Exceeding Ambient Operating Temperature Range may result in decreased life/output. Consult Technical Support for specific inquiries.

High Color Quality (72)

CCT	Multiplier (reference - 3000K)	TM-30			
		CRI	R _f	R _g	R ₉
1900K	0.55	96	94	97	90
2200K	0.70	96	95	101	89
2400K	0.72	98	97	101	91
2700K	0.74	97	96	101	91
3000K	1.00	97	95	104	97
3500K	1.02	97	94	105	97
4100K	1.07	97	90	99	97

High Efficacy (HE48/HE64)

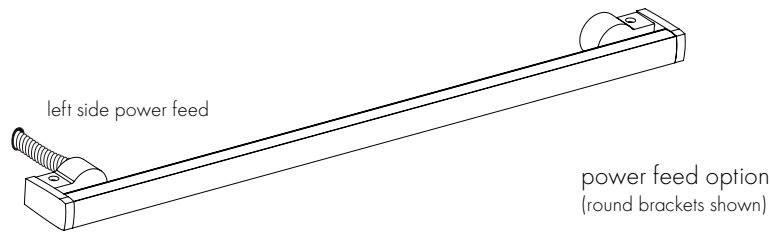
CCT	Multiplier (reference - 3000K)	TM-30			
		CRI	R _f	R _g	R ₉
2200K	0.73	92	91	97	42
2500K	0.81	93	96	96	62
2700K	0.94	92	90	99	58
3000K	1.00	92	89	99	57
3500K	1.02	92	89	99	60
4000K	1.02	92	86	94	71

Ordering Code

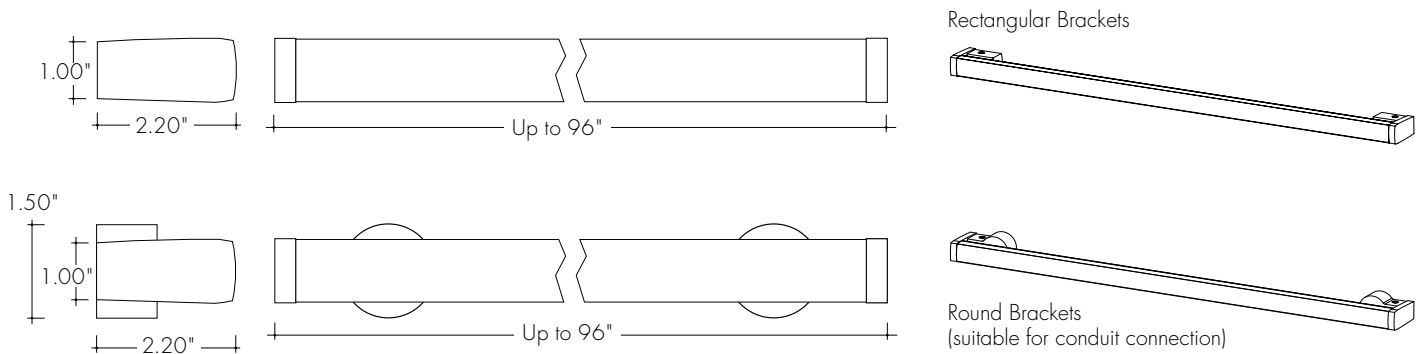
MODEL	LENGTH ¹	OUTPUT ²	CCT	LENS	MOUNTING	FINISH ³	FEED POSITION LEFT ⁵	FEED POSITION RIGHT ⁵
LUCW - Luceo Wall	24" - 96" 1" increments	72SO - Standard 72HO - High 72VHO - Very High	19K - 1900K 22K - 2200K 24K - 2400K 27K - 2700K 30K - 3000K 35K - 3500K 41K - 4100K	F - Frosted	RND - Round Brackets REC - Rectangle Brackets	BASE SA - Silver Anodized POWDER COAT BK - Black BZ - Bronze WH - White PREMIUM MBK - Matte Black WN - Warm Nickel AB - Aged Brass PG - Polished Gold ⁴ CH - Chrome ⁴	WIRE LEADS (72") LWB - Wire Back Feed LNPF - No Power Feed	WIRE LEADS (72") RWB - Wire Back Feed RNPF - No Power Feed
	24" - 96" 2" increments	HE48LO - Low HE48SO - Standard HE48MO - Medium HE48HO - High HE64VHO - Very High	22K - 2200K 25K - 2500K 27K - 2700K 30K - 3000K 35K - 3500K 40K - 4000K					

1 - Custom lengths and increments are available, please consult Inside Sales with specific request.
 2 - All High Efficacy options can be used to comply with Title 24 JAB. High Color Quality options can be used to comply with Title 24 JAB depending on Output, CCT, and lens selections. See multiplier charts to calculate specific efficacies.
 3 - Non Base finishes may have extended lead times. Custom RALs are available, please consult Inside Sales with specific request.
 4 - Polished Gold finishes and Chrome finishes have a maximum fixture length of 96".
 5 - LNPF - RNPF is not a valid configuration option

Power Feed Options



Product Dimensions



Finish Options

- Finish options are available in a wide variety, allowing for complete customization of style and aesthetic.
- Non Silver Anodized finishes may have extended lead times and price adder.
- Polished Gold and Chrome finishes have a maximum fixture length of 96".
- Custom RALs are available, please consult Inside Sales with specific request.

Silver Anodized Base



Silver Anodized is a soft silver with a clear finish.

Black Powder Coat



Black is a true deep black with a glossy finish.

Bronze Powder Coat



Bronze is a rich, dark brown with a satin finish.

White Powder Coat



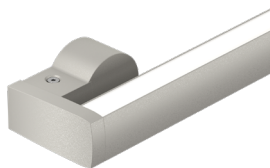
White is a polar bright white and field paintable.

Matte Black Premium



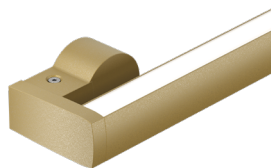
Matte Black is a dark, pitch-black with a soft flat finish.

Warm Nickel Premium



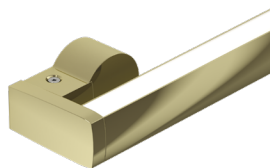
Warm Nickel is a soft, silvery smoke with warm tones and a satin finish.

Aged Brass Premium



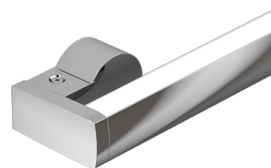
Aged Brass is a deep brown shade with slightly golden undertones.

Polished Gold Premium



Polished Gold is bright and radiant for a brilliant finish.

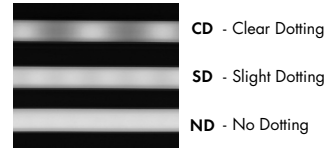
Chrome Premium



Chrome is a highly reflective silver polish.

Light Transmission and Dotting

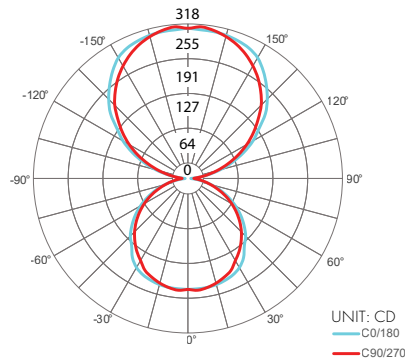
Output Options	Lens/Accessory			
	Frosted			
Dimming Level	100%	50%	10%	1%
72SO	ND	ND	ND	ND
72HO	ND	ND	ND	ND
72VHO	ND	ND	ND	ND
HE48LO	ND	ND	ND	ND
HE48SO	ND	ND	ND	ND
HE48MO	ND	ND	ND	ND
HE48HO	ND	ND	ND	ND
HE64VHO	ND	ND	ND	ND
Transmission Percentage	100%			



Photometry

LUC-48-72VHO-30K-F

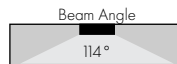
Luceo, 4ft, 3000K, VHO, Frosted Lens, Direct/Indirect Mode



Zonal Lumen Summary 3000K

Zone	Lumen	% Fixture
0-30	188	11.1%
0-40	311	18.3%
0-60	557	32.8%
0-90	723	42.5%
Total	1699	100.0%

Total



Power Consumption

Tested at Full Power with PS-UNI Series power supplies.

Standard Nominal Lengths offered provide minimal shadowing. For alternate lengths, please consult Inside Sales with specific request.

High Color Quality (72)

Nominal Length (in)	Actual Length	Watts			Nominal Length (in)	Actual Length	Watts			Nominal Length (in)	Actual Length	Watts		
		SO	HO	VHO			SO	HO	VHO			SO	HO	VHO
12	–	–	–	–	47	46 7/16	20.6	32.9	42.3	82	81 3/16	34.3	53.1	67.5
13	–	–	–	–	48	47 10/16	21.3	33.9	43.4	83	82 6/16	34.7	53.6	68.8
14	–	–	–	–	49	48 12/16	21.8	34.6	44.2	84	83 8/16	35.2	54.4	70.7
15	–	–	–	–	50	49 15/16	22.2	35.2	45.0	85	84 11/16	35.5	54.9	72.0
16	–	–	–	–	51	–	–	–	–	86	85 13/16	35.9	55.4	72.4
17	–	–	–	–	52	51 1/16	22.7	36.2	46.3	87	87	36.5	56.1	73.1
18	–	–	–	–	53	52 4/16	23.1	36.8	47.1	88	–	–	–	–
19	–	–	–	–	54	53 6/16	23.5	37.4	48.0	89	88 2/16	36.9	56.6	73.5
20	–	–	–	–	55	54 9/16	24.1	38.4	49.2	90	89 5/16	37.3	57.1	74.0
21	–	–	–	–	56	55 12/16	24.5	39.0	50.0	91	90 7/16	37.7	57.6	74.4
22	–	–	–	–	57	56 14/16	25.0	39.6	50.8	92	91 10/16	38.3	58.4	75.3
23	–	–	–	–	58	–	–	–	–	93	92 12/16	38.7	59.0	76.0
24	23 5/16	10.2	17.1	22.6	59	58 1/16	25.6	40.5	52.0	94	93 15/16	39.1	59.7	76.7
25	24 7/16	10.7	17.8	23.5	60	59 3/16	26.1	41.1	52.8	95	–	–	–	–
26	25 10/16	11.4	18.9	24.9	61	60 6/16	26.5	41.7	53.6	96	95 1/16	39.8	60.6	77.7
27	26 12/16	11.9	19.7	25.7	62	61 8/16	27.1	42.6	54.7					
28	27 15/16	12.3	20.5	26.6	63	62 11/16	27.5	43.1	55.4					
29	–	–	–	–	64	63 13/16	27.9	43.7	56.1					
30	29 1/16	13.1	21.6	27.8	65	65	28.5	44.5	57.1					
31	30 4/16	13.6	22.4	28.7	66	–	–	–	–					
32	31 6/16	14.0	23.1	29.6	67	66 2/16	28.9	45.0	57.8					
33	32 9/16	14.7	24.1	31.0	68	67 5/16	29.3	45.5	58.4					
34	33 12/16	15.1	24.7	31.9	69	68 7/16	29.6	45.9	59.1					
35	34 14/16	15.5	25.4	32.8	70	69 10/16	30.2	46.5	60.0					
36	–	–	–	–	71	70 12/16	30.5	47.0	60.6					
37	36 1/16	16.2	26.3	34.2	72	71 15/16	30.8	47.4	61.3					
38	37 3/16	16.6	26.9	35.1	73	–	–	–	–					
39	38 6/16	17.1	27.6	35.9	74	73 1/16	31.4	48.1	62.1					
40	39 8/16	17.7	28.5	37.2	75	74 4/16	31.8	48.8	62.5					
41	40 11/16	18.1	29.2	38.0	76	75 7/16	32.1	49.4	62.9					
42	41 13/16	18.5	29.8	38.8	77	76 9/16	32.7	50.4	63.5					
43	43	19.2	30.8	40.0	78	77 12/16	33.1	51.1	63.9					
44	–	–	–	–	79	78 14/16	33.5	51.7	64.3					
45	44 2/16	19.6	31.5	40.8	80	–	–	–	–					
46	45 5/16	20.1	32.2	41.5	81	80 1/16	34.0	52.5	66.2					

Power Consumption

Tested at Full Power with PS-UNI Series power supplies.

Standard Nominal Lengths offered provide minimal shadowing. For alternate lengths, please consult Inside Sales with specific request.

High Efficacy (HE48)

Nominal Length (in)	Actual Length	Watts				Nominal Length (in)	Actual Length	Watts				Nominal Length (in)	Actual Length	Watts			
		LO	SO	MO	HO			LO	SO	MO	HO			LO	SO	MO	HO
12	–	–	–	–	–	47	46 9/16	14.3	22.6	27.5	47.9	82	–	–	–	–	–
13	–	–	–	–	–	48	–	–	–	–	–	83	82	22.6	38.4	47.6	78.5
14	–	–	–	–	–	49	48 9/16	14.7	23.3	28.5	49.4	84	84	22.8	39.3	48.8	79.4
15	–	–	–	–	–	50	–	–	–	–	–	85	–	–	–	–	–
16	–	–	–	–	–	51	50 8/16	15.3	24.1	29.6	51.3	86	85 15/16	23.1	40.1	49.9	80.3
17	–	–	–	–	–	52	–	–	–	–	–	87	–	–	–	–	–
18	–	–	–	–	–	53	52 8/16	15.8	25.0	30.7	53.2	88	87 15/16	23.3	41.0	51.0	81.2
19	–	–	–	–	–	54	–	–	–	–	–	89	–	–	–	–	–
20	–	–	–	–	–	55	54 7/16	16.4	25.9	31.9	55.2	90	89 14/16	23.5	41.9	52.1	82.0
21	–	–	–	–	–	56	–	–	–	–	–	91	–	–	–	–	–
22	–	–	–	–	–	57	56 7/16	17.0	26.8	33.1	57.0	92	91 14/16	24.0	42.9	53.4	82.7
23	–	–	–	–	–	58	–	–	–	–	–	93	–	–	–	–	–
24	–	–	–	–	–	59	58 6/16	17.5	27.7	34.3	58.7	94	93 13/16	24.6	43.8	54.7	83.3
25	24 15/16	7.4	11.7	14.5	26.3	60	–	–	–	–	–	95	–	–	–	–	–
26	–	–	–	–	–	61	60 6/16	18.1	28.6	35.5	60.5	96	95 13/16	25.2	44.8	56.0	84.0
27	26 14/16	8.0	12.9	15.7	28.5	62	–	–	–	–	–						
28	–	–	–	–	–	63	62 5/16	18.4	29.5	36.6	63.8						
29	28 14/16	8.7	14.0	17.0	30.6	64	–	–	–	–	–						
30	–	–	–	–	–	65	64 5/16	18.8	30.4	37.7	67.0						
31	30 13/16	9.4	15.2	18.2	32.6	66	–	–	–	–	–						
32	–	–	–	–	–	67	66 4/16	19.1	31.2	38.9	70.2						
33	32 13/16	10.0	16.1	19.2	34.7	68	–	–	–	–	–						
34	–	–	–	–	–	69	68 4/16	19.5	32.3	40.0	71.2						
35	34 12/16	10.7	17.0	20.3	36.7	70	–	–	–	–	–						
36	–	–	–	–	–	71	70 3/16	20.0	33.3	41.1	72.3						
37	36 12/16	11.3	17.9	21.4	38.7	72	–	–	–	–	–						
38	–	–	–	–	–	73	72 3/16	20.4	34.4	42.3	73.4						
39	38 11/16	11.9	18.9	22.7	40.5	74	–	–	–	–	–						
40	–	–	–	–	–	75	74 2/16	21.0	35.2	43.4	74.6						
41	40 11/16	12.5	19.9	23.9	42.2	76	–	–	–	–	–						
42	–	–	–	–	–	77	76 2/16	21.5	36.0	44.5	75.7						
43	42 10/16	13.1	20.8	25.1	44.1	78	–	–	–	–	–						
44	–	–	–	–	–	79	78 1/16	22.1	36.8	45.7	76.9						
45	44 10/16	13.7	21.7	26.3	46.0	80	–	–	–	–	–						
46	–	–	–	–	–	81	80 1/16	22.3	37.5	46.5	77.6						

Power Consumption

Tested at Full Power with PS-UNI Series power supplies.

Standard Nominal Lengths offered provide minimal shadowing. For alternate lengths, please consult Inside Sales with specific request.

High Efficacy (HE64)

Nominal Length (in)	Actual Length	Watts		Nominal Length (in)	Actual Length	Watts		Nominal Length (in)	Actual Length	Watts	
		VHO	XHO			VHO	XHO			VHO	XHO
12	–	–	–	47	46 12/16	58.2	68.4	82	81 9/16	91.5	95.4
13	–	–	–	48	–	–	–	83	–	–	–
14	–	–	–	49	48 4/16	60.1	70.0	84	83 1/16	92.1	96.2
15	–	–	–	50	49 12/16	62.0	71.7	85	84 9/16	92.7	97.0
16	–	–	–	51	–	–	–	86	–	–	–
17	–	–	–	52	51 4/16	63.8	73.5	87	86 2/16	93.3	96.8
18	–	–	–	53	52 13/16	65.6	75.3	88	87 10/16	94.0	96.5
19	–	–	–	54	–	–	–	89	–	–	–
20	–	–	–	55	54 5/16	67.4	77.1	90	89 2/16	94.6	96.3
21	–	–	–	56	55 13/16	69.6	78.7	91	90 10/16	95.2	96.0
22	–	–	–	57	–	–	–	92	–	–	–
23	–	–	–	58	57 5/16	71.2	79.7	93	92 2/16	95.8	0.0
24	–	–	–	59	58 13/16	72.8	80.7	94	93 11/16	96.4	0.0
25	24	29.5	37.6	60	–	–	–	95	–	–	–
26	25 8/16	31.4	40.2	61	60 6/16	74.4	81.7	96	95 3/16	96.9	0.0
27	–	–	–	62	61 14/16	75.6	82.5				
28	27 1/16	33.3	42.9	63	–	–	–				
29	28 9/16	35.2	45.5	64	63 6/16	76.8	83.4				
30	–	–	–	65	64 14/16	78.0	84.2				
31	30 1/16	37.2	48.2	66	–	–	–				
32	31 9/16	39.1	50.8	67	66 7/16	79.2	85.0				
33	–	–	–	68	67 15/16	80.3	86.2				
34	33 2/16	41.0	53.4	69	–	–	–				
35	34 10/16	42.9	55.9	70	69 7/16	81.3	87.5				
36	–	–	–	71	70 15/16	82.4	88.7				
37	36 2/16	44.9	58.5	72	–	–	–				
38	37 10/16	46.7	60.1	73	72 7/16	83.4	89.9				
39	–	–	–	74	74	85.1	90.9				
40	39 2/16	48.6	61.3	75	–	–	–				
41	40 11/16	50.4	62.6	76	75 8/16	86.8	91.9				
42	–	–	–	77	–	–	–				
43	42 3/16	52.3	63.8	78	77	88.5	92.8				
44	43 11/16	54.2	65.3	79	78 8/16	90.2	93.8				
45	–	–	–	80	–	–	–				
46	45 3/16	56.2	66.8	81	80 1/16	90.8	94.6				

Voltage Drop Calculator

The below chart assumes nominal voltage of 24 Volts and a Voltage Drop Allowance of 3% through the wire

Wattage [W]	Wire Length From Power Supply to Start of Run [ft]						
	12 AWG	14 AWG	16 AWG	18 AWG	20 AWG	22 AWG	24 AWG
5	1088.2	684.4	430.3	270.6	170.2	107.1	67.3
10	544.1	342.2	215.1	135.3	85.1	53.5	33.7
15	362.7	228.1	143.4	90.2	56.7	35.7	22.4
20	272.0	171.1	107.6	67.7	42.6	26.8	16.8
25	217.6	136.9	86.1	54.1	34.0	21.4	13.5
30	181.4	114.1	71.7	45.1	28.4	17.8	11.2
35	155.5	97.8	61.5	38.7	24.3	15.3	9.6
40	136.0	85.5	53.8	33.8	21.3	13.4	8.4
45	120.9	76.0	47.8	30.1	18.9	11.9	7.5
50	108.8	68.4	43.0	27.1	17.0	10.7	6.7
55	98.9	62.2	39.1	24.6	15.5	9.7	6.1
60	90.7	57.0	35.9	22.6	14.2	8.9	5.6
65	83.7	52.6	33.1	20.8	13.1	8.2	5.2
70	77.7	48.9	30.7	19.3	12.2	7.6	4.8
75	72.5	45.6	28.7	18.0	11.3	7.1	4.5
80	68.0	42.8	26.9	16.9	10.6	6.7	4.2
85	64.0	40.3	25.3	15.9	10.0	6.3	4.0
90	60.5	38.0	23.9	15.0	9.5	5.9	3.7
96	56.7	35.6	22.4	14.1	8.9	5.6	3.5

Power Supplies

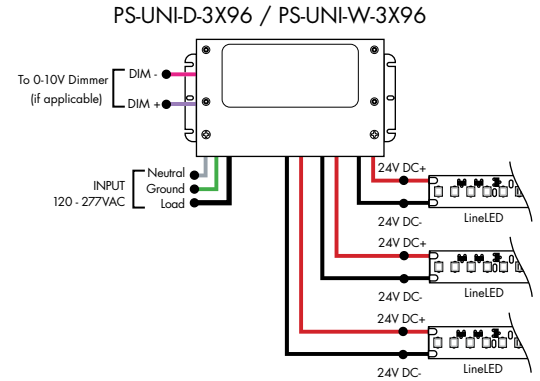
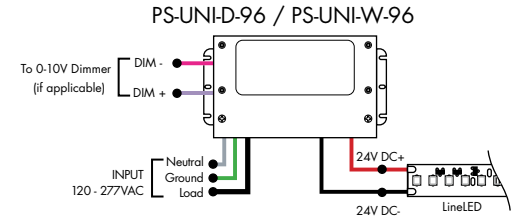
See Power Supply instructions and spec sheet for wiring information. For a complete list of compatible dimmers, see Compatible Dimming Chart on the Resources page.

Ordering Code Universal Dimming Power Supplies 1% 120VAC - 277VAC

MODEL	INPUT CONTROL	ENVIRONMENT	WATTAGE	OUTPUT
PS-Power Supply, 120-277VAC	UNI-0-10V Dimming, Phase Dimming	D-Dry W-Wet	30-30 Watts 60-60 Watts 96-96 Watts 3x96-3x96 Watts	24-24 VDC

Compatibility: View a complete list of compatible dimmers on product page [\(Link\)](#)

0-10V - 1% dimming
MLV/ELV/TRIAC - 1% dimming, consult dimming compatibility chart



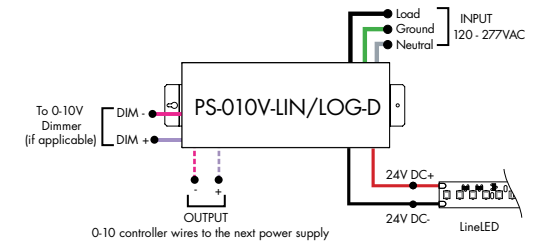
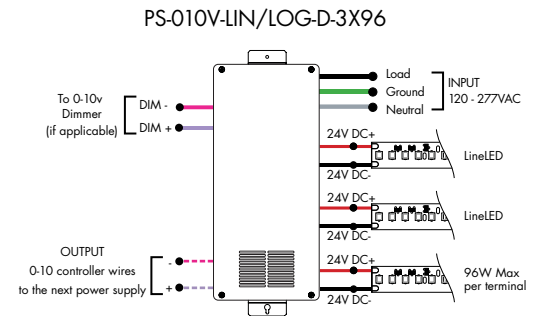
MODELS	PS-UNI-W-30W	PS-UNI-W-60W	PS-UNI-W-96W	PS-UNI-W-3X96W
Length	6.50"	7.40"	8.66"	11.85"
Width	3.73"	3.73"	3.73"	4.32"
Depth	1.61"	1.61"	1.61"	1.81"

MODELS	PS-UNI-D-30W	PS-UNI-D-60W	PS-UNI-D-96W	PS-UNI-D-3X96W
Length	8.77"	8.77"	8.11"	9.94"
Width	4.27"	4.27"	5.60"	7.61"
Depth	1.83"	1.83"	1.83"	2.02"

Ordering Code 0-10V Dimming Power Supplies 0.1% 120VAC - 277VAC

MODEL	INPUT CONTROL	ENVIRONMENT	WATTAGE	OUTPUT
PS-Power Supply, 120-277VAC	010V-LIN-0-10V Dimming (0.1%), Linear 010V-LOG-0-10V Dimming (0.1%), Logarithmic	D-Dry	96-96 Watts 3X96-3x96 Watts	24-24 VDC

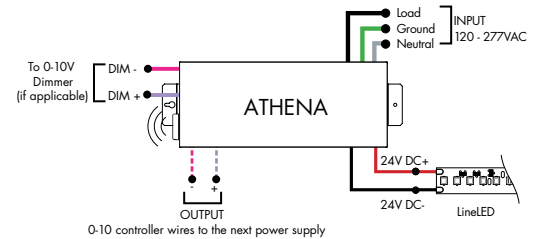
MODELS	96W	3X96
Length	14.40"	15.00"
Width	5.20"	6.62"
Depth	2.60"	4.45"



Athena 0-10V LED Driver

MODEL	INPUT CONTROL	ENVIRONMENT	WATTAGE	OUTPUT	FEATURE
PS-Power Supply, 120-277VAC	010V-LIN-0-10V Dimming, Linear 010V-LOG-0-10V Dimming, Logarithmic	D-Dry	96-96 W	24-24 VDC	AWNR-Athena

MODELS	96W
Length	14.40"
Width	5.20"
Depth	2.60"



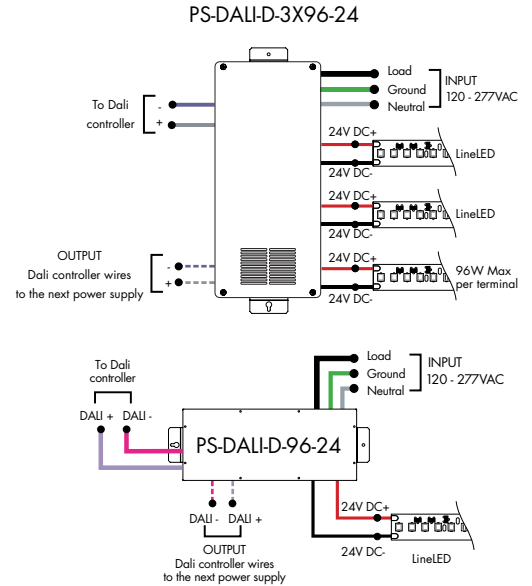
Power Supplies

See Power Supply instructions and spec sheet for wiring information. For a complete list of compatible dimmers, see Compatible Dimming Chart on the Resources page.

Ordering Code DALI Dimming Power Supplies 0.1% 120VAC - 277VAC

MODEL	INPUT CONTROL	ENVIRONMENT	WATTAGE	OUTPUT
PS-Power Supply, 120-277VAC	DALI-DALI (0.1%)	D-Dry	96-96 Watts 3X96-3X96 Watts	24-24 VDC

Model	96W	3X96
Length	14.40"	15.00"
Width	5.20"	6.62"
Depth	2.60"	4.56"

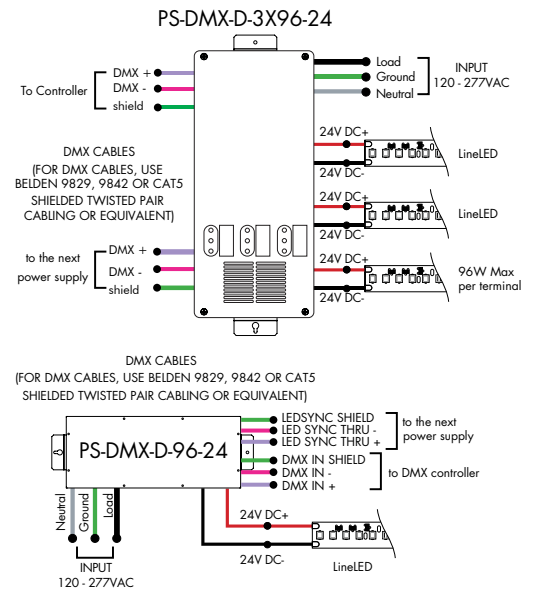


Ordering Code DMX Dimming Power Supplies 0.1% 120VAC - 277VAC Requires Zonal Control

MODEL	INPUT CONTROL	ENVIRONMENT	WATTAGE	OUTPUT
PS-Power Supply, 120-277VAC	DMX-DMX (0.1%)	D-Dry	96-96 Watts 3X96-3X96 Watts	24-24 VDC

*Zonal control power supplies. Control multiple tapes/zones using DMX channels.

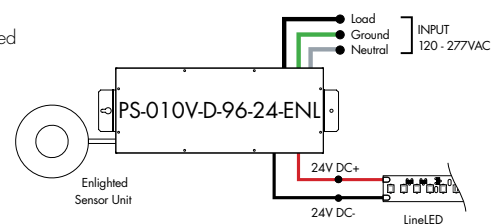
MODELS	96W	3X96
Length	14.40"	15.00"
Width	5.20"	6.62"
Depth	2.60"	4.56"



Ordering Code Enlightened Enabled Dimming Power Supplies 1% 120VAC - 277VAC

MODEL	INPUT CONTROL	ENVIRONMENT	WATTAGE	OUTPUT	FEATURE
PS-Power Supply, 120-277VAC	010V-0-10V Dimming (1%)	D-Dry	96-96 Watts	24-24 VDC	ENL-0-10V Enlightened

Model	96W
Length	14.40"
Width	5.20"
Depth	2.60"

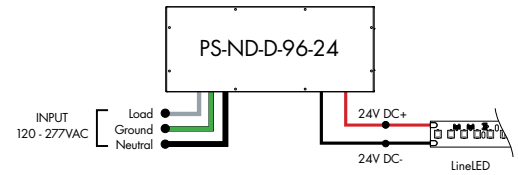


Power Supplies

See Power Supply instructions and spec sheet for wiring information. For a complete list of compatible dimmers, see Compatible Dimming Chart on the Resources page.

Ordering Code Non-Dimming Power Supply 120VAC - 277VAC

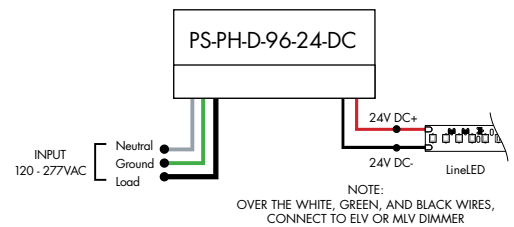
MODEL	INPUT CONTROL	ENVIRONMENT	WATTAGE	OUTPUT
PS - Power Supply, 120-277VAC	ND - Non Dimming	D - Dry	96-96 Watts	24 - 24 VDC



MODELS	96W
Length	14.40"
Width	5.20"
Depth	2.60"

Ordering Code Phase Dimming Power Supply 1% 120VAC - 277VAC

MODEL	INPUT CONTROL	ENVIRONMENT	WATTAGE	OUTPUT	OUTPUT CONTROL
PS - Power Supply, 120-277VAC	PH - Phase Dimming (Triac, ELV, MLV)	D - Dry	96-96 Watts	24-24 VDC	DC - Direct Current



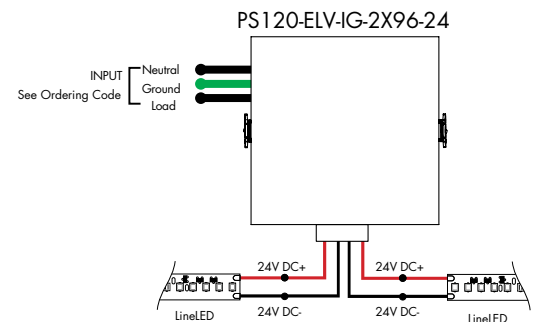
MLV/ELV/TRIAC - 1% dimming, consult dimming compatibility chart ([link](#))

MODELS	96W
Length	8.25"
Width	4.10"
Depth	1.56"

Ordering Code In-Ground Power Supplies

MODEL	INPUT CONTROL	ENVIRONMENT	WATTAGE	OUTPUT
PS120 - Power Supply, 120VAC PS240 - Power Supply, 240VAC PS277 - Power Supply, 277VAC	ELV - ELV Dimming (1%)	IG - In Ground	2X96-2X96 Watts	24-24 VDC

MODELS	2X96W
Length	8.40"
Width	8.30"
Depth	8.10"



Power Supplies

See Power Supply instructions and spec sheet for wiring information. For a complete list of compatible dimmers, see Compatible Dimming Chart on the Resources page.



Luminii is a Lutron OEM Advantage Partner

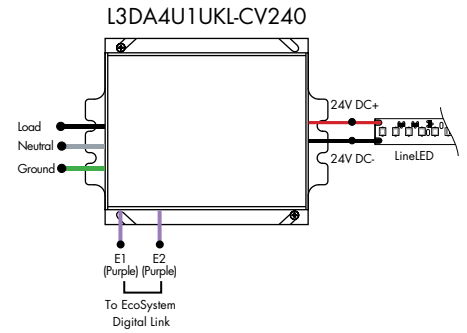
Lutron Power Supplies 1%

MODEL

L3DA4U1UKL-CV240

HiLume™ 1% EcoSystem Voltage LED driver
40W max

MODELS	L3DA4U1UKL-CV240
Length	4.98"
Width	4.00"
Depth	2.62"



Luminii is a Lutron OEM Advantage Partner

Lutron Power Supplies 0.1%

MODEL

L3D0-96W24V-U

HiLume™ 0.1% EcoSystem Voltage LED Driver with Soft-On, Fade-to-Black™
96W max

MODELS	L3D0
Length	10.50"
Width	5.50"
Depth	2.00"

