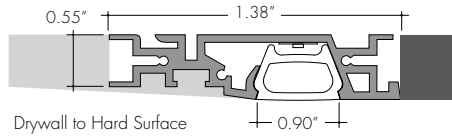
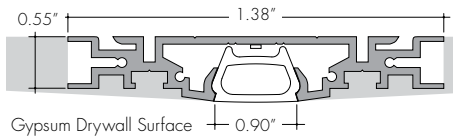


Gypsum Drywall Surface (Mud In)

Gypsum Drywall Surface (Mud In) to Hard Surface



Features

- Linii is a pre-drywall, direct-to-stud mud-in linear fixture that lets drywall butt cleanly to the extrusion instead of sitting behind it, creating a flatter, smoother finished wall or ceiling.
- Linii System is a turn-key solution for complex layouts and runs - coming with pre-welded corners for installation ease.
- Shipped as field configurable strip and channel
- Available with plenum rated wire leads or with integral junction box for splice connection
- Class 2 listed for damp locations
- Dot free even illumination
- Suitable for installation in the storage area of a clothes closet on outputs 5.7W/ft or less, NEC compliant for the USA only.
- Vibrant Color options offer premium color quality with R9 values up to 98
- High Efficacy options offer best in class output and efficacy with 660 lm/ft and up to 78 lm/W
- Average Life (L70): 50,000hrs
- 7 year warranty



Technical Information

TYPE	Vibrant Color VC72						
OUTPUT OPTIONS	VC72VLO	VC72LO	VC72SO	VC72MO	VC72HO	VC72VHO	VC72XHO
Lumens Output (3000K) (with a Frosted Lens)	62 lm/ft	157 lm/ft	209 lm/ft	277 lm/ft	334 lm/ft	445 lm/ft	531 lm/ft
Average Power Consumption (for a 4' section)	1.1 W/ft	2.8 W/ft	3.7 W/ft	4.9 W/ft	5.9 W/ft	7.9 W/ft	9.9 W/ft
Efficacy	56 lm/W	56 lm/W	56 lm/W	57 lm/W	57 lm/W	56 lm/W	54 lm/W
Max Run Length (in series)	56.9 ft	32 ft	28 ft	24 ft	21 ft	18 ft	12 ft
Ambient Operating Temperature Range*	-4°F - 122°F (-20°C - 50°C)						

* Ambient Operating Temperature Range to maintain L70 of 50k+ hours in normal mounting conditions for the fixture. Exceeding Ambient Operating Temperature Range may result in decreased life/output. Consult Technical Support for specific inquiries.

TYPE	High Efficacy HE64						
OUTPUT OPTIONS	HE64VLO	HE64LO	HE64SO	HE64MO	HE64HO	HE64VHO	HE64XHO
Lumens Output (3000K) (with a Frosted Lens)	68 lm/ft	148 lm/ft	212 lm/ft	281 lm/ft	400 lm/ft	548 lm/ft	660 lm/ft
Average Power Consumption (for a 4' section)	1 W/ft	1.9 W/ft	2.9 W/ft	3.8 W/ft	5.6 W/ft	7.1 W/ft	8.9 W/ft
Efficacy	68 lm/W	78 lm/W	73 lm/W	74 lm/W	71 lm/W	77 lm/W	74 lm/W
Max Run Length (in series)	90 ft	55 ft	34.9 ft	26 ft	17 ft	13 ft	10.3 ft
Ambient Operating Temperature Range*	-4°F - 122°F (-20°C - 50°C)						

* Ambient Operating Temperature Range to maintain L70 of 50k+ hours in normal mounting conditions for the fixture. Exceeding Ambient Operating Temperature Range may result in decreased life/output. Consult Technical Support for specific inquiries.

CCT	Multiplier (ref. - 30K)	TM-30			
		CRI	R _f	R _g	R ₉
1800K	0.50	95	94	99	86
2200K	0.66	96	94	101	95
2400K	0.90	98	96	101	91
2700K	0.93	98	96	102	93
3000K	1.00	97	94	104	99
3500K	1.04	96	94	105	97
4100K	1.05	97	95	104	96

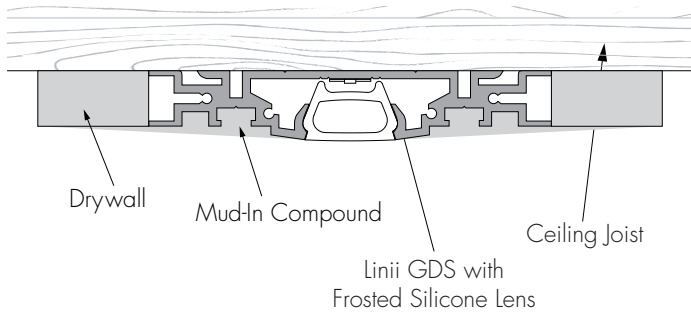
CCT	Multiplier (ref. - 30K)	High Efficacy (HE64)			
		CRI	R _f	R _g	R ₉
2200K	0.74	94	91	96	65
2400K	0.87	94	92	97	56
2700K	0.97	94	92	100	57
3000K	1.00	93	91	99	54
3500K	1.01	95	91	99	62
4000K	1.04	95	91	99	68

Ordering Code

MODEL	SHAPE	LENGTH ¹	OUTPUT ²	CCT	LENS	MOUNTING	FINISH
Linii-Linii System	STR - Straight Run CMLX - Complex Shape	Overall System Length in Inches (1/16) EX: 1249.0625	VC72VLO - Very Low VC72LO - Low VC72SO - Standard VC72MO - Medium VC72HO - High VC72VHO - Very High	18K-1800K 22K-2200K 24K-2400K 27K-2700K 30K-3000K 35K-3500K 41K-4100K	FS - Frosted Silicone Lens F - Frosted Lens	GDS - Gypsum Drywall Surface DHS - Drywall to Hard Surface	MILL - Mill Finish
	UIC - U-Shape, Inside Corner UOC - U-Shape, Outside Corner UFC - U-Shape, Flat Corner	Leg 1 X Leg 2 X Leg 3 in Inches (1/16) EX: 115.0625 X 13.50 X 235.125					
	LIC - L-Shape, Inside Corner LOC - L-Shape, Outside Corner LFC - L-Shape, Flat Corner RECIC - Rectangle, Inside Corner RECO - Rectangle, Outside Corner RECFC - Rectangle, Flat Corner	Leg 1 X Leg 2 in Inches (1/16) EX: 115.0625 X 13.50		HE64VLO - Very Low HE64LO - Low HE64SO - Standard HE64MO - Medium HE64HO - High HE64VHO - Very High	22K-2200K 24K-2400K 27K-2700K 30K-3000K 35K-3500K 40K-4000K		

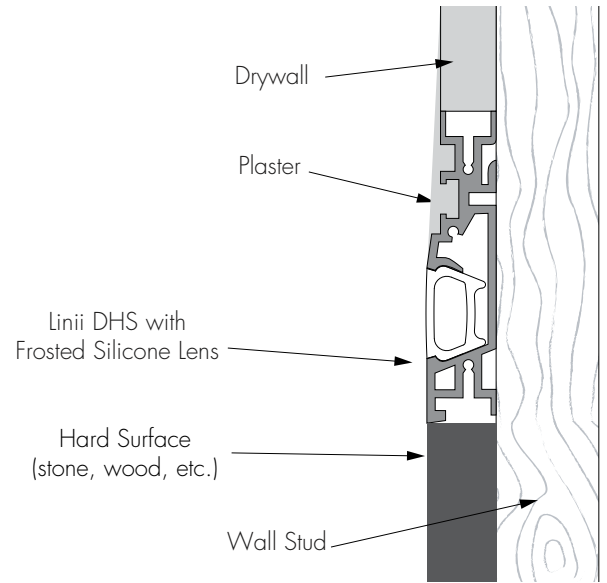
1 - Length written in decimal format to the closest sixteenth of an inch.
2 - Title 24 JAS achievable depending on Output, CCT, and Lens selections. See multiplier charts to calculate specific efficacies.

Applications



Direct view recessed (Ceiling)

Fixture mounted next to 5/8" or thicker ceiling drywall. If mounted between joists, wood blocking may be required.

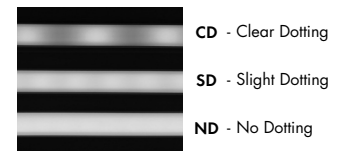


Direct view recessed (Wall)

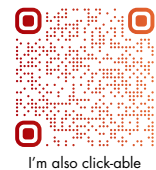
Fixture mounted either vertically or horizontally along 5/8" or thicker drywall. If mounted vertically between studs, wood blocking may be required.

Light Transmission and Dotting

Output Options	Lens/Accessory							
	Frosted Lens				Frosted Silicone Lens			
Dimming Level	100%	50%	10%	1%	100%	50%	10%	1%
VC72VLO	ND	ND	ND	ND	ND	ND	ND	ND
VC72LO	ND	ND	ND	ND	ND	ND	ND	ND
VC72SO	ND	ND	ND	ND	ND	ND	ND	ND
VC72MO	ND	ND	ND	ND	ND	ND	ND	ND
VC72HO	ND	ND	ND	ND	ND	ND	ND	ND
VC72VHO	ND	ND	ND	ND	ND	ND	ND	ND
VC72XHO	ND	ND	ND	ND	ND	ND	ND	ND
HE64VLO	ND	ND	ND	ND	ND	ND	ND	ND
HE64LO	ND	ND	ND	ND	ND	ND	ND	ND
HE64SO	ND	ND	ND	ND	ND	ND	ND	ND
HE64MO	ND	ND	ND	ND	ND	ND	ND	ND
HE64HO	ND	ND	ND	ND	ND	ND	ND	ND
HE64VHO	ND	ND	ND	ND	ND	ND	ND	ND
HE64XHO	ND	ND	ND	ND	ND	ND	ND	ND
Transmission Percentage	100%				113%			



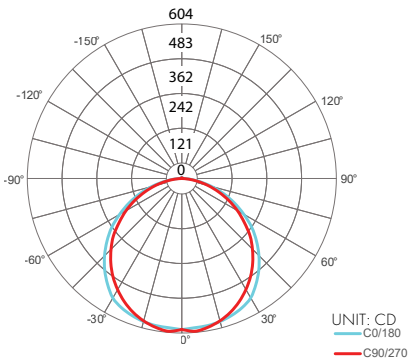
Use complete Dotting Chart Tool online for more dotting information



Photometry

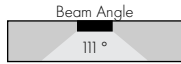
LIN-48-VC72VHO-30K-F

Linii, 4ft, VHO, 3000K, Frosted Lens



Zonal Lumen Summary 3000K

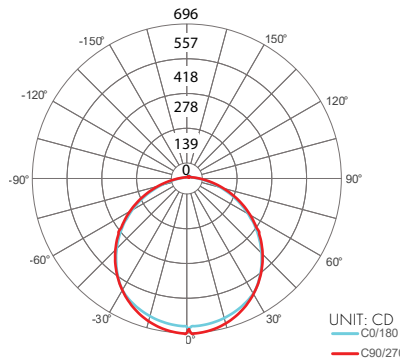
Zone	Lumen	% Fixture
0-30	116	26%
0-40	192	43%
0-60	345	77%
0-90	441	99%
Total	0-180	100%



UNIT: CD
 — C0/180
 — C90/270

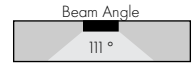
LIN-48-VC72VHO-30K-FS

Linii, 4ft, VHO, 3000K, Frosted Silicon Lens

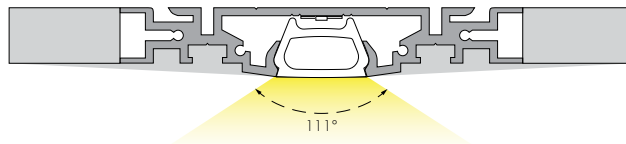


Zonal Lumen Summary 3000K

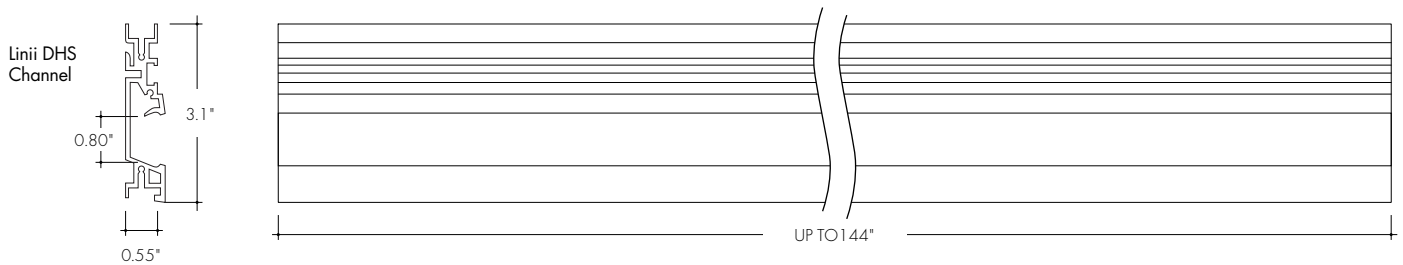
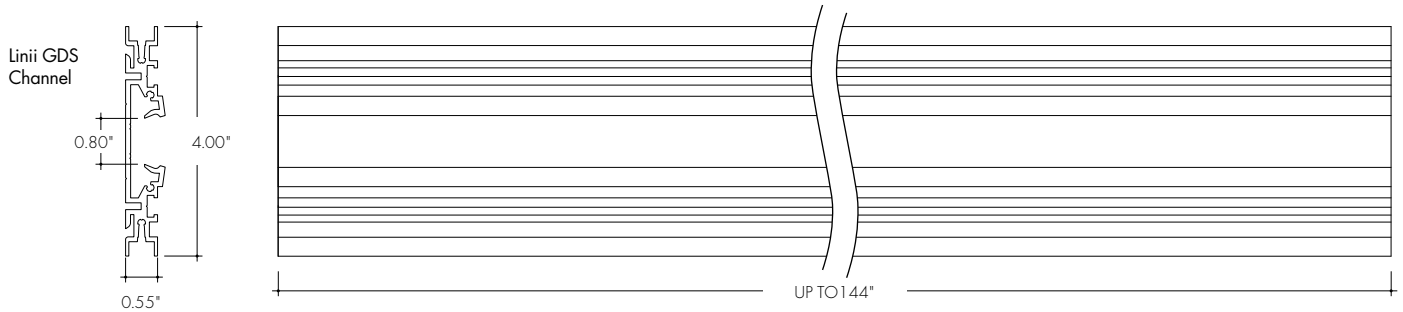
Zone	Lumen	% Fixture
0-30	133	27%
0-40	219	44%
0-60	390	78%
0-90	495	99%
Total	0-180	100%



UNIT: CD
 — C0/180
 — C90/270

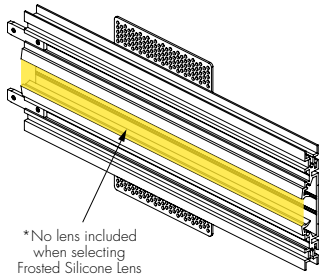


Product Dimensions



Linii GDS System - What's Included

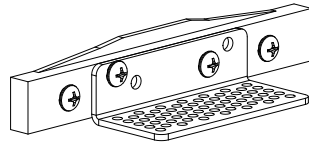
A - Linii GDS Straight Extrusion



*No lens included when selecting Frosted Silicone Lens

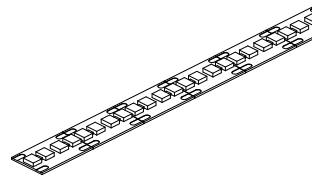
Included with Linii GDS System, the Linii Straight extrusion is the main architectural housing for the majority of the system run. It includes LED Strip, drywall mounting brackets, and mounting screws. Provided in lengths of 48"/96"/144" long.
 Note: if selected F lens option in ordering code, lens will be included

B - Linii GDS Endcap



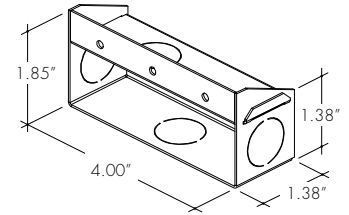
Included with the Linii GDS System, end caps attach directly to the Linii Straight Extrusion

C - LineLED



Included with Linii System, the LineLED will be split into runs based on system layout and max run length of the LED strip. By default, the LineLED will come with soldered leads (SL) on end and no connector (NC) on the other. Additional configurations available upon request.

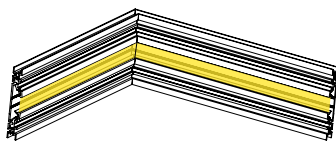
D - Linii Junction Box



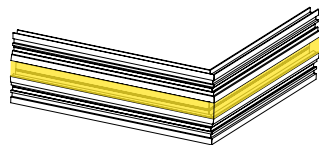
Included with the Linii System, the Linii Junction Box includes screws necessary to directly attach to the Linii GDS Straight Extrusion

E - Linii Corner

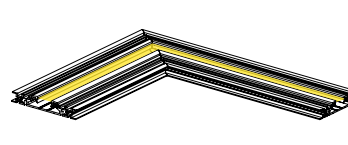
Based on ordered Run



Linii GDS Inside Corner



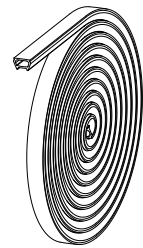
Linii GDS Outside Corner



Linii GDS Flat Corner

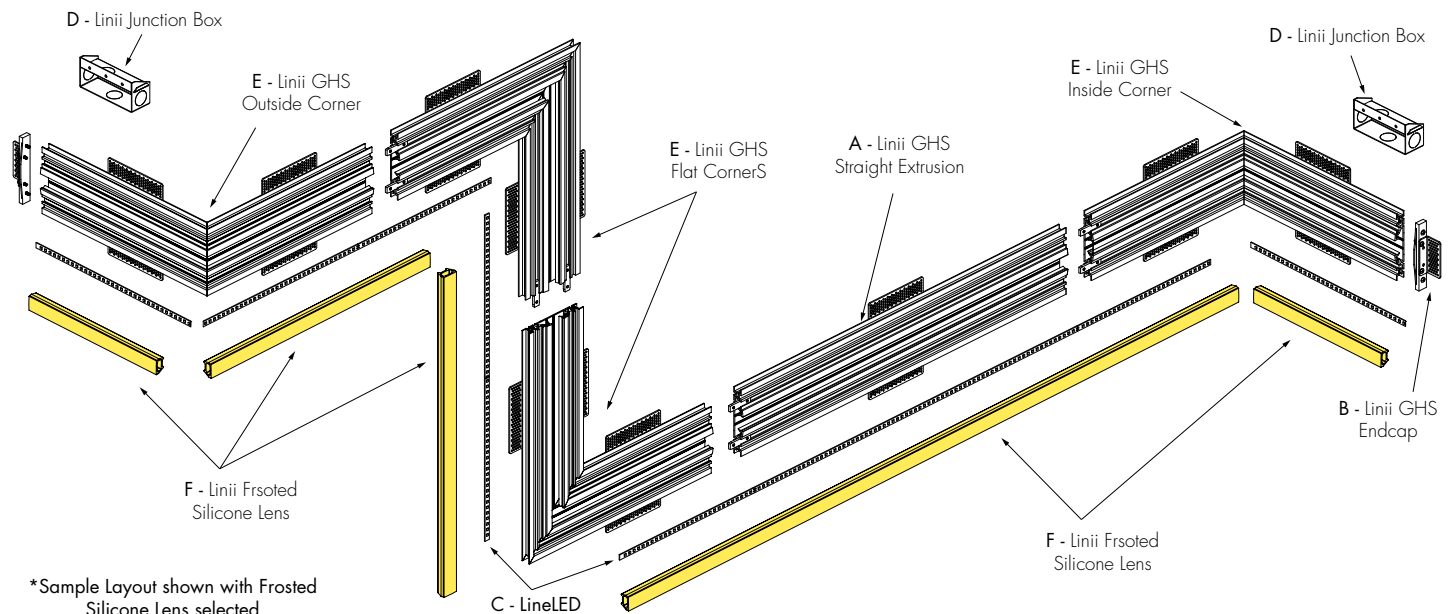
Includes two welded Linii extrusion pieces, drywall mounting brackets, and a pair of joiners. Corners are nominally 12" x 12".

F - Frosted Silicone Lens Roll



Only included if selected FS lens option in ordering code. Comes in a continuous roll up to 160ft. If system is longer than 160ft, multiple rolls will be provided

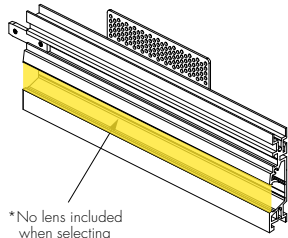
Linii System - Sample Run



*Sample Layout shown with Frosted Silicone Lens selected

Linii DHS System - What's Included

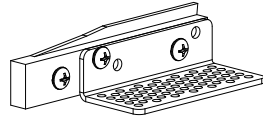
A - Linii DHS Straight Extrusion



*No lens included when selecting Frosted Silicone Lens

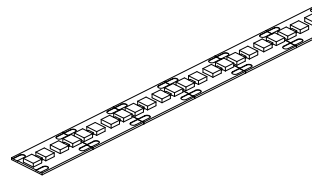
Included with Linii DHS System, the Linii Straight extrusion is the main architectural housing for the majority of the system run. It includes LED Strip, drywall mounting brackets, and mounting screws. Provided in lengths of 48"/96"/144" long.
Note: if selected F lens option in ordering code, lens will be included

B - Linii GDS Endcap



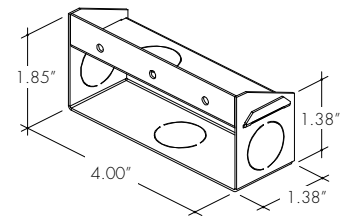
Included with the Linii DHS System, end caps attach directly to the Linii Straight Extrusion

C - LineLED



Included with Linii System, the LineLED will be split into runs based on system layout and max run length of the LED strip. By default, the LineLED will come with soldered leads (SL) on end and no connector (NC) on the other. Additional configurations available upon request.

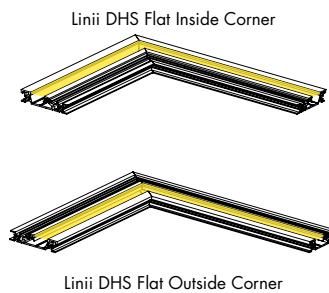
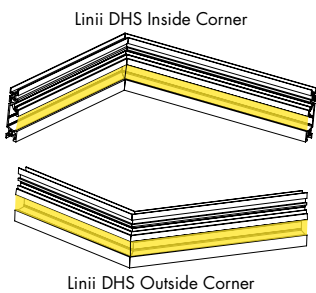
D - Linii Junction Box



Included with the Linii System, the Linii Junction Box includes screws necessary to directly attach to the Linii DHS Straight Extrusion

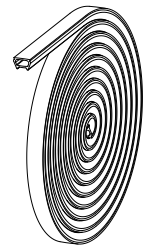
E - Linii Corner

Based on ordered Run



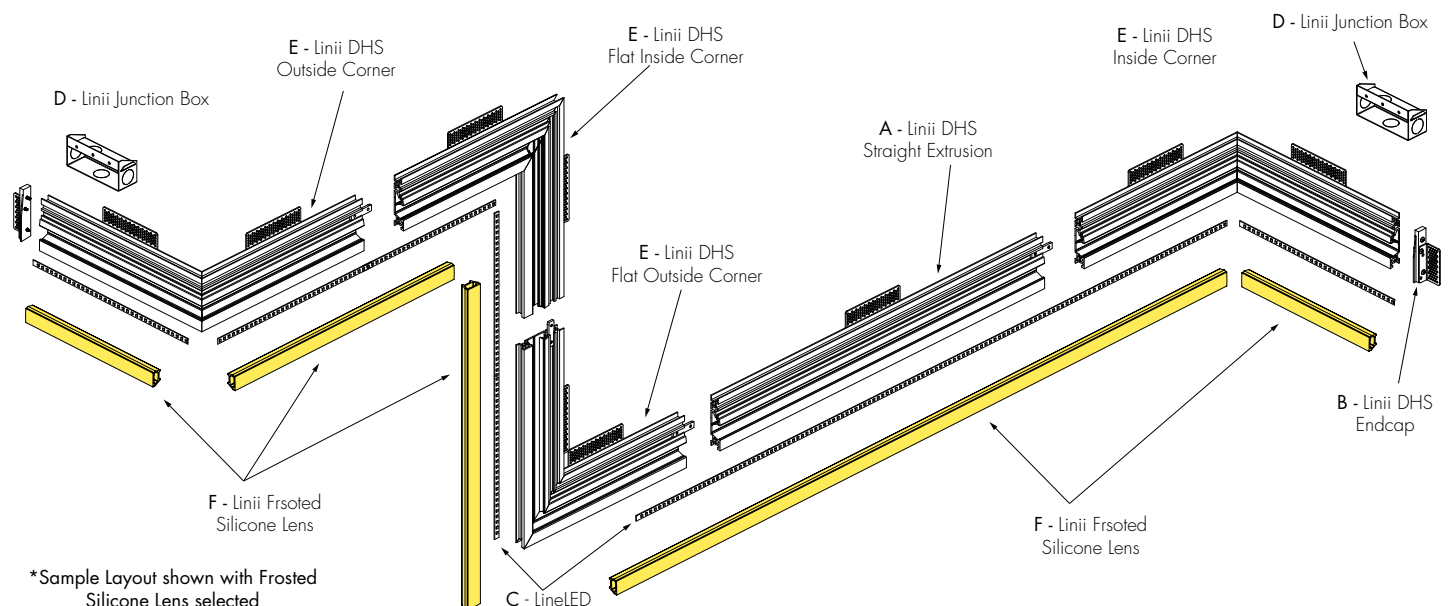
Includes two welded Linii extrusion pieces, drywall mounting brackets, and a pair of joiners. Corners are nominally 12" x 12".

F - Frosted Silicone Lens Roll



Only included if selected FS lens option in ordering code. Comes in a continuous roll up to 160ft. If system is longer than 160ft, multiple rolls will be provided

Linii System - Sample Run



*Sample Layout shown with Frosted Silicone Lens selected

Power Consumption

Please visit the link/QR code below to access the Luminii Power Consumption Chart tool on our website.

There you will be able to select your fixture, output, and desired power feed to get a full power consumption table.



I'm also click-able

Desired Nominal Length: _____

Desired Output: _____

Desired CCT: _____

Voltage Drop Calculator

The below chart assumes nominal voltage of 24 Volts and a Voltage Drop Allowance of 3% through the wire

Wattage [W]	Wire Length From Power Supply to Start of Run [ft]						
	12 AWG	14 AWG	16 AWG	18 AWG	20 AWG	22 AWG	24 AWG
5	1088.2	684.4	430.3	270.6	170.2	107.1	67.3
10	544.1	342.2	215.1	135.3	85.1	53.5	33.7
15	362.7	228.1	143.4	90.2	56.7	35.7	22.4
20	272.0	171.1	107.6	67.7	42.6	26.8	16.8
25	217.6	136.9	86.1	54.1	34.0	21.4	13.5
30	181.4	114.1	71.7	45.1	28.4	17.8	11.2
35	155.5	97.8	61.5	38.7	24.3	15.3	9.6
40	136.0	85.5	53.8	33.8	21.3	13.4	8.4
45	120.9	76.0	47.8	30.1	18.9	11.9	7.5
50	108.8	68.4	43.0	27.1	17.0	10.7	6.7
55	98.9	62.2	39.1	24.6	15.5	9.7	6.1
60	90.7	57.0	35.9	22.6	14.2	8.9	5.6
65	83.7	52.6	33.1	20.8	13.1	8.2	5.2
70	77.7	48.9	30.7	19.3	12.2	7.6	4.8
75	72.5	45.6	28.7	18.0	11.3	7.1	4.5
80	68.0	42.8	26.9	16.9	10.6	6.7	4.2
85	64.0	40.3	25.3	15.9	10.0	6.3	4.0
90	60.5	38.0	23.9	15.0	9.5	5.9	3.7
96	56.7	35.6	22.4	14.1	8.9	5.6	3.5

Power Supplies

See Power Supply instructions and spec sheet for wiring information. For a complete list of compatible dimmers, see Compatible Dimming Chart on the Resources page.

For use with Static White

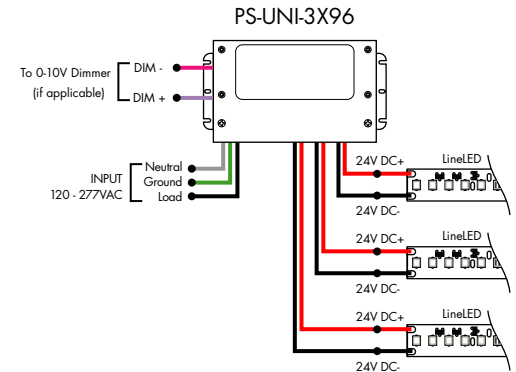
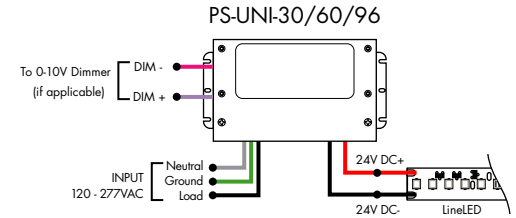
Ordering Code - Universal Dimming Power Supplies 0.1% 120VAC - 277VAC

MODEL	INPUT CONTROL	WATTAGE	OUTPUT
PS-Power Supply, 120-277VAC	UNI - 0-10V Dimming (0.1%), Phase Dimming (0.1%)	30 - 30 Watts 60 - 60 Watts 96 - 96 Watts 3x96 - 3x96 Watts	24 - 24 VDC

Compatibility: View a complete list of compatible dimmers on the PS-UNI product page.

0-10V - 0.1% dimming
MLV/ELV/TRIAC - 0.1% dimming, consult dimming compatibility chart

MODELS	PS-UNI-30W	PS-UNI-60W	PS-UNI-96W	PS-UNI-3X96W
Length	6.50"	7.40"	8.66"	11.85"
Width	3.73"	3.73"	3.73"	4.32"
Depth	1.61"	1.61"	1.61"	1.81"

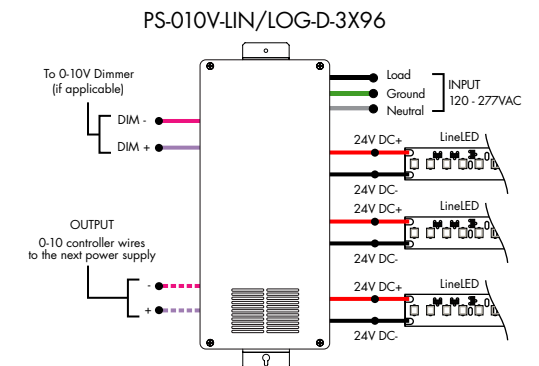
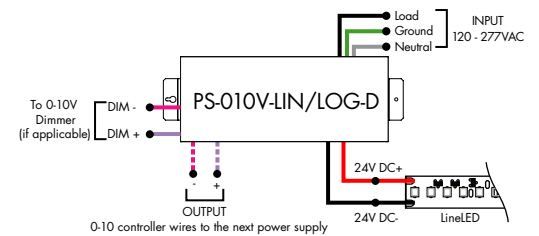


For use with Static White

Ordering Code - 0-10V Dimming Power Supplies 0.1% 120VAC - 277VAC

MODEL	INPUT CONTROL	ENVIRONMENT	WATTAGE	OUTPUT
PS-Power Supply, 120-277VAC	010V-LIN-0-10V Dimming (0.1%), Linear 010V-LOG-0-10V Dimming (0.1%), Logarithmic	D-Dry	96 - 96 Watts 3x96 - 3x96 Watts	24 - 24 VDC

MODELS	96W	3X96
Length	14.40"	15.00"
Width	5.20"	6.62"
Depth	2.60"	4.45"



Power Supplies

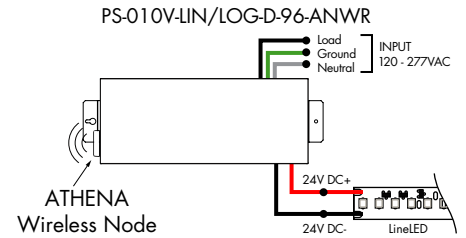
See Power Supply instructions and spec sheet for wiring information. For a complete list of compatible dimmers, see Compatible Dimming Chart on the Resources page.

For use with Static White

Ordering Code - Athena 0-10V LED Driver

MODEL	INPUT CONTROL	ENVIRONMENT	WATTAGE	OUTPUT	FEATURE
PS-Power Supply, 120-277VAC	010V-LIN-0-10V Dimming (0.1%), Linear 010V-LOG-0-10V Dimming (0.1%), Logarithmic	D-Dry	96-96 Watts	24-24 VDC	AWNR-Athena Wireless Node

MODELS	96W
Length	14.40"
Width	5.20"
Depth	2.60"

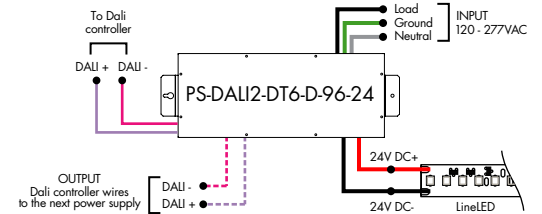


For use with Static White

Ordering Code - DALI 2 Dimming Power Supplies 0.1% 120VAC - 277VAC

MODEL	INPUT CONTROL	ENVIRONMENT	WATTAGE	OUTPUT
PS-Power Supply, 120-277VAC	DALI2-DT6-DALI2 DT6 (0.1%)	D-Dry	96-96 Watts	24-24 VDC

Model	96W
Length	14.40"
Width	5.20"
Depth	2.60"

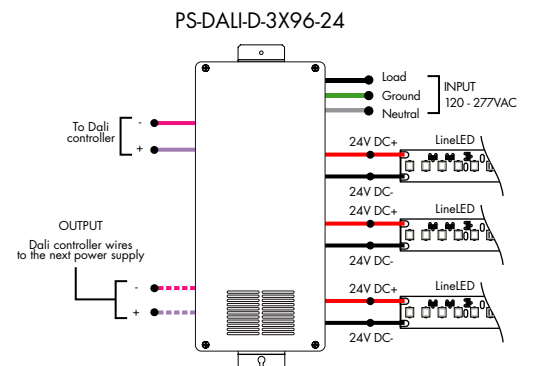
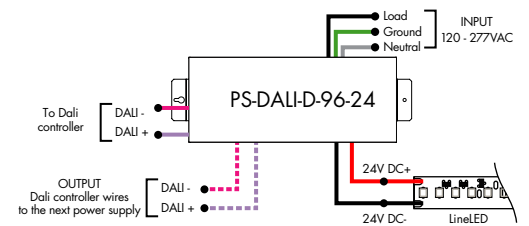


For use with Static White

Ordering Code - DALI Dimming Power Supplies 0.1% 120VAC - 277VAC

MODEL	INPUT CONTROL	ENVIRONMENT	WATTAGE	OUTPUT
PS-Power Supply, 120-277VAC	DALI-DALI (0.1%)	D-Dry	96-96 Watts 3x96-3x96 Watts	24-24 VDC

Model	96W	3X96
Length	14.40"	15.00"
Width	5.20"	6.62"
Depth	2.60"	4.56"



Power Supplies

See Power Supply instructions and spec sheet for wiring information. For a complete list of compatible dimmers, see Compatible Dimming Chart on the Resources page.

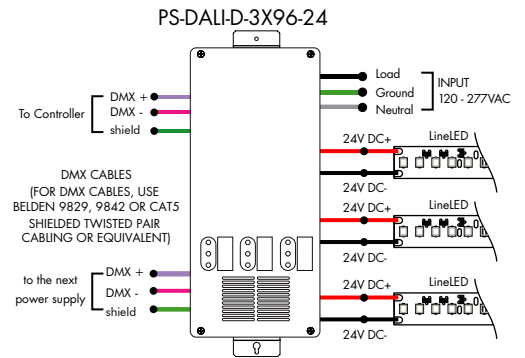
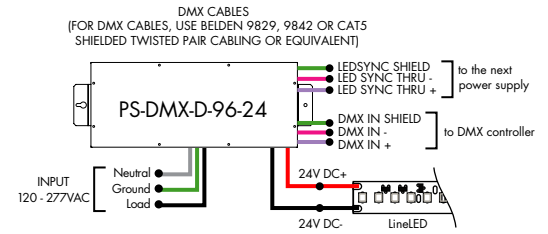
For use with Static White

Ordering Code - DMX Dimming Power Supplies 0.1% 120VAC - 277VAC

MODEL	INPUT CONTROL	ENVIRONMENT	WATTAGE	OUTPUT
PS - Power Supply, 120-277VAC	DMX - DMX (0.1%)	D - Dry	96 - 96 Watts 3x96 - 3x96 Watts	24 - 24 VDC

MODELS	96W	3X96
Length	14.40"	15.00"
Width	5.20"	6.62"
Depth	2.60"	4.56"

ZONAL CONTROL POWER SUPPLIES.
CONTROL MULTIPLE TAPES/ZONES USING DMX CHANNELS.

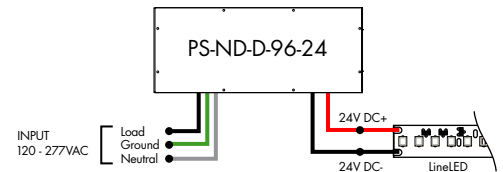


For use with Static White

Ordering Code - Non-Dimming Power Supply, 120VAC - 277VAC

MODEL	INPUT CONTROL	ENVIRONMENT	WATTAGE	OUTPUT
PS - Power Supply, 120-277VAC	ND - Non Dimming	D - Dry	96 - 96 Watts	24 - 24 VDC

MODELS	96W
Length	14.40"
Width	5.20"
Depth	2.60"

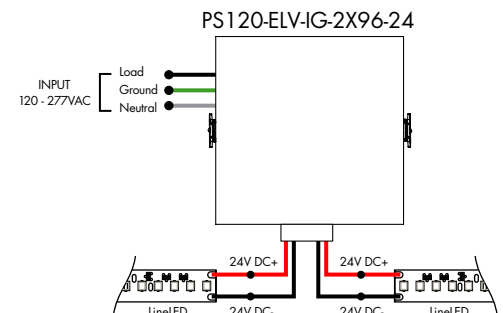


For use with Static White

Ordering Code - In-Ground Power Supplies

MODEL	INPUT CONTROL	ENVIRONMENT	WATTAGE	OUTPUT
PS120 - Power Supply, 120VAC PS240 - Power Supply, 240VAC PS277 - Power Supply, 277VAC	ELV - ELV Dimming (1%)	IG - In Ground	2X96 - 2X96 Watts	24 - 24 VDC

MODELS	2X96W
Length	8.40"
Width	8.30"
Depth	8.10"



Power Supplies

See Power Supply instructions and spec sheet for wiring information. For a complete list of compatible dimmers, see Compatible Dimming Chart on the Resources page.



Luminii is a Lutron OEM Advantage Partner

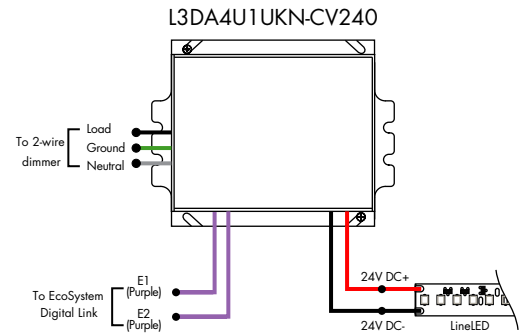
Lutron Power Supplies 1%

MODEL

L3DA4U1UKL-CV240

HiLume™ 1% EcoSystem Voltage LED driver 40W max

MODELS	L3DA4U1UKL-CV240
Length	4.98"
Width	4.00"
Depth	2.62"



Luminii is a Lutron OEM Advantage Partner

Lutron Power Supplies 0.1%

MODEL

L3D0-96W24V-U

HiLume™ 0.1% EcoSystem Voltage LED Driver with Soft-On, Fade-to-Black™ 96W max

MODELS	L3D0
Length	10.50"
Width	5.50"
Depth	2.00"

