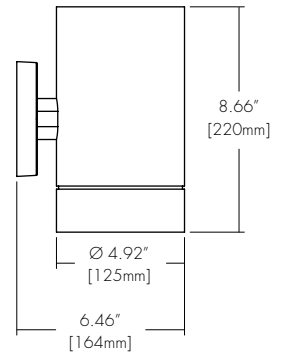


LETO 11

WALL MOUNT UP/DOWN LED CYLINDER



Features

- Faceted and Smooth metal reflectors provide beam spreads between 10° to 80°.
- Nine drivers selections available to cover wide range of applications.
- Two output options available up to 1000 lumens.
- Five year warranty.

Finish Options

- White
- Black
- Silver
- Mocha
- Charcoal
- Cerulean
- Firebrick



Technical Information

	OUTPUT OPTIONS	700 lm	1000 lm
DOWN	Fixture wattage	6.1 W	9.1 W
	Delivered Lumen at 3500K	656 lm	1035 lm
	Efficacy	108 lm/W	114 lm/W
	Center Beam Candlepower (10° Faceted Reflector)	5474 cd	8636 cd
UP	Fixture wattage	6.1 W	9.1 W
	Delivered Lumen at 3500K	614 lm	857 lm
	Efficacy	101 lm/W	94 lm/W

CCT	Multiplier	CRI	TM-30		
			R _f	R _g	R ₉
2500K	0.81	92	90	104	77
2700K	0.92	92	91	102	61
3000K	0.97	95	92	102	61
3500K	1.00	95	93	101	72
4000K	1.07	95	92	103	68
6500K	1.05	96	91	100	89

Integral Driver Example: Fixture LET11-WM-0707-25K-F10F17-CL-WH-WH-PHSD-NA
 Remote Driver Example: Fixture LET11-WM-0707-25K-F10F17-CL-WH-WH-010L-NA
 HRM-LET11-WM-0707-25K-010L-NA

Ordering Code

MODEL	TYPE	OUTPUT	CCT	OPTIC	OPTIC UP	ACCESSORY	BODY FINISH	BAFFLE FINISH
LET11-Leto 11	WM-Wall Mount	0707-700 lumens Down, 700 lumens up 1010-1000 lumens Down, 1000 lumens up	25K-2500K 27K-2700K 30K-3000K 35K-3500K 40K-4000K 65K-6500K	F10-10 Degree, Faceted F18-18 Degree, Faceted F30-30 Degree, Faceted F45-45 Degree, Faceted F60-60 Degree, Faceted S30-30 Degree, Smooth S45-45 Degree, Smooth S80-80 Degree, Smooth	F17-17 Degree, Faceted F24-24 Degree, Faceted F60-60 Degree, Faceted	NA- No Accessory CL- Clear Lens DL- Diffusing Lens HC- Honeycomb Louver SL- Solite Lens	Standard WH- White BK- Black SL- Silver Premium ¹ MA- Mocha CC- Charcoal CR- Cerulean FB- Firebrick	Standard WH- White BK- Black SL- Silver Premium ¹ MA- Mocha CC- Charcoal CR- Cerulean FB- Firebrick
DRIVER ²				DRIVER OPTIONS ⁴				

PHSD- Forward/Reverse Phase, 1% Dimming, 120V Only
 010S- 0-10V, 1% Dimming, 120/277V
 0103- 0-10V, 1% Dimming, 347V Only
 010L- EldoLED, 0-10V, Linear, 0.1% Dimming, 120/277V
 010G- EldoLED, 0-10V, Log, 0.1% Dimming, 120/277V
 DALI- EldoLED, DALI Protocol 2, DT-6, 0.1% Dimming, 120/277V
 DALI8- EldoLED, DALI Protocol 2, DT-8, 0.1% Dimming, 120/277V
 LUTE- Lutron Hilume Ecodigital, 1% Dimming, 120V/277V
 DMX- EldoLED, DMX, 0.1% Dimming, 120V/277V

NA- None
 EMG- Emergency Driver³

1 - Premium finishes may have extended lead times. Custom RALs are available, please consult Inside Sales with specific request
 2 - All drivers remote except PHSD/010S driver options
 3 - Emergency option comes prewired from factory with driver in remote housing. 8W of continuous power provided for a minimum of 90 minutes. Must be installed within 30 feet of luminaire using 18 AWG wire. Not available with 0103, DMX, DALI8 or LUTE Driver.
 4 - AWWNR/CSMB available upon request, contact Senso for details.

CONTACT FACTORY FOR MORE OPTIONS.

Lens & Accessory Options

OPTC-ACC-CL-94MM

Clear Lens

Also available with complete fixture, use ordering code.

-CL



Light Loss Factor: 100%*

OPTC-ACC-DL-94MM

Diffusing Lens

Also available with complete fixture, use ordering code.

-DL



Light Loss Factor: 87%*

OPTC-ACC-HC-94MM

Honeycomb Lens

Also available with complete fixture, use ordering code.

-HC



Light Loss Factor: 45%*

OPTC-ACC-SL-94MM

Solite Lens

Also available with complete fixture, use ordering code.

-SL



Light Loss Factor: 92%*

*Light Loss Factor calculated with 60° faceted reflector.

Optics

RFLC-FXX-94MM

Faceted Reflector

Also available with complete fixture, use ordering code.

-F10/-F18/-F30/-F45/-F60



RFLC-SXX-94MM

Smooth Reflector

Also available with complete fixture, use ordering code.

-S30/-S45/-S60



FXX	Optic
F10	10° Faceted
F18	18° Faceted
F30	30° Faceted
F45	45° Faceted
F60	60° Faceted
S30	30° Smooth
S45	45° Smooth
S60	60° Smooth

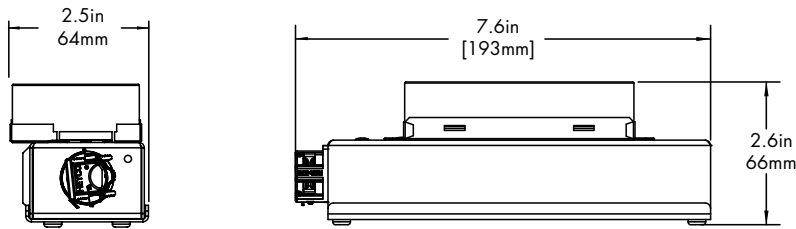
Remote Driver Housing

Depending on the options selected in the order code on page 1, a Remote Driver Housing may be required. This will automatically be generated and put on your order as necessary.

REMOTE DRIVER	MODEL	OUTPUT	CCT	DRIVER	DRIVER OPTIONS
HRM-Housing, Remote	LET11-WM-letto 11 Wall Mount	Same as Fixture	Same as Fixture	Same as Fixture	Same as Fixture

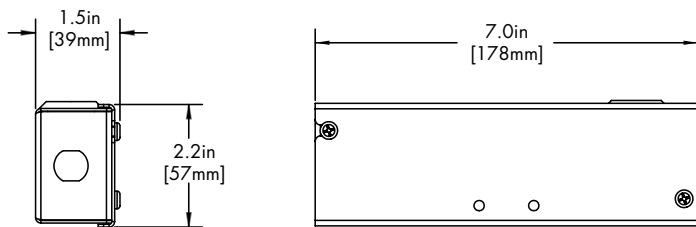
Maximum mounting distance to luminaire using 18 AWG wire						
010S	PHSD	010L	010G	DALI DALI8	DMX	LUTE
16'	16'	72'	72'	72'	149'	15'

HRM Single with Externally Mounted Driver



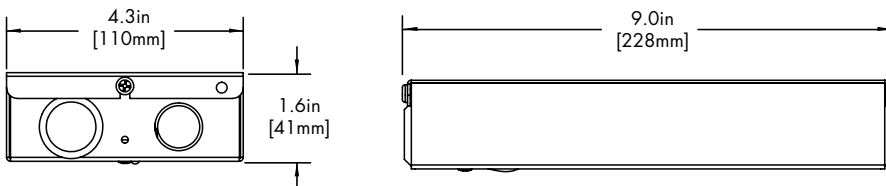
Driver
010L or 010G
010S
010L or 010G or 010S
DALI or LUTE

HRM Single



Driver
PHSD

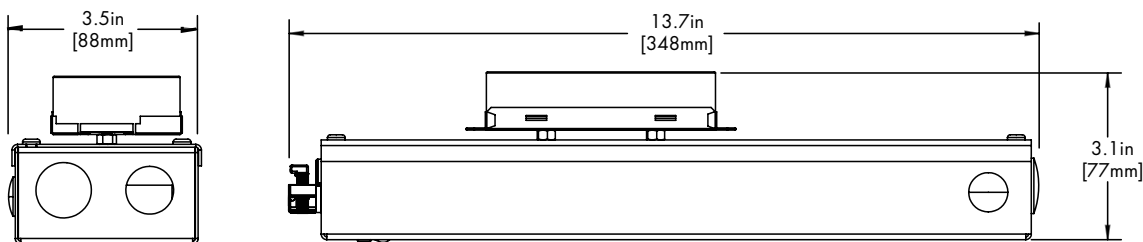
HRM Double



Driver
DALI8
DMX

EMG Emergency Driver

120 minute EMG operation time.



Driver
EMG

Standard Finishes

BK
Black



WH
White



SL
Silver



Premium Finishes

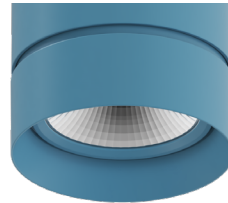
MA
Mocha



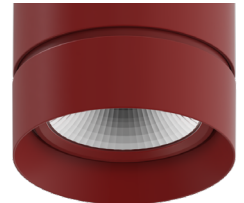
CC
Charcoal



CR
Cerulean

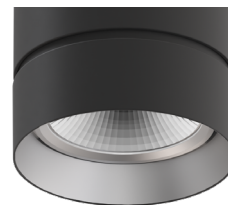
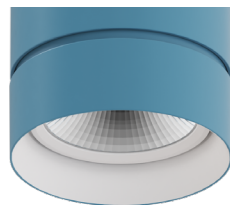
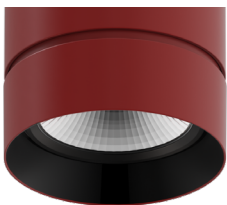


FB
Firebrick



Two Tone Baffle

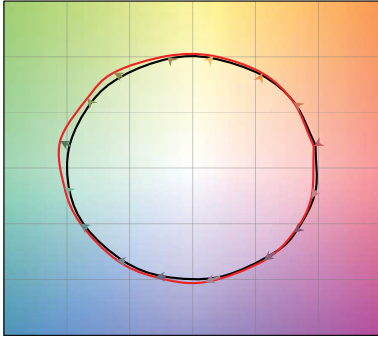
Inside finish refers to Baffle Finish selection from page 1. Any combination may be used for baffle and body finishes.



TM-30

2500K

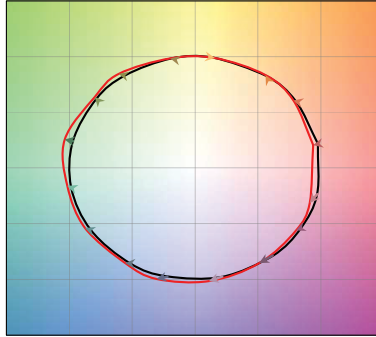
COLOR VECTOR GRAPHIC



— Reference Source — Test Source

2700K

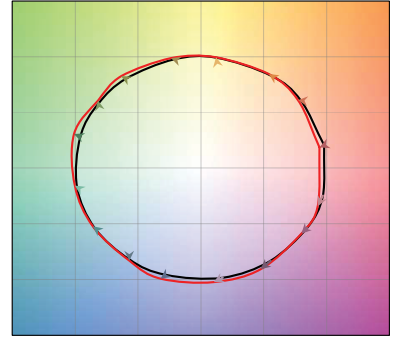
COLOR VECTOR GRAPHIC



— Reference Source — Test Source

3000K

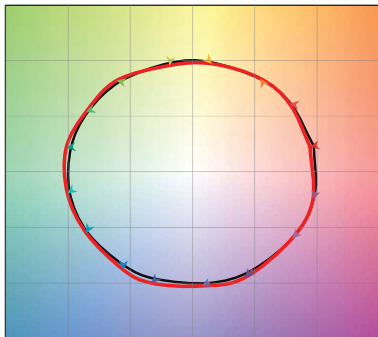
COLOR VECTOR GRAPHIC



— Reference Source — Test Source

3500K

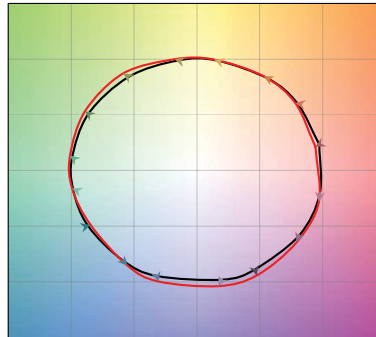
COLOR VECTOR GRAPHIC



— Reference Source — Test Source

4000K

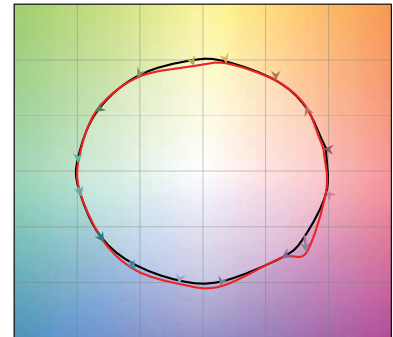
COLOR VECTOR GRAPHIC



— Reference Source — Test Source

6500K

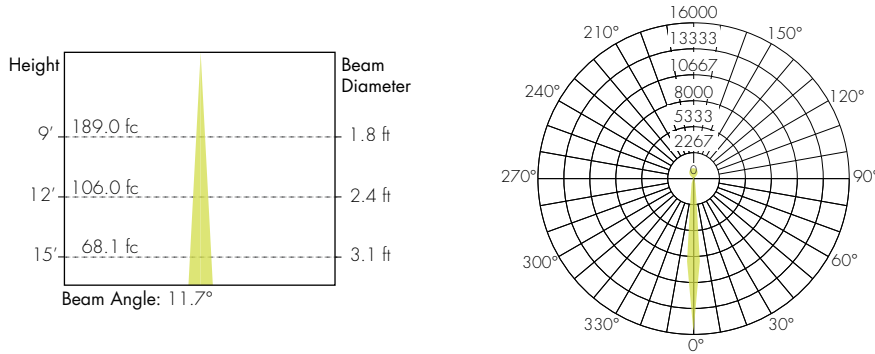
COLOR VECTOR GRAPHIC



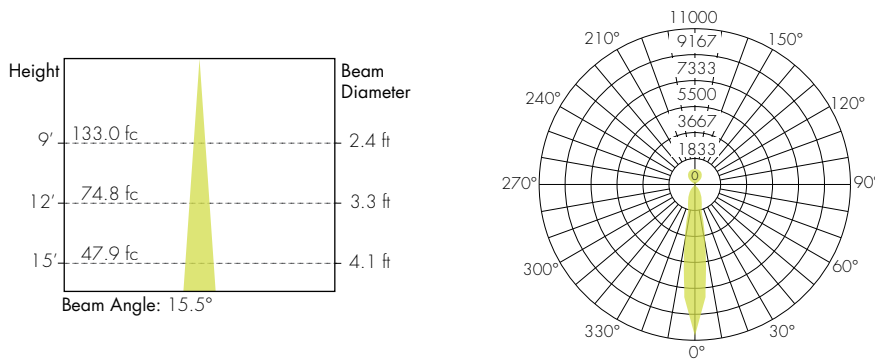
— Reference Source — Test Source

Photometry

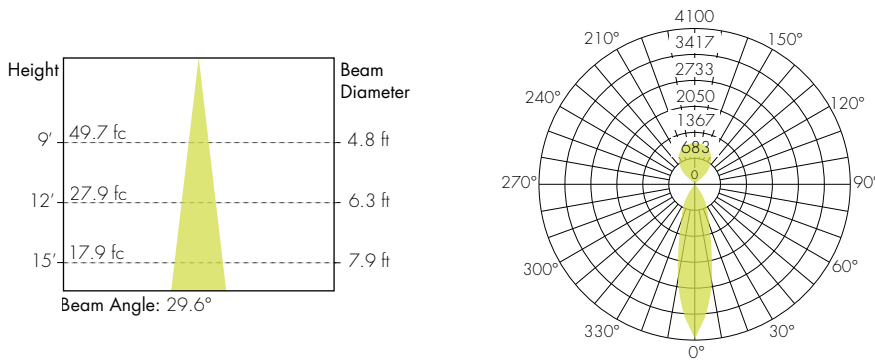
10° Faceted Reflector Down/ 60° Faceted Reflector Up



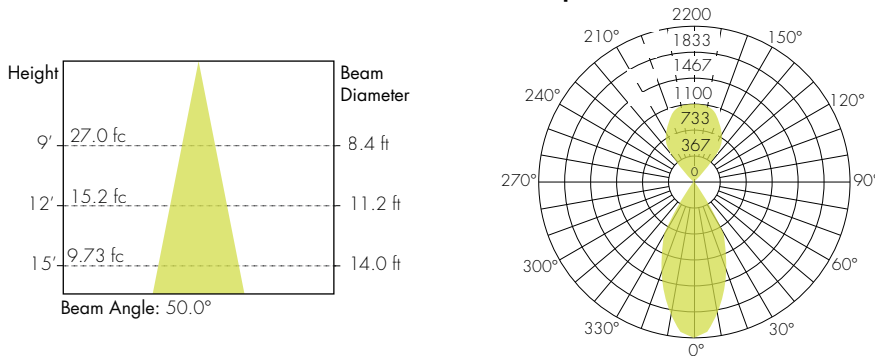
18° Faceted Reflector Down/ 60° Faceted Reflector Up



30° Faceted Reflector Down/ 60° Faceted Reflector Up

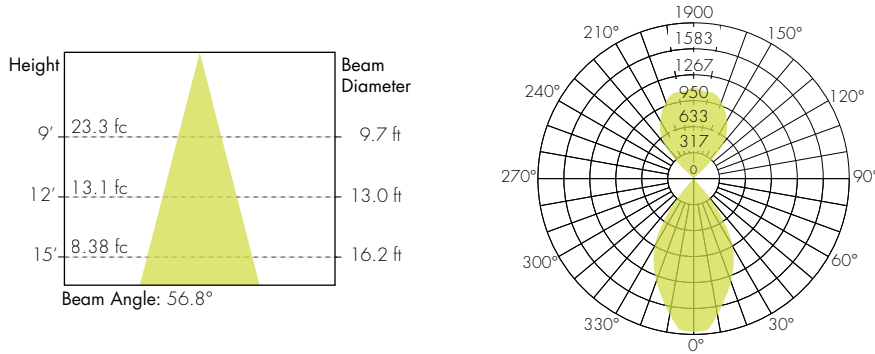


45° Faceted Reflector Down/ 60° Faceted Reflector Up

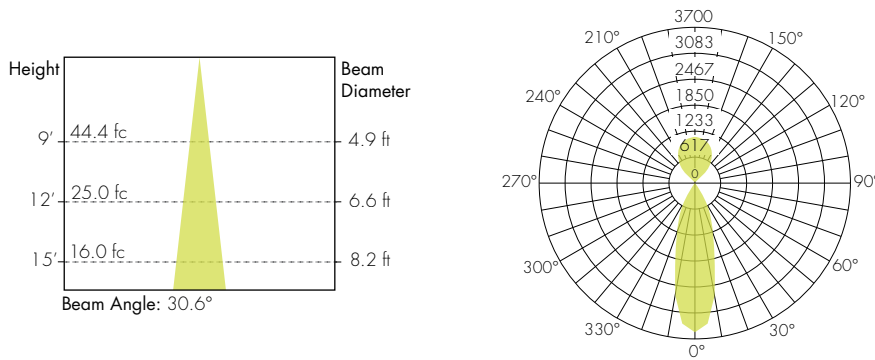


Photometry

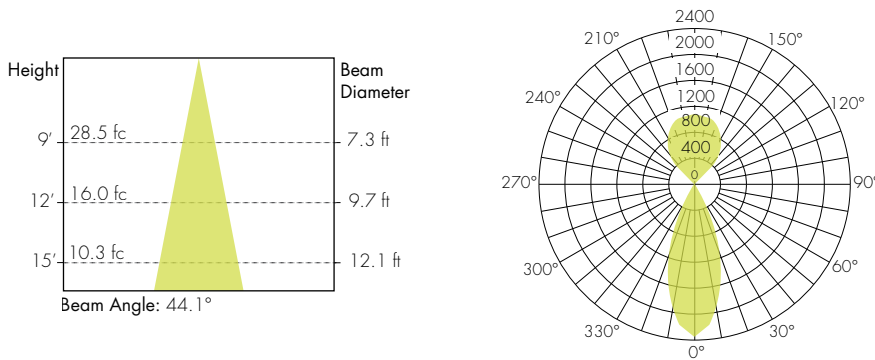
60° Faceted Reflector Down/ 60° Faceted Reflector Up



30° Smooth Reflector Down/ 60° Faceted Reflector Up



45° Smooth Reflector Down/ 60° Faceted Reflector Up



80° Smooth Reflector Down/ 60° Faceted Reflector Up

