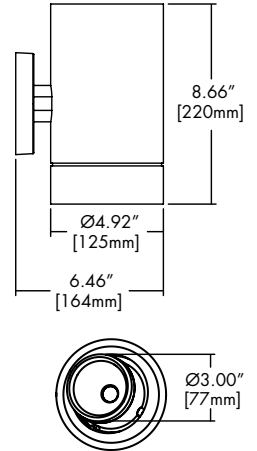


LETO 11 ADJ

ADJUSTABLE WALL MOUNT UP/DOWN CYLINDER



Features

- 360° rotation and up to 30° total tilt.
- Field interchangeable faceted metal reflectors and TIR optics provide adjustable beam spreads between 15° to 60°.
- Two output options available up to 1000 lumens.
- Nine driver selections available to cover a wide range of applications.
- Five year warranty.

Finish Options

- White
- Black
- Silver
- Mocha
- Charcoal
- Cerulean
- Firebrick



Technical Information

OUTPUT OPTIONS		0707	1010
DOWN	Fixture wattage	6.2 W	9.7 W
	Delivered Lumen	697 lm	1036 lm
	Efficacy	112 lm/W	107 lm/W
	Center Beam Candlepower (20° Faceted Reflector)	3019 cd	4488 cd
UP	Fixture wattage	6.2 W	9.7 W
	Delivered Lumen	559 lm	825 lm
	Efficacy	90 lm/W	85 lm/W

CCT	Multiplier	CRI	TM-30		
			R _f	R _g	R ₉
2500K	0.80	93+	93	102	50+
2700K	0.92	93+	92	100	50+
3000K	0.97	93+	92	103	50+
3500K	1.00	93+	93	102	50+
4000K	1.07	93+	92	101	50+
6500K	1.05	93+	92	101	50+

Ordering Code

Integral Driver Example: Fixture LET11A-WM-0707-25K-F20-F17-NA-WH-WH-PHSD-NA
 Remote Driver Example: Fixture LET11A-WM-0707-25K-F20-F17-NA-WH-WH-PHSD-NA
 HRM-LET11A-WM-0707-25K-PHSD-NA

Fixture

MODEL	TYPE	OUTPUT ²	CCT	OPTIC	OPTIC UP	ACCESSORY* ¹	BODY FINISH	BAFFLE FINISH
LET11A-Leto 11 Adjustable	WM-Wall Mount	0707-700 lumens down, 700 lumens up 1010-1000 lumens down, 1000 lumens up	25K-2500K 27K-2700K 30K-3000K 35K-3500K 40K-4000K 65K-6500K	F20-20 Degree, Faceted F30-30 Degree, Faceted F45-45 Degree, Faceted F60-60 Degree, Faceted T15-15 Degree, TIR T20-23 Degree, TIR T30-36 Degree, TIR	F17-17 Degree, Faceted F24-24 Degree, Faceted F60-60 Degree, Faceted	NA-No Accessory CL-Clear Lens DL-Diffusing Lens *Max of two accessories per fixture. See page 2 for ordering part number.	Standard WH-White BK-Black SL-Silver Premium ³ MA-Mocha CC-Charcoal CR-Cerulean FB-Firebrick	Standard WH-White BK-Black SL-Silver Premium ³ MA-Mocha CC-Charcoal CR-Cerulean FB-Firebrick

DRIVER

DRIVER OPTIONS

- PHSD - Forward/Reverse Phase, 1% Dimming, 120V Only
- 010S - 0-10V, 1% Dimming, 120/277V
- 0103 - 0-10V, 1% Dimming, 347V Only⁴
- 010L - EldoLED, 0-10V, Linear, 0.1% Dimming, 120/277V⁴
- 010G - EldoLED, 0-10V, Log, 0.1% Dimming, 120/277V⁴
- DALI - EldoLED, DALI Protocol 2, DT-6, 0.1% Dimming, 120/277V⁴
- DALI8 - EldoLED, DALI Protocol 2, DT-8, 0.1% Dimming, 120/277V⁴
- LUTE - Lutron HiLume Ecodigital, 1% Dimming, 120V/277V⁴
- DMX - EldoLED, DMX, 0.1% Dimming, 120V/277V⁴

- NA - None
- EMG - Emergency Driver^{4,5}

1 - Accessory only installed in bottom light.
 2 - Different Lumen Output combinations available by request. Cannot be offered with POA Suspension. Contact Senso.
 3 - Premium finishes may have extended lead times. Custom RALs are available, please consult Inside Sales with specific request.
 4 - Drivers 0103/010L/010G/DALI/DALI8/DMX/LUTE/EMG are only available with HRM - Remote Power Supply.
 5 - Emergency option comes prewired from factory with driver in remote housing. 8W of continuous power provided for a minimum of 90 minutes. Must be installed within 30 feet of luminaire using 18 AWG wire. Not available with 0103, DMX, DALI8 or LUTE Driver.

CONTACT FACTORY FOR MORE OPTIONS.

Lens & Accessory Options

OPTC-ACC-CL-65MM

Clear Lens

Also available with complete fixture, use ordering code.

-CL



OPTC-ACC-DL-65MM

Diffusing Lens

Also available with complete fixture, use ordering code.

-DL



Optics

RFLC-FXX-60MM

Faceted Reflector

Also available with complete fixture, use ordering code.

-F20/-F30/-F45/-F60



RFLC-TXX-60MM

TIR

Also available with complete fixture, use ordering code.

-T15/-T20/T30



FXX	Optic
F20	20° Faceted
F30	30° Faceted
F45	45° Faceted
F60	60° Faceted

TXX	Optic
T15	15° TIR
T20	13° TIR
T30	36° TIR

Remote Driver Housing

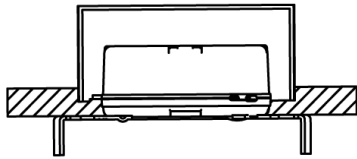
Depending on the options selected in the order code on page 1, a Remote Driver Housing may be required. This will automatically be generated and put on your order as necessary.

REMOTE DRIVER	MODEL	OUTPUT	CCT	DRIVER	DRIVER OPTIONS
HRM-Housing, Remote	LET11A-WM-Leto 11 Adjustable Wall Mount	Same as Fixture	Same as Fixture	Same as Fixture	Same as Fixture

Maximum mounting distance to luminaire using 18 AWG wire								
PHSD	010S	0103	010L	010G	DALI	DALI8	LUTE	DMX
16'	16'	16'	72'	72'	72'	72'	15'	149'

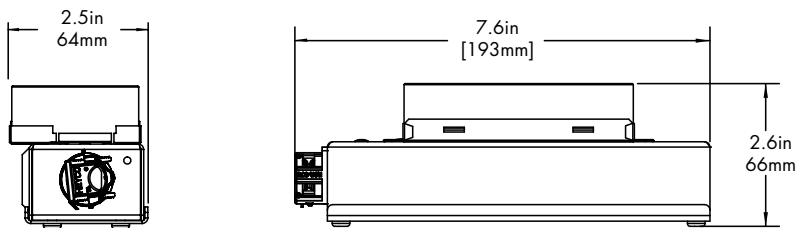
4" J-box

Minimum volume required to mount drivers in junction box: 70mm x 40mm x 30mm.



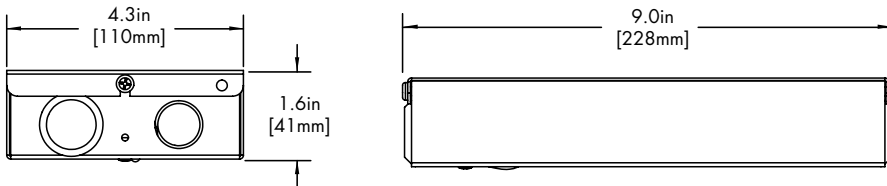
Driver
PHSD
010S

HRM Single with Externally Mounted Driver



Driver
0103
010L
010G
DALI
LUTE

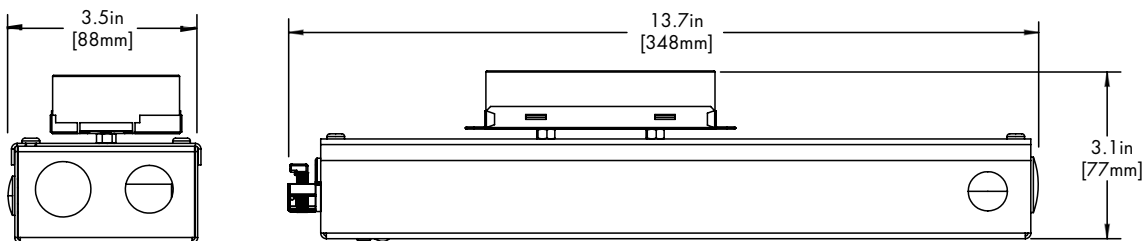
HRM Double



Driver
DALI8
DMX

EMG Emergency Driver

120 minute EMG operation time.



Driver
EMG

LETO 11 ADJ

ADJUSTABLE WALL MOUNT UP/DOWN CYLINDER

Standard Finish

BK
Black



WH
White



SL
Silver



Premium Finish

Two tone with Black Baffle Finish. Any combination may be used for baffle and body finishes.

MA
Mocha



CC
Charcoal



CR
Cerulean



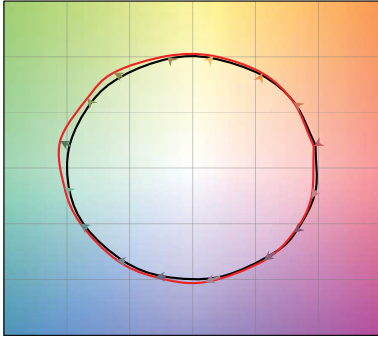
FB
Firebrick



TM-30

2500K

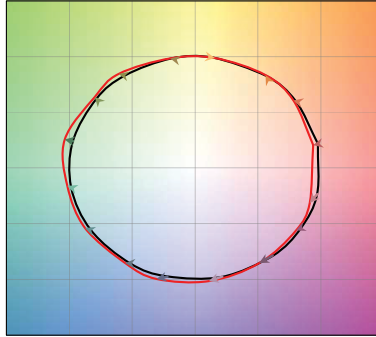
COLOR VECTOR GRAPHIC



— Reference Source — Test Source

2700K

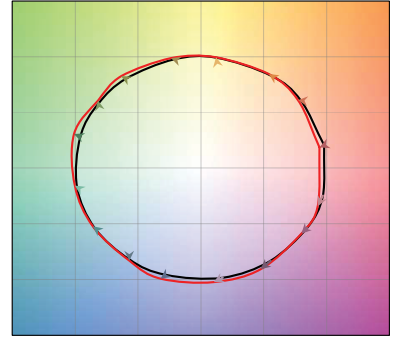
COLOR VECTOR GRAPHIC



— Reference Source — Test Source

3000K

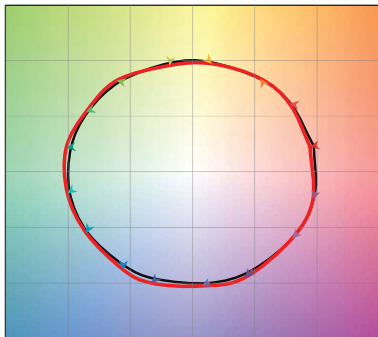
COLOR VECTOR GRAPHIC



— Reference Source — Test Source

3500K

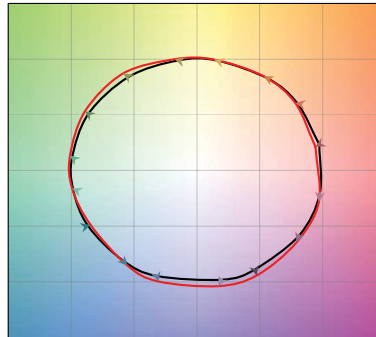
COLOR VECTOR GRAPHIC



— Reference Source — Test Source

4000K

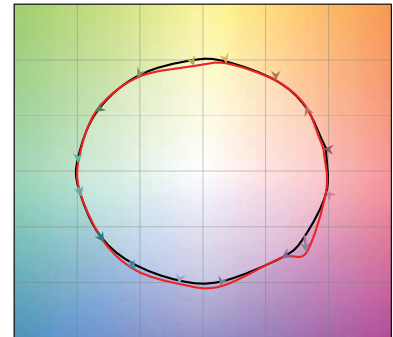
COLOR VECTOR GRAPHIC



— Reference Source — Test Source

6500K

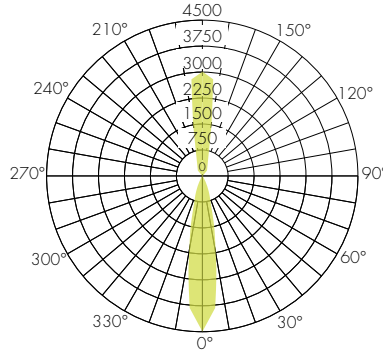
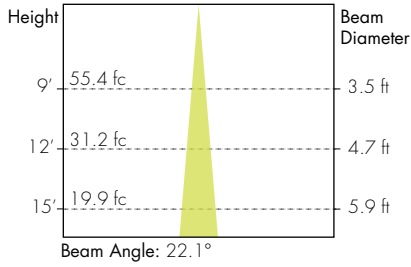
COLOR VECTOR GRAPHIC



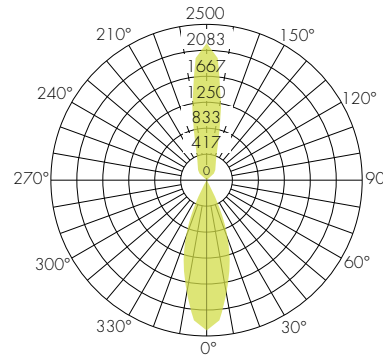
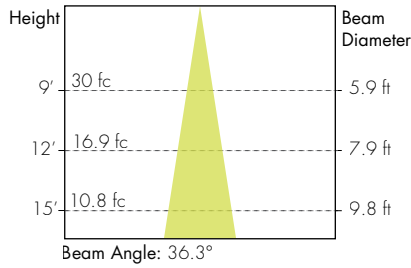
— Reference Source — Test Source

Photometry

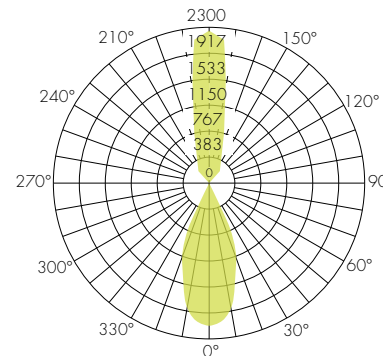
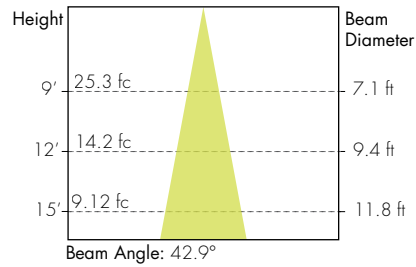
20° Faceted Reflector



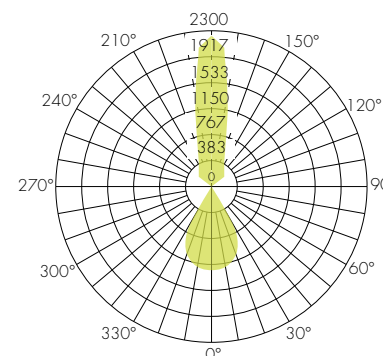
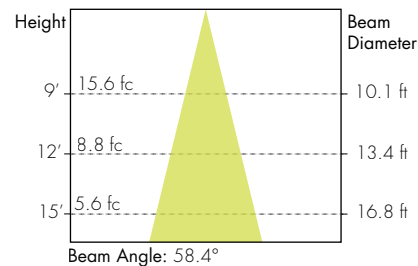
30° Faceted Reflector



45° Faceted Reflector

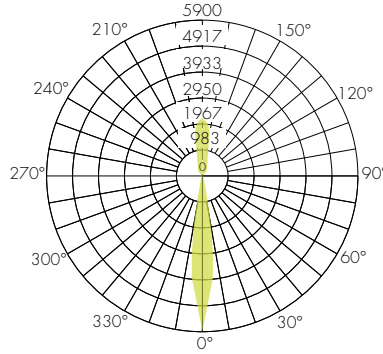
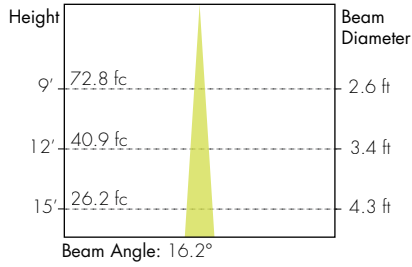


60° Faceted Reflector

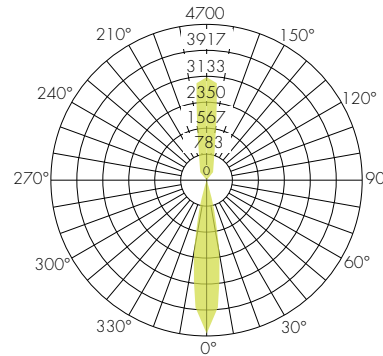
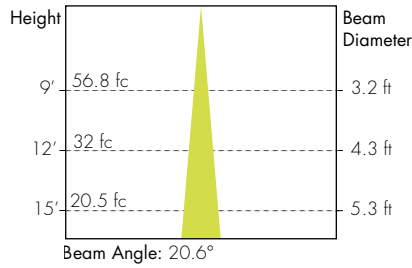


Photometry

15° TIR



23° TIR



36° TIR

