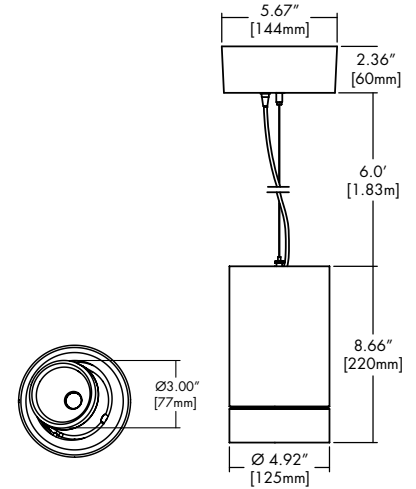


LETO 11 ADJ

ADJUSTABLE SUSPENDED UP/DOWN CYLINDER



Features

- 360° rotation and up to 30° total tilt.
- Field interchangeable faceted metal reflectors and TIR optics provide adjustable beam spreads between 15° to 60°.
- Three output options available up to 1500 lumens.
- Nine driver selections available to cover a wide range of applications.
- Five year warranty.

Finish Options

- White
- Mocha
- Black
- Charcoal
- Silver
- Cerulean
- Firebrick



Technical Information

OUTPUT OPTIONS		0707	1010	1515
DOWN	Fixture wattage	6.2 W	9.7 W	14.7 W
	Delivered Lumen	697 lm	1036 lm	1522 lm
	Efficacy	112 lm/W	107 lm/W	104 lm/W
	Center Beam Candlepower (20° Faceted Reflector)	3003 cd	4463 cd	6557 cd
UP	Fixture wattage	6.2 W	9.7 W	14.8 W
	Delivered Lumen	559 lm	825 lm	1373 lm
	Efficacy	90 lm/W	85 lm/W	93 lm/W

CCT	Multiplier	CRI	TM-30		
			R _f	R _g	R ₉
2500K	0.80	93+	93	102	50+
2700K	0.92	93+	92	100	50+
3000K	0.97	93+	92	103	50+
3500K	1.00	93+	93	102	50+
4000K	1.07	93+	92	101	50+
6500K	1.05	93+	92	101	50+

Ordering Code

Integral Driver Example: Fixture LET11A-S-0707-25K-F20-F17-NA-WH-WH-RD-WH-2AF-NA-PHSD-NA
 Remote Driver Example: Fixture LET11A-S-0707-25K-F20-F17-NA-WH-WH-RD-WH-2AF-NA-PHSD-NA
 HRM-LET11A-S-0707-25K-PHSD-NA

MODEL	TYPE	OUTPUT ²	CCT	OPTIC	OPTIC UP	ACCESSORY* ¹	BODY FINISH	BAFFLE FINISH
LET11A-Leto 11 Adjustable	S-Suspended	0707-700 lumens down, 700 lumens up 1010-1000 lumens down, 1000 lumens up 1515-1500 lumens down, 1500 lumens up	25K-2500K 27K-2700K 30K-3000K 35K-3500K 40K-4000K 65K-6500K	F20-20 Degree, Faceted F30-30 Degree, Faceted F45-45 Degree, Faceted F60-60 Degree, Faceted T15-15 Degree, TIR T20-23 Degree, TIR T30-36 Degree, TIR	F17-17 Degree, Faceted F24-24 Degree, Faceted F60-60 Degree, Faceted	NA-No Accessory CL-Clear Lens DL-Diffusing Lens HC-Honeycomb Louver SL-Solite Lens *Max of two accessories per fixture. See page 2 for ordering part number.	Standard WH-White BK-Black SL-Silver Premium ³ MA-Mocha CC-Charcoal CR-Cerulean FB-Firebrick	Standard WH-White BK-Black SL-Silver Premium ³ MA-Mocha CC-Charcoal CR-Cerulean FB-Firebrick
CANOPY/ HOUSING	CANOPY FINISH	SUSPENSION TYPE	SUSPENSION FINISH		DRIVER	DRIVER OPTIONS		
RD-Round RTL-Round Trimless ⁴ SQ-Square	Standard WH-White BK-Black SL-Silver Premium ³ MA-Mocha CC-Charcoal CR-Cerulean FB-Firebrick	2AF-2AC+Feed Cable POA-2 Powered Aircraft	Standard NA-None ⁵ CL-Clear WH-White BK-Black		PHSD-Forward/Reverse Phase, 1% Dimming, 120V Only 010S-0-10V, 1% Dimming, 120/277V 0103-0-10V, 1% Dimming, 347V Only 010L-EldoLED, 0-10V, Linear, 0.1% Dimming, 120/277V ⁶ 010G-EldoLED, 0-10V, Log, 0.1% Dimming, 120/277V ⁶ DALI-EldoLED, DALI Protocol 2, DF-6, 0.1% Dimming, 120/277V ⁶ DALI8-EldoLED, DALI Protocol 2, DF-8, 0.1% Dimming, 120/277V ⁶ LUTE-Lutron HiLume Ecodigital, 1% Dimming, 120V/277V ⁶ DMX-EldoLED, DMX, 0.1% Dimming, 120V/277V ⁶	NA-None EMG-Emergency Driver ^{4,7} CSMB-Casambi ⁸ AWNR-Athena ⁸		

1- Accessory only installed in bottom light.
 2- Different lumen Output combinations available by request. Cannot be offered with POA Suspension. Contact Senso.
 3- Premium finishes may have extended lead times. Custom RALs are available, please consult Inside Sales with specific request.
 4- All drivers remote mounted when using RTL canopy, DALI8 driver, DMX driver, or EMG driver options.

5- Must select NA None when POA 2 Powered Aircraft Suspension is selected.
 6- Requires SQ square canopy for integral driver, otherwise remote mounted.
 7- Emergency option comes prewired from factory with driver in remote housing. 8W of continuous power provided for a minimum of 90 minutes. Must be installed within 30 feet of luminaire using 18 AWG wire. Not available with 0103, DMX, DALI8 or LUTE Driver.
 8- AWNR/CSMB only available with 010S driver and RD/SQ canopy.


CONTACT FACTORY FOR MORE OPTIONS.

LETO 11 ADJ


ADJUSTABLE SUSPENDED UP/DOWN CYLINDER

Canopy

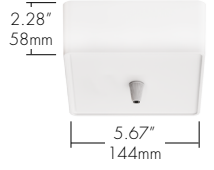
RD Round Canopy

	Integral Drivers	Remote Drivers
 <p>2.36" 60mm</p> <p>Ø5.17" 131mm</p>	010S	010L
	0103	010G
	PHSD	DAI
		DAI8
		LUTE
		DMX

RTL Round Trimless Canopy

	Integral Drivers	Remote Drivers
 <p>Ø5.17" 131mm</p>	N/A	010S
		0103
		PHSD
		010L
		010G
		DAI
		DAI8
		LUTE
		DMX

SQ Square Canopy

	Integral Drivers	Remote Drivers
 <p>2.28" 58mm</p> <p>5.67" 144mm</p>	010S	DMX
	0103	DAI8
	PHSD	
	010L	
	010G	
	DAI	
	DAI8	
	LUTE	

Please see next page for Remote Driver Housing details.

Suspension

2AF 2 Aircraft + Feed Cable

POA 2 Powered Aircraft



Lens & Accessory Options

OPTC-ACC-CL-65MM

Clear Lens
Also available with complete fixture, use ordering code.
-CL



OPTC-ACC-DL-65MM

Diffusing Lens
Also available with complete fixture, use ordering code.
-DL



OPTC-ACC-HC-65MM

Honeycomb Lens
Also available with complete fixture, use ordering code.
-HC



OPTC-ACC-SL-65MM

Solite Lens
Also available with complete fixture, use ordering code.
-SL



Optics

RFLC-FXX-60MM

Faceted Reflector
Also available with complete fixture, use ordering code.
-F20/-F30/-F45/-F60



RFLC-TXX-60MM

TIR
Also available with complete fixture, use ordering code.
-T15/-T20/-T30



FXX	Optic
F20	20° Faceted
F30	30° Faceted
F45	45° Faceted
F60	60° Faceted

TXX	Optic
T15	15° TIR
T20	23° TIR
T30	36° TIR

LETO 11 ADJ

ADJUSTABLE SUSPENDED UP/DOWN CYLINDER



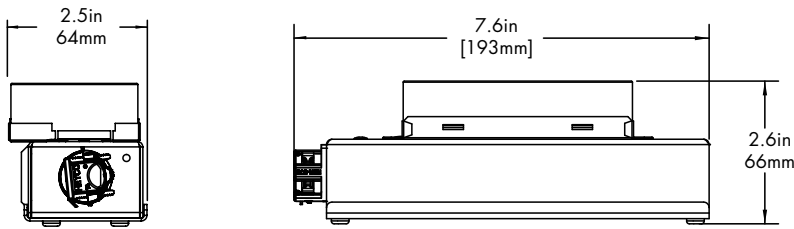
Remote Driver Housing

Depending on the options selected in the order code on page 1, a Remote Driver Housing may be required. This will automatically be generated and put on your order as necessary.

REMOTE DRIVER	MODEL	OUTPUT	CCT	DRIVER	DRIVER OPTIONS
HRM-Housing, Remote	LET11A-S-Leto 11 Adjustable Suspended	Same as Fixture	Same as Fixture	Same as Fixture	Same as Fixture

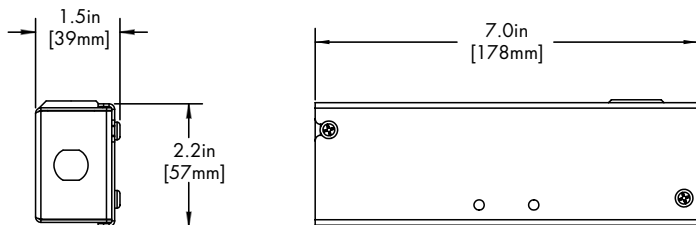
Maximum mounting distance to luminaire using 18 AWG wire								
PHSD	010S	0103	010L	010G	DALI	DALI8	LUTE	DMX
16'	16'	16'	72'	72'	72'	72'	15'	149'

HRM Single with Externally Mounted Driver



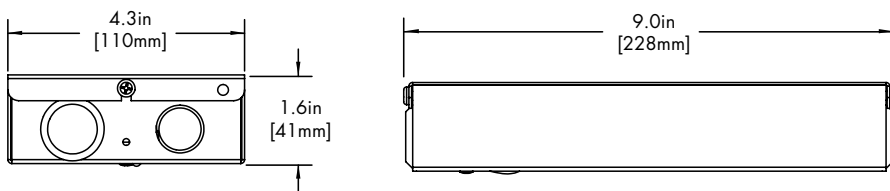
Canopy	+	Driver
RTL	+	0103
RD or RTL	+	010L
RD or RTL	+	010G
RD or RTL	+	DALI
RD or RTL	+	LUTE

HRM Single



Canopy	+	Driver
RTL	+	PHSD
RTL	+	010S

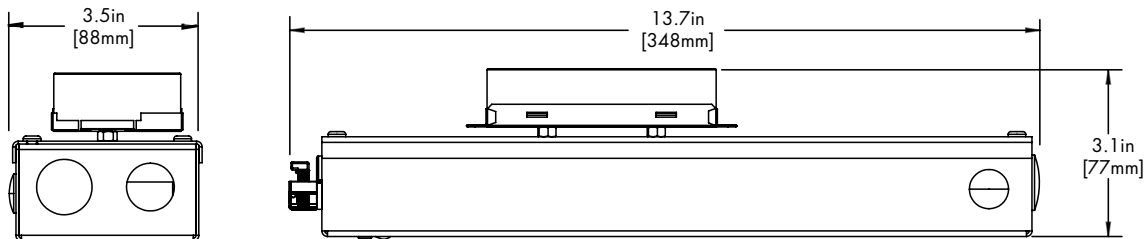
HRM Double



Driver
DALI8
DMX

EMG Emergency Driver

120 minute EMG operation time.



Driver
EMG

LETO 11 ADJ

ADJUSTABLE SUSPENDED UP/DOWN CYLINDER

Standard Finish

BK
Black



WH
White



SL
Silver



Premium Finish

Two tone with Black Baffle Finish. Any combination may be used for baffle and body finishes.

MA
Mocha



CC
Charcoal



CR
Cerulean



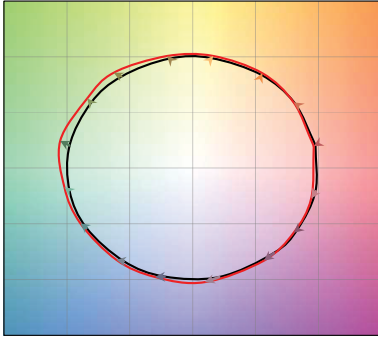
FB
Firebrick



TM-30

2500K

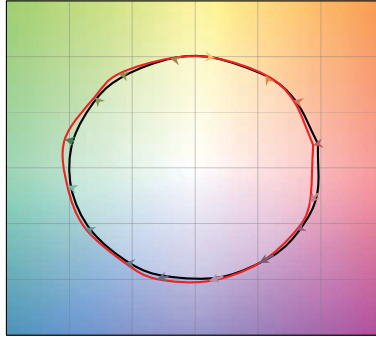
COLOR VECTOR GRAPHIC



— Reference Source — Test Source

2700K

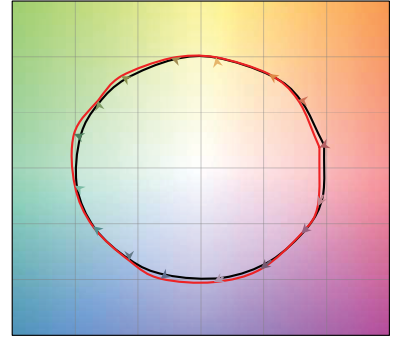
COLOR VECTOR GRAPHIC



— Reference Source — Test Source

3000K

COLOR VECTOR GRAPHIC



— Reference Source — Test Source

3500K

COLOR VECTOR GRAPHIC



— Reference Source — Test Source

4000K

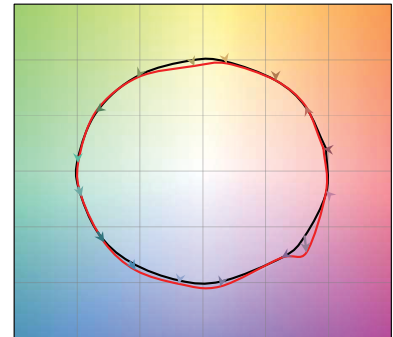
COLOR VECTOR GRAPHIC



— Reference Source — Test Source

6500K

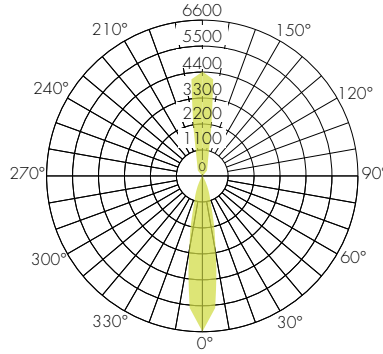
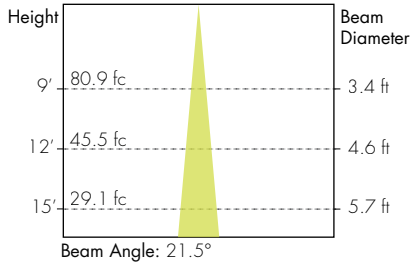
COLOR VECTOR GRAPHIC



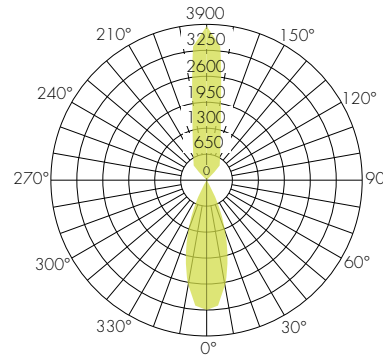
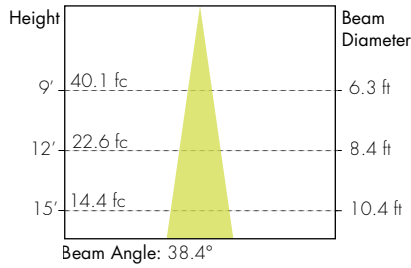
— Reference Source — Test Source

Photometry

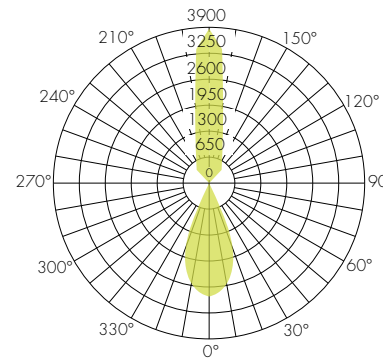
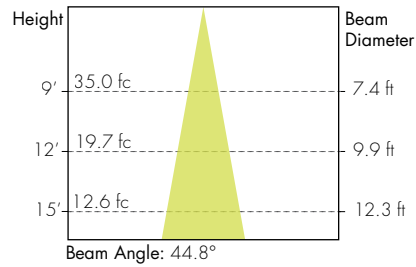
20° Faceted Reflector



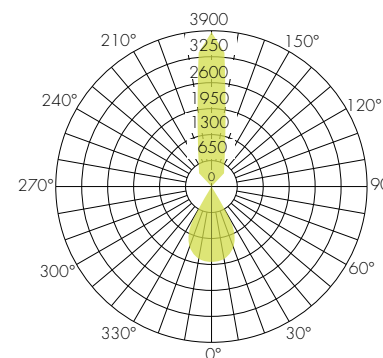
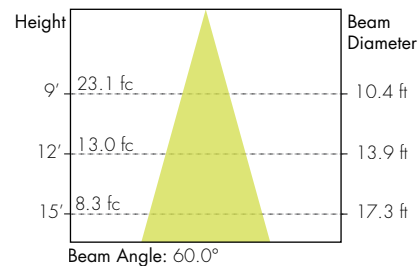
30° Faceted Reflector



45° Faceted Reflector

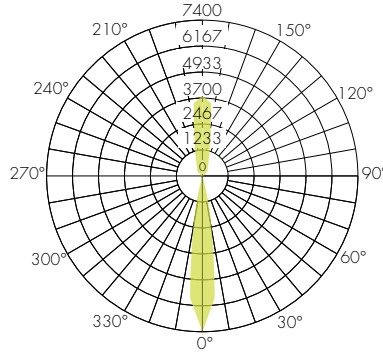
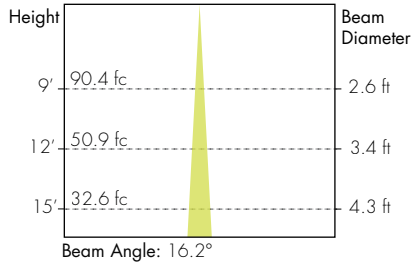


60° Faceted Reflector

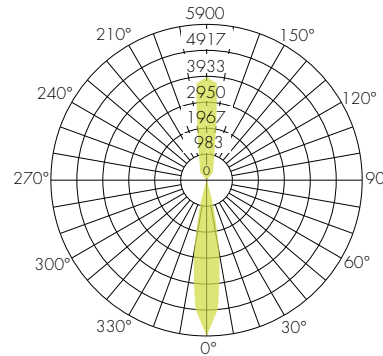
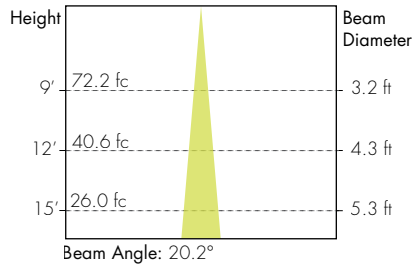


Photometry

15° TIR



23° TIR



36° TIR

