

LATONA 2" WET

DOWNLIGHT
TUNABLE WHITE & WARM DIM



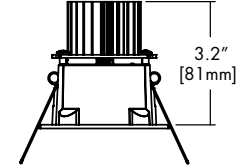
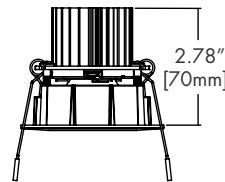
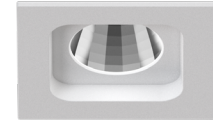
Features

- Faceted metal reflectors provide beam spreads between 20° to 60°.
- Warm Dim output options available up to 1000 lumens. Tunable White is only available with 1500 lumens.
- Nine drivers selections available to cover wide range of applications.
- Five year warranty.



Finish Options

- White
- Black
- Silver



Technical Information

TYPE	WD1830		TW2765
	700 lm	1000 lm	1500 lm
OUTPUT OPTIONS	700 lm	1000 lm	1500 lm
Fixture wattage	7.2 W	11.4 W	18.4 W
Delivered Lumen	632 lm	1049 lm	1413 lm
Efficacy	88 lm/W	92 lm/W	77 lm/W
Center Beam Candlepower (20° Faceted Reflector)	1159 cd	2130 cd	2767 cd

CCT	CRI	TM-30		
		R _f	R _g	R ₉
1800K	94	90	93	61
3000K	94	89	97	72
2700K	91	90	96	59
6500K	93	87	97	73

Ordering Code

Remote Driver Example: Fixture LAT2W-D-RD-TR-07-WD1830-F20-CL-WH-HRM-LAT2W-D-TR-07-WD1830-PHSD-NA

Fixture

MODEL	TYPE	SHAPE	TRIM	OUTPUT	CCT	OPTIC	ACCESSORY	TRIM FINISH
LAT2W - Latona 2" Wet	D - Downlight	RD - Round SQ - Square	TR - Trimmed	07 - 700 lumens (7.4W) ¹ 10 - 1000 lumens (10.6W) ¹ 15 - 1500 lumens (16.6W) ¹	WD1830 - Warm Dim, 1800K-3000K ⁹ TW2765 - Tunable White, 2700K-6500K ^{5,6,7,8}	F20 - 20 Degree, Faceted F30 - 30 Degree, Faceted F60 - 60 Degree, Faceted	CL - Clear Lens DL - Diffusing Lens	WH - White BK - Black SL - Silver

HOUSING	MODEL	TRIM	OUTPUT	CCT	DRIVER	DRIVER OPTIONS
HRM - Remote Power Supply (Non-IC) HP - New Construction Pan (Non-IC) HIC - Housing, IC Rated ¹	LAT2W-D - Latona 2" Downlight	Same as Fixture	Same as Fixture	Same as Fixture	PHSD - Forward/Reverse Phase, 1% Dimming, 120V Only 010S - 0-10V, 1% Dimming, 120V/277V 0103 - 0-10V, 1% Dimming, 347V Only ³ 010L - EldoLED, 0-10V, Linear, 0.1% Dimming, 120V/277V ³ 010G - EldoLED, 0-10V, Log, 0.1% Dimming, 120V/277V ³ DALI - EldoLED, DALI Protocol 2, DF-6, 0.1% Dimming, 120V/277V [Standard as LOG] ^{5,6,10} DALI8 - EldoLED, DALI Protocol 2, DF-8, 0.1% Dimming, 120V/277V [Standard as LOG] ^{5,10} LUTE - Lutron Hilume Ecodigital, 1% Dimming, 120V/277V ^{2,3} DMX - EldoLED, DMX, 0.1% Dimming, 120V/277V ^{5,6}	NA - None EMG - Emergency Driver ^{3,4}

1 - Housing HIC is only available with 700/1000 lumens
2 - LUTE driver is not available with 700 lumens.
3 - Drivers 0103/010L/010G/DALI/DALI8/LUTE/DMX/EMG are only available with HRM - Remote Power Supply.
4 - Emergency option comes prewired from factory with driver in remote housing. 8W of continuous power provided for a minimum of 90 minutes. Must be installed within 30 feet of luminaire using 18 AWG wire. Not available with 0103, DMX, DALI8 or LUTE Driver.
5 - TW2765 is only available with 1500 lumens.

6 - DALI/DMX are only available with TW2765 LEDs.
7 - TW2765 only available with Drivers 010L/010G/DALI8/DMX. Not available with EMG driver option.
8 - TW2765 requires HRM - Remote Power Supply.
9 - WD1830 is only available with 700/1000 lumens.
10 - DALI and DALI8 driver options use logarithmic dimming curve as standard. For LINEAR dimming curve, add "LIN" after the dimming code, i.e. DALI LIN

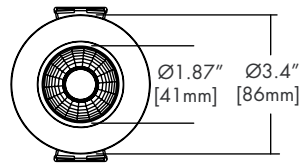
CONTACT FACTORY FOR MORE OPTIONS.

LATONA 2" WET

DOWNLIGHT
TUNABLE WHITE & WARM DIM

Round

TR
Trimmed



Lens

CL
Clear Lens



DL
Diffusing Lens



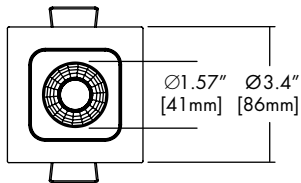
Optics

FXX (20°, 30°, 60°)
Faceted Reflector



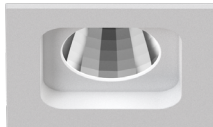
Square

TR
Trimmed

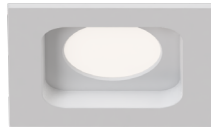


Lens

CL
Clear Lens

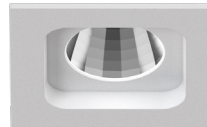


DL
Diffusing Lens



Optics

FXX (20°, 30°, 60°)
Faceted Reflector



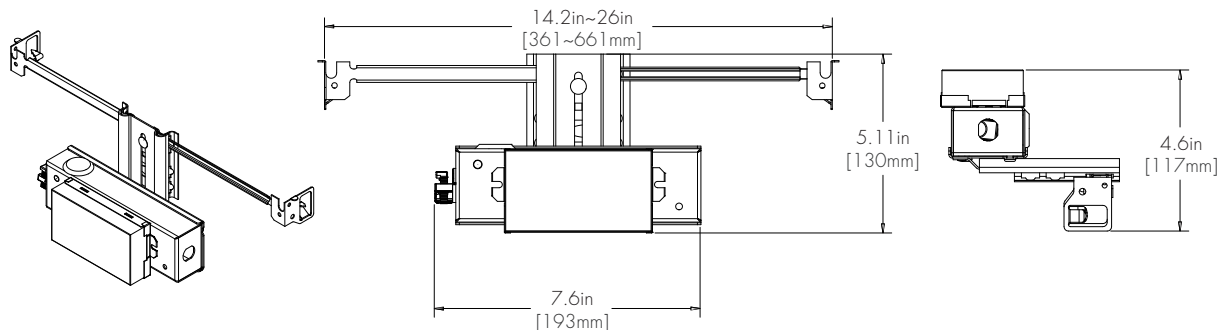
LATONA 2" WET

DOWNLIGHT
TUNABLE WHITE & WARM DIM

Remote Driver Housing

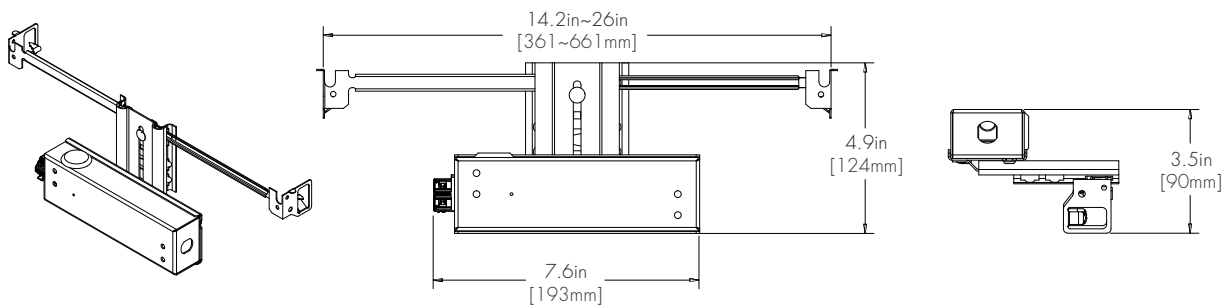
Maximum mounting distance to luminaire using 18 AWG wire								
PHSD	O10S	O103	O10L	O10G	DALI	DALI8	LUTE	DMX
16'	16'	16'	72'	72'	72'	72'	15'	149'

HRM Single with Externally Mounted Driver



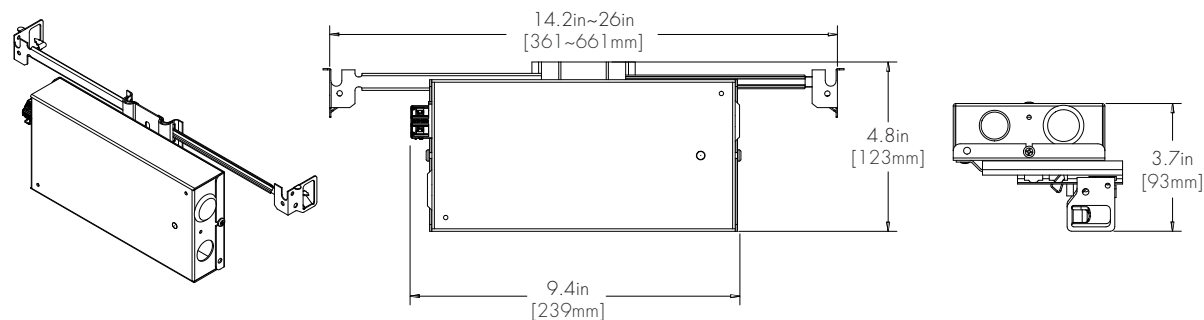
Driver	+	Driver Option
O10L	+	NA
O10G	+	NA
O10S	+	NA
DALI	+	NA
LUTE	+	NA

HRM Single



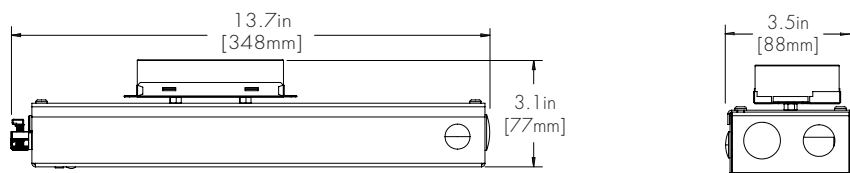
Driver	+	Driver Option
PHSD	+	NA

HRM Double



Driver	+	Driver Option
DALI8	+	NA
DMX	+	NA

EMG Emergency Driver (120 minutes EMG operation time)



Driver	+	Driver Option
O10L	+	EMG
O10G	+	EMG
O10S	+	EMG
DALI	+	EMG
PHSD	+	EMG

LATONA 2" WET

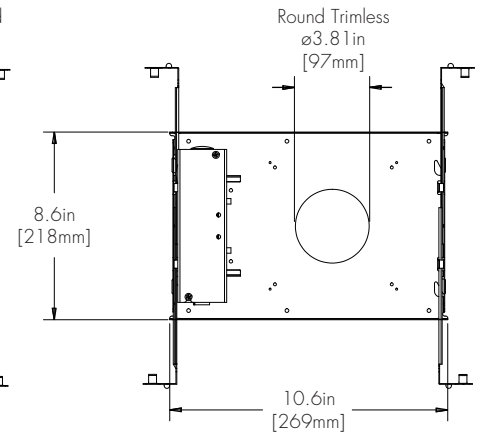
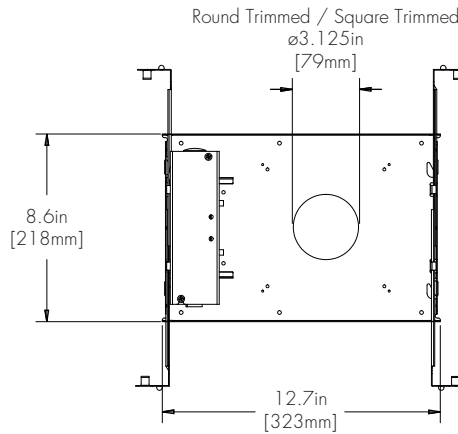
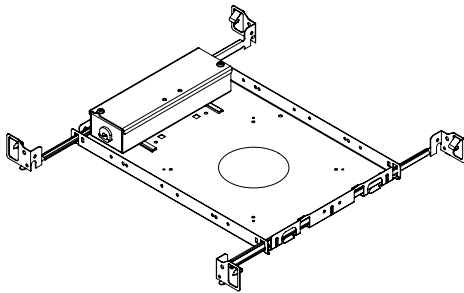
DOWNLIGHT
TUNABLE WHITE & WARM DIM



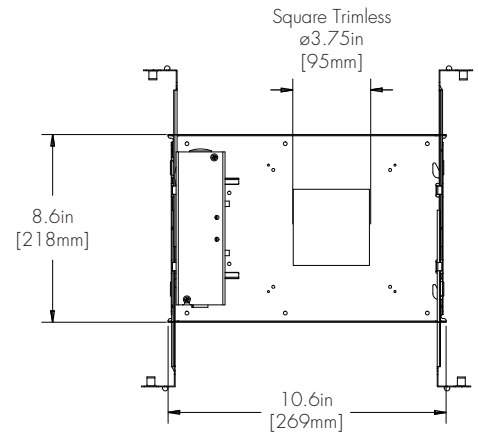
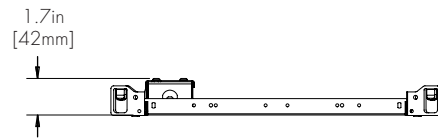
Remote Driver Housing

HP

New Construction Pan (Non-IC)

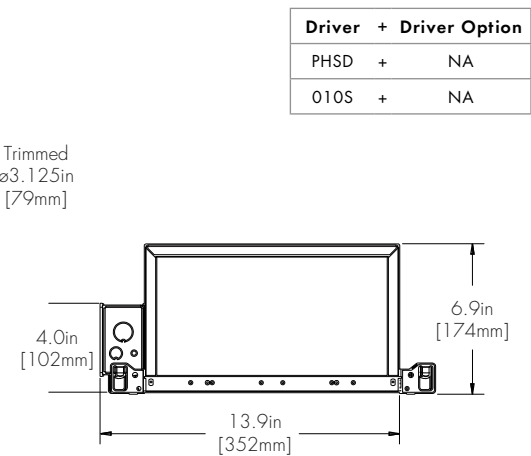
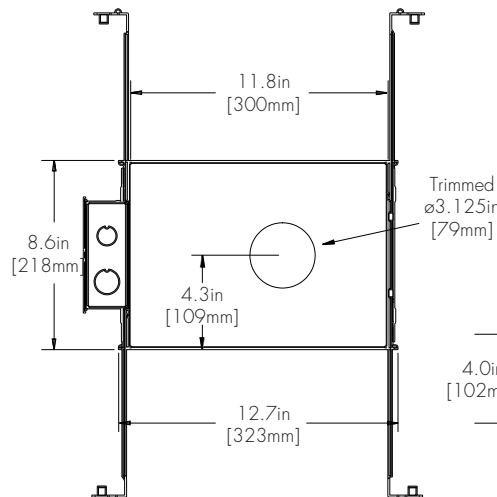
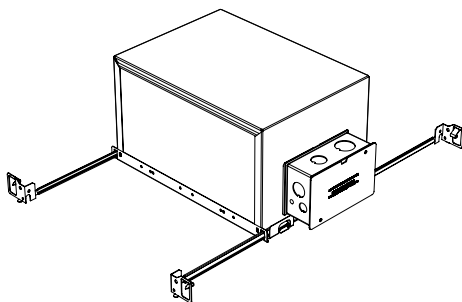


Driver	+	Driver Option
PHSD	+	NA
O10S	+	NA



HIC/HCP

Housing, IC Rated/ Housing, IC Rated, Chicago Plenum Rated



LATONA 2" WET

DOWNLIGHT
TUNABLE WHITE & WARM DIM



Standard Finish

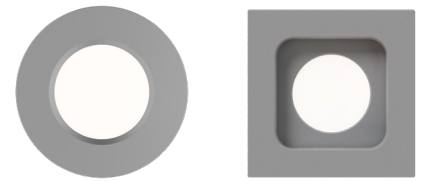
BK
Black



WH
White



SL
Silver



LATONA 2" WET

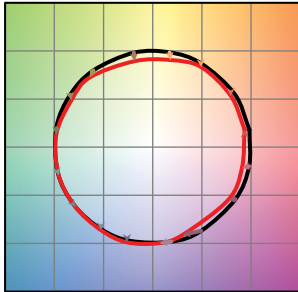
DOWNLIGHT
TUNABLE WHITE & WARM DIM



TM-30

Warm Dim 1800K

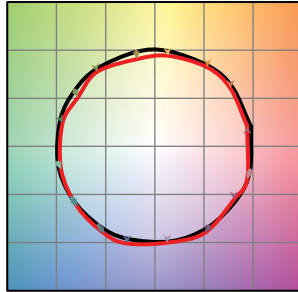
COLOR VECTOR GRAPHIC



— Reference Source — Test Source

Warm Dim 3000K

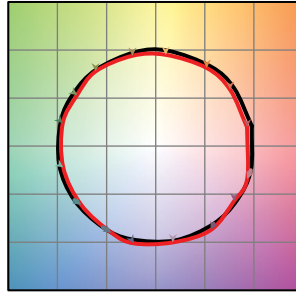
COLOR VECTOR GRAPHIC



— Reference Source — Test Source

Tunable White 2700K

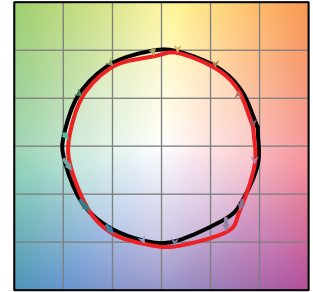
COLOR VECTOR GRAPHIC



— Reference Source — Test Source

Tunable White 6500K

COLOR VECTOR GRAPHIC

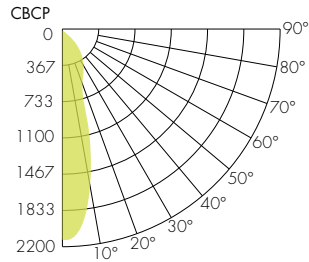
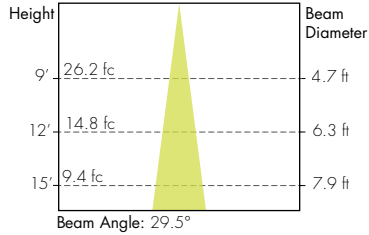


— Reference Source — Test Source

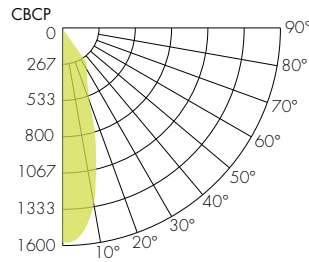
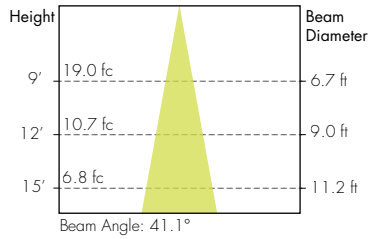
Photometry

Tested with Clear Lens.

20° Faceted Reflector



30° Faceted Reflector



60° Faceted Reflector

