

LATONA 2"

DOWNLIGHT - ADJUSTABLE



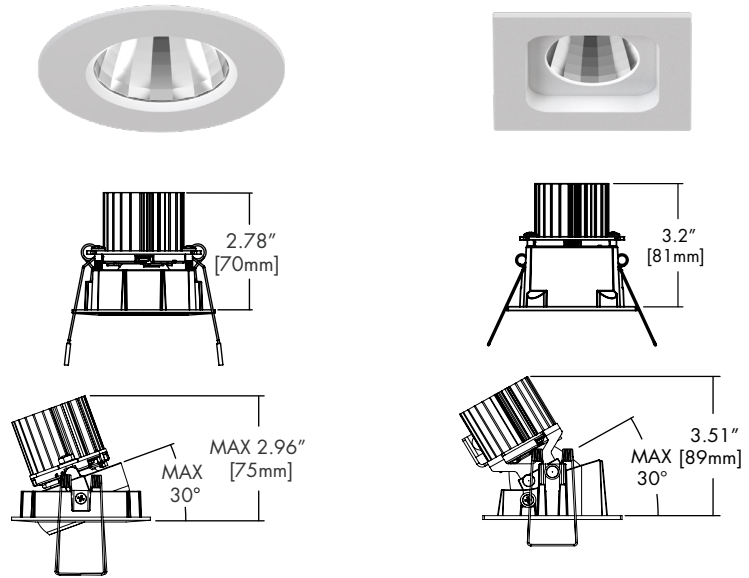
Features

- Faceted metal reflectors provide beam spreads between 20° to 60°.
- Three output options available up to 1500 lumens.
- Nine drivers selections available to cover wide range of applications.
- Five year warranty.



Finish Options

- White
- Black
- Silver



Technical Information

OUTPUT OPTIONS	700 lm	1000lm	1500lm
Fixture wattage	6.3 W	9.8 W	14.7 W
Delivered Lumen at 3500K	707 lm	1049 lm	1571 lm
Efficacy	112 lm/W	107 lm/W	107 lm/W
Center Beam Candlepower (20° Faceted Reflector)	1879 cd	2788 cd	4175 cd

CCT	Multiplier	CRI	TM-30		
			R _f	R _g	R ₉
2500K	0.80	93+	93	102	50+
2700K	0.92	93+	92	100	50+
3000K	0.97	93+	92	103	50+
3500K	1.00	93+	93	102	50+
4000K	1.07	93+	92	101	50+
6500K	1.05	93+	92	101	50+

Ordering Code

Remote Driver Example: Fixture LAT2-D-RD-TR-07-25K-F20-NA-WHHRM-LAT2-D-TR-07-25K-PHSD-NA

Fixture

MODEL	TYPE	SHAPE	TRIM	OUTPUT	CCT	OPTIC	ACCESSORY	TRIM FINISH
LAT2-Latona 2"	D - Downlight A - Adjustable	RD - Round SQ - Square	TR - Trimmed TL - Trimless ¹	07 - 700 lumens (6.3W) ² 10 - 1000 lumens (9.8W) ² 15 - 1500 lumens (14.7W)	25K - 2500K 27K - 2700K 30K - 3000K 35K - 3500K 40K - 4000K 65K - 6500K	F20 - 20 Degree, Faceted F30 - 30 Degree, Faceted F60 - 60 Degree, Faceted	NA - No Accessory CL - Clear Lens DL - Diffusing Lens	WH - White BK - Black SL - Silver

HOUSING	MODEL	TRIM	OUTPUT	CCT	DRIVER	DRIVER OPTIONS
HRM - Remote Power Supply (Non-IC) HP - New Construction Pan (Non-IC) HIC - Housing, IC Rated	LAT2-D - Latona 2" Downlight LAT2-A - Latona 2" Adjustable	Same as Fixture	Same as Fixture	Same as Fixture	PHSD - Forward/Reverse Phase, 1% Dimming, 120V Only 010S - 0-10V, 1% Dimming, 120/277V 0103 - 0-10V, 1% Dimming, 347V Only ⁴ 010L - EldoLED, 0-10V, Linear, 0.1% Dimming, 120/277V ⁴ 010G - EldoLED, 0-10V, Log, 0.1% Dimming, 120/277V ⁴ DALI - EldoLED, DALI Protocol 2, DT-6, 0.1% Dimming, 120/277V (Standard as LOG) ^{4,6} DALI8 - EldoLED, DALI Protocol 2, DT-8, 0.1% Dimming, 120/277V (Standard as LOG) ^{4,6} LUTE - Lutron Hilume Ecodigital, 1% Dimming, 120V/277V ^{3,4} DMX - EldoLED, DMX, 0.1% Dimming, 120V/277V ⁴	NA - None EMG - Emergency Driver ^{4,5}

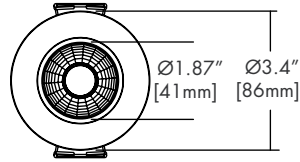
1 - Housing HIC is not available with TL Trim
2 - Housing HIC is only available with 700/1000 lumens
3 - LUTE driver is not available with 700 lumens.
4 - Drivers 0103/010L/010G/DALI/DALI8/LUTE/DMX/EMG are only available with HRM - Remote Power Supply.

5 - Emergency option comes prewired from factory with driver in remote housing. 8W of continuous power provided for a minimum of 90 minutes. Must be installed within 30 feet of luminaire using 18 AWG wire. Not available with 0103, DMX, DALI8 or LUTE Driver.
6 - DALI and DALI8 driver options use logarithmic dimming curve as standard. For LINEAR dimming curve, add "LIN" after the dimming code, i.e. DALI LIN

CONTACT FACTORY FOR MORE OPTIONS.

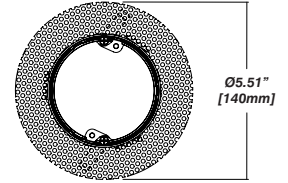
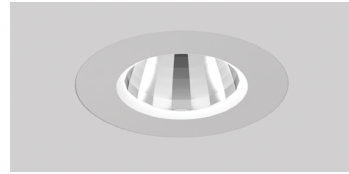
Round

TR
Trimmed



* Same dimension for downlight and adjustable.

TL
Trimless



Lens

CL
Clear Lens



DL
Diffusing Lens



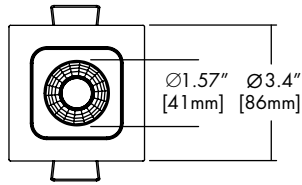
Optics

FXX (20°, 30°, 60°)
Faceted Reflector



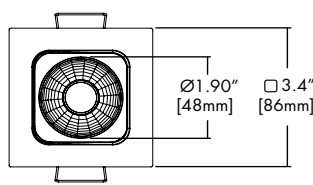
Square

TR
Trimmed

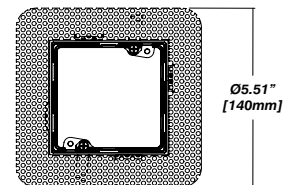


Downlight

TL
Trimless

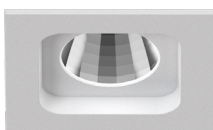


Ajustable

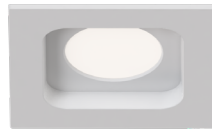


Lens

CL
Clear Lens

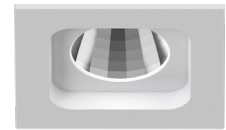


DL
Diffusing Lens



Optics

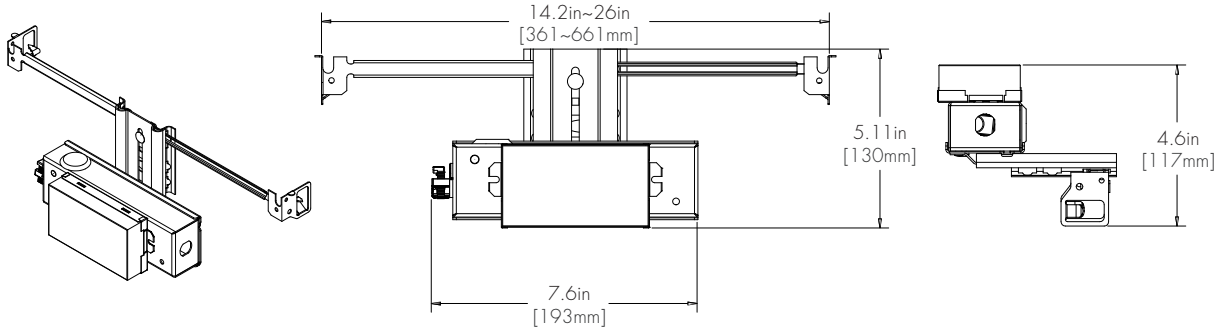
FXX (20°, 30°, 60°)
Faceted Reflector



Remote Driver Housing

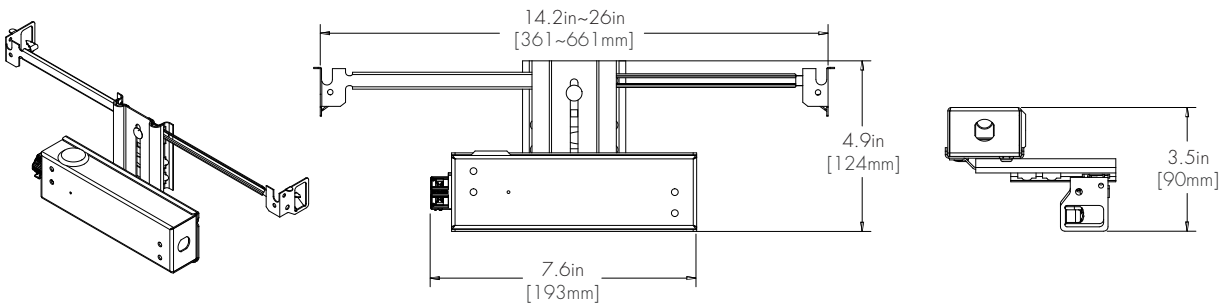
Maximum mounting distance to luminaire using 18 AWG wire								
PHSD	O10S	O103	O10L	O10G	DALI	DALI8	LUTE	DMX
16'	16'	16'	72'	72'	72'	72'	15'	149'

HRM Single with Externally Mounted Driver



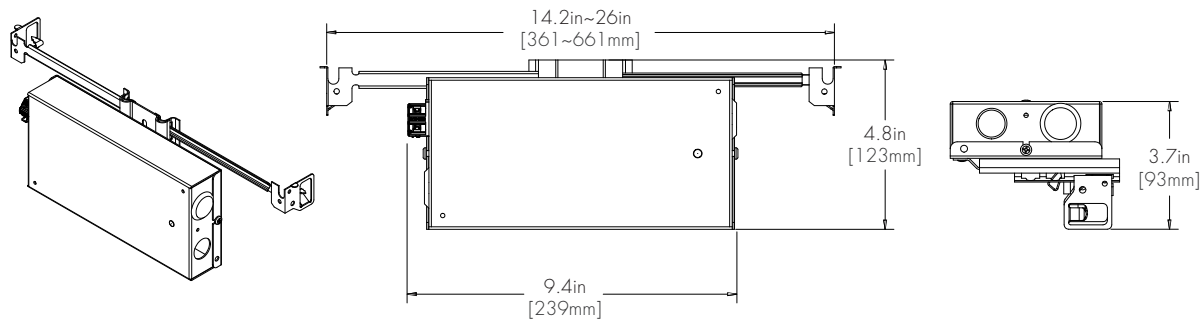
Driver	+	Driver Option
O10L	+	NA
O10G	+	NA
O10S	+	NA
DALI	+	NA
LUTE	+	NA

HRM Single



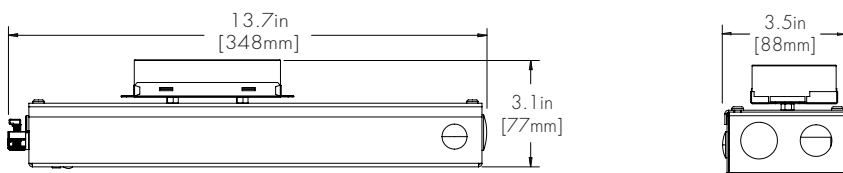
Driver	+	Driver Option
PHSD	+	NA

HRM Double



Driver	+	Driver Option
DALI8	+	NA
DMX	+	NA

EMG Emergency Driver (120 minutes EMG operation time)

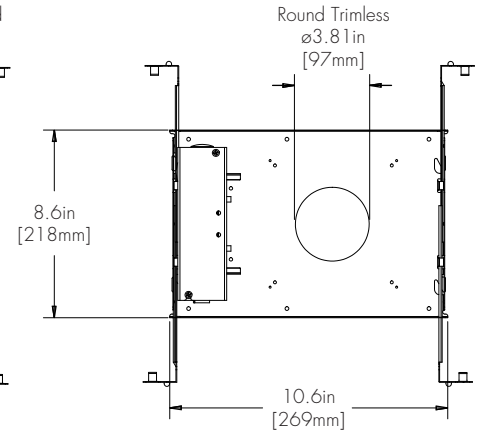
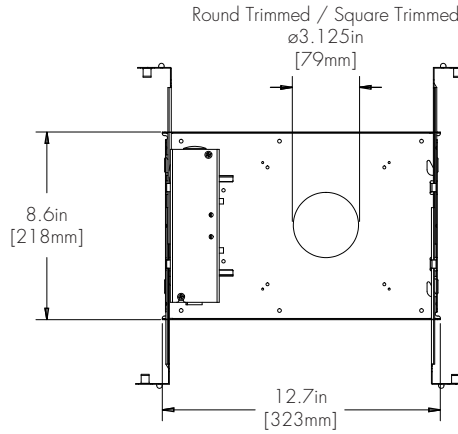
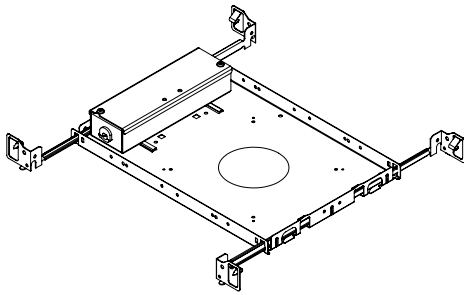


Driver	+	Driver Option
O10L	+	EMG
O10G	+	EMG
O10S	+	EMG
DALI	+	EMG
PHSD	+	EMG

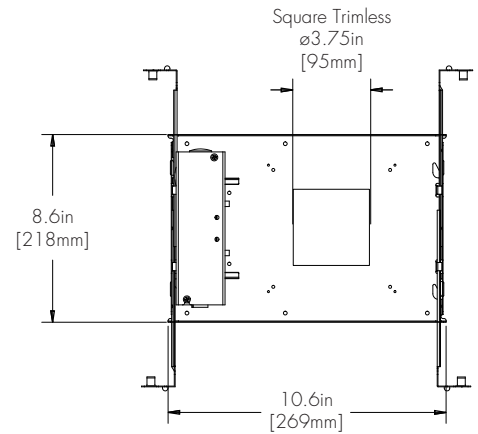
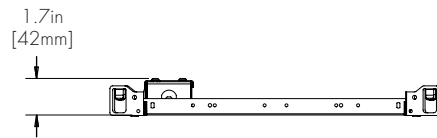
Remote Driver Housing

HP

New Construction Pan (Non-IC)

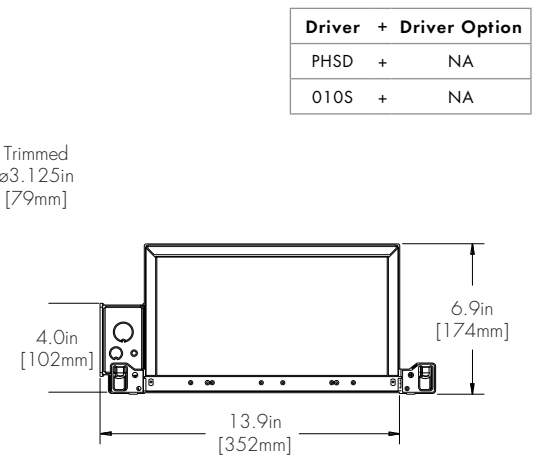
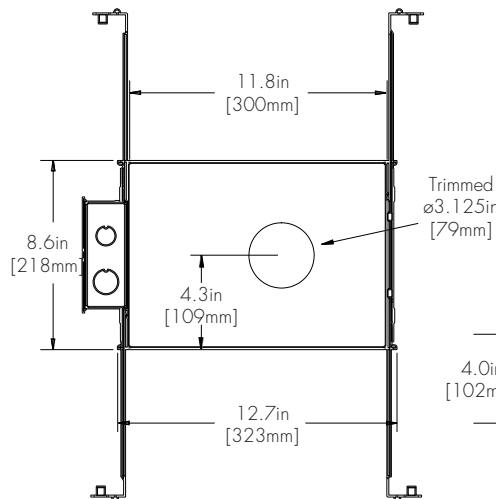
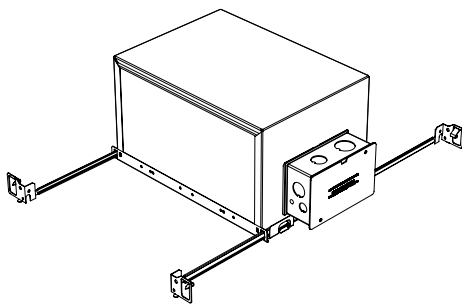


Driver	+	Driver Option
PHSD	+	NA
O10S	+	NA



HIC/HCP

Housing, IC Rated/ Housing, IC Rated, Chicago Plenum Rated



Standard Finish

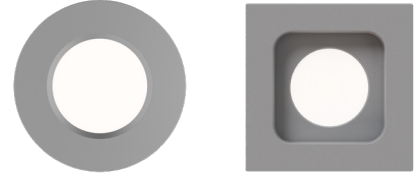
BK
Black



WH
White



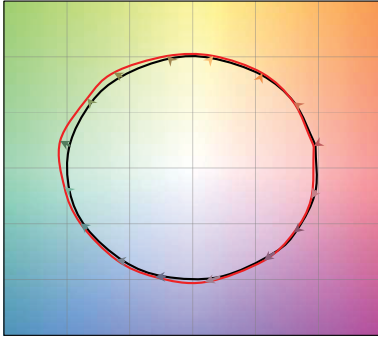
SL
Silver



TM-30

2500K

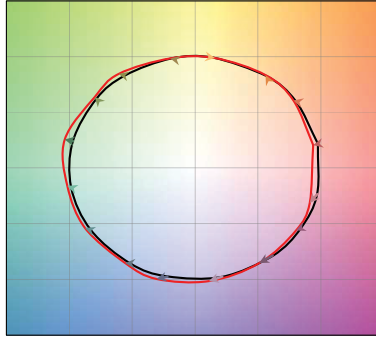
COLOR VECTOR GRAPHIC



— Reference Source — Test Source

2700K

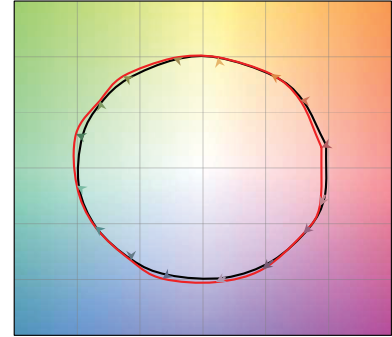
COLOR VECTOR GRAPHIC



— Reference Source — Test Source

3000K

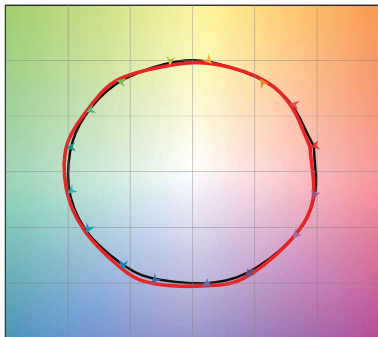
COLOR VECTOR GRAPHIC



— Reference Source — Test Source

3500K

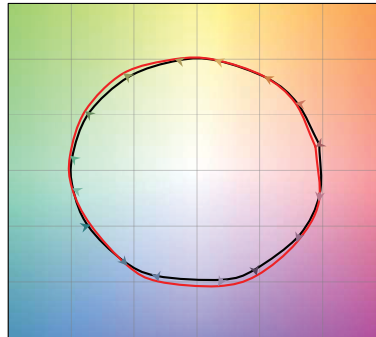
COLOR VECTOR GRAPHIC



— Reference Source — Test Source

4000K

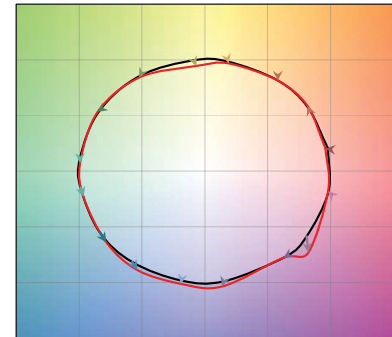
COLOR VECTOR GRAPHIC



— Reference Source — Test Source

6500K

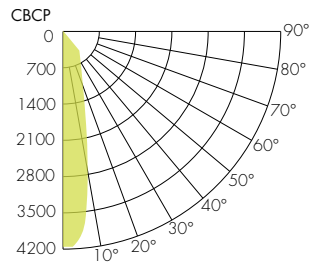
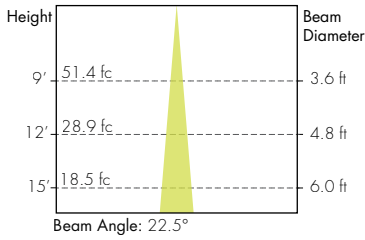
COLOR VECTOR GRAPHIC



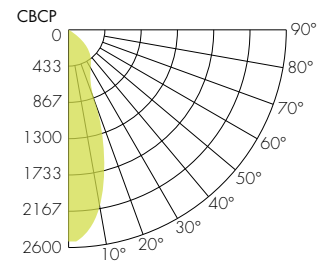
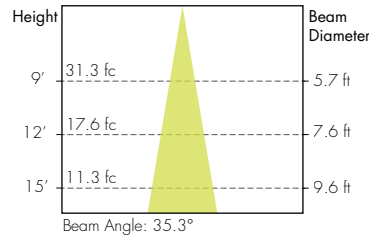
— Reference Source — Test Source

Photometry

20° Faceted Reflector



30° Faceted Reflector



60° Faceted Reflector

