

LineLED Wet 24V - Installation Instructions

Models LLWD51 WET-T



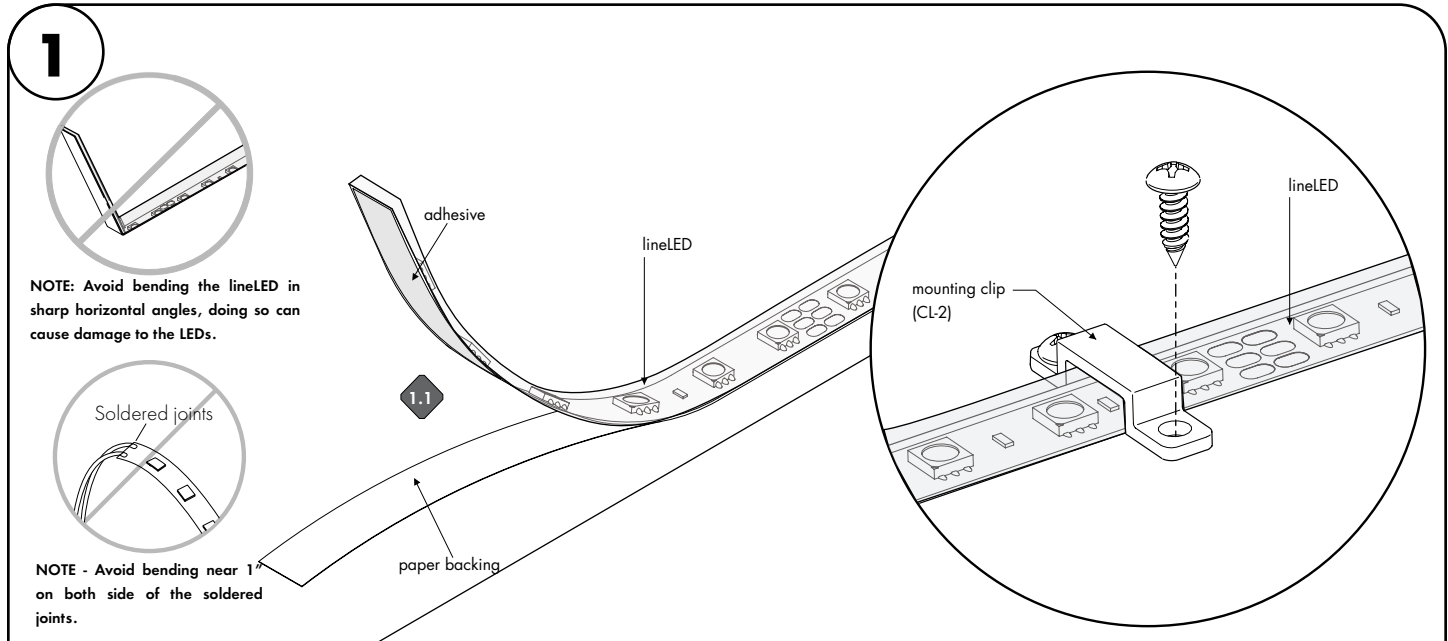
7777 Merrimac Ave
Niles, IL 60714
T 224.333.6033
F 224.757.7557
info@luminii.com
www.luminii.com

REVO.1
01272026

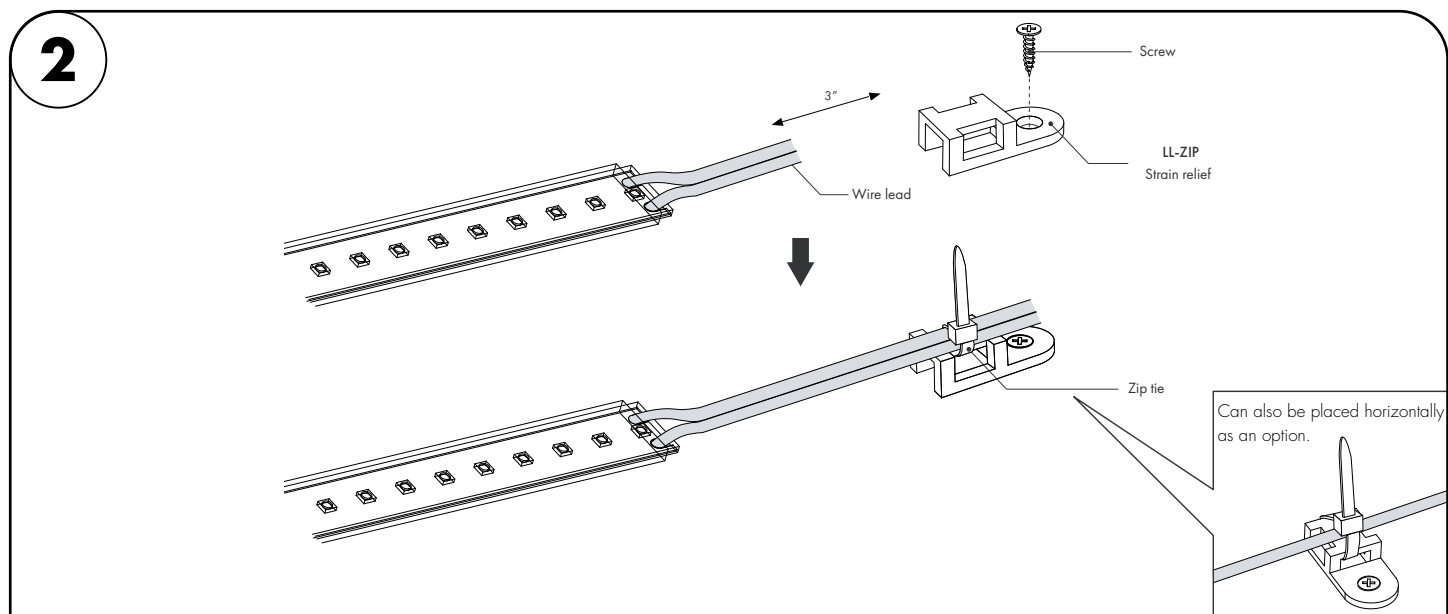
1 / 2

Please read all instructions prior to installation and keep for future reference!

1. PRODUCT SHOULD BE INSTALLED BY A QUALIFIED ELECTRICIAN
2. ENSURE POWER IS OFF AT FUSE BOX PRIOR TO INSTALLATION TO PREVENT ELECTRICAL SHOCK
3. USE ONLY WITH CLASS 2 POWER UNIT
4. SUITABLE FOR WET LOCATIONS
5. FOR UNDER-CABINET OR SHELF MOUNT
6. AVOID EXPOSURE TO DIRECT SUNLIGHT
7. NOT SUITABLE FOR APPLICATIONS WHERE LEDs CAN BECOME SUBMERGED



- 1.1 Remove paper backing from the lineLED and firmly press down. Making sure there are no air bubbles that can cause surface irregularities to the lineLED. **Do not remove the adhesive, removing the adhesive may cause arcing of the lineLED tape.**
- 1.2 If necessary, add a mounting clip every 12" for additional support.



- 2.1 Place the strain relief in desired place. Make sure it is 3" away from the end of the strip.
- 2.2 Slide the ziptie through strain relief opening.
- 2.3 Lay wire lead on top of strain relief.
- 2.4 Tighten zip tie around lead wire. Cut off excess zip tie.

LineLED Wet 24V - Installation Instructions

Models LLWD51 WET-T

Please read all instructions prior to installation and keep for future reference!

1. PRODUCT SHOULD BE INSTALLED BY A QUALIFIED ELECTRICIAN
2. ENSURE POWER IS OFF AT FUSE BOX PRIOR TO INSTALLATION TO PREVENT ELECTRICAL SHOCK
3. USE ONLY WITH CLASS 2 POWER UNIT
4. SUITABLE FOR WET LOCATIONS
5. FOR UNDER-CABINET OR SHELF MOUNT
6. AVOID EXPOSURE TO DIRECT SUNLIGHT
7. NOT SUITABLE FOR APPLICATIONS WHERE LEDS CAN BECOME SUBMERGED



REVO.1
01272026

2 / 2



7777 Merrimac Ave
Niles, IL 60714
T 224.333.6033
F 224.757.7557
info@luminii.com
www.luminii.com

Power Supply Wiring Diagram

Note: Prior to installation all 24VDC wires must be present near fixture. Refer to the power supply installation instructions for additional information.



Static White
[Wiring Diagram PDF](#)