

# LineLED Wet 24V - Installation Instructions

Models LLTW51-WET-T



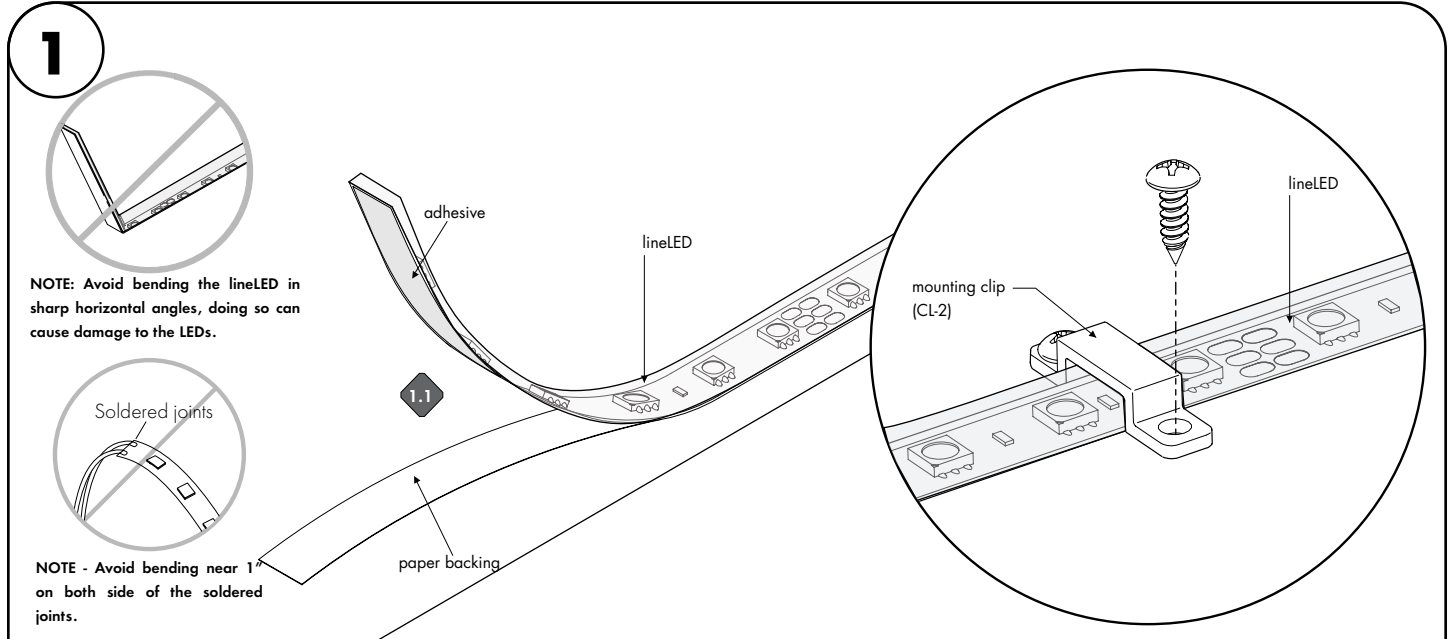
7777 Merrimac Ave  
Niles, IL 60714  
T 224.333.6033  
F 224.757.7557  
info@luminii.com  
www.luminii.com

REVO.1  
01272026

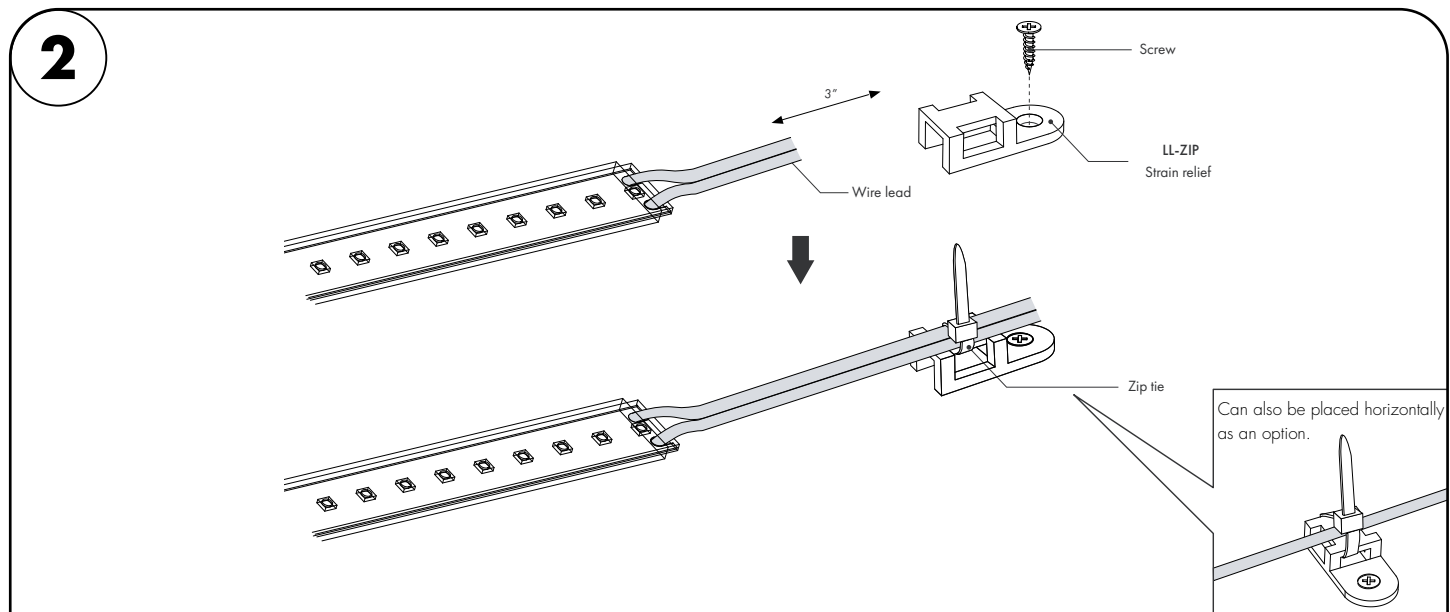
1 / 2

Please read all instructions prior to installation and keep for future reference!

1. PRODUCT SHOULD BE INSTALLED BY A QUALIFIED ELECTRICIAN
2. ENSURE POWER IS OFF AT FUSE BOX PRIOR TO INSTALLATION TO PREVENT ELECTRICAL SHOCK
3. USE ONLY WITH CLASS 2 POWER UNIT
4. SUITABLE FOR WET LOCATIONS
5. FOR UNDER-CABINET OR SHELF MOUNT
6. AVOID EXPOSURE TO DIRECT SUNLIGHT
7. NOT SUITABLE FOR APPLICATIONS WHERE LEDs CAN BECOME SUBMERGED



- 1.1 Remove paper backing from the lineLED and firmly press down. Making sure there are no air bubbles that can cause surface irregularities to the lineLED. Do not remove the adhesive, removing the adhesive may cause arcing of the lineLED tape.
- 1.2 If necessary, add a mounting clip every 12" for additional support.



- 2.1 Place the strain relief in desired place. Make sure it is 3" away from the end of the strip.
- 2.2 Slide the ziptie through strain relief opening.
- 2.3 Lay wire lead on top of strain relief.
- 2.4 Tighten zip tie around lead wire. Cut off excess zip tie.

# LineLED Wet 24V - Installation Instructions

Models LLTW51-WET-T

**Please read all instructions prior to installation and keep for future reference!**

1. PRODUCT SHOULD BE INSTALLED BY A QUALIFIED ELECTRICIAN
2. ENSURE POWER IS OFF AT FUSE BOX PRIOR TO INSTALLATION TO PREVENT ELECTRICAL SHOCK
3. USE ONLY WITH CLASS 2 POWER UNIT
4. SUITABLE FOR WET LOCATIONS
5. FOR UNDER-CABINET OR SHELF MOUNT
6. AVOID EXPOSURE TO DIRECT SUNLIGHT
7. NOT SUITABLE FOR APPLICATIONS WHERE LEDS CAN BECOME SUBMERGED



REVO.1  
01272026

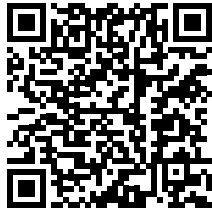
2 / 2



7777 Merrimac Ave  
Niles, IL 60714  
T 224.333.6033  
F 224.757.7557  
info@luminii.com  
www.luminii.com

## Power Supply Wiring Diagram

**Note:** Prior to installation all 24VDC wires must be present near fixture. Refer to the power supply installation instructions for additional information.



Tunable White  
[Wiring Diagram PDF](#)