



LLHE48



LLHE64

### Features

The High Efficacy (LLHE48 and LLHE64) series is a small form factor high performance constant voltage LED strip. Designed to deliver best in class efficacy while operating at low temperature, LLHE48 and LLHE64 deliver constant light output, outstanding color consistency and dimming performance without the need of an additional heat sink.

#### Mounting

LED strip is equipped with 3M™ adhesive transfer tape (9472LE).

#### Applications

Indoor only - millwork, cove, architectural reveals, undercabinet, display case, handrail, accent lighting.

#### Approvals

Class 2 damp listed

#### Operating voltage

24 VDC

#### Average Life (L90)

100,000 hours

#### Warranty

7 years



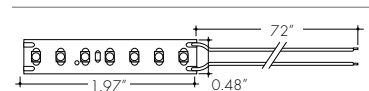
### Technical information

TYPE	LLHE48					LLHE64	
	LO-1W	LO	SO	MO	HO	VHO	XHO
<b>OUTPUT OPTIONS</b>							
Lumens Output (3000K)	128 lm/ft	265 lm/ft	367 lm/ft	490 lm/ft	786 lm/ft	995 lm/ft	1119 lm/ft
Average Power Consumption (for a 4' section)	1.0 W/ft	1.9 W/ft	2.8 W/ft	3.5 W/ft	6.5 W/ft	7.5 W/ft	9.6 W/ft
Efficacy	128 lm/W	139 lm/W	131 lm/W	140 lm/W	121 lm/W	133 lm/W	117 lm/W
Cutting Increment (in)	1.97"					1.51"	
Pitch Length	0.25"					0.19"	
Max Run Length (in series)	60 ft	48 ft	42 ft	33 ft	21 ft	15 ft	13 ft
Dimensions	0.48"W x 0.06" H					0.48"W x 0.06" H	

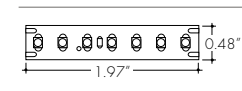
CCT	Multiplier (reference - 3000K)	CRI	TM-30		
			R <sub>f</sub>	R <sub>g</sub>	R <sub>9</sub>
2200K	0.73	92	91	97	42
2500K	0.81	93	96	96	62
2700K	0.94	92	90	99	58
3000K	1.00	92	89	99	57
3500K	1.02	92	89	99	60
4000K	1.02	92	86	94	71

#### Section Start/End Options

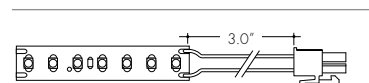
**SL**  
Soldered lead wires (72")



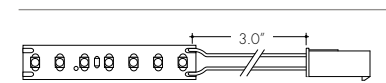
**NC**  
No connector



**LF**  
Lead Female 3" cable



**LM**  
Lead Male 3" cable



### Ordering code

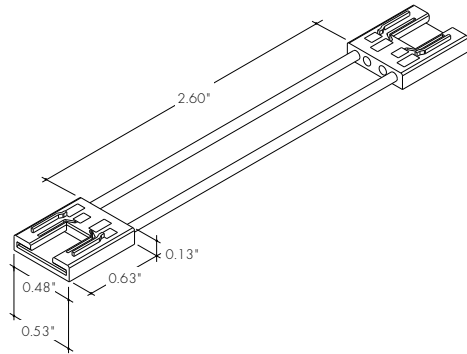
MODEL	OUTPUT	CCT	SECTION START	SECTION END	LENGTH
LLHE48 - LineLED HE 48	LO-1W - Low-1W LO - Low SO - Standard MO - Medium HO - High	22K - 2200K 25K - 2500K 27K - 2700K 30K - 3000K 35K - 3500K 40K - 4000K	SL - Soldered lead wires (72") NC - No connector LM - Lead Male LF - Lead Female	SL - Soldered lead wires (72") NC - No connector LM - Lead Male LF - Lead Female	Ordered in one foot increments. See chart above for max run length.
LLHE64 - LineLED HE 64	VHO - Very High XHO - Max				

**Minii Connectors**

Minii connectors are easy, field-installable accessories that make joining LL strip simple! Their minimal width allows them to fit into extrusions, while their transparent frame eliminates dark spots.  
**Note: verify internal extrusion dimensions to confirm compatibility**

**LL-PJC-12-03**

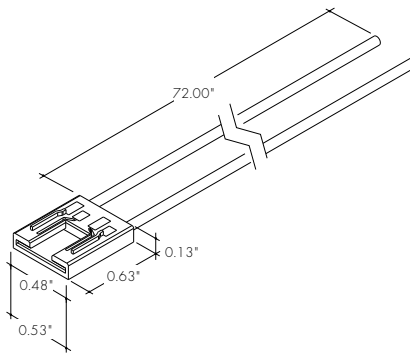
Jumper minii connector with 3" wire for LLHE LED strip



Not compatible with LLHE64

**LL-PFC-12-72**

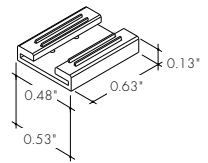
Power feed minii connector with 72" wire for LLHE LED strip



Not compatible with LLHE64

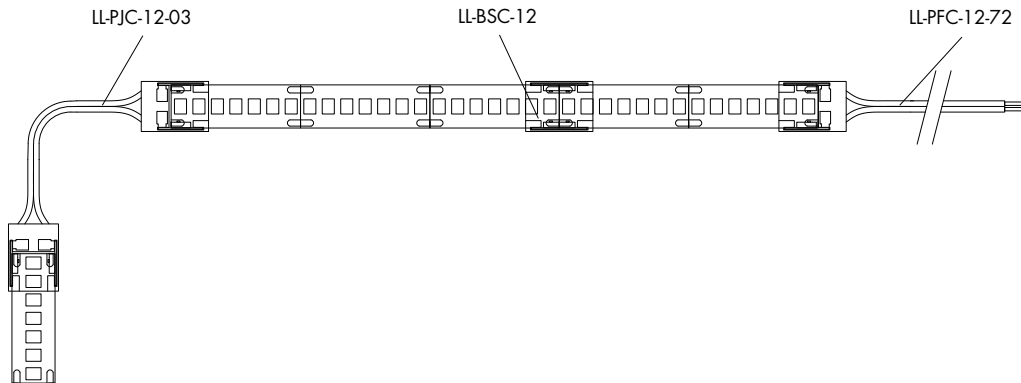
**LL-BSC-12**

Butt splice minii connector for LED strip



Not compatible with LLHE64

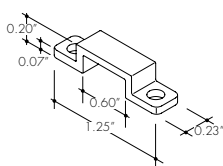
**Sample Layout**



**Accessories**

**CL2**

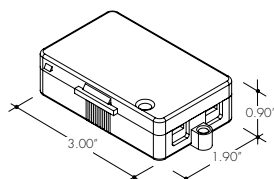
Silicon mounting Clip



recommended at every 12" when LineLED strip is facing down.

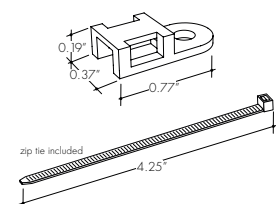
**LVSP-4T-BK**

Low Voltage, 4 Terminal Splice Box, Black



**LL.ZIP**

Cable/Wire Strain Relief Clip



**Lens Options / Light Transmission**



Clear



Half (50%)  
Frosted



Graze



Frosted



Flat  
Frosted



Raised



Square  
Frosted



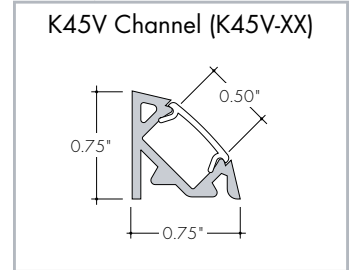
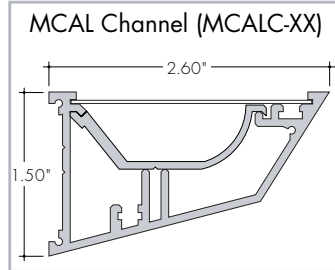
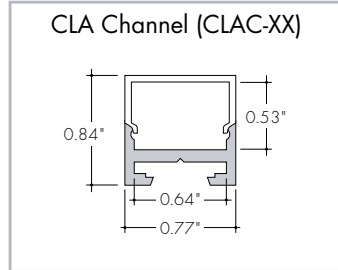
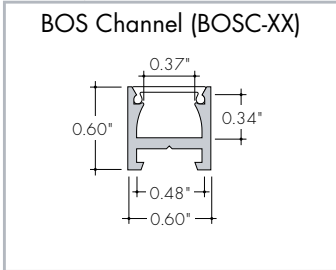
Round Square  
Frosted



13°  
Semi-Frosted

\*Not compatible with LLHE64-XHO  
\*Not compatible with Minii connectors

\*Not compatible with Minii connectors



**F** 52% **SI** 66% **R** 60% **G** 76%

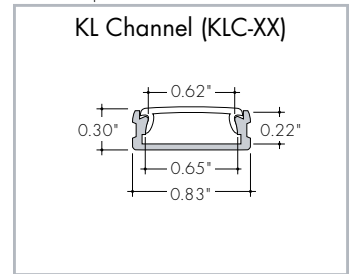
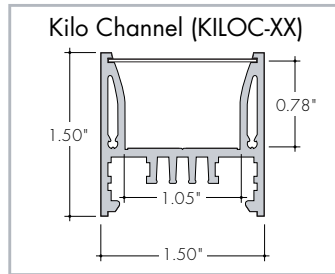
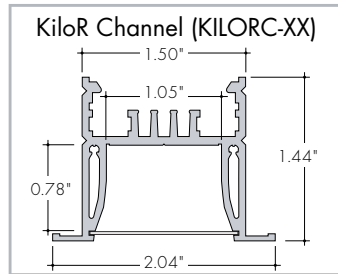
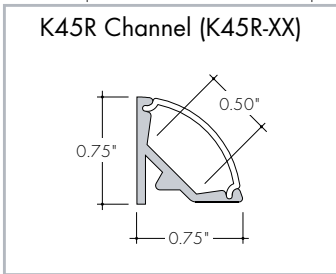
**S** 62% **Q** 65%

**C** 94%

**C** 82% **HF** 68% **F** 45% **13°** 75%

\*Not compatible with LLHE64-XHO output

\*Not compatible with LLHE64-XHO



**RF** 61%

**C** 85% **F** 75%

**C** 85% **F** 75%

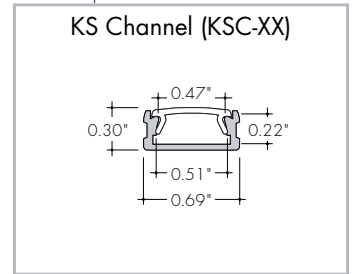
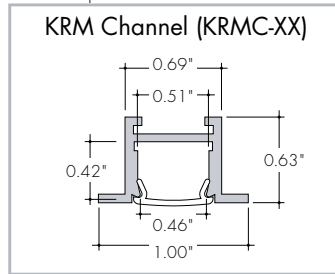
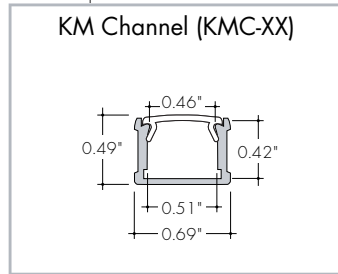
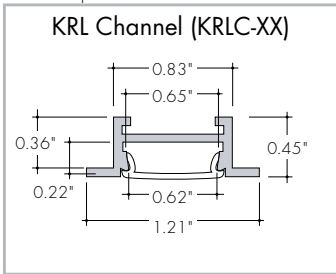
**C** 81% **HF** 67% **F** 51%

\*Not compatible with LLHE64-XHO

\*Not compatible with LLHE64-XHO  
\*Not compatible with Minii connectors

\*Not compatible with LLHE64-XHO  
\*Not compatible with Minii connectors

\*Not compatible with LLHE64-XHO  
\*Not compatible with Minii connectors



**C** 81% **HF** 67% **F** 51%

**C** 82% **HF** 68% **F** 45% **FF** 52% **R** 58% **GR** 56%

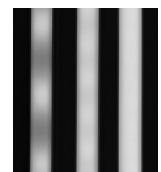
**C** 82% **HF** 68% **F** 45% **FF** 52% **GR** 56%

**C** 86% **HF** 71% **F** 56% **FF** 60% **R** 85% **M** 64%

**Led Dotting per Extrusion**

using the frosted lens option

Extrusion	LED Model LLHE48	LED Model LLHE64
<b>KSC, KRSC</b>	CD	ND
<b>KMC, KRMC, K45V</b>	ND	ND
<b>KXLC, KRXLC</b>	ND	ND
<b>K45V</b>	CD	CD
<b>K45R</b>	ND	ND
<b>KLC, KRLC</b>	CD	ND
<b>KILOC, KILORC</b>	ND	ND
<b>RO</b>	ND	ND
<b>RO15</b>	ND	ND
<b>BOSC</b>	ND	ND
<b>CLAC</b>	ND	ND
<b>MCAL</b>	ND	ND



**CD** - Clear Dotting  
**SD** - Slight Dotting  
**ND** - No Dotting

**Installation**

All mounting channels are field cuttable using miter saw with circular blade suitable for cutting aluminum.

**Ordering**

Extrusions are sold separately. View respective specsheets for details on ordering extrusions and their accessories (endcaps, mounting brackets, etc).

**C**  
Clear

**HF**  
Half (50%)  
Frosted

**GR**  
Graze

**F**  
Frosted

**FF**  
Flat  
Frosted

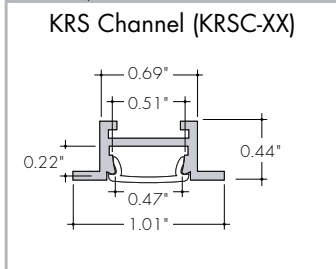
**R**  
Raised

**S**  
Square  
Frosted

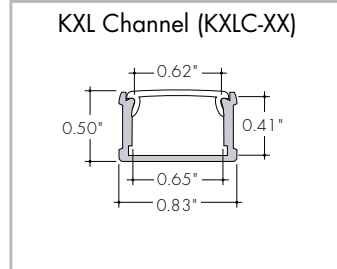
**Q**  
Round Square  
Frosted

**13°**  
13°  
Semi-Frosted

\*Not compatible with LLHE64-XHO  
\*Not compatible with Minii connectors

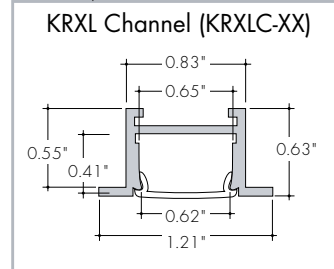


**C** **HF** **F** **FF** **M**  
86% 71% 56% 60% 64%

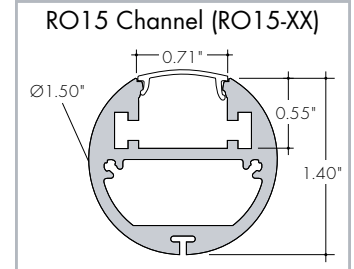


**C** **HF** **F**  
79% 66% 49%

\*Not compatible with LLHE64-XHO

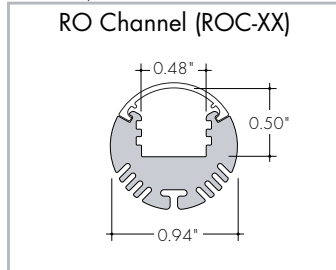


**C** **HF** **F**  
79% 66% 49%



**C** **F**  
65% 41%

\*Not compatible with Minii connectors



**C** **F**  
79% 50%

### Installation

All mounting channels are field cuttable using miter saw with circular blade suitable for cutting aluminum.

### Ordering

Extrusions are sold separately. View respective specsheets for details on ordering extrusions and their accessories (endcaps, mounting brackets, etc).

### Led Dotting per Extrusion

using the frosted lens option

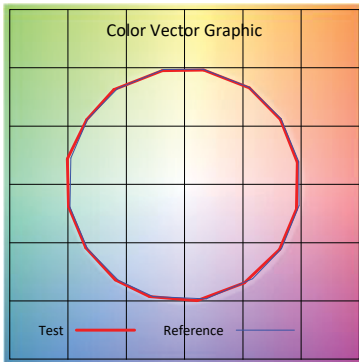
Extrusion	LED Model LLHE48	LED Model LLHE64
<b>KSC, KRSC</b>	CD	ND
<b>KMC, KRMC, K45V</b>	ND	ND
<b>KXLC, KRXLC</b>	ND	ND
<b>K45V</b>	CD	CD
<b>K45R</b>	ND	ND
<b>KLC, KRLC</b>	CD	ND
<b>KILOC, KILORC</b>	ND	ND
<b>RO</b>	ND	ND
<b>RO15</b>	ND	ND
<b>BOSC</b>	ND	ND
<b>CLAC</b>	ND	ND
<b>MCAL</b>	ND	ND



**CD SD ND**  
CD - Clear Dotting  
SD - Slight Dotting  
ND - No Dotting

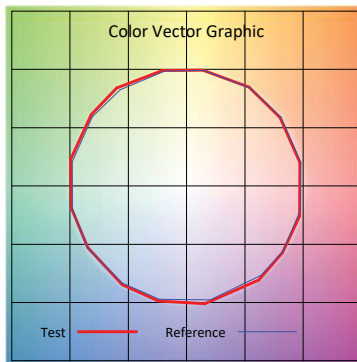
TM-30-15: Data

2200K



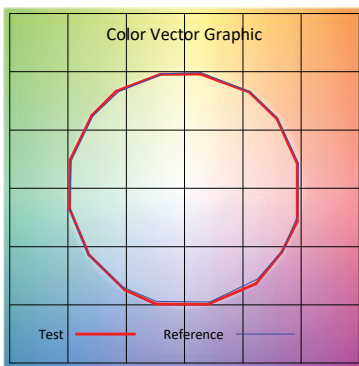
Hue Bin	Rf	Graphic Shifts (%)	
		Chroma	Hue
1	96.8	-1.4%	-0.2%
2	97.4	-0.7%	-0.3%
3	96.2	-0.5%	-0.4%
4	97.5	-0.8%	-1.0%
5	97.3	-0.8%	1.1%
6	95.4	1.0%	2.8%
7	98.1	0.5%	0.6%
8	95.7	2.8%	1.3%
9	97.0	1.1%	-0.8%
10	96.4	0.6%	-1.6%
11	96.0	1.3%	-2.2%
12	94.7	0.8%	-3.0%
13	92.0	0.2%	-7.8%
14	87.2	-1.1%	-7.9%
15	96.6	-0.9%	-1.7%
16	94.1	-1.6%	-3.2%

2400K



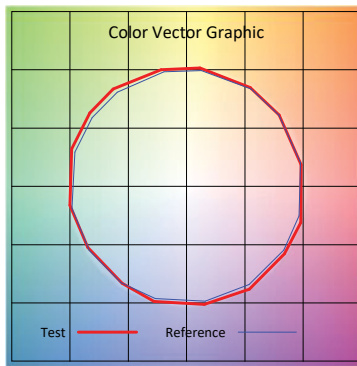
Hue Bin	Rf	Graphic Shifts (%)	
		Chroma	Hue
1	97.3	-0.7%	-0.6%
2	98.0	-0.7%	0.1%
3	96.7	0.1%	1.2%
4	97.4	0.0%	0.5%
5	97.0	1.0%	1.9%
6	95.0	2.9%	1.6%
7	96.4	1.7%	-0.9%
8	96.2	1.9%	-1.3%
9	97.2	0.4%	-1.1%
10	97.9	-0.3%	-0.3%
11	96.9	1.2%	1.2%
12	94.8	1.7%	-0.4%
13	93.6	2.2%	-4.9%
14	92.7	2.2%	-3.9%
15	96.7	0.4%	-2.0%
16	92.9	0.3%	-4.7%

2700K



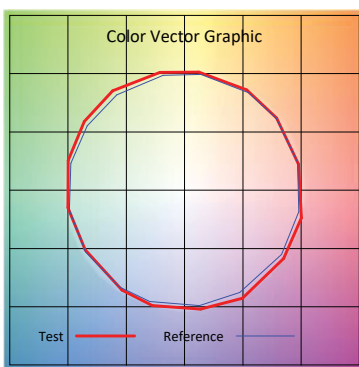
Hue Bin	Rf	Graphic Shifts (%)	
		Chroma	Hue
1	97.1	-1.0%	-0.6%
2	98.2	-0.7%	-0.2%
3	97.0	-0.5%	0.8%
4	97.1	-1.2%	0.2%
5	96.9	-0.1%	1.9%
6	96.2	1.7%	1.8%
7	97.3	0.8%	-0.1%
8	97.9	1.0%	-0.3%
9	98.2	-0.1%	-0.1%
10	96.8	-0.2%	1.5%
11	94.8	0.9%	3.0%
12	94.4	2.4%	0.2%
13	95.7	1.6%	-2.4%
14	94.2	2.7%	-3.1%
15	96.5	-0.0%	-1.4%
16	92.3	0.7%	-5.3%

3000K



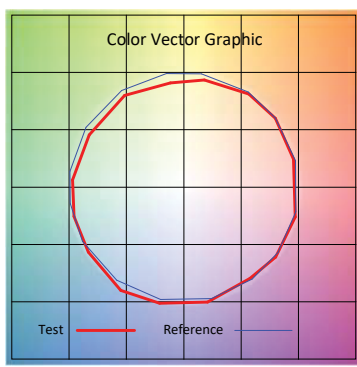
Hue Bin	Rf	Graphic Shifts (%)	
		Chroma	Hue
1	95.9	0.2%	-1.7%
2	97.4	0.2%	-0.2%
3	96.3	0.7%	1.2%
4	95.1	1.9%	1.6%
5	94.9	2.3%	2.1%
6	92.6	4.3%	1.2%
7	92.1	3.9%	-2.2%
8	93.1	3.3%	-2.3%
9	94.8	1.2%	-2.8%
10	94.6	-0.5%	-2.7%
11	96.2	-0.1%	1.0%
12	93.7	2.7%	-0.3%
13	95.7	2.5%	-1.3%
14	94.2	3.6%	-2.1%
15	94.2	2.2%	-2.5%
16	92.0	2.5%	-5.3%

3500K



Hue Bin	Rf	Graphic Shifts (%)	
		Chroma	Hue
1	96.4	0.5%	-1.5%
2	97.7	0.3%	0.2%
3	94.7	1.0%	2.2%
4	94.4	1.7%	2.2%
5	93.4	3.0%	2.3%
6	91.4	5.0%	1.0%
7	92.7	4.1%	-1.6%
8	94.1	2.8%	-2.1%
9	95.0	0.9%	-2.1%
10	95.9	-0.8%	-1.6%
11	93.5	1.1%	3.4%
12	91.7	3.1%	3.0%
13	95.3	3.1%	0.5%
14	93.0	5.3%	-0.8%
15	93.5	3.4%	-2.1%
16	90.9	3.2%	-4.6%

4100K



Hue Bin	Rf	Graphic Shifts (%)	
		Chroma	Hue
1	91.5	-1.3%	1.6%
2	95.3	-0.1%	-0.4%
3	95.4	-1.0%	-1.3%
4	89.1	-4.8%	-3.5%
5	86.6	-8.7%	-2.1%
6	91.9	-5.0%	0.5%
7	87.8	-6.2%	4.0%
8	86.7	-3.5%	6.7%
9	82.7	-1.2%	11.7%
10	81.6	1.0%	10.5%
11	84.5	5.4%	8.0%
12	92.6	3.3%	-0.3%
13	90.9	2.3%	3.9%
14	92.6	-1.5%	-1.5%
15	86.6	0.5%	-4.4%
16	86.7	0.5%	-4.7%

**Power Consumption**

Tested at full power with PDC Series power supplies.

Nominal Length	LLHE48-LO-1W		HE48LO		HE48SO		HE48MO		HE48HO		HE64VHO		HE64XHO	
	W/ft	Total Wattage	W/ft	Total Wattage	W/ft	Total Wattage	W/ft	Total Wattage	W/ft	Total Wattage	W/ft	Total Wattage	W/ft	Total Wattage
1	0.90	0.90	1.7	1.7	2.5	2.5	3.5	3.5	5.7	5.7	7.6	7.6	9.7	9.7
2	0.95	1.90	1.9	3.7	2.7	5.4	3.5	7.0	7.3	14.7	7.6	15.1	9.6	19.1
3	0.97	2.90	2.0	5.7	2.8	8.2	3.5	10.2	7.1	20.6	7.5	22.6	9.5	28.4
4	0.98	3.90	1.8	7.1	2.8	11.2	3.5	13.9	6.5	25.4	7.5	30.1	9.6	38.4
5	0.98	4.90	1.8	9.0	3.0	14.6	3.6	17.6	6.4	31.6	7.6	38.4	9.8	50.0
6	0.98	5.90	1.9	11.3	2.9	17.9	3.5	21.4	6.4	38.7	7.6	46.1	9.8	59.7
7	0.99	6.90	1.8	13.1	2.9	20.8	3.5	25.1	6.2	44.1	7.6	52.3	9.2	63.8
8	0.99	7.90	1.8	14.7	2.9	23.3	3.6	28.5	6.2	49.4	7.6	60.1	8.8	70.0
9	1.02	9.20	1.8	16.4	2.9	25.9	3.5	31.9	6.1	55.2	7.6	67.4	8.6	77.1
10	1.02	10.20	1.8	18.1	2.9	28.6	3.5	35.5	6.1	60.5	7.4	74.4	8.2	81.7
11	1.02	11.21	1.7	19.1	2.8	31.2	3.5	38.9	6.4	70.2	7.2	79.2	7.7	85.0
12	1.02	12.22	1.7	20.4	2.9	34.4	3.5	42.3	6.1	73.4	7.0	83.4	7.5	89.9
13	1.02	13.23	1.7	22.1	2.8	36.8	3.5	45.7	5.9	76.9	6.9	90.2	7.2	93.8
14	1.02	14.24	1.6	22.8	2.8	39.3	3.5	48.8	5.7	79.4	6.6	92.7		
15	1.02	15.25	1.6	23.5	2.8	41.9	3.5	52.1	5.5	82.0	6.3	95.2		
16	1.02	16.26	1.6	25.6	2.8	45.3	3.5	56.5	5.2	84.3				
17	1.02	17.27	1.7	28.5	2.8	48.1	3.5	59.4	5.0	86.2				
18	1.02	18.28	1.7	30.4	2.8	51.0	3.5	62.8	4.9	88.1				
19	1.02	19.29	1.8	33.6	2.8	53.3	3.5	65.8	4.7	90.2				
20	1.02	20.30	1.8	35.8	2.8	56.0	3.5	69.0	4.6	91.5				
21	1.01	21.31	1.8	37.7	2.8	59.4	3.4	71.4	4.4	93.1				
22	1.01	22.32	1.8	39.5	2.8	61.3	3.3	73.5						
23	1.01	23.33	1.8	41.4	2.8	64.4	3.3	75.4						
24	1.01	24.34	1.8	43.1	2.8	66.0	3.2	77.2						
25	1.01	25.35	1.9	46.2	2.7	68.1	3.2	78.8						
26	1.01	26.36	1.9	48.2	2.7	70.7	3.1	79.8						
27	1.01	27.37	1.9	50.4	2.7	72.0	3.0	81.4						
28	1.01	28.38	1.9	52.2	2.6	73.6	3.0	82.9						
29	1.01	29.39	1.9	53.9	2.6	74.7	2.9	84.2						
30	1.01	30.40	1.9	57.7	2.5	76.1	2.9	86.1						
31	1.01	31.38	1.9	59.6	2.5	77.0	2.8	87.6						
32	1.01	32.36	1.9	61.4	2.4	77.7	2.8	89.2						
33	1.01	33.34	1.9	63.3	2.4	78.9	2.7	90.7						
34	1.01	34.32	1.9	65.0	2.3	78.0								
35	1.01	35.30	1.9	65.4	2.2	78.1								
36	1.01	36.28	1.9	67.1	2.2	79.5								
37	1.01	37.26	1.9	69.3	2.2	80.4								
38	1.01	38.24	1.9	71.1	2.1	80.9								
39	1.01	39.22	1.9	73.0	2.1	81.0								
40	1.01	40.20	1.9	74.7	2.0	81.2								
41	1.00	41.00	1.9	76.0	2.0	82.6								
42	1.01	42.00	1.8	77.3	2.0	83.0								
43	1.00	42.90	1.8	78.6										
44	1.00	43.80	1.8	79.9										
45	1.00	44.70	1.8	81.1										
46	1.00	45.60	1.8	81.8										
47	1.00	46.50	1.8	82.5										
48	1.00	47.40	1.7	83.1										
49	1.00	48.20												
50	0.99	49.60												
51-60	0.99	59.40												

## Voltage Drop Calculator

The below chart assumes nominal voltage of 24 Volts and a Voltage Drop Allowance of 3% through the wire

Wattage [W]	Maximum Wire Length From Power Supply to Start of Run [ft]						
	12 AWG	14 AWG	16 AWG	18 AWG	20 AWG	22 AWG	24 AWG
<b>5</b>	1088.2	684.4	430.3	270.6	170.2	107.1	67.3
<b>10</b>	544.1	342.2	215.1	135.3	85.1	53.5	33.7
<b>15</b>	362.7	228.1	143.4	90.2	56.7	35.7	22.4
<b>20</b>	272.0	171.1	107.6	67.7	42.6	26.8	16.8
<b>25</b>	217.6	136.9	86.1	54.1	34.0	21.4	13.5
<b>30</b>	181.4	114.1	71.7	45.1	28.4	17.8	11.2
<b>35</b>	155.5	97.8	61.5	38.7	24.3	15.3	9.6
<b>40</b>	136.0	85.5	53.8	33.8	21.3	13.4	8.4
<b>45</b>	120.9	76.0	47.8	30.1	18.9	11.9	7.5
<b>50</b>	108.8	68.4	43.0	27.1	17.0	10.7	6.7
<b>55</b>	98.9	62.2	39.1	24.6	15.5	9.7	6.1
<b>60</b>	90.7	57.0	35.9	22.6	14.2	8.9	5.6
<b>65</b>	83.7	52.6	33.1	20.8	13.1	8.2	5.2
<b>70</b>	77.7	48.9	30.7	19.3	12.2	7.6	4.8
<b>75</b>	72.5	45.6	28.7	18.0	11.3	7.1	4.5
<b>80</b>	68.0	42.8	26.9	16.9	10.6	6.7	4.2
<b>85</b>	64.0	40.3	25.3	15.9	10.0	6.3	4.0
<b>90</b>	60.5	38.0	23.9	15.0	9.5	5.9	3.7
<b>96</b>	56.7	35.6	22.4	14.1	8.9	5.6	3.5

**Power Supplies**

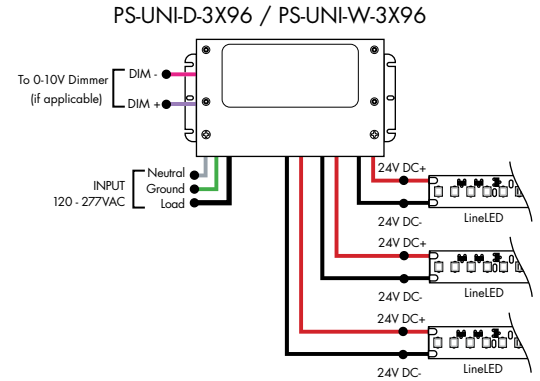
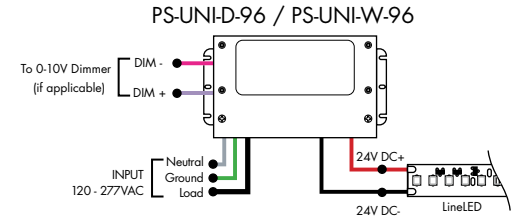
See Power Supply instructions and spec sheet for wiring information. For a complete list of compatible dimmers, see Compatible Dimming Chart on the Resources page.

**Ordering Code Universal Dimming Power Supplies 1% 120VAC - 277VAC**

MODEL	INPUT CONTROL	ENVIRONMENT	WATTAGE	OUTPUT
PS-Power Supply, 120-277VAC	UNI-0-10V Dimming, Phase Dimming	D-Dry W-Wet	30-30 Watts 60-60 Watts 96-96 Watts 3x96-3x96 Watts	24-24 VDC

Compatibility: View a complete list of compatible dimmers on product page [\(Link\)](#)

0-10V - 1% dimming  
MLV/ELV/TRIAC - 1% dimming, consult dimming compatibility chart



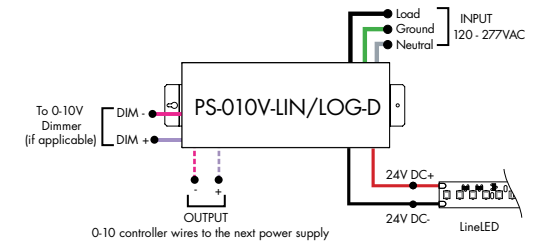
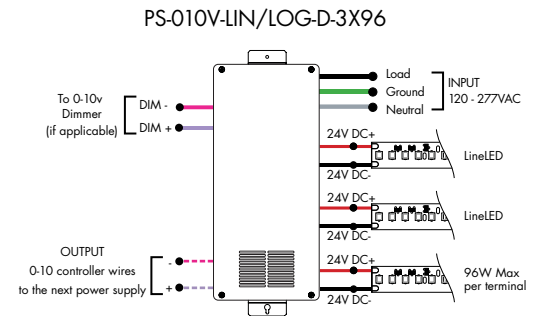
MODELS	PS-UNI-W-30W	PS-UNI-W-60W	PS-UNI-W-96W	PS-UNI-W-3X96W
<b>Length</b>	6.50"	7.40"	8.66"	11.85"
<b>Width</b>	3.73"	3.73"	3.73"	4.32"
<b>Depth</b>	1.61"	1.61"	1.61"	1.81"

MODELS	PS-UNI-D-30W	PS-UNI-D-60W	PS-UNI-D-96W	PS-UNI-D-3X96W
<b>Length</b>	8.77"	8.77"	8.11"	9.94"
<b>Width</b>	4.27"	4.27"	5.60"	7.61"
<b>Depth</b>	1.83"	1.83"	1.83"	2.02"

**Ordering Code 0-10V Dimming Power Supplies 0.1% 120VAC - 277VAC**

MODEL	INPUT CONTROL	ENVIRONMENT	WATTAGE	OUTPUT
PS-Power Supply, 120-277VAC	010V-LIN-0-10V Dimming (0.1%), Linear 010V-LOG-0-10V Dimming (0.1%), Logarithmic	D-Dry	96-96 Watts 3X96-3x96 Watts	24-24 VDC

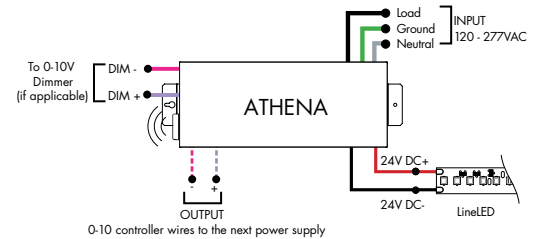
MODELS	96W	3X96
<b>Length</b>	14.40"	15.00"
<b>Width</b>	5.20"	6.62"
<b>Depth</b>	2.60"	4.45"



**Athena 0-10V LED Driver**

MODEL	INPUT CONTROL	ENVIRONMENT	WATTAGE	OUTPUT	FEATURE
PS-Power Supply, 120-277VAC	010V-LIN-0-10V Dimming, Linear 010V-LOG-0-10V Dimming, Logarithmic	D-Dry	96-96 W	24-24 VDC	AWNR-Athena

MODELS	96W
<b>Length</b>	14.40"
<b>Width</b>	5.20"
<b>Depth</b>	2.60"





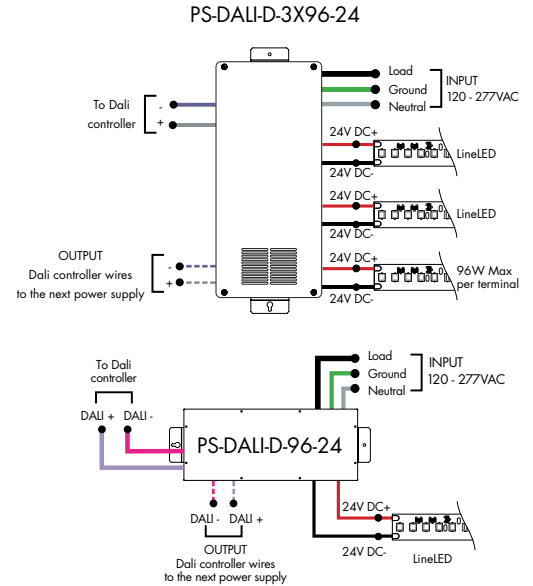
**Power Supplies**

See Power Supply instructions and spec sheet for wiring information. For a complete list of compatible dimmers, see Compatible Dimming Chart on the Resources page.

**Ordering Code DALI1 Dimming Power Supplies 0.1% 120VAC - 277VAC**

MODEL	INPUT CONTROL	ENVIRONMENT	WATTAGE	OUTPUT
PS-Power Supply, 120-277VAC	DALI-DALI (0.1%)	D-Dry	96-96 Watts 3X96-3X96 Watts	24-24 VDC

Model	96W	3X96
Length	14.40"	15.00"
Width	5.20"	6.62"
Depth	2.60"	4.56"

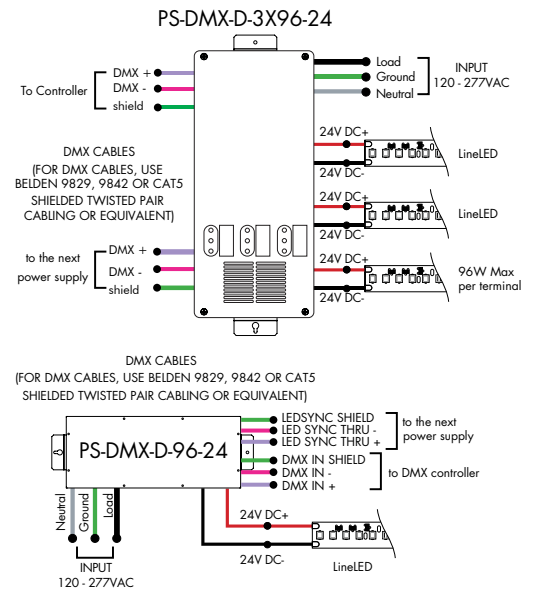


**Ordering Code DMX Dimming Power Supplies 0.1% 120VAC - 277VAC** Requires Zonal Control

MODEL	INPUT CONTROL	ENVIRONMENT	WATTAGE	OUTPUT
PS-Power Supply, 120-277VAC	DMX-DMX (0.1%)	D-Dry	96-96 Watts 3X96-3X96 Watts	24-24 VDC

\*Zonal control power supplies. Control multiple tapes/zones using DMX channels.

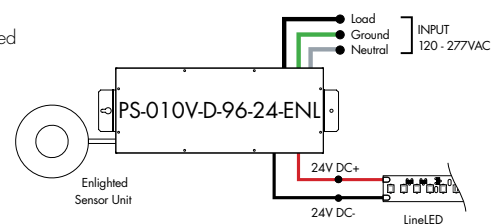
MODELS	96W	3X96
Length	14.40"	15.00"
Width	5.20"	6.62"
Depth	2.60"	4.56"



**Ordering Code Enlightened Enabled Dimming Power Supplies 1% 120VAC - 277VAC**

MODEL	INPUT CONTROL	ENVIRONMENT	WATTAGE	OUTPUT	FEATURE
PS-Power Supply, 120-277VAC	010V-0-10V Dimming (1%)	D-Dry	96-96 Watts	24-24 VDC	ENL-0-10V Enlightened

Model	96W
Length	14.40"
Width	5.20"
Depth	2.60"

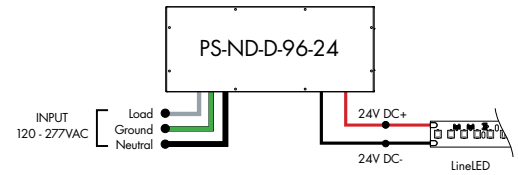


### Power Supplies

See Power Supply instructions and spec sheet for wiring information. For a complete list of compatible dimmers, see Compatible Dimming Chart on the Resources page.

#### Ordering Code Non-Dimming Power Supply 120VAC - 277VAC

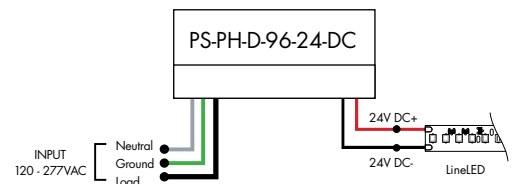
MODEL	INPUT CONTROL	ENVIRONMENT	WATTAGE	OUTPUT
PS - Power Supply, 120-277VAC	ND - Non Dimming	D - Dry	96-96 Watts	24 - 24 VDC



MODELS	96W
Length	14.40"
Width	5.20"
Depth	2.60"

#### Ordering Code Phase Dimming Power Supply 1% 120VAC - 277VAC

MODEL	INPUT CONTROL	ENVIRONMENT	WATTAGE	OUTPUT	OUTPUT CONTROL
PS - Power Supply, 120-277VAC	PH - Phase Dimming (Triac, ELV, MLV)	D - Dry	96-96 Watts	24-24 VDC	DC - Direct Current



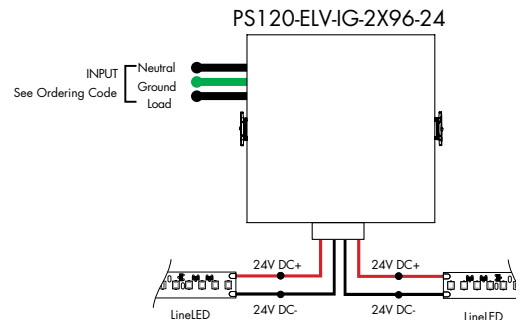
NOTE:  
OVER THE WHITE, GREEN, AND BLACK WIRES,  
CONNECT TO ELV OR MLV DIMMER

MLV/ELV/TRIAC - 1% dimming, consult dimming compatibility chart ([link](#))

MODELS	96W
Length	8.25"
Width	4.10"
Depth	1.56"

#### Ordering Code In-Ground Power Supplies

MODEL	INPUT CONTROL	ENVIRONMENT	WATTAGE	OUTPUT
PS120 - Power Supply, 120VAC PS240 - Power Supply, 240VAC PS277 - Power Supply, 277VAC	ELV - ELV Dimming (1%)	IG - In Ground	2X96 - 2X96 Watts	24 - 24 VDC



MODELS	2X96W
Length	8.40"
Width	8.30"
Depth	8.10"

**Power Supplies**

See Power Supply instructions and spec sheet for wiring information. For a complete list of compatible dimmers, see Compatible Dimming Chart on the Resources page.



Luminii is a Lutron OEM Advantage Partner

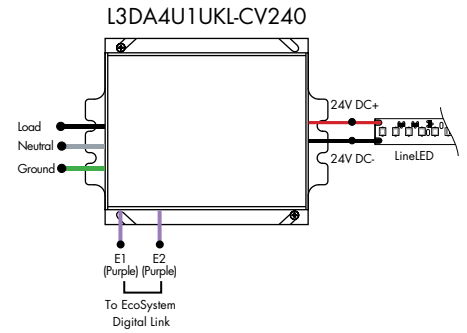
**Lutron Power Supplies 1%**

MODEL

**L3DA4U1UKL-CV240**

HiLume™ 1% EcoSystem Voltage LED driver  
40W max

MODELS	L3DA4U1UKL-CV240
<b>Length</b>	4.98"
<b>Width</b>	4.00"
<b>Depth</b>	2.62"



Luminii is a Lutron OEM Advantage Partner

**Lutron Power Supplies 0.1%**

MODEL

**L3D0-96W24V-U**

HiLume™ 0.1% EcoSystem Voltage LED Driver with Soft-On, Fade-to-Black™  
96W max

MODELS	L3D0
<b>Length</b>	10.50"
<b>Width</b>	5.50"
<b>Depth</b>	2.00"

