

Features

LineLED Flex 18 is a small profile, high output LED strip specially designed for installations with horizontal plane bend. Bending sections every 1.30" on center allow the LineLED Flex 18 to fit around tight curves. 18LEDs per foot.



Mounting

LED strip is equipped with 3M™ adhesive transfer tape (9472LE).

Applications

Indoor only - millwork, cove, architectural reveals, undercabinet, display case, handrail, accent lighting.

Approvals

Class 2 damp listed

Operating voltage

24 VDC

Average Life (L70)

50,000 hours

Warranty

7 years



Technical information

TYPE	LLFLEX18
Lumens Output (3000K)	300 lum/ft
Average Power Consumption (for a 4" section)	2.65 W/ft
Cutting Increment (in)	4.00"
Pitch Length	0.66"
Max Run Length (in series)	22 ft
Dimensions	0.39" W x 0.05" H

CCT	Multiplier (reference - 3000K)	TM-30			
		CRI	R _f	R _g	R ₉
2200K	0.87	82	81	99	90
2400K	0.73	98	95	101	89
2700K	0.81	98	95	102	91
3000K	1.00	91	90	101	91
3500K	1.05	95	90	97	97
4100K	1.28	93	88	96	97

Section Start/End Options

SL
Soldered lead wires (72")

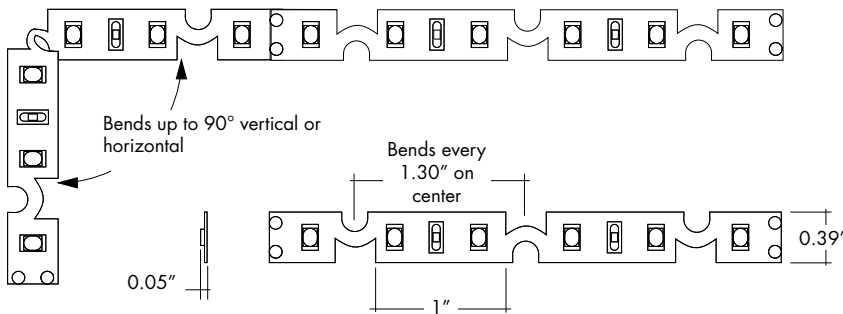
LM
Lead Male 3" cable

LF
Lead Female 3" cable

NC
No connector



Product Dimension



Ordering code

MODEL	CCT	SECTION START ¹	SECTION END ¹	LENGTH
LLFLEX18 - LineLED Flex 18	22K - 2200K 24K - 2400K 27K - 2700K 30K - 3000K 35K - 3500K 41K - 4100K	SL - Soldered lead wires NC - (72") LM - No connector LF - Lead Male Lead Female	SL - Soldered lead wires NC - (72") LM - No connector LF - Lead Male Lead Female	4" increments - up to 22'

Minii Connectors

Minii connectors are easy, field-installable accessories that make joining LL strip simple! Their minimal width allows them to fit into extrusions, while their transparent frame eliminates dark spots.
Note: verify internal extrusion dimensions to confirm compatibility

LL-PJC-10-03

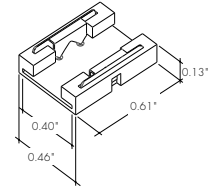
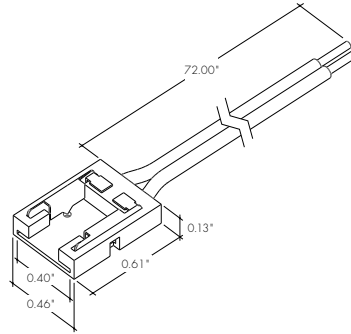
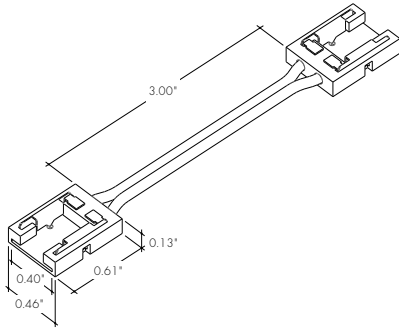
Jumper minii connector with 3" wire for LL42/72 LED strip

LL-PFC-10-72

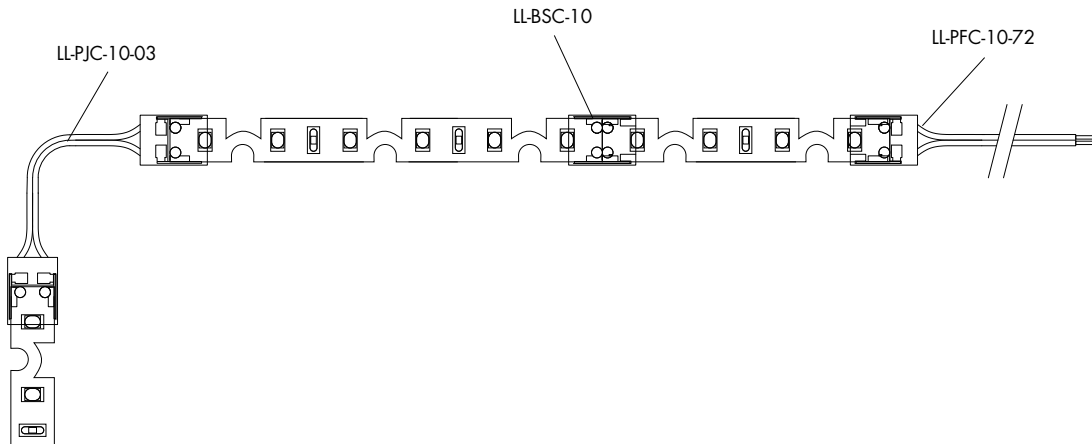
Power feed minii connector with 72" wire for LL42/72 LED strip

LL-BSC-10

Butt splice minii connector for LL42/72 LED strip



Sample Layout



Accessories

CL1

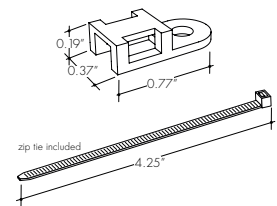
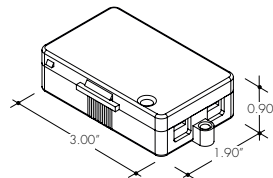
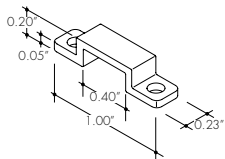
Mounting clip

LVSP-4T-BK

Low Voltage, 4 Terminal Splice Box, Black

LL.ZIP

Cable/Wire Strain relief clip



Recommended every 12" when LineLED strip is facing down

Lens Options / Light Transmission



Clear



Half (50%)
Frosted



Graze



Frosted



Flat
Frosted



Raised



Square
Frosted

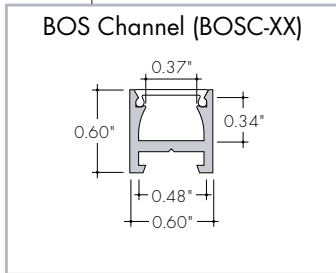


Round Square
Frosted

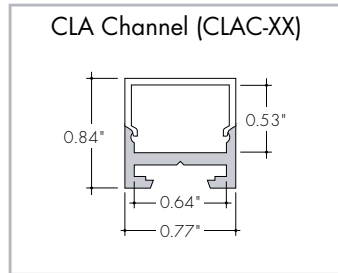


13°
Semi-Frosted

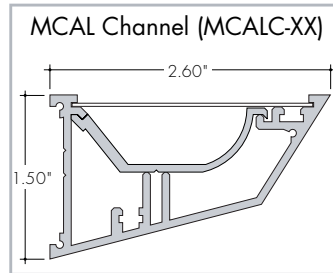
*Not compatible with Minii connectors



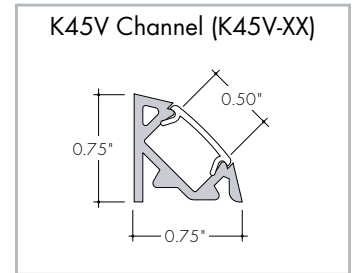
F **SI** **R** **G**
52% 66% 60% 76%



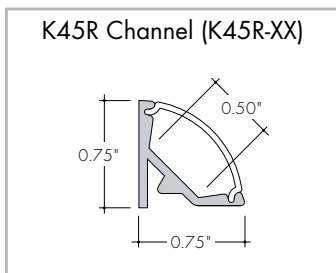
S **Q**
62% 65%



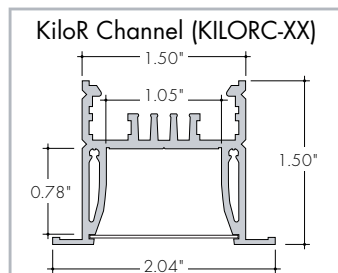
C
94%



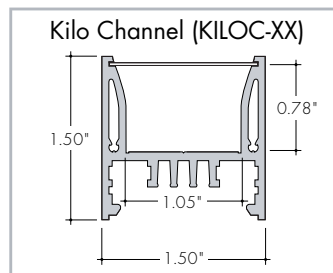
C **HF** **F** **13°**
82% 68% 45% 75%



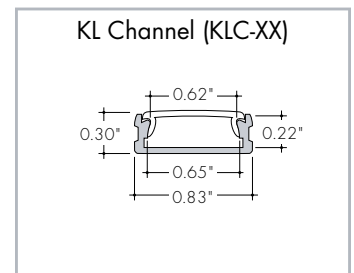
RF
61%



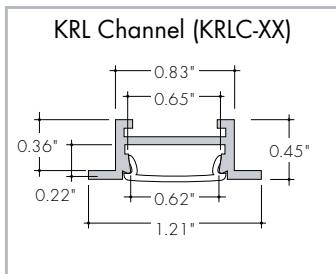
C **F**
85% 75%



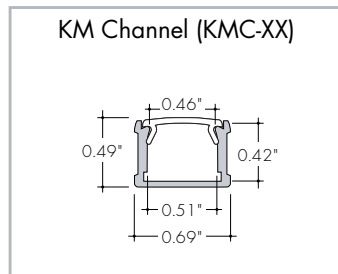
C **F**
85% 75%



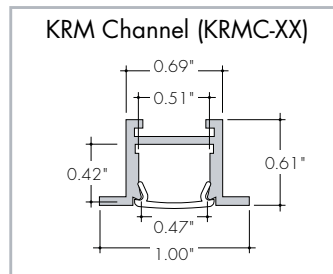
C **HF** **F**
81% 67% 51%



C **HF** **F**
81% 67% 51%

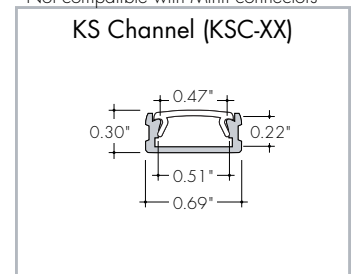


C **HF** **F** **FF** **R** **GR**
82% 68% 45% 52% 58% 56%



C **HF** **F** **FF** **GR**
82% 68% 45% 52% 56%

*Not compatible with Minii connectors



C **HF** **F** **FF** **R** **M**
86% 71% 56% 60% 85% 64%

Installation

All mounting channels are field cuttable using miter saw with circular blade suitable for cutting aluminum.

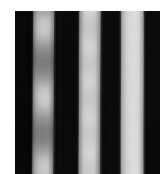
Ordering

Extrusions are sold separately. View respective specsheets for details on ordering extrusions and their accessories (endcaps, mounting brackets, etc).

Led Dotting per Extrusion

using the frosted lens option

Extrusion	LED Model L1FLEX18
KSC, KRSC	CD
KMC, KRMC, K45V	CD
KXLC, KRXLC	SD
KLC, KRLC	CD
KILOC, KILORC	SD
RO15	SD
BOSC	CD
CLAC	SD
MCAL	ND



CD **SD** **ND**
CD - Clear Dotting
SD - Slight Dotting
ND - No Dotting

Lens Options / Light Transmission



Clear



Half (50%)
Frosted



Graze



Frosted



Flat
Frosted



Raised



Square
Frosted

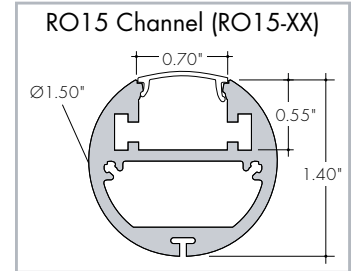
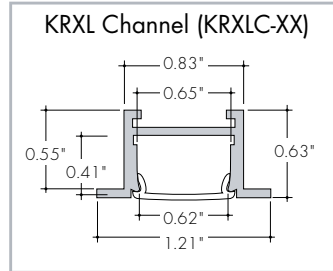
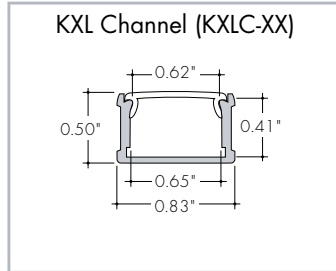
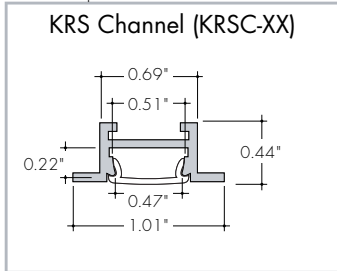


Round Square
Frosted



13°
Semi-Frosted

*Not compatible with Minii connectors

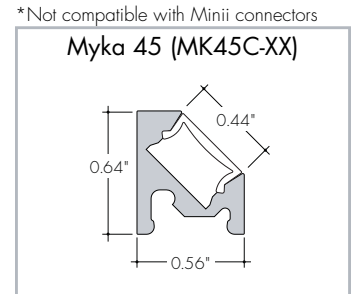
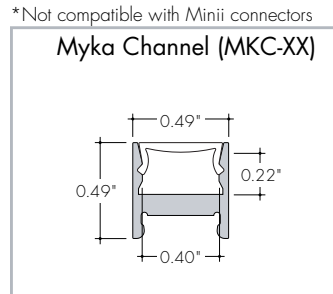
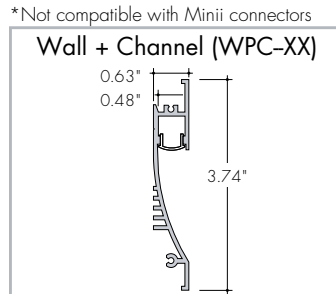
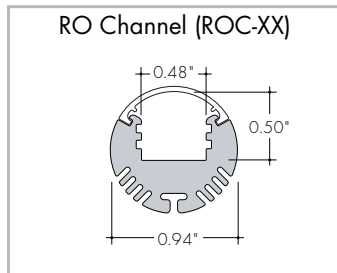


C	HF	F	FF	M
86%	71%	56%	60%	64%

C	HF	F
79%	66%	49%

C	HF	F
79%	66%	49%

C	F
65%	41%



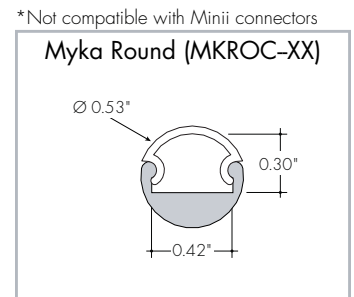
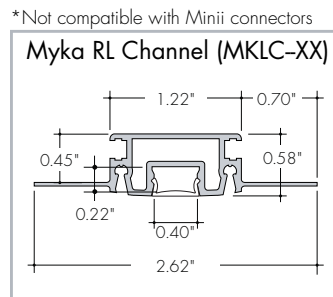
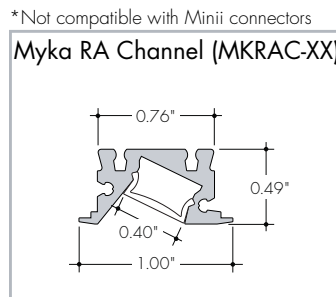
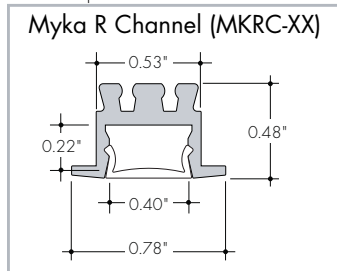
C	F
79%	50%

F
65%

C	F	HF	MF	BLV	WLV
73%	61%	57%	45%	37%	25%

C	F	HF	MF	BLV	WLV
73%	61%	57%	45%	37%	25%

*Not compatible with Minii connectors



C	F	HF	MF	BLV	WLV
73%	61%	57%	45%	37%	25%

C	F	HF	MF	BLV	WLV
73%	61%	57%	45%	37%	25%

C	F	HF	MF	BLV	WLV
73%	61%	57%	45%	37%	25%

RF
57%

Installation

All mounting channels are field cuttable using miter saw with circular blade suitable for cutting aluminum.

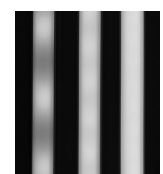
Ordering

Extrusions are sold separately. View respective specsheets for details on ordering extrusions and their accessories (endcaps, mounting brackets, etc).

Led Dotting per Extrusion

using the frosted lens option

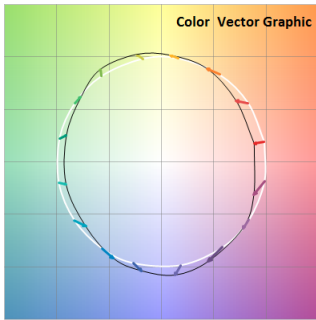
Extrusion	LED Model LIFLEX18
KSC, KRSC	CD
KMC, KRMC, K45V	CD
KXLC, KRXLC	SD
KLC, KRLC	CD
KILOC, KILOC	SD
RO15	SD
BOSC	CD
CLAC	SD
MCAL	ND



CD - Clear Dotting
SD - Slight Dotting
ND - No Dotting

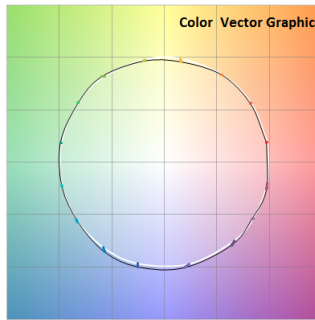
TM-30-15: Data

22K CCT



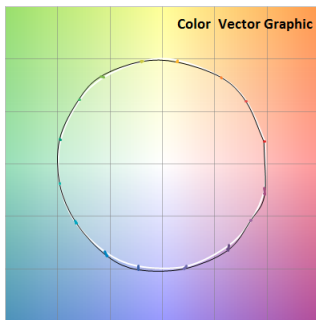
Hue Bin	R_f	Graphic shifts (%)	
		Chroma	Hue
1	79	-10%	0%
2	79	-8%	8%
3	70	-2%	14%
4	85	2%	8%
5	90	5%	5%
6	90	6%	-3%
7	84	-2%	-8%
8	89	-6%	-4%
9	85	-6%	3%
10	78	-6%	11%
11	77	2%	14%
12	79	6%	9%
13	88	8%	-7%
14	67	4%	-20%
15	84	0%	-10%
16	75	-7%	-14%

24K CCT



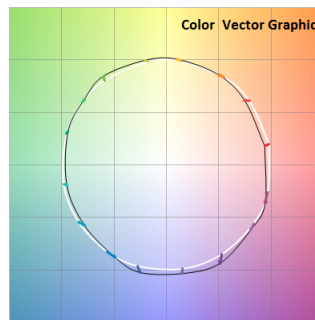
Hue Bin	R_f	Graphic shifts (%)	
		Chroma	Hue
1	97	-1%	0%
2	97	-1%	0%
3	97	0%	1%
4	95	-3%	-1%
5	96	-1%	2%
6	96	1%	3%
7	97	0%	1%
8	98	1%	0%
9	97	0%	2%
10	95	0%	3%
11	93	3%	4%
12	93	3%	1%
13	93	3%	-6%
14	92	2%	-4%
15	95	-1%	-1%
16	91	0%	-6%

27K CCT



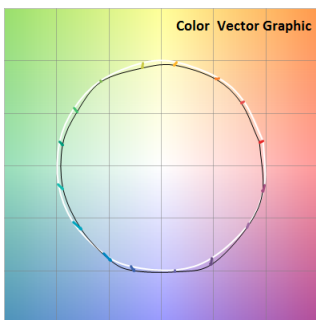
Hue Bin	R_f	Graphic shifts (%)	
		Chroma	Hue
1	97	-1%	0%
2	98	0%	0%
3	96	0%	1%
4	96	-2%	0%
5	96	0%	2%
6	95	2%	2%
7	96	1%	0%
8	98	1%	-1%
9	98	0%	1%
10	95	0%	3%
11	92	2%	5%
12	93	3%	1%
13	95	2%	-3%
14	93	3%	-3%
15	96	0%	-1%
16	91	1%	-6%

30K CCT



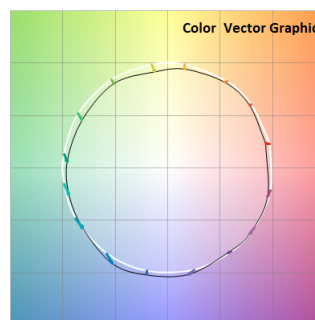
Hue Bin	R_f	Graphic shifts (%)	
		Chroma	Hue
1	90	-4%	-1%
2	91	-4%	3%
3	86	-1%	7%
4	91	1%	5%
5	92	2%	3%
6	93	4%	-1%
7	92	0%	-4%
8	95	-1%	-2%
9	94	-3%	1%
10	87	-3%	6%
11	84	0%	10%
12	88	6%	4%
13	92	4%	-1%
14	88	6%	-6%
15	89	1%	-7%
16	85	0%	-11%

35K CCT



Hue Bin	R_f	Graphic shifts (%)	
		Chroma	Hue
1	91	-4%	0%
2	93	-3%	0%
3	92	-2%	2%
4	92	-3%	1%
5	91	-5%	1%
6	96	-1%	1%
7	92	-4%	1%
8	93	-3%	2%
9	90	-4%	5%
10	83	-3%	10%
11	83	2%	10%
12	89	3%	4%
13	95	2%	-1%
14	90	5%	-4%
15	90	1%	-5%
16	88	0%	-6%

41K CCT



Hue Bin	R_f	Graphic shifts (%)	
		Chroma	Hue
1	88	-4%	1%
2	93	-2%	1%
3	93	-2%	1%
4	89	-4%	-2%
5	88	-7%	-1%
6	93	-4%	0%
7	88	-7%	3%
8	87	-4%	6%
9	82	-3%	12%
10	79	0%	12%
11	83	5%	9%
12	91	4%	0%
13	89	3%	-6%
14	92	-1%	-3%
15	84	0%	-7%
16	84	-1%	-6%

Power Consumption

Tested at full power with PDC Series power supplies.

LLFLEX18

Nominal Length	W/ft	Total wattage
1	3.35	3.35
2	3.35	6.70
3	3.30	9.90
4	3.25	13.00
5	3.20	16.00
6	3.15	18.90
7	3.10	21.70
8	3.05	24.40
9	3.00	27.00
10	2.95	29.50
11	2.90	31.90
12	2.80	33.60
13	2.75	35.75
14	2.70	37.80
15	2.65	39.75
16	2.60	41.60
17	2.55	43.35
18	2.50	45.00
19	2.45	46.55
20	2.40	48.00
21	2.35	49.35
22	2.30	50.60

Power Supplies

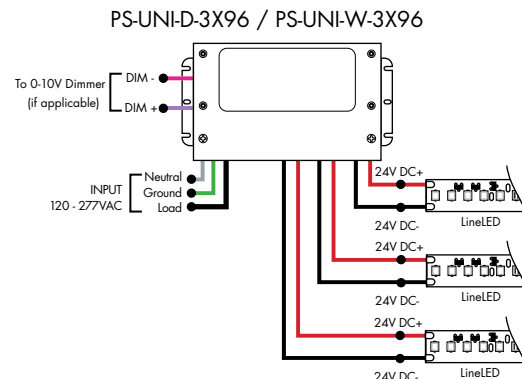
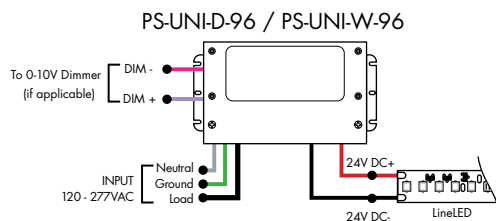
See Power Supply instructions and spec sheet for wiring information. For a complete list of compatible dimmers, see Compatible Dimming Chart on the Resources page.

Ordering Code Universal Dimming Power Supplies 1% 120VAC - 277VAC

MODEL	INPUT CONTROL	ENVIRONMENT	WATTAGE	OUTPUT
PS-Power Supply, 120-277VAC	UNI-0-10V Dimming, Phase Dimming	D-Dry W-Wet	30-30 Watts 60-60 Watts 96-96 Watts 3x96-3x96 Watts	24-24 VDC

Compatibility: View a complete list of compatible dimmers on product page [\(Link\)](#)

0-10V - 1% dimming
MLV/ELV/TRIAC - 1% dimming, consult dimming compatibility chart



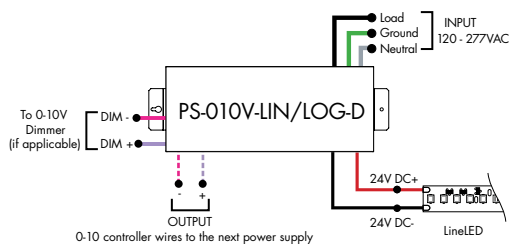
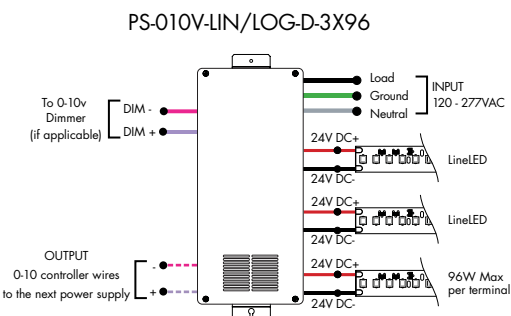
MODELS	PS-UNI-W-30W	PS-UNI-W-60W	PS-UNI-W-96W	PS-UNI-W-3X96W
Length	6.50"	7.40"	8.66"	11.85"
Width	3.73"	3.73"	3.73"	4.32"
Depth	1.61"	1.61"	1.61"	1.81"

MODELS	PS-UNI-D-30W	PS-UNI-D-60W	PS-UNI-D-96W	PS-UNI-D-3X96W
Length	8.77"	8.77"	8.11"	9.94"
Width	4.27"	4.27"	5.60"	7.61"
Depth	1.83"	1.83"	1.83"	2.02"

Ordering Code 0-10V Dimming Power Supplies 0.1% 120VAC - 277VAC

MODEL	INPUT CONTROL	ENVIRONMENT	WATTAGE	OUTPUT
PS-Power Supply, 120-277VAC	010V-LIN-0-10V Dimming (0.1%), Linear 010V-LOG-0-10V Dimming (0.1%), Logarithmic	D-Dry	96-96 Watts 3X96-3x96 Watts	24-24 VDC

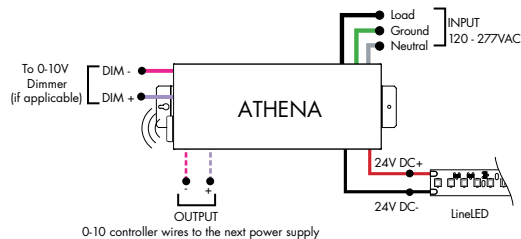
MODELS	96W	3X96
Length	14.40"	15.00"
Width	5.20"	6.62"
Depth	2.60"	4.45"



Athena 0-10V LED Driver

MODEL	INPUT CONTROL	ENVIRONMENT	WATTAGE	OUTPUT	FEATURE
PS-Power Supply, 120-277VAC	010V-LIN-0-10V Dimming, Linear 010V-LOG-0-10V Dimming, Logarithmic	D-Dry	96-96 W	24-24 VDC	AWNR-Athena

MODELS	96W
Length	14.40"
Width	5.20"
Depth	2.60"



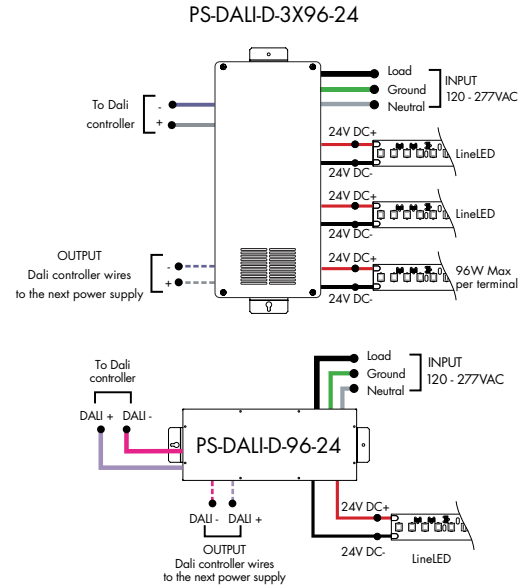
Power Supplies

See Power Supply instructions and spec sheet for wiring information. For a complete list of compatible dimmers, see Compatible Dimming Chart on the Resources page.

Ordering Code DALI1 Dimming Power Supplies 0.1% 120VAC - 277VAC

MODEL	INPUT CONTROL	ENVIRONMENT	WATTAGE	OUTPUT
PS-Power Supply, 120-277VAC	DALI-DALI (0.1%)	D-Dry	96-96 Watts 3X96-3X96 Watts	24-24 VDC

Model	96W	3X96
Length	14.40"	15.00"
Width	5.20"	6.62"
Depth	2.60"	4.56"

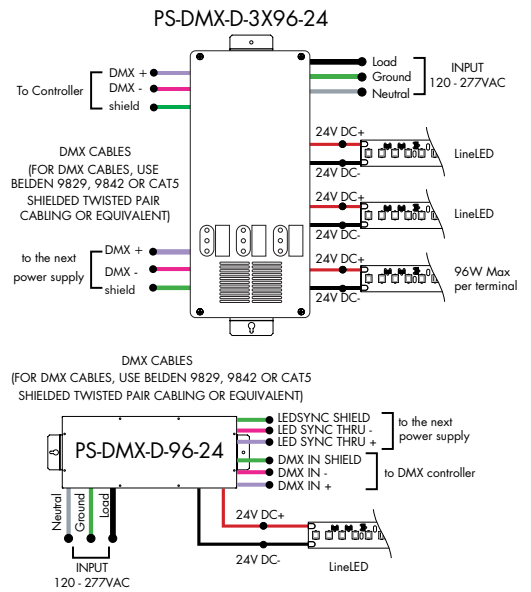


Ordering Code DMX Dimming Power Supplies 0.1% 120VAC - 277VAC Requires Zonal Control

MODEL	INPUT CONTROL	ENVIRONMENT	WATTAGE	OUTPUT
PS-Power Supply, 120-277VAC	DMX-DMX (0.1%)	D-Dry	96-96 Watts 3X96-3X96 Watts	24-24 VDC

*Zonal control power supplies. Control multiple tapes/zones using DMX channels.

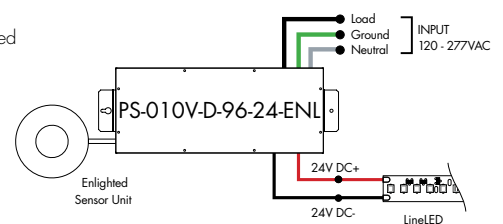
MODELS	96W	3X96
Length	14.40"	15.00"
Width	5.20"	6.62"
Depth	2.60"	4.56"



Ordering Code Enlightened Enabled Dimming Power Supplies 1% 120VAC - 277VAC

MODEL	INPUT CONTROL	ENVIRONMENT	WATTAGE	OUTPUT	FEATURE
PS-Power Supply, 120-277VAC	010V-0-10V Dimming (1%)	D-Dry	96-96 Watts	24-24 VDC	ENL-0-10V Enlightened

Model	96W
Length	14.40"
Width	5.20"
Depth	2.60"

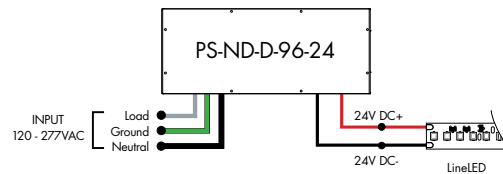


Power Supplies

See Power Supply instructions and spec sheet for wiring information. For a complete list of compatible dimmers, see Compatible Dimming Chart on the Resources page.

Ordering Code Non-Dimming Power Supply 120VAC - 277VAC

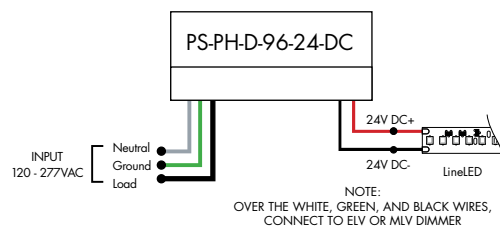
MODEL	INPUT CONTROL	ENVIRONMENT	WATTAGE	OUTPUT
PS - Power Supply, 120-277VAC	ND - Non Dimming	D - Dry	96-96 Watts	24 - 24 VDC



MODELS	96W
Length	14.40"
Width	5.20"
Depth	2.60"

Ordering Code Phase Dimming Power Supply 1% 120VAC - 277VAC

MODEL	INPUT CONTROL	ENVIRONMENT	WATTAGE	OUTPUT	OUTPUT CONTROL
PS - Power Supply, 120-277VAC	PH - Phase Dimming (Triac, ELV, MLV)	D - Dry	96 - 96 Watts	24 - 24 VDC	DC - Direct Current

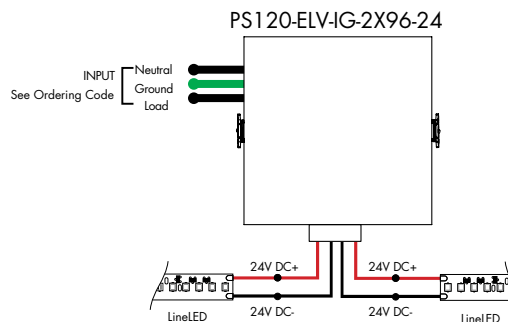


MLV/ELV/TRIAC - 1% dimming, consult dimming compatibility chart ([link](#))

MODELS	96W
Length	8.25"
Width	4.10"
Depth	1.56"

Ordering Code In-Ground Power Supplies

MODEL	INPUT CONTROL	ENVIRONMENT	WATTAGE	OUTPUT
PS120 - Power Supply, 120VAC PS240 - Power Supply, 240VAC PS277 - Power Supply, 277VAC	ELV - ELV Dimming (1%)	IG - In Ground	2X96 - 2X96 Watts	24 - 24 VDC



MODELS	2X96W
Length	8.40"
Width	8.30"
Depth	8.10"

Power Supplies

See Power Supply instructions and spec sheet for wiring information. For a complete list of compatible dimmers, see Compatible Dimming Chart on the Resources page.



Luminii is a Lutron OEM Advantage Partner

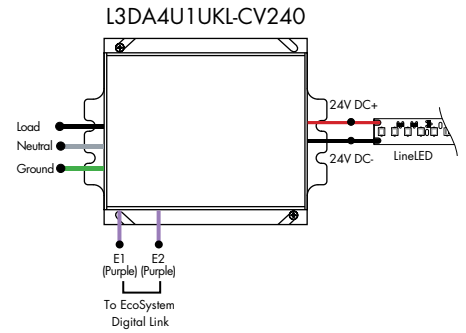
Lutron Power Supplies 1%

MODEL

L3DA4U1UKL-CV240

HiLume™ 1% EcoSystem Voltage LED driver
40W max

MODELS	L3DA4U1UKL-CV240
Length	4.98"
Width	4.00"
Depth	2.62"



Luminii is a Lutron OEM Advantage Partner

Lutron Power Supplies 0.1%

MODEL

L3D0-96W24V-U

HiLume™ 0.1% EcoSystem Voltage LED Driver with Soft-On, Fade-to-Black™
96W max

MODELS	L3D0
Length	10.50"
Width	5.50"
Depth	2.00"

