



### Features

Line LED LL series is a small profile high performance LED strip. The durable, but flexible products feature a heavier copper board core for better heat dissipation and even illumination over long runs. Line LED LL series feature outstanding color consistency with single binning and CRI up to 98. Available with multiple power feed and connector options.

#### Mounting

LED strip is equipped with 3M™ adhesive transfer tape (9472LE)

#### Applications

Indoor only - above and below cabinets, cove lighting, counter accent, architectural reveals, under banister, display and book cases, etc

#### Approvals

Class 2 damp listed

#### Operating voltage

24 VDC

#### Average life (L70)

50,000 hours

#### Warranty

7 Years



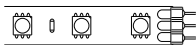
### Technical information

MODEL:	LL9
LEDS/ft	9
Light output (3000K)	65 lum/ft
Average power consumption (for 15' section)	1.00 W/ft
Cutting increment	6.50"
Pitch length	1.31"
Efficacy lum/watt	65
Maximum run length (in series)	100 ft
Dimensions	0.39" W x 0.09" H

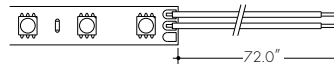
CCT	Multiplier (reference - 3000K)	TM-30		
		CRI	R <sub>f</sub>	R <sub>g</sub>
2200K	0.93	96	95	101
2400K	0.80	98	97	101
2700K	0.85	97	96	101
2900K	0.89	98	96	102
3000K	1.00	97	95	104
3500K	1.07	97	94	105
4100K	1.35	97	90	99

### SECTION START/END OPTIONS

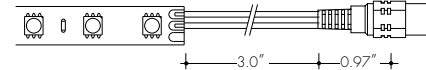
M - Male connector



SL - Soldered lead wire (72")



LM - Power Feed lead Male 3" cable



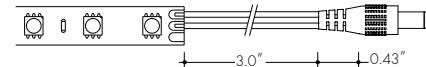
F - Female connector



NC - No connector



LF - Power Feed lead Female 3" cable



### Ordering code

MODEL	COLOR TEMPERATURE	SECTION START	SECTION END	LENGTH
LL9				
LL9	22K - 2200K 24K - 2400K 27K - 2700K 29K - 2900K 30K - 3000K 35K - 3500K 41K - 4100K	F - Female connector M - Male connector SL - Soldered lead wires (72") LF - Lead female LM - Lead male NC - No connector	F - Female connector M - Male connector SL - Soldered lead wires (72") LF - Lead female LM - Lead male NC - No connector	view table on page 2 for increment options and maximum run limits

Power consumption per linear foot - Loads tested with PSD series of power supplies (page 6)

Length of strip (LF)	LL9	
	W/ft	Total wattage
1	1.50	1.13
2	1.50	2.38
3	1.50	3.38
4	1.50	4.63
5	1.44	6.13
6	1.44	7.63
7	1.44	8.88
8	1.38	10.13
9	1.38	10.75
10	1.38	12.00
11	1.31	13.63
12	1.31	14.88
13	1.31	16.13
14	1.31	17.63
15	1.25	18.50
16	1.25	19.50
17	1.25	21.00
18	1.25	22.25
19	1.25	23.50
20	1.19	23.63
21	1.19	24.80
22	1.19	25.98
23	1.19	27.15
24	1.19	28.33
25	1.19	29.50
26	1.19	30.68
27	1.19	31.85
28	1.19	33.03
29	1.19	34.33
30	1.19	35.38
31	1.19	36.33
32	1.19	37.28
33	1.19	38.23
34	1.19	39.18
35	1.19	40.13
36	1.19	41.08
37	1.19	42.03
38	1.19	42.98
39	1.19	43.93
40	1.13	44.88
41	1.13	45.81
42	1.13	46.75
43	1.13	47.69
44	1.13	48.63
45	1.13	49.56
46	1.13	50.50
47	1.13	51.44
48	1.13	52.38
49	1.13	53.31
50	1.13	54.25
51-60	1.06	63.13
61-70	1.00	70.25
71-80	0.94	80.63
81-90	0.90	81.88
91-100	0.88	86.63



**Lens Options / Light Transmission**

C	HF	GR	F	FF	R	S	Q	13°						
Clear	Half (50%) Frosted	Graze	Frosted	Flat Frosted	Raised	Square Frosted	Round Square Frosted	13° Semi-Frosted						
<b>BOS Channel (BOSC-XX)</b> 		<b>CLA Channel (CLAC-XX)</b> 		<b>MCAL Channel (MCALC-XX)</b> 		<b>K45V Channel (K45V-XX)</b> 								
F	SI	R	G	S	Q	C	C	HF	F	13°				
52%	66%	60%	76%	62%	65%	94%	82%	68%	45%	75%				
<b>K45R Channel (K45R-XX)</b> 		<b>KiloR Channel (KILORC-XX)</b> 		<b>Kilo Channel (KILOC-XX)</b> 		<b>KL Channel (KLC-XX)</b> 								
RF	C	F	C	F	C	F	C	HF	F					
61%	85%	75%	85%	75%	85%	75%	81%	67%	51%					
<b>KRL Channel (KRLC-XX)</b> 		<b>KM Channel (KMC-XX)</b> 		<b>KRM Channel (KRMC-XX)</b> 		<b>KS Channel (KSC-XX)</b> 								
C	HF	F	C	HF	F	FF	R	GR	C	HF	F	FF	R	M
81%	67%	51%	82%	68%	45%	52%	58%	57%	86%	71%	56%	60%	85%	64%
<b>KRS Channel (KRSC-XX)</b> 		<b>KXL Channel (KXLC-XX)</b> 		<b>KRXL Channel (KRXLC-XX)</b> 		<b>RO15 Channel (RO15-XX)</b> 								
C	HF	F	FF	M	C	HF	F	C	F					
86%	71%	56%	60%	64%	79%	66%	49%	65%	41%					

**Installation**

All mounting channels are field cuttable using miter saw with circular blade suitable for cutting aluminum.

**Ordering**

Extrusions are sold separately. View respective specsheets for details on ordering extrusions and their accessories (endcaps, mounting brackets, etc).

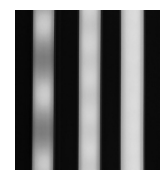
**Discontinued Extrusion Reference Link**

<https://www.luminii.com/media/4351/extrusion-update.pdf>

**LED Dotting per extrusion**

using the frosted lens option

extrusion	LED Models
	<b>LL9</b>
KSC, KRSC, K45VC	CD
KMC, KRMC, K45MC	CD
KXLC, KRXLC	CD
KLC, KRLC	CD
RO	CD
BOSC	CD
CLAC	CD

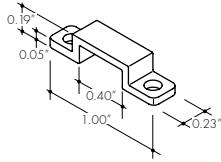


CD - Clear Dotting  
SD - Slight Dotting  
ND - No Dotting

Accessories

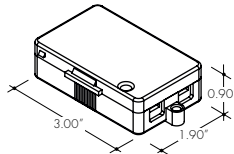
Part # CL1

Mounting clip:  
recommended at every 12" when  
LineLED strip is facing down.



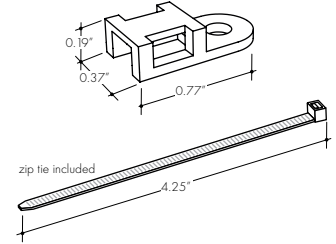
Part # LVSP-4T-BK

Splice Box:  
low voltage, 4 terminal splice box, black.



Part # LLZIP

Cable/Wire Strain Relief Clip



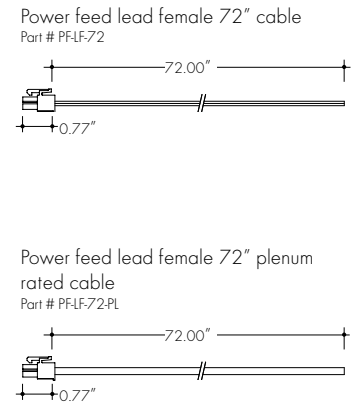
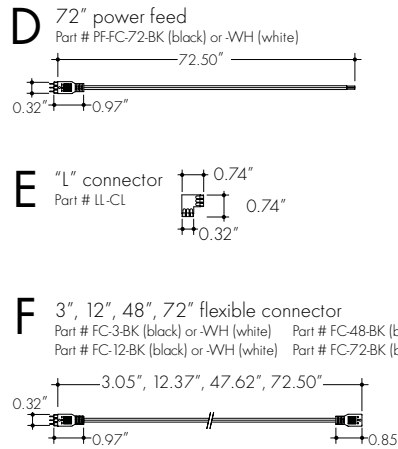
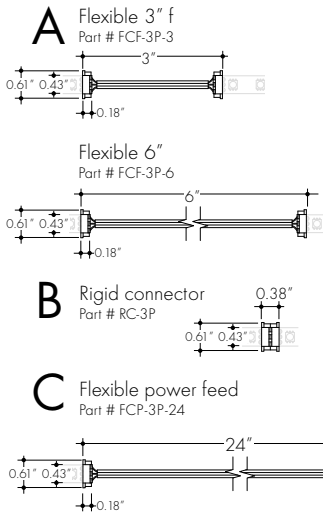
Connectors

**Field-cut connectors A,B,C (not compatible with the LL54 models)**

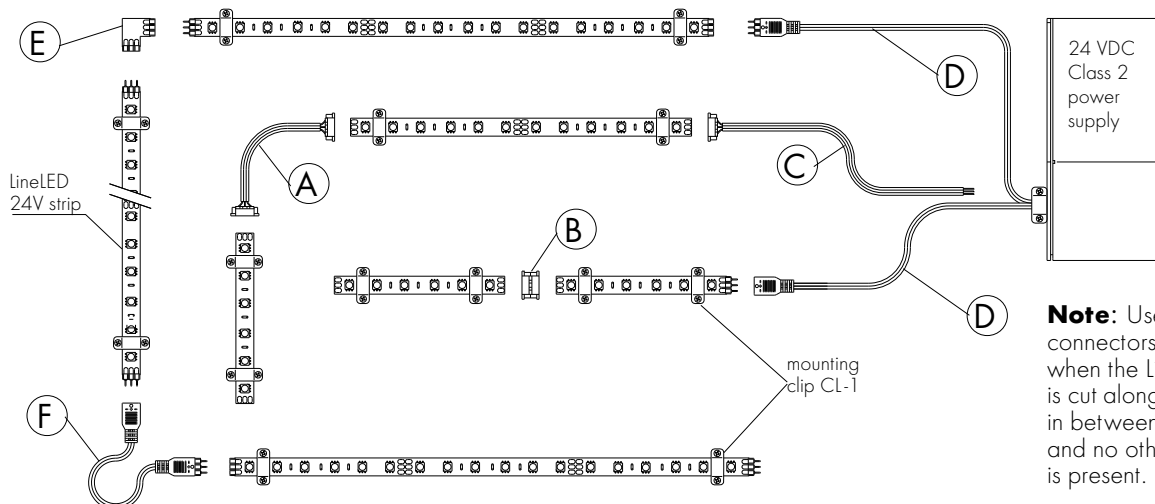
(Reference dimensions below to determine if connector will fit inside of your extrusion. If so surface with contact of connector & extrusion must be insulated to prevent an electrical short)

**3-pin connectors D,E,F (not compatible with the LL54 models)**

(Reference dimensions below to determine if connector will fit inside of your extrusion. Connectors will not fit inside of the KSC, KRSC, BOSC, & ALC Channel)



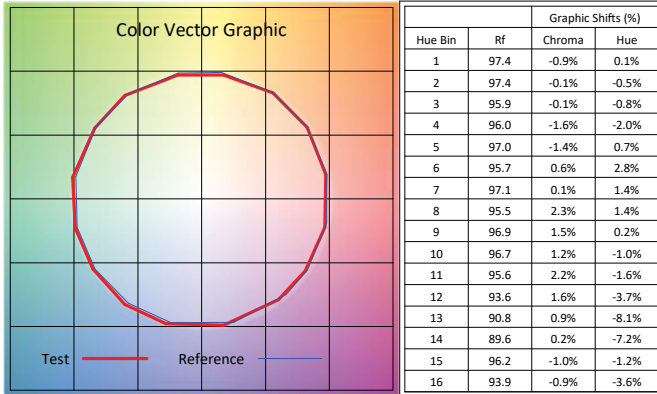
Sample layout with connectors



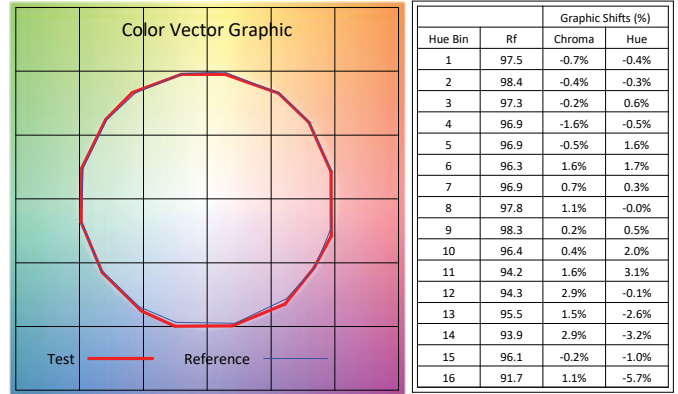
**Note:** Use field-cut connectors (A,B,C) when the LineLED strip is cut along cutting lines in between solder pads and no other connector is present.

TM-30-15: Data

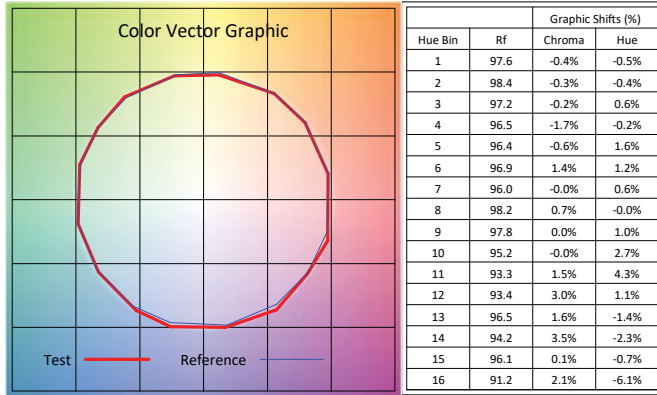
22K CCT



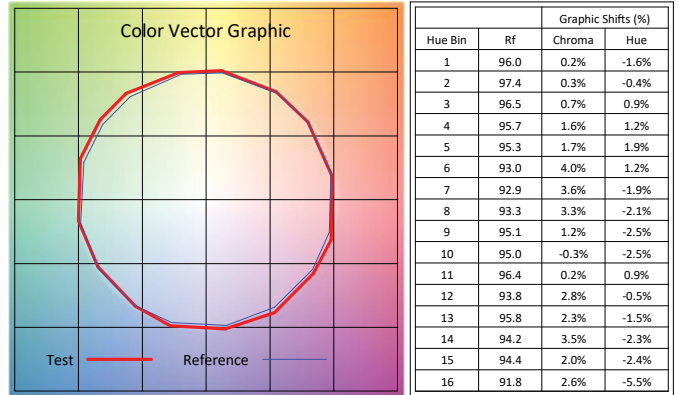
27K CCT



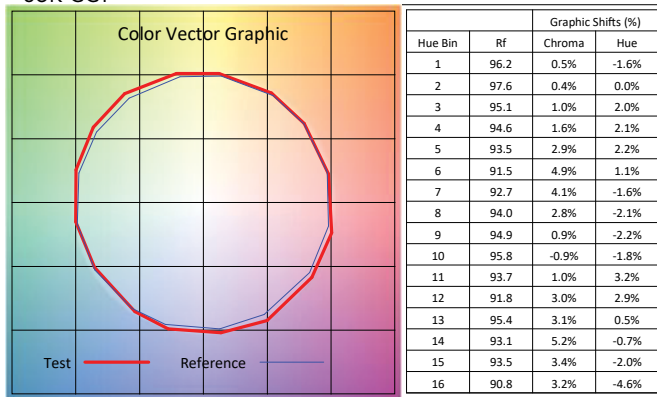
29K CCT



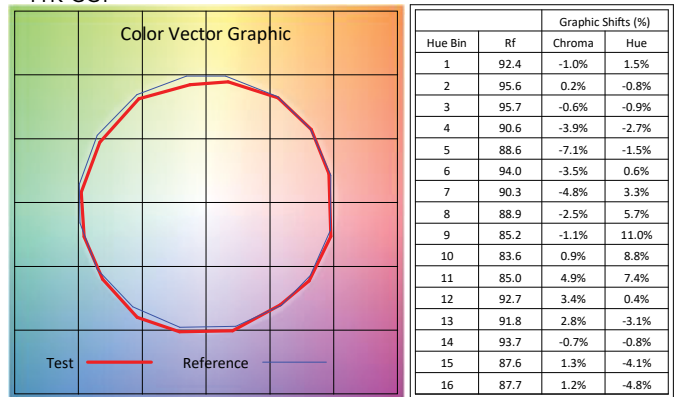
30K CCT



35K CCT



41K CCT



### Power Supplies

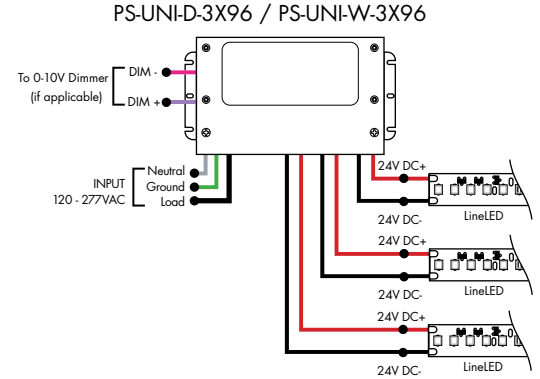
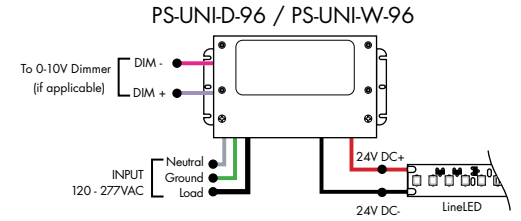
See Power Supply instructions and spec sheet for wiring information. For a complete list of compatible dimmers, see Compatible Dimming Chart on the Resources page.

#### Ordering Code Universal Dimming Power Supplies 1% 120VAC - 277VAC

MODEL	INPUT CONTROL	ENVIRONMENT	WATTAGE	OUTPUT
PS-Power Supply, 120-277VAC	UNI-0-10V Dimming, Phase Dimming	D-Dry W-Wet	30-30 Watts 60-60 Watts 96-96 Watts 3x96-3x96 Watts	24-24 VDC

Compatibility: View a complete list of compatible dimmers on product page [\(Link\)](#)

0-10V - 1% dimming  
MLV/ELV/TRIAC - 1% dimming, consult dimming compatibility chart



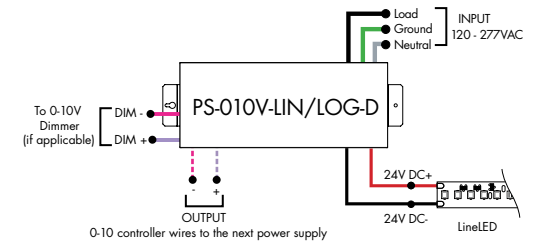
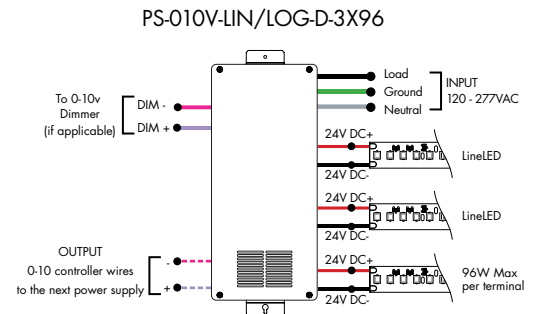
MODELS	PS-UNI-W-30W	PS-UNI-W-60W	PS-UNI-W-96W	PS-UNI-W-3X96W
Length	6.50"	7.40"	8.66"	11.85"
Width	3.73"	3.73"	3.73"	4.32"
Depth	1.61"	1.61"	1.61"	1.81"

MODELS	PS-UNI-D-30W	PS-UNI-D-60W	PS-UNI-D-96W	PS-UNI-D-3X96W
Length	8.77"	8.77"	8.11"	9.94"
Width	4.27"	4.27"	5.60"	7.61"
Depth	1.83"	1.83"	1.83"	2.02"

#### Ordering Code 0-10V Dimming Power Supplies 0.1% 120VAC - 277VAC

MODEL	INPUT CONTROL	ENVIRONMENT	WATTAGE	OUTPUT
PS-Power Supply, 120-277VAC	010V-LIN-0-10V Dimming (0.1%), Linear 010V-LOG-0-10V Dimming (0.1%), Logarithmic	D-Dry	96-96 Watts 3X96-3x96 Watts	24-24 VDC

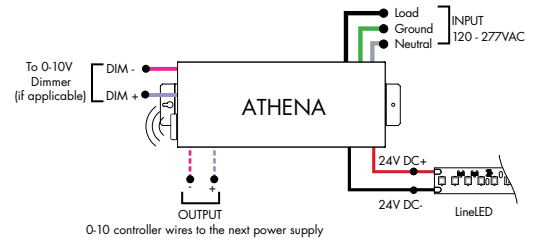
MODELS	96W	3X96
Length	14.40"	15.00"
Width	5.20"	6.62"
Depth	2.60"	4.45"



#### Athena 0-10V LED Driver

MODEL	INPUT CONTROL	ENVIRONMENT	WATTAGE	OUTPUT	FEATURE
PS-Power Supply, 120-277VAC	010V-LIN-0-10V Dimming, Linear 010V-LOG-0-10V Dimming, Logarithmic	D-Dry	96-96 W	24-24 VDC	AWNR-Athena

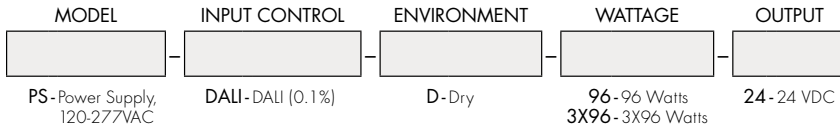
MODELS	96W
Length	14.40"
Width	5.20"
Depth	2.60"



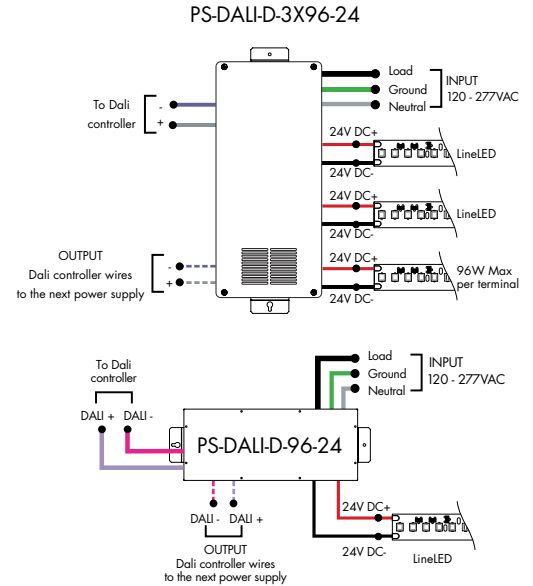
## Power Supplies

See Power Supply instructions and spec sheet for wiring information. For a complete list of compatible dimmers, see Compatible Dimming Chart on the Resources page.

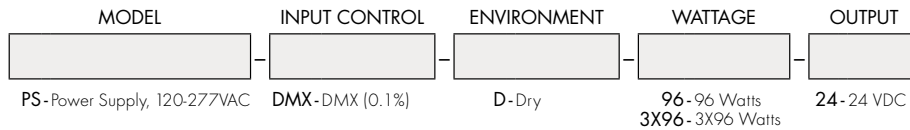
### Ordering Code DALI Dimming Power Supplies 0.1% 120VAC - 277VAC



Model	96W	3X96
Length	14.40"	15.00"
Width	5.20"	6.62"
Depth	2.60"	4.56"

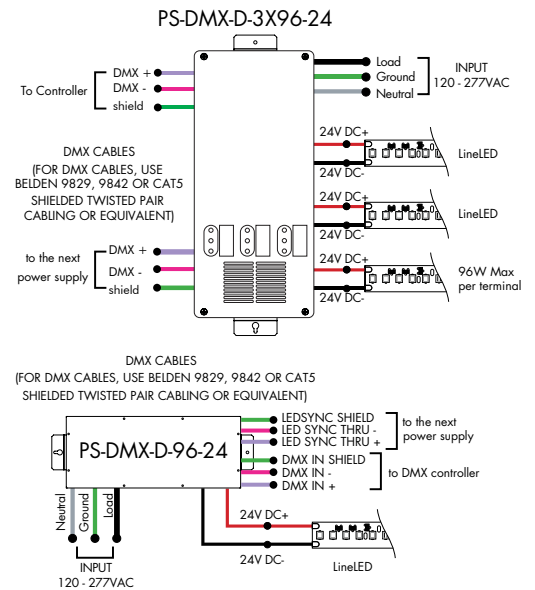


### Ordering Code DMX Dimming Power Supplies 0.1% 120VAC - 277VAC Requires Zonal Control

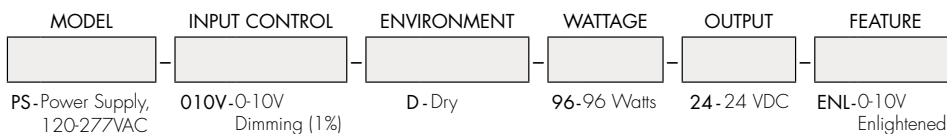


\*Zonal control power supplies. Control multiple tapes/zones using DMX channels.

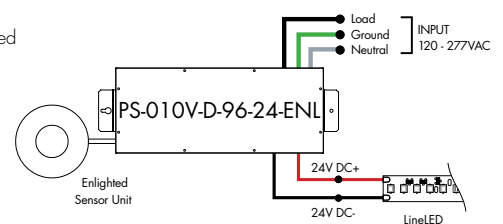
MODELS	96W	3X96
Length	14.40"	15.00"
Width	5.20"	6.62"
Depth	2.60"	4.56"



### Ordering Code Enlightened Enabled Dimming Power Supplies 1% 120VAC - 277VAC



Model	96W
Length	14.40"
Width	5.20"
Depth	2.60"

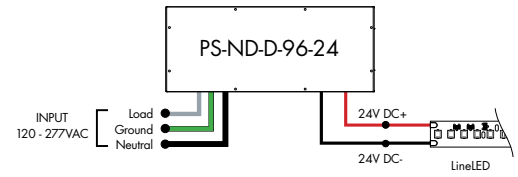


## Power Supplies

See Power Supply instructions and spec sheet for wiring information. For a complete list of compatible dimmers, see Compatible Dimming Chart on the Resources page.

### Ordering Code Non-Dimming Power Supply 120VAC - 277VAC

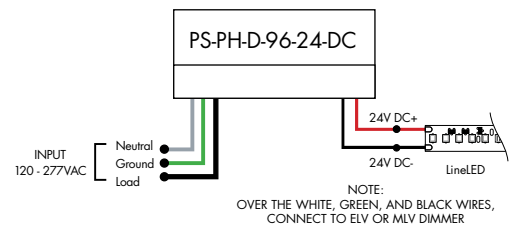
MODEL	INPUT CONTROL	ENVIRONMENT	WATTAGE	OUTPUT
PS - Power Supply, 120-277VAC	ND - Non Dimming	D - Dry	96-96 Watts	24 - 24 VDC



MODELS	96W
Length	14.40"
Width	5.20"
Depth	2.60"

### Ordering Code Phase Dimming Power Supply 1% 120VAC - 277VAC

MODEL	INPUT CONTROL	ENVIRONMENT	WATTAGE	OUTPUT	OUTPUT CONTROL
PS - Power Supply, 120-277VAC	PH - Phase Dimming (Triac, ELV, MLV)	D - Dry	96-96 Watts	24-24 VDC	DC - Direct Current

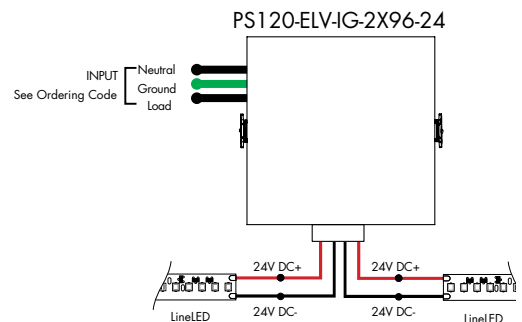


MLV/ELV/TRIAC - 1% dimming, consult dimming compatibility chart ([link](#))

MODELS	96W
Length	8.25"
Width	4.10"
Depth	1.56"

### Ordering Code In-Ground Power Supplies

MODEL	INPUT CONTROL	ENVIRONMENT	WATTAGE	OUTPUT
PS120 - Power Supply, 120VAC PS240 - Power Supply, 240VAC PS277 - Power Supply, 277VAC	ELV - ELV Dimming (1%)	IG - In Ground	2X96-2X96 Watts	24-24 VDC



MODELS	2X96W
Length	8.40"
Width	8.30"
Depth	8.10"



## Power Supplies

See Power Supply instructions and spec sheet for wiring information. For a complete list of compatible dimmers, see Compatible Dimming Chart on the Resources page.



Luminii is a Lutron OEM Advantage Partner

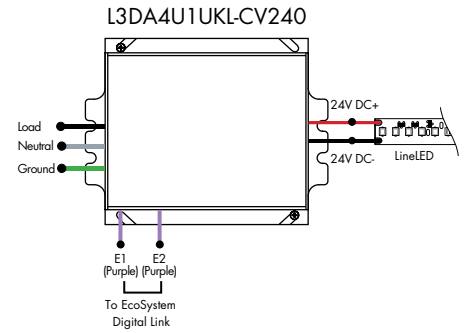
Lutron Power Supplies 1%

MODEL

**L3DA4U1UKL-CV240**

HiLume™ 1% EcoSystem Voltage LED driver  
40W max

MODELS	L3DA4U1UKL-CV240
Length	4.98"
Width	4.00"
Depth	2.62"



Luminii is a Lutron OEM Advantage Partner

Lutron Power Supplies 0.1%

MODEL

**L3D0-96W24V-U**

HiLume™ 0.1% EcoSystem Voltage LED Driver with Soft-On, Fade-to-Black™  
96W max

MODELS	L3D0
Length	10.50"
Width	5.50"
Depth	2.00"

