

**Features**

The LineLED Monochromatic is a small profile and energy efficient colored light strip available in amber, red, green, blue, yellow, violet, and royal blue. It is easily installed directly on to the mounting surface with double sided tape or within discrete mounting extrusions.



LL42

**Mounting**

LED strip is equipped with 3M™ adhesive transfer tape (9472LE).

**Applications**

Indoor only - millwork, cove, architectural reveals, undercabinet, display case, handrail, accent lighting.

**Approvals**

Class 2 damp listed

**Operating voltage**

24 VDC

**Average Life (L70)**

50,000 hours

**Warranty**

7 years



**Technical information**

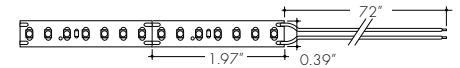
<b>TYPE</b>	<b>LL42</b>
<b>OUTPUT OPTIONS</b>	<b>HO</b>
<b>Average Power Consumption</b> (for a 4" section)	2.9 W/ft
<b>Cutting Increment (in)</b>	1.97"
<b>Pitch Length</b>	0.28"
<b>Max Run Length (in series)</b>	40 ft
<b>Dimensions</b>	0.39"W x 0.09" H

COLOR	Wavelength	Light Output	Light Color
Red	620-630 nm	77 lm/ft	
Orange	600-610 nm	77 lm/ft	
Amber	585-595 nm	83 lm/ft	
Yellow	575-585 nm	310 lm/ft	
Green	520-530 nm	296 lm/ft	
Blue	465-475 nm	51 lm/ft	
Royal Blue	445-450 nm	40 lm/ft	
Violet	380-385 nm	91 lm/ft	

**Section Start/End Options**

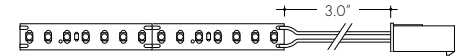
**SL**

Soldered lead wires (72")



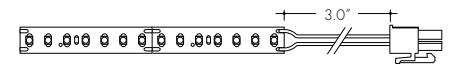
**LF**

Lead Female 3" cable



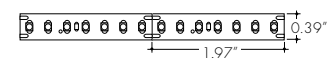
**LM**

Lead Male 3" cable



**NC**

No connector



**Ordering code**

MODEL	OUTPUT	COLOR	SECTION START <sup>2</sup>	SECTION END <sup>2</sup>	LENGTH
LL42 <sup>1</sup> - LineLED LL42	HO - High	R - Red O - Orange A - Amber Y - Yellow G - Green B - Blue RB - Royal Blue V - Violet	SL - Soldered lead wires (72") NC - No connector LM - Lead Male LF - Lead Female	SL - Soldered lead wires (72") NC - No connector LM - Lead Male LF - Lead Female	Ordered in one foot increments. See chart above for max run length.

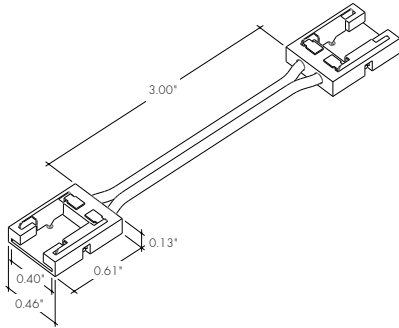
1 - LL42 monochrome lead time: 8 weeks upon order. Minimum order quantity: 100ft  
2 - Additional Connectors and Leads available, see below.

**Minii Connectors**

Minii connectors are easy, field-installable accessories that make joining LL strip simple! Their minimal width allows them to fit into extrusions, while their transparent frame eliminates dark spots.  
**Note: verify internal extrusion dimensions to confirm compatibility**

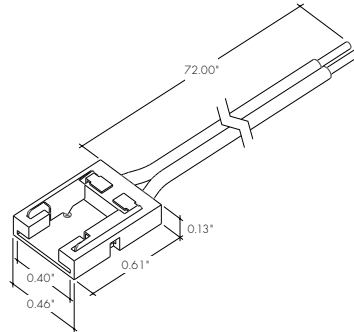
**LL-PJC-10-03**

Jumper minii connector with 3" wire for LL42 LED strip



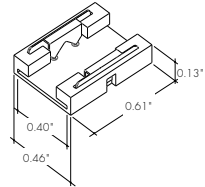
**LL-PFC-10-72**

Power feed minii connector with 72" wire for LL42 LED strip

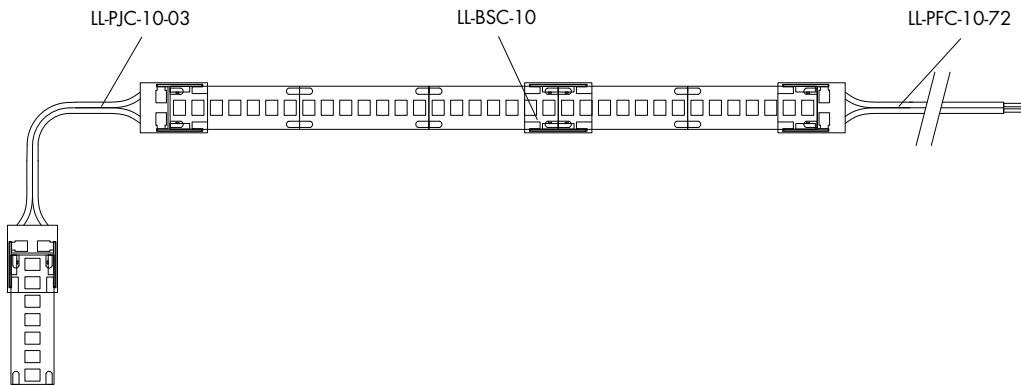


**LL-BSC-10**

Butt splice minii connector for LL42 LED strip



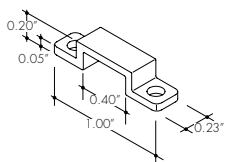
**Sample Layout**



**Accessories**

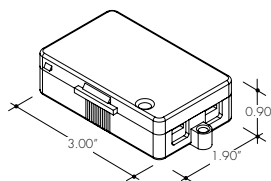
**CL1**

Mounting clip



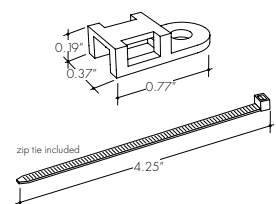
**LVSP-4T-BK**

Low Voltage, 4 Terminal Splice Box, Black



**LL.ZIP**

Cable/Wire Strain Relief Clip



Recommended every 12" when LineLED strip is facing down

Lens Options / Light Transmission



Clear



Half (50%)  
Frosted



Graze



Frosted



Flat  
Frosted



Raised



Square  
Frosted

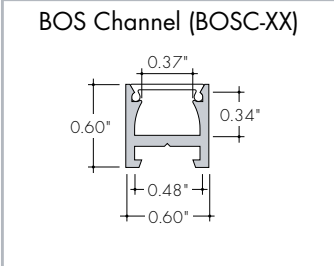


Round Square  
Frosted

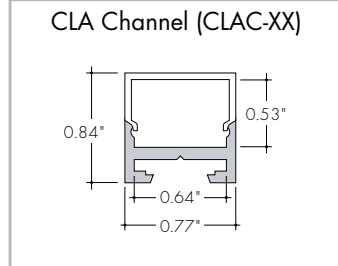


13°  
13°  
Semi-Frosted

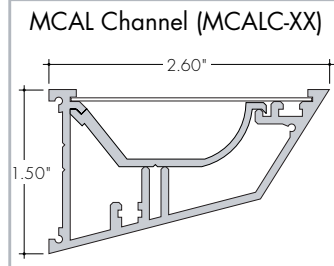
\*Not compatible with Minii connectors



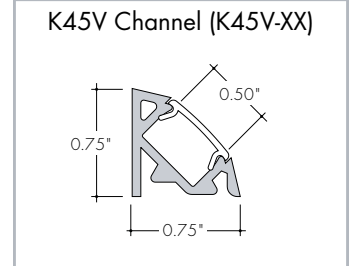
**F** **SI** **R** **G**  
52% 66% 60% 76%



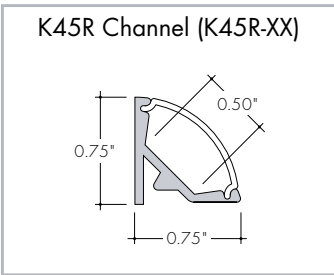
**S** **Q**  
62% 65%



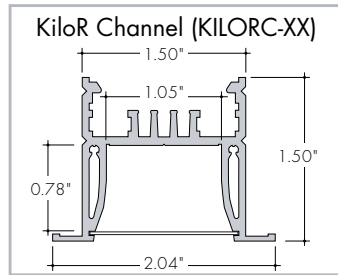
**C**  
94%



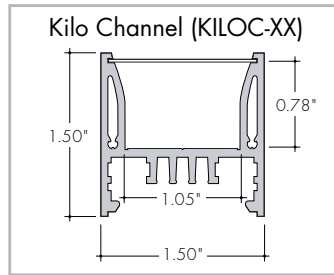
**C** **HF** **F** **13°**  
82% 68% 45% 75%



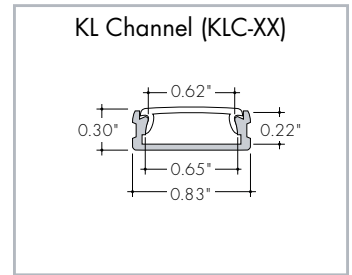
**RF**  
61%



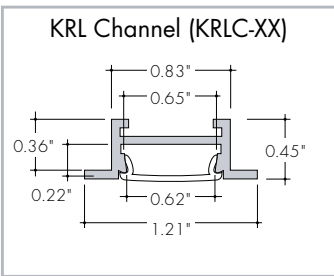
**C** **F**  
85% 75%



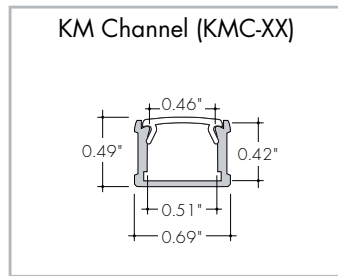
**C** **F**  
85% 75%



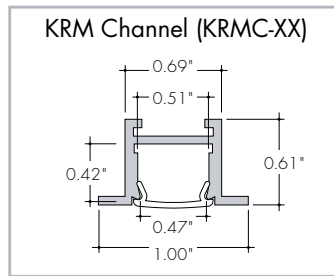
**C** **HF** **F**  
81% 67% 51%



**C** **HF** **F**  
81% 67% 51%

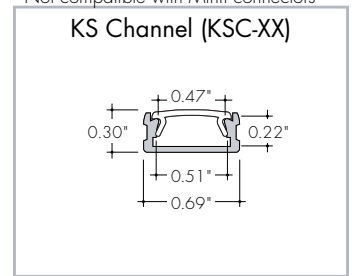


**C** **HF** **F** **FF** **R** **GR**  
82% 68% 45% 52% 58% 56%



**C** **HF** **F** **FF** **GR**  
82% 68% 45% 52% 56%

\*Not compatible with Minii connectors



**C** **HF** **F** **FF** **R** **M**  
86% 71% 56% 60% 85% 64%

Installation

All mounting channels are field cuttable using miter saw with circular blade suitable for cutting aluminum.

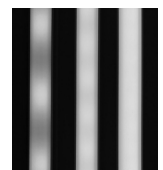
Ordering

Extrusions are sold separately. View respective specsheets for details on ordering extrusions and their accessories (endcaps, mounting brackets, etc).

Led Dotting per Extrusion

using the frosted lens option

Extrusion	LED Model LL42	LED Model LL72
BOS	ND	ND
CLA	ND	ND
MCAL	ND	ND
K45V	CD	CD
KM	ND	ND
KRM	ND	ND
KS	CD	ND
K45R	ND	ND
KILOR	ND	ND
KILO	ND	ND
KL	CD	ND
KRL	CD	ND



**CD** **SD** **ND**  
CD - Clear Dotting  
SD - Slight Dotting  
ND - No Dotting

**Lens Options / Light Transmission**



Clear



Half (50%)  
Frosted



Graze



Frosted



Flat  
Frosted



Raised



Square  
Frosted

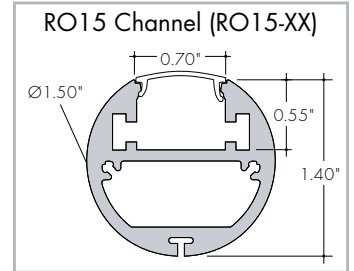
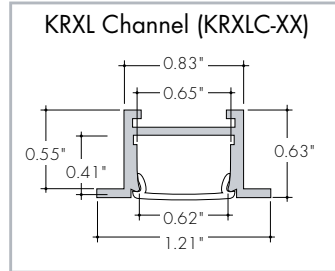
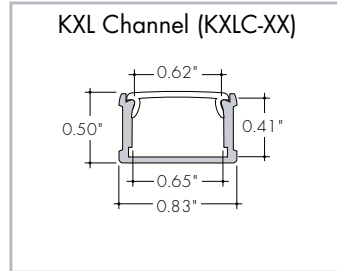
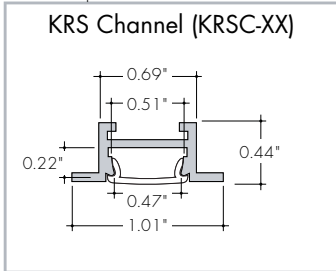


Round Square  
Frosted



13°  
Semi-Frosted

\*Not compatible with Minii connectors



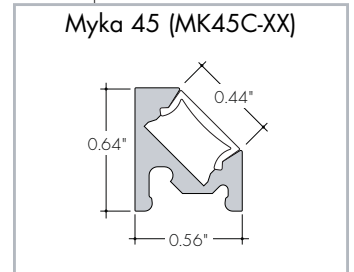
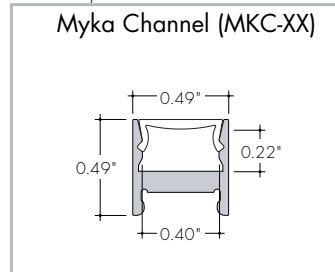
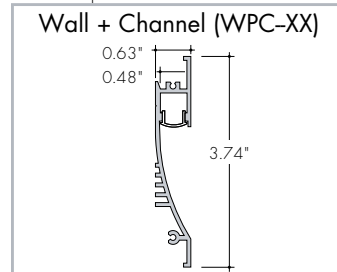
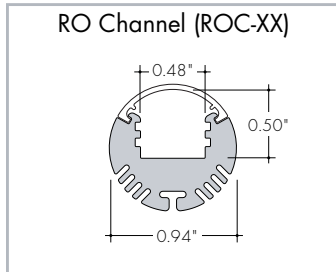
- C**  
86%
- HF**  
71%
- F**  
56%
- FF**  
60%
- M**  
64%

- C**  
79%
- HF**  
66%
- F**  
49%

- C**  
79%
- HF**  
66%
- F**  
49%

- C**  
65%
- F**  
41%

\*Not compatible with Minii connectors



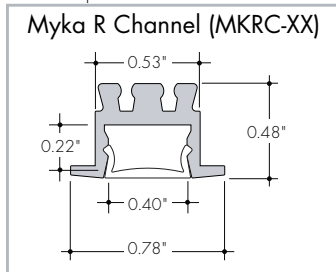
- C**  
79%
- F**  
50%

- F**  
65%

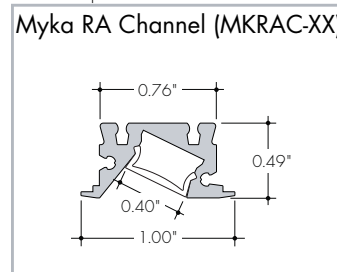
- C**  
73%
- F**  
61%
- HF**  
57%
- MF**  
45%
- BLV**  
37%
- WLV**  
25%

- C**  
73%
- F**  
61%
- HF**  
57%
- MF**  
45%
- BLV**  
37%
- WLV**  
25%

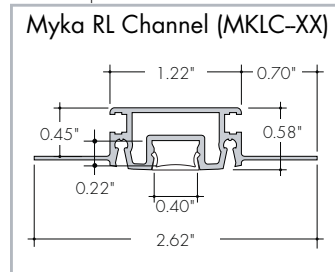
\*Not compatible with Minii connectors



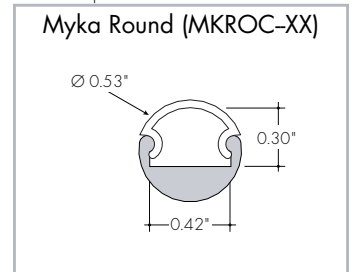
\*Not compatible with Minii connectors



\*Not compatible with Minii connectors



\*Not compatible with Minii connectors



- C**  
73%
- F**  
61%
- HF**  
57%
- MF**  
45%
- BLV**  
37%
- WLV**  
25%

- C**  
73%
- F**  
61%
- HF**  
57%
- MF**  
45%
- BLV**  
37%
- WLV**  
25%

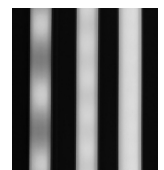
- C**  
73%
- F**  
61%
- HF**  
57%
- MF**  
45%
- BLV**  
37%
- WLV**  
25%

- RF**  
57%

**Led Dotting per Extrusion**

using the frosted lens option

Extrusion	LED Model LL42	LED Model LL72
KRS	CD	ND
KXL	ND	ND
KRXL	ND	ND
RO15	ND	ND
RO	ND	ND
WP	SD	SD
MK	SD	ND
MK45	SD	ND
MKR	SD	ND
MKRA	SD	ND
MKLC	SD	ND
MKRO	ND	ND



**CD SD ND**  
**CD** - Clear Dotting  
**SD** - Slight Dotting  
**ND** - No Dotting

**Installation**

All mounting channels are field cuttable using miter saw with circular blade suitable for cutting aluminum.

**Ordering**

Extrusions are sold separately. View respective specsheets for details on ordering extrusions and their accessories (endcaps, mounting brackets, etc).

## Power Consumption

Tested at full power with PDC Series power supplies.

Nominal Length (in)	LL42-HO	
	W/ft	Total Wattage
1	2.9	2.9
2	2.9	5.9
3	2.9	8.3
4	2.9	11.2
5	2.9	14.4
6	2.9	17.8
7	2.9	20.9
8	2.9	23.3
9	2.8	25.5
10	2.8	28.1
11	2.8	30.5
12	2.7	32.9
13	2.7	35.6
14	2.7	38.0
15	2.7	40.6
16	2.5	40.8
17	2.5	42.9
18	2.5	45.3
19	2.5	47.4
20	2.4	48.7
21	2.4	49.8
22	2.4	53.0
23	2.3	53.7
24	2.3	55.6
25	2.3	58.2
26	2.3	58.4
27	2.2	59.9
28	2.2	62.3
29	2.2	64.4
30	2.2	66.4
31	2.1	66.4
32	2.2	69.1
33	2.1	70.8
34	2.1	71.5
35	2.1	73.1
36	2.2	80.1
37	2.2	82.6
38	2.2	82.7
39	2.2	84.7
40	2.1	85.2

## Voltage Drop Calculator

The below chart assumes nominal voltage of 24 Volts and a Voltage Drop Allowance of 3% through the wire

Wattage [W]	Maximum Wire Length From Power Supply to Start of Run [ft]						
	12 AWG	14 AWG	16 AWG	18 AWG	20 AWG	22 AWG	24 AWG
<b>5</b>	1088.2	684.4	430.3	270.6	170.2	107.1	67.3
<b>10</b>	544.1	342.2	215.1	135.3	85.1	53.5	33.7
<b>15</b>	362.7	228.1	143.4	90.2	56.7	35.7	22.4
<b>20</b>	272.0	171.1	107.6	67.7	42.6	26.8	16.8
<b>25</b>	217.6	136.9	86.1	54.1	34.0	21.4	13.5
<b>30</b>	181.4	114.1	71.7	45.1	28.4	17.8	11.2
<b>35</b>	155.5	97.8	61.5	38.7	24.3	15.3	9.6
<b>40</b>	136.0	85.5	53.8	33.8	21.3	13.4	8.4
<b>45</b>	120.9	76.0	47.8	30.1	18.9	11.9	7.5
<b>50</b>	108.8	68.4	43.0	27.1	17.0	10.7	6.7
<b>55</b>	98.9	62.2	39.1	24.6	15.5	9.7	6.1
<b>60</b>	90.7	57.0	35.9	22.6	14.2	8.9	5.6
<b>65</b>	83.7	52.6	33.1	20.8	13.1	8.2	5.2
<b>70</b>	77.7	48.9	30.7	19.3	12.2	7.6	4.8
<b>75</b>	72.5	45.6	28.7	18.0	11.3	7.1	4.5
<b>80</b>	68.0	42.8	26.9	16.9	10.6	6.7	4.2
<b>85</b>	64.0	40.3	25.3	15.9	10.0	6.3	4.0
<b>90</b>	60.5	38.0	23.9	15.0	9.5	5.9	3.7
<b>96</b>	56.7	35.6	22.4	14.1	8.9	5.6	3.5

**Power Supplies**

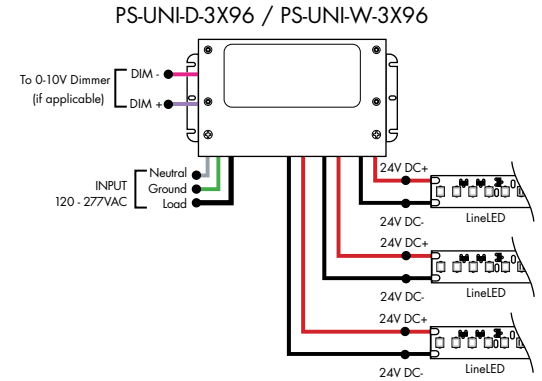
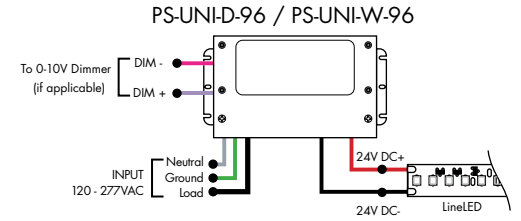
See Power Supply instructions and spec sheet for wiring information. For a complete list of compatible dimmers, see Compatible Dimming Chart on the Resources page.

**Ordering Code Universal Dimming Power Supplies 1% 120VAC - 277VAC**

MODEL	INPUT CONTROL	ENVIRONMENT	WATTAGE	OUTPUT
PS-Power Supply, 120-277VAC	UNI-0-10V Dimming, Phase Dimming	D-Dry W-Wet	30-30 Watts 60-60 Watts 96-96 Watts 3x96-3x96 Watts	24-24 VDC

Compatibility: View a complete list of compatible dimmers on product page [\(Link\)](#)

0-10V - 1% dimming  
MLV/ELV/TRIAC - 1% dimming, consult dimming compatibility chart



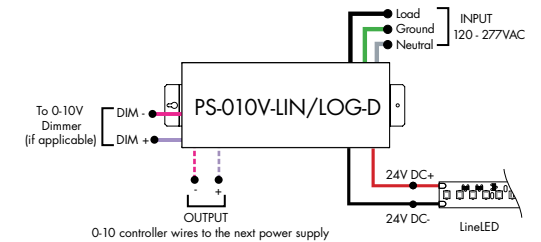
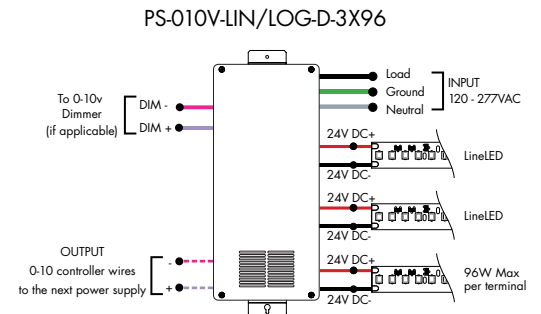
MODELS	PS-UNI-W-30W	PS-UNI-W-60W	PS-UNI-W-96W	PS-UNI-W-3X96W
<b>Length</b>	6.50"	7.40"	8.66"	11.85"
<b>Width</b>	3.73"	3.73"	3.73"	4.32"
<b>Depth</b>	1.61"	1.61"	1.61"	1.81"

MODELS	PS-UNI-D-30W	PS-UNI-D-60W	PS-UNI-D-96W	PS-UNI-D-3X96W
<b>Length</b>	8.77"	8.77"	8.11"	9.94"
<b>Width</b>	4.27"	4.27"	5.60"	7.61"
<b>Depth</b>	1.83"	1.83"	1.83"	2.02"

**Ordering Code 0-10V Dimming Power Supplies 0.1% 120VAC - 277VAC**

MODEL	INPUT CONTROL	ENVIRONMENT	WATTAGE	OUTPUT
PS-Power Supply, 120-277VAC	010V-LIN-0-10V Dimming (0.1%), Linear 010V-LOG-0-10V Dimming (0.1%), Logarithmic	D-Dry	96-96 Watts 3X96-3x96 Watts	24-24 VDC

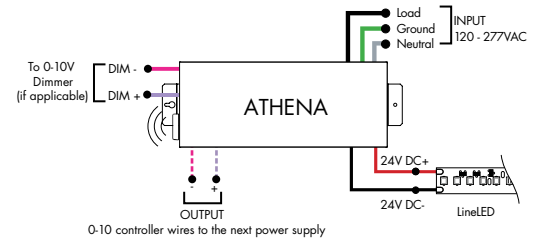
MODELS	96W	3X96
<b>Length</b>	14.40"	15.00"
<b>Width</b>	5.20"	6.62"
<b>Depth</b>	2.60"	4.45"



**Athena 0-10V LED Driver**

MODEL	INPUT CONTROL	ENVIRONMENT	WATTAGE	OUTPUT	FEATURE
PS-Power Supply, 120-277VAC	010V-LIN-0-10V Dimming, Linear 010V-LOG-0-10V Dimming, Logarithmic	D-Dry	96-96 W	24-24 VDC	AWNR-Athena

MODELS	96W
<b>Length</b>	14.40"
<b>Width</b>	5.20"
<b>Depth</b>	2.60"



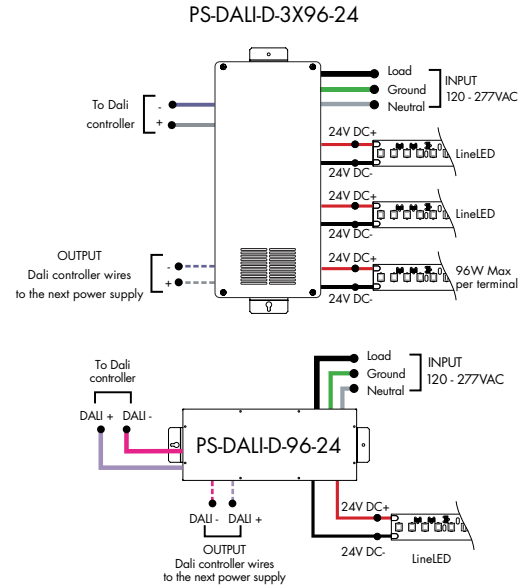
**Power Supplies**

See Power Supply instructions and spec sheet for wiring information. For a complete list of compatible dimmers, see Compatible Dimming Chart on the Resources page.

**Ordering Code DALI1 Dimming Power Supplies 0.1% 120VAC - 277VAC**

MODEL	INPUT CONTROL	ENVIRONMENT	WATTAGE	OUTPUT
PS-Power Supply, 120-277VAC	DALI-DALI (0.1%)	D-Dry	96-96 Watts 3X96-3X96 Watts	24-24 VDC

Model	96W	3X96
Length	14.40"	15.00"
Width	5.20"	6.62"
Depth	2.60"	4.56"

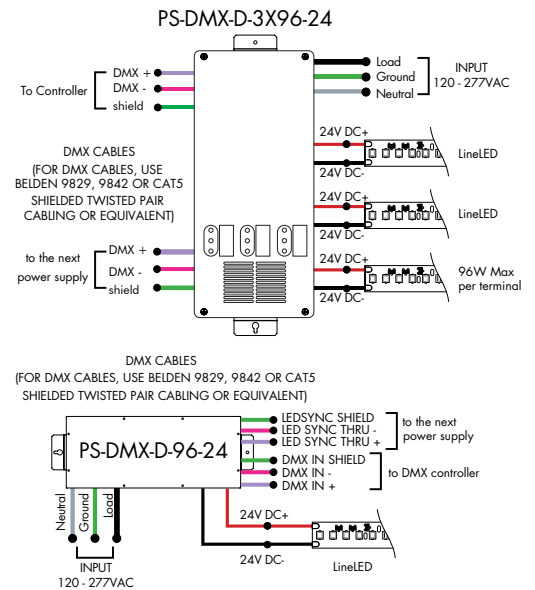


**Ordering Code DMX Dimming Power Supplies 0.1% 120VAC - 277VAC** Requires Zonal Control

MODEL	INPUT CONTROL	ENVIRONMENT	WATTAGE	OUTPUT
PS-Power Supply, 120-277VAC	DMX-DMX (0.1%)	D-Dry	96-96 Watts 3X96-3X96 Watts	24-24 VDC

\*Zonal control power supplies. Control multiple tapes/zones using DMX channels.

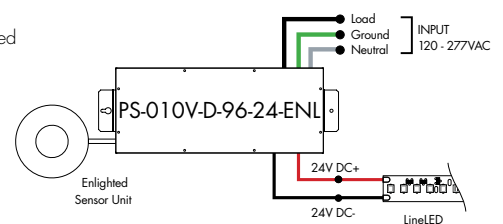
MODELS	96W	3X96
Length	14.40"	15.00"
Width	5.20"	6.62"
Depth	2.60"	4.56"



**Ordering Code Enlighted Enabled Dimming Power Supplies 1% 120VAC - 277VAC**

MODEL	INPUT CONTROL	ENVIRONMENT	WATTAGE	OUTPUT	FEATURE
PS-Power Supply, 120-277VAC	010V-0-10V Dimming (1%)	D-Dry	96-96 Watts	24-24 VDC	ENL-0-10V Enlightened

Model	96W
Length	14.40"
Width	5.20"
Depth	2.60"



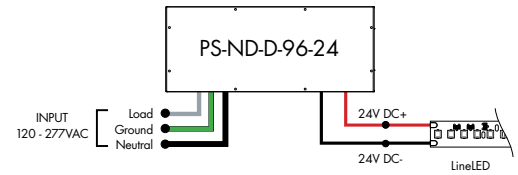


### Power Supplies

See Power Supply instructions and spec sheet for wiring information. For a complete list of compatible dimmers, see Compatible Dimming Chart on the Resources page.

#### Ordering Code Non-Dimming Power Supply 120VAC - 277VAC

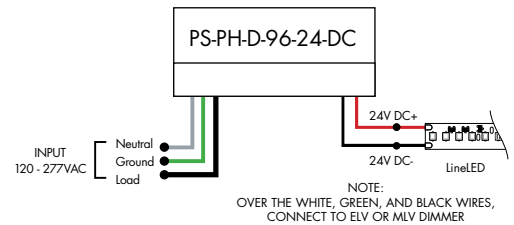
MODEL	INPUT CONTROL	ENVIRONMENT	WATTAGE	OUTPUT
PS - Power Supply, 120-277VAC	ND - Non Dimming	D - Dry	96-96 Watts	24 - 24 VDC



MODELS	96W
Length	14.40"
Width	5.20"
Depth	2.60"

#### Ordering Code Phase Dimming Power Supply 1% 120VAC - 277VAC

MODEL	INPUT CONTROL	ENVIRONMENT	WATTAGE	OUTPUT	OUTPUT CONTROL
PS - Power Supply, 120-277VAC	PH - Phase Dimming (Triac, ELV, MLV)	D - Dry	96-96 Watts	24-24 VDC	DC - Direct Current

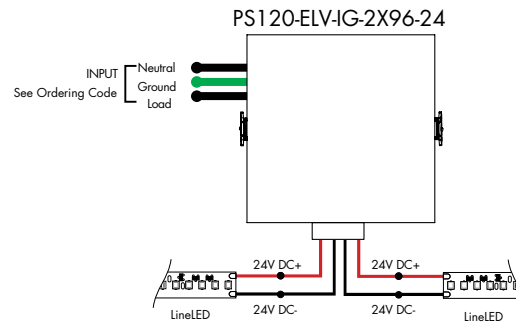


MLV/ELV/TRIAC - 1% dimming, consult dimming compatibility chart ([Link](#))

MODELS	96W
Length	8.25"
Width	4.10"
Depth	1.56"

#### Ordering Code In-Ground Power Supplies

MODEL	INPUT CONTROL	ENVIRONMENT	WATTAGE	OUTPUT
PS120 - Power Supply, 120VAC PS240 - Power Supply, 240VAC PS277 - Power Supply, 277VAC	ELV - ELV Dimming (1%)	IG - In Ground	2X96-2X96 Watts	24-24 VDC



MODELS	2X96W
Length	8.40"
Width	8.30"
Depth	8.10"

**Power Supplies**

See Power Supply instructions and spec sheet for wiring information. For a complete list of compatible dimmers, see Compatible Dimming Chart on the Resources page.



Luminii is a Lutron OEM Advantage Partner

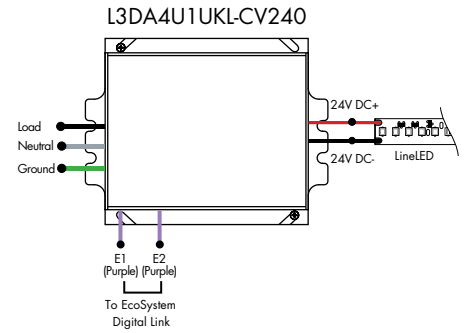
**Lutron Power Supplies 1%**

MODEL

**L3DA4U1UKL-CV240**

HiLume™ 1% EcoSystem Voltage LED driver  
40W max

MODELS	L3DA4U1UKL-CV240
<b>Length</b>	4.98"
<b>Width</b>	4.00"
<b>Depth</b>	2.62"



Luminii is a Lutron OEM Advantage Partner

**Lutron Power Supplies 0.1%**

MODEL

**L3D0-96W24V-U**

HiLume™ 0.1% EcoSystem Voltage LED Driver with Soft-On, Fade-to-Black™  
96W max

MODELS	L3D0
<b>Length</b>	10.50"
<b>Width</b>	5.50"
<b>Depth</b>	2.00"

