

Features

The LIN Channel is a linear aluminum extrusion that has been designed for mud-in installations. Substantial aluminum mass in profile provides excellent heat sink for high power LEDs. Mounting brackets and endcaps are sold separately.

Diffuser Lens

Polycarbonate, snap-in-place, UV resistant

Warranty

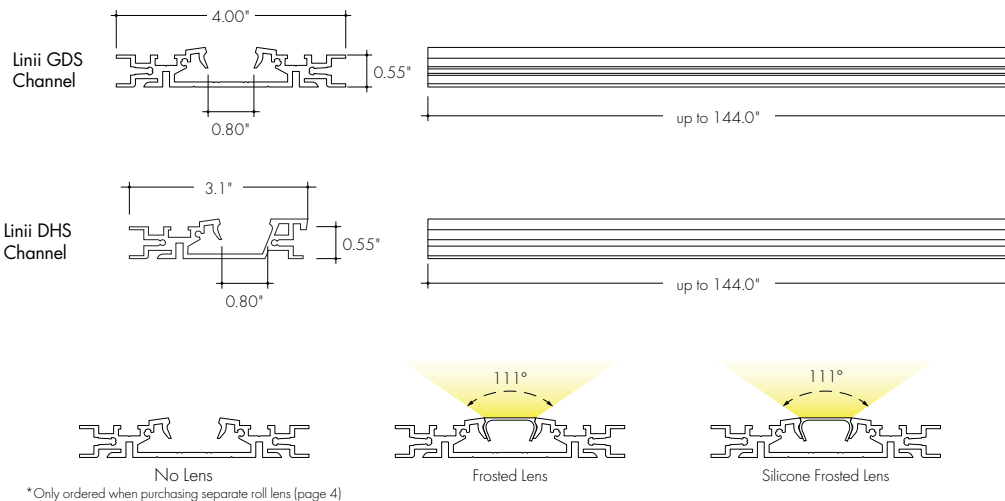
7 Years

Mounting

Mounting brackets (page 2)



Product Dimensions



* Only ordered when purchasing separate roll lens (page 4)

INCLUDED MOUNTING ACCESSORIES

EXTRUSION LENGTH	Mounting Bracket Pairs	ENDCAP PAIR
48"	1	1
72"	1	1
96"	1	1
120"	1	1
144"	1	1

TRANSMISSION PERCENTAGE
(COMPARED TO LED TAPE WITHOUT CHANNEL)

LENS	TRANSMISSION %
Frosted Silicone Lens	56%
Frosted Lens	52%

See LED tape spec sheet for lens dotting characteristics & compatibility

Each pair of endcaps includes 1x H3 (no wire feed hole) and 1x H4 (with hole) where applicable. Additional endcaps and mounting clips are available for purchase.

Ordering Code

MODEL	LENGTH	LENS	MOUNTING ⁴	FINISH
LINC-LIN Channel ^{1,2}	48-48" 72-72" 96-96" ³ 120-120" ³ 144-144" ³	F-Frosted FS-Frosted Silicone N-None	GDS-Gypsum To Drywall Surface DHS-Drywall to Hard Surface	MILL-Mill

1 - Joiners are not included with channel, order Joiners as necessary.

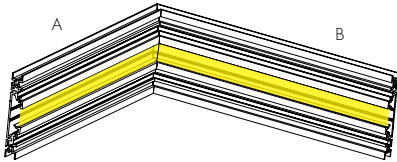
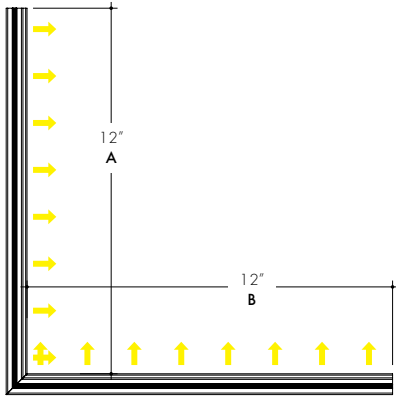
2 - 2 Mounting Clips are included with each corner. Order additional Mounting Clips as necessary.

3 - For Channels and Lenses over 96", incremental shipping charges will apply.

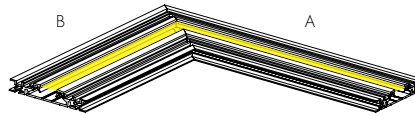
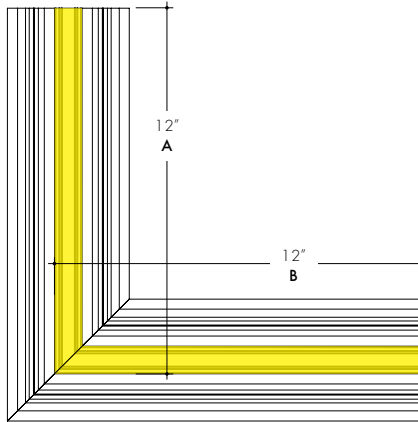
4 - Mounting Clips are included with channel. Refer to chart above for provided mounting clip quantities. Order additional Mounting Clips as necessary.

Linii GDS Channel Corner Options

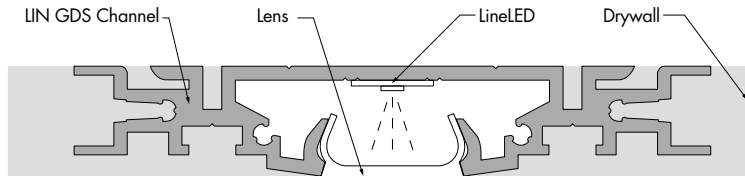
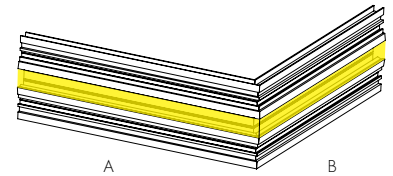
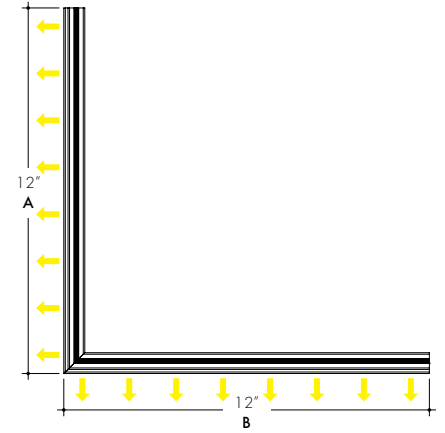
LINC-IC-90-X-GDS
Inner Corner



LINC-FC-90-X-GDS
Flat Corner



LINC-OC-90-X-GDS
Outside Corner



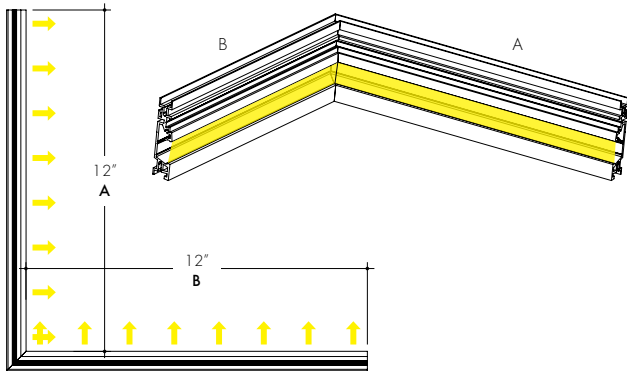
Ordering Code

MODEL	CORNER TYPE ²	CORNER ANGLE	LENS	MOUNTING ³	FINISH
LINC-Linii Channel ¹	IC-Inner Corner FC-Flat Corner OC-Outer Corner	90-90°	F-Frosted FS-Frosted Silicone N-None	GDS-Drywall to Drywall	MILL-Mill

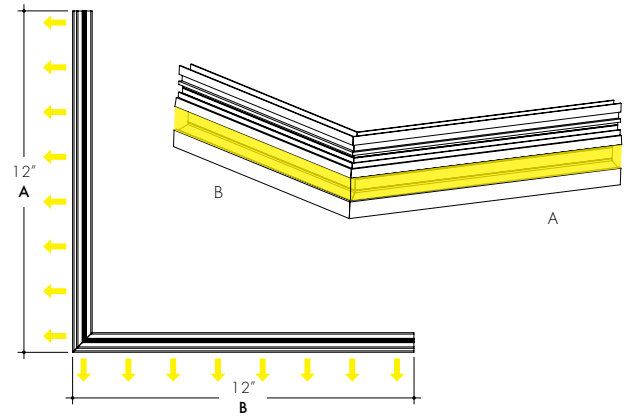
1 - End Caps are not included with channel, order End Caps as necessary.
 2 - Custom Corner angle are available upon request.
 3 - 2 Joiners are included with each corner. Order additional Joiners as necessary.

Linii DHS Channel Corner Options

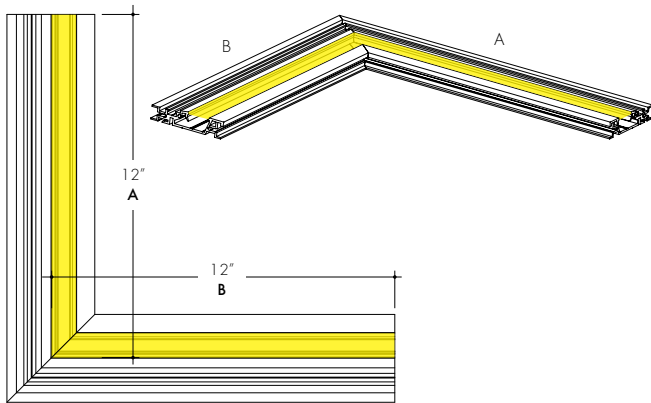
LINC-IC-90-X-DHS
Inner Corner



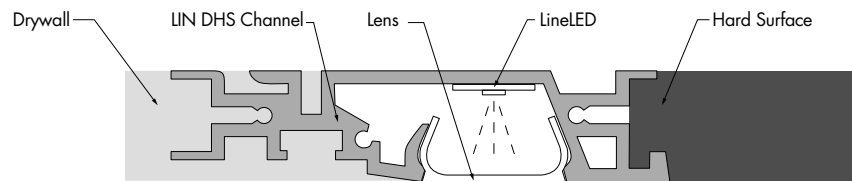
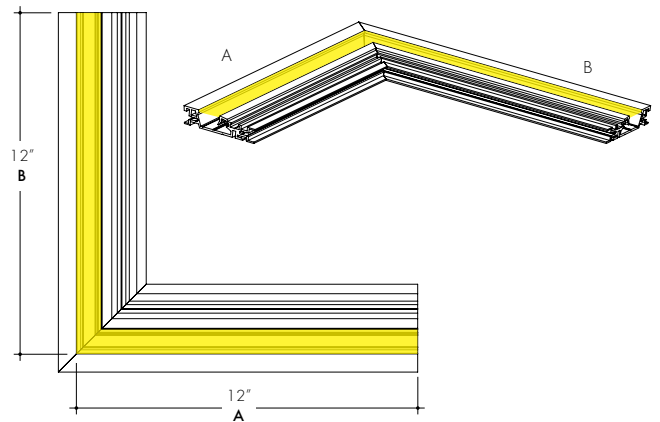
LINC-OC-90-X-DHS
Outer Corner



LINC-FC1-90-X-DHS
Flat Corner (Option 1)



LINC-FC2-90-X-DHS
Flat Corner (Option 2)



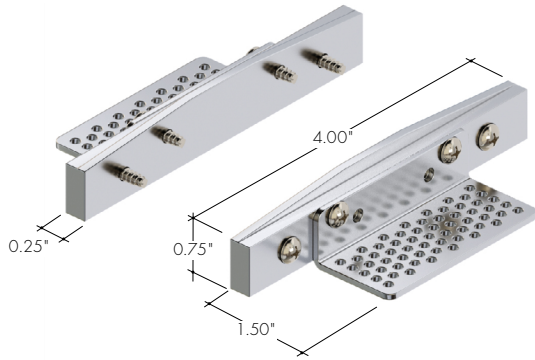
Ordering Code

MODEL	CORNER TYPE	CORNER ANGLE	LENS	MOUNTING ²	FINISH
LINC-Linii Channel ¹ Corner	IC-Inner Corner FC1-Flat Corner (Option 1) FC2-Flat Corner (Option 2) OC-Outer Corner	90-90°	F-Frosted FS-Frosted Silicone N-None	DHS-Drywall to Hard surface	MILL-Mill

1 - End Caps are not included with channel, order End Caps as necessary.
 2 - Custom Corner angle are available upon request.
 3 - 2 Joiners are included with each corner. Order additional Joiners as necessary.

All accessories sold separately.

Aluminum Endcap (x2)

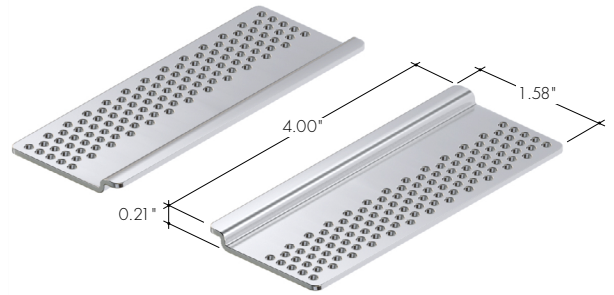


ORDERING CODE

EC-LIN-H3-AL

EC-LIN-H3-AL - LIN Channel Endcap (x2) screws included

Aluminum Screw-in Mounting Bracket (x2)



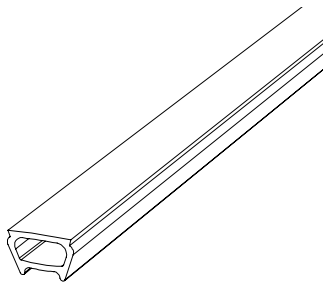
ORDERING CODE

MB-LIN-AL

MB-LIN-AL - Aluminum Screw-in Mounting Bracket (x2) screws included

LINC-FS-XX

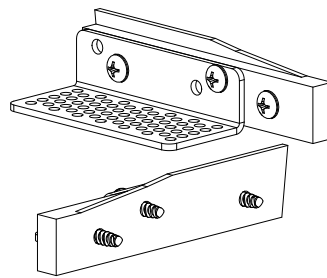
Order in 10' increments up to 160'



Pair with Lini Channel ("No lens" option in extrusion ordering code) for continuous runs extending past 144". Field cuttable, order in 10ft increments up to 160ft.

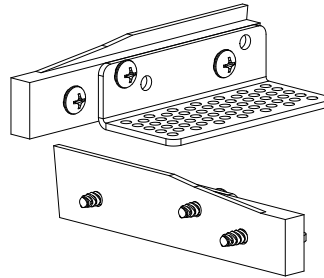
EC-LINC-DHS-LEFT

DHS Left Endcap, screws included



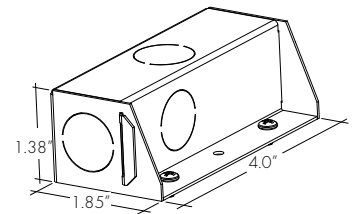
EC-LINC-DHS-RIGHT

DHS Rights Endcap, screws included



JB-LINC

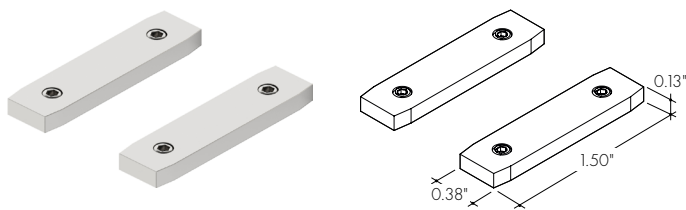
Lini Junction Box, screws included



Joiners

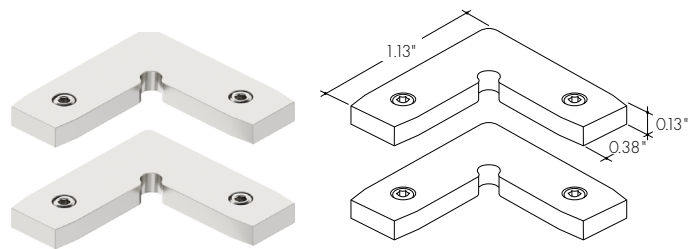
JOIN-M-ST

Medium Channel Straight Joiner, sold in pairs



JOIN-M-L

Flat Corner Joiner, sold in pairs - not needed if directly ordering corner assembly



JOIN-M-IN

Inner or Outer Corner Joiner, sold in pairs - not needed if directly ordering corner assembly

