

# LETO 44 Mini T

TRACK LED SPOTLIGHT



**Leto 44 Mini T - Track LED Spotlight.** LETO 44 Mini T is a track version of the Medium Leto 44 Mini. It offers an articulating, short-stem spotlight combined with a versatile and efficient LED. Excels in display based spaces like galleries, industrial and retail.

## Ordering Code

Fixture **664**

1 2 3 4 5 6 7 8

Driver

1 2 3 4

## Product Specifications

SAMPLE: Fixture 664 - A90 - 617 - 27 - 07 - 00 - 01 - 01 | Driver STD - 120 - A90 - 07

1 - Model	2 - CRI/LED	3 - Optic	4 - CCT	5 - Lumen	6 - Accessory
<b>664</b> · Leto 44 Mini One Circuit	<b>A90</b> · 93+ CRI Accuracy <b>WD</b> · Warm Dimming <sup>WD</sup> (90 CRI)	<b>617</b> · 17° <b>630</b> · 30° <b>645</b> · 45°	<b>25</b> · 2500K <b>27</b> · 2700K <b>30</b> · 3000K <sup>WD</sup> <b>35</b> · 3500K <b>40</b> · 4000K <b>65</b> · 6500K	<b>07</b> · 700 (6.1W) <sup>WD</sup> <b>10</b> · 1000 (9.1W) <sup>WD</sup> <b>15</b> · 1500 (14W)	<b>00</b> · No Accessory <b>DL</b> · Diffusing Film <b>HO</b> · Honeycomb
<b>665</b> · Leto 44 Mini Two Circuit					
<b>666</b> · Leto 44 Mini <sup>†</sup> Three Circuit					

7 - Body Color		8 - Baffle Color		1 - Driver	Dim Level	2 - Voltage	3 - CRI/LED	4 - Lumen
<i>Standard</i>	<i>Premium</i>	<i>Standard</i>	<i>Premium</i>	<b>STD</b> · Non Dimming	N/A	<b>120</b> · 120V	Same as Fixture	Same as Fixture
<b>01</b> · White	<b>52</b> · Mocha	<b>01</b> · White	<b>52</b> · Mocha	<b>LCS</b> · 0 - 10 Volt Protocol <sup>WD</sup>	1%	<b>277</b> · 277V		
<b>02</b> · Black	<b>53</b> · Charcoal	<b>02</b> · Black	<b>53</b> · Charcoal	<b>DIM</b> · Phase <sup>†</sup>	1%			
<b>08</b> · Silver	<b>54</b> · Cerulean	<b>08</b> · Silver	<b>54</b> · Cerulean					
	<b>55</b> · Firebrick		<b>55</b> · Firebrick					
	<b>BZ</b> · Bronze		<b>BZ</b> · Bronze					
	<b>WN</b> · Warm Nickel		<b>WN</b> · Warm Nickel					
	<b>AB</b> · Aged Brass		<b>AB</b> · Aged Brass					
	<b>XX</b> · RAL		<b>XX</b> · RAL					

<sup>†</sup> 120V only

<sup>WD</sup> Must select when specifying **WD** - Warm Dimming

# LETO 44 Mini T

TRACK LED SPOTLIGHT



## LED Module Performance

- Output:** up to 1500lm
- High Efficacy:** up to 110 lumen/Watt
- Color Options (CCT):** 2500K, 2700K, 3000K, 3500K, 4000K, 6500K
- Color Consistency:** Range within a 3-MacAdam Ellipse
- Color rendering (CRI):** 93+ CRI & 50+ R9 Value

## Driver and Power Consumption

- Dimming:** 1% dimming standard
- Ripple:** Industry leading Low ripple
- Efficiency:** Power Factor >0.9  
Efficiency over 85%  
Class 2 output for safety

Lumen Option	700lm	1000lm	1500lm
Fixture Wattage	6.1W	9.1W	14W
Delivered Lumen	668lm	1002lm	1441lm

## Light Engine: Warm Dimming

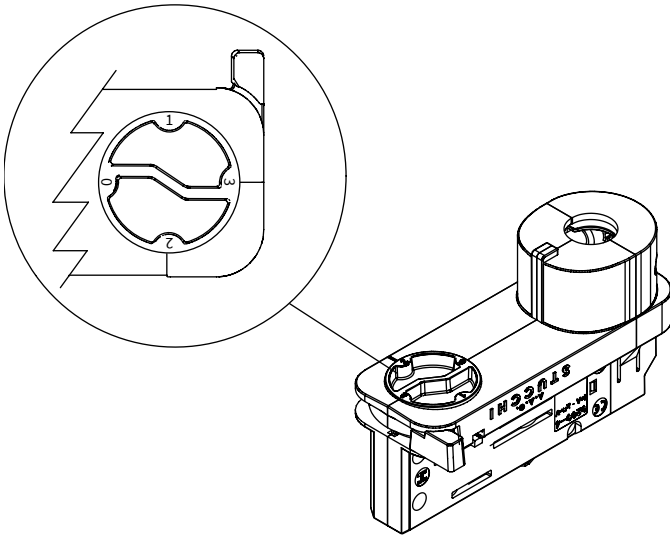
- Output:** 1000lm
- High Efficacy:** up to 98 lumen/Watt
- Color Temperature (CCT):** 3000K dimmed to 1800K
- Color Consistency:** Range within a 3-MacAdam Ellipse
- Color rendering (CRI):** 90 CRI

## Driver

- Dimming:** 1% dimming standard with 0.1% option  
Dimmer switch must be capable of dimming less than 5% (Lutron DIVA is recommended)
- Ripple:** Industry leading Low ripple
- Efficiency:** Power Factor >0.9  
Efficiency over 85%  
Class 2 output for safety
- Installation:** Small Footprint allows retrofit installations

## 1 / 2 / 3 Circuit Switch

When the track is connected to a two or three-circuit system, it is possible to select the phase (L1, L2 or L3) of each luminaire in your system using the selector under the adapter.



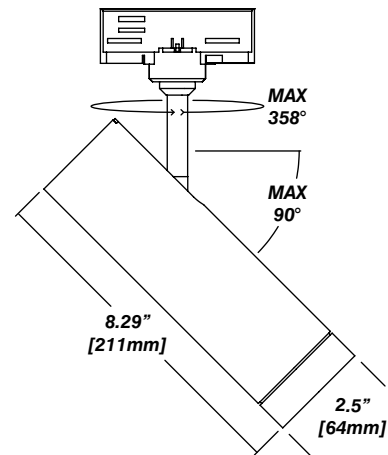
## Installation

- 358° rotation
- 0° to 90° tilt
- Includes track adapter (single or dual phase)

## Construction

- Machined aluminum construction
- High quality, scratch resistant powder coated finish in standard, premium or custom colors
- Made in Canada

## Dimensions

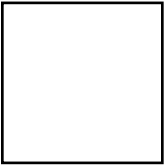


# LETO 44 Mini T

TRACK LED SPOTLIGHT

## Standard Finishes

01 - White



02 - Black



08 - Silver



## Premium Finishes

55 - Mocha



56 - Charcoal



57 - Cerulean



58 - Firebrick



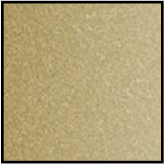
BZ - Bronze



WN - Warm Nickel



AB - Aged Brass



## Accessories

Diffusing Film



Honeycomb

