

# LETO 15

TRACK LED SPOTLIGHT



**Leto 15 - Track Mount Spotlight.** Leto 15 spotlight is a robust LED track lighting solution, with powerful options available. This fixture has many stylish applications it can be used in warehouses, high office bays and open ceiling concepts.

## Ordering Code

Fixture	<b>659</b>						
	1	2	3	4	5	6	7
Driver			--	--			
	1	2	3	4			

## Product Specifications

**SAMPLE:** Fixture **659 - A90 - 624 - 27 - 20 - 02 - 00** | Driver **STD - 120 - 90 - 20**

1 - Model	2 - CRI/LED	3 - Optic	4 - CCT	5 - Lumen	6 - Finish	7 - Accessory
<b>659</b> · Leto 15 Two Circuit	<b>A90</b> · 93+ CRI Accuracy	<b>624</b> · 24° <b>640</b> · 40°	<b>25</b> · 2500K <b>27</b> · 2700K <b>30</b> · 3000K <b>35</b> · 3500K <b>40</b> · 4000K <b>65</b> · 6500K	<b>20</b> · 2000 (20.8W) <b>30</b> · 3000 (33.7W) <b>40</b> · 4000 (52W)	<b>01</b> · White <b>02</b> · Black <b>08</b> · Silver <b>XX</b> · Custom	<b>00</b> · No Accessory <b>HO</b> · Honeycomb <b>SN</b> · Snoot
<b>660</b> · Leto 15 <sup>*1</sup> Three Circuit						

1 - Driver	Dim Level	Dim Level	2 - Voltage	3 - LED	4 - Lumen
<b>STD</b> · Non Dimming	N/A	<b>DALI</b> · Dali Protocol	<b>120</b> · 120V	Same as Fixture	Same as Fixture
<b>LCS</b> · 0 - 10 Volt Protocol	10%	<b>LUTES</b> · Hilume Ecodigital	<b>277</b> · 277V		
<b>DIM</b> · Phase <sup>*1</sup>	10%	<b>LUT2W</b> · 2 Wire for phase <sup>*1</sup>			
<b>ELDOLC</b> · EldoLED 0 - 10 Volt	0.1%	<b>CSMB</b> · Casambi Wireless Control <sup>*2</sup>			

\*1 120V only  
\*2 specified separately

Project : \_\_\_\_\_  
 Quantity : \_\_\_\_\_  
 Type : \_\_\_\_\_  
 Notes : \_\_\_\_\_

# LETO 15

TRACK LED SPOTLIGHT

## Accessories

### Snoot

- Rigid opaque acrylic
- Creates a subtle accent detail
- Helps uniformly direct light



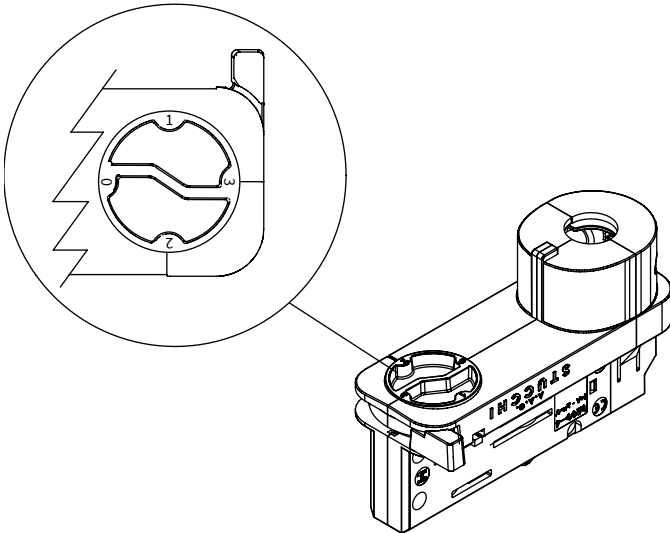
### Louver

- 95% open area with 45° cut-off
- Made from cold-rolled steel
- Black polymer coating with eggshell finish



## 1 / 2 / 3 Circuit Switch

When the track is connected to a two or three-circuit system, it is possible to select the phase (L1, L2 or L3) of each luminaire in your system using the selector under the adapter.

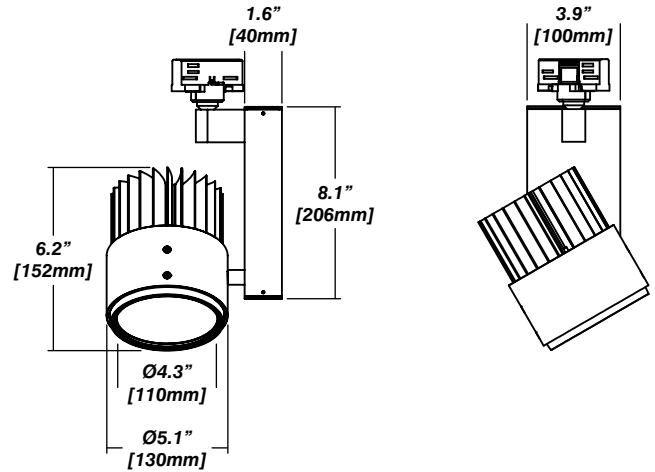


## General

- 350° rotation
- 0° to 130° tilt and lock
- Includes track adapter (single or dual phase)

## Construction / Finish

- Cast Aluminum Trim and Steel Casing
- Satin powder coat finish
- Made in Canada



# LETO 15

TRACK LED SPOTLIGHT

## Photometrics

Senso's in-house photometric testing ensures that our lighting design can match your needs precisely. Our Goniophotometer and testing lab produces on-demand photometry files based on any specified fixture, including LM-79 Test reports, IES Files, and CRI/CCT measurements. See [Sensolighting.com](http://Sensolighting.com) for more information.

*\*Full photometric Reports and IES files available for every configuration*

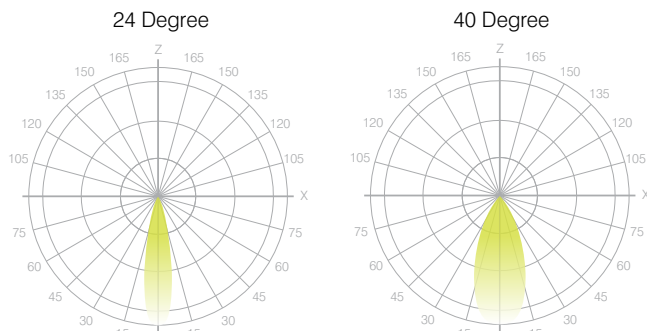
## Color Metrics

### TM 30-15

Our clients deserve the best information possible about their lighting choices. That's why Senso has invested in the Illuminating Engineering Society (IES) TM 30-15, a new system that measures an LED light source's color rendering properties. Using Senso's state-of-the-art goniophotometer, this method identifies the optimal light source for your project and helps evaluate the trade-offs between efficacy and color rendering. Senso can provide TM 30-15 data for all of our products.

*\*Full Color Metric Info Available at [Sensolighting.com](http://Sensolighting.com)*

## Leto Light Distribution



## LED Module Performance

**Output:** Up to 93 lumen/Watt

**Efficacy:** Color consistency within a 3-MacAdam Ellipse

**CCT:** 2500K - 6500K

**Color Rendering:** 93+ CRI

**Min. R Values:** R<sup>9</sup>- 60 R<sup>1</sup>- 90 R<sup>a</sup>- 100

## Driver and Power Consumption

**Dimming:** 1% dimming standard with 0.1% option

**Ripple:** Industry leading Low ripple

**Efficiency:** Power Factor >0.9

Efficiency over 85%

Class 2 output for safety

**Installation:** Remote mounted

<b>Lumen Option</b>	2000lm	3000lm	4000lm
<b>Fixture Wattage</b>	20.8W	33.7W	52W
<b>Delivered Lumen</b>	1951lm	2990lm	4065lm