



Features

Kurba Large is a dot free direct view, highly versatile, energy efficient and flexible LED strip suitable for Sauna and Spa locations capable of horizontal/side bends and vertical/top bends with a 6" bending radius. The silicone material offers excellent heat, weather, UV, and solvent resistance and has a special coating to repel dust and dirt accumulation.

Applications

Sauna and Spa locations

Materials

Silicone for Red list approved, as well as heat, weather, UV, and solvent resistance

Dimming

Dimable down to 1%. Dot Free even illumination. Also available with Black Lens

Average Life (L70)

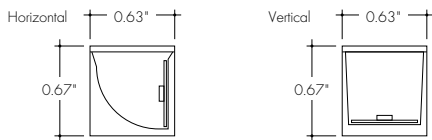
50,000 hours

Approvals

24VDC Class 2 wet listed, IP67

Warranty

3 years



Finish Options (see page 2 for additional information)

Base White

RoHS Declare.



Technical Information

Bending Direction	Horizontal	Vertical
Output	33LO	33LO
Light Output at 3000K	89 lm/ft	98 lm/ft
Average Power Consumption at 4'	1.83 W/ft	1.83 W/ft
Efficacy	49 lm/W	54 lm/W
Ordering Increment	2.19"	2.19"
Maximum Run Length (In Series)	32'	32'
Operating Temperature Range	-40°F to 194°F	-40°F to 194°F

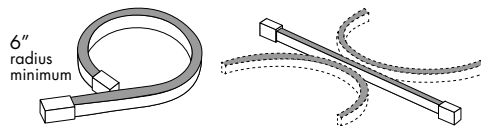
CCT INFO / LUMEN MULTIPLIER	
Color Temperature	Multiplier (ref. -3000K)
2200K	0.83
2400K	0.97
2700K	1.00
3000K	1.00
3500K	1.01
4000K	0.99

Note: 80 CRI

Constraints

Horizontal Bend Direction

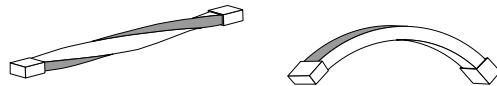
Bend LED in these positions only to avoid damage



Illuminated surface shown in gray

Horizontal Prohibited Bends

Twisting or bending LED in these positions will cause damage

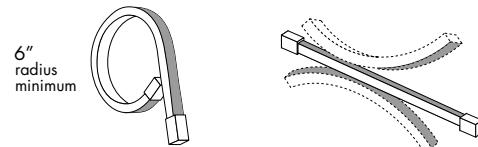


Illuminated surface shown in gray

Do not make sharp bends near the endcap

Vertical Bend Direction

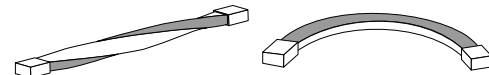
Bend LED in these positions only to avoid damage



Illuminated surface shown in gray

Vertical Prohibited Bends

Twisting or bending LED in these positions will cause damage



Illuminated surface shown in gray

Do not make sharp bends near the endcap

Ordering Code

MODEL	RATING	BEND DIRECTION	LENGTH	OUTPUT ¹	CCT	LENS	MOUNTING	FINISH	FEED POSITION LEFT	FEED POSITION RIGHT
KBL - Kurba Large	SN - Sauna	HB - Horizontal Bending VB - Vertical Bending	SEE PCC CHART ON PAGE 6	33LO - Low	22K - 2200K 24K - 2400K 27K - 2700K 30K - 3000K 35K - 3500K 40K - 4000K	SF - Silicone Frosted	NA - See Page 4 - 5 for orderable mounting accessories	WH - White	INJECTION MOLD IME - End Feed 1 IMB - Back Feed 1 IMSA - Side 1 Feed IMSB - Side 2 Feed ² NPF - No Power Feed ³	INJECTION MOLD IME - End Feed 1 IMB - Back Feed 1 IMSA - Side 1 Feed IMSB - Side 2 Feed ² NPF - No Power Feed ³

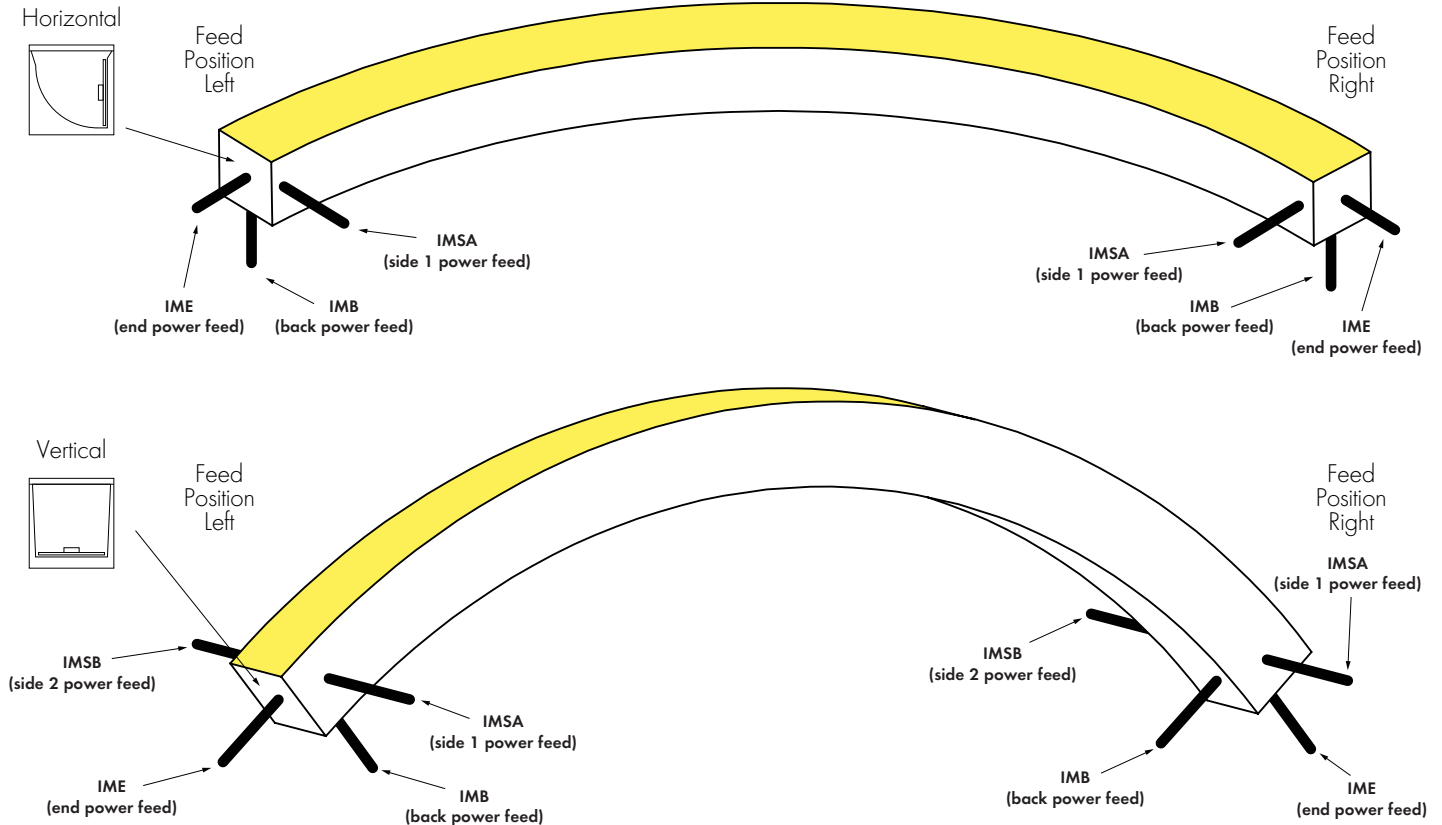
Feeds come with 118" wire leads

1 - Title 24 JA8 compliance achievable, contact factory for specific requests
2 - IMSB - Side 2 Feed not available with HB - Horizontal Bending

3 - NPF-NPF for Feed Position 1&2 is not a valid configuration option

Powerfeeds and Connectors

Power Feed Position Options and Orientation

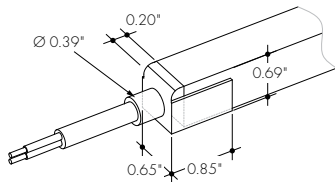


NOTE: IMSB - Side 2 Feed not available with HB - Horizontal Bending

Linking and Extension Cable Options

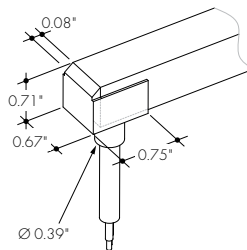
END CONNECTOR

Injection-molded End Connector
-IME



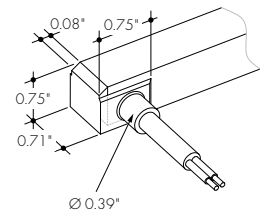
BACK CONNECTOR

Injection-molded Back Connector
-IMB



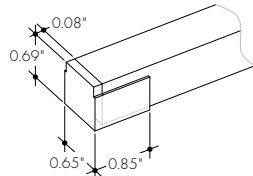
SIDE CONNECTOR

Injection-molded Side Connector
-IMSA and -IMSB



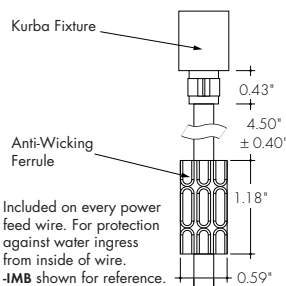
ENDCAP (NO CONNECTOR)

Injection-molded Cap (No Connector)
-NPF

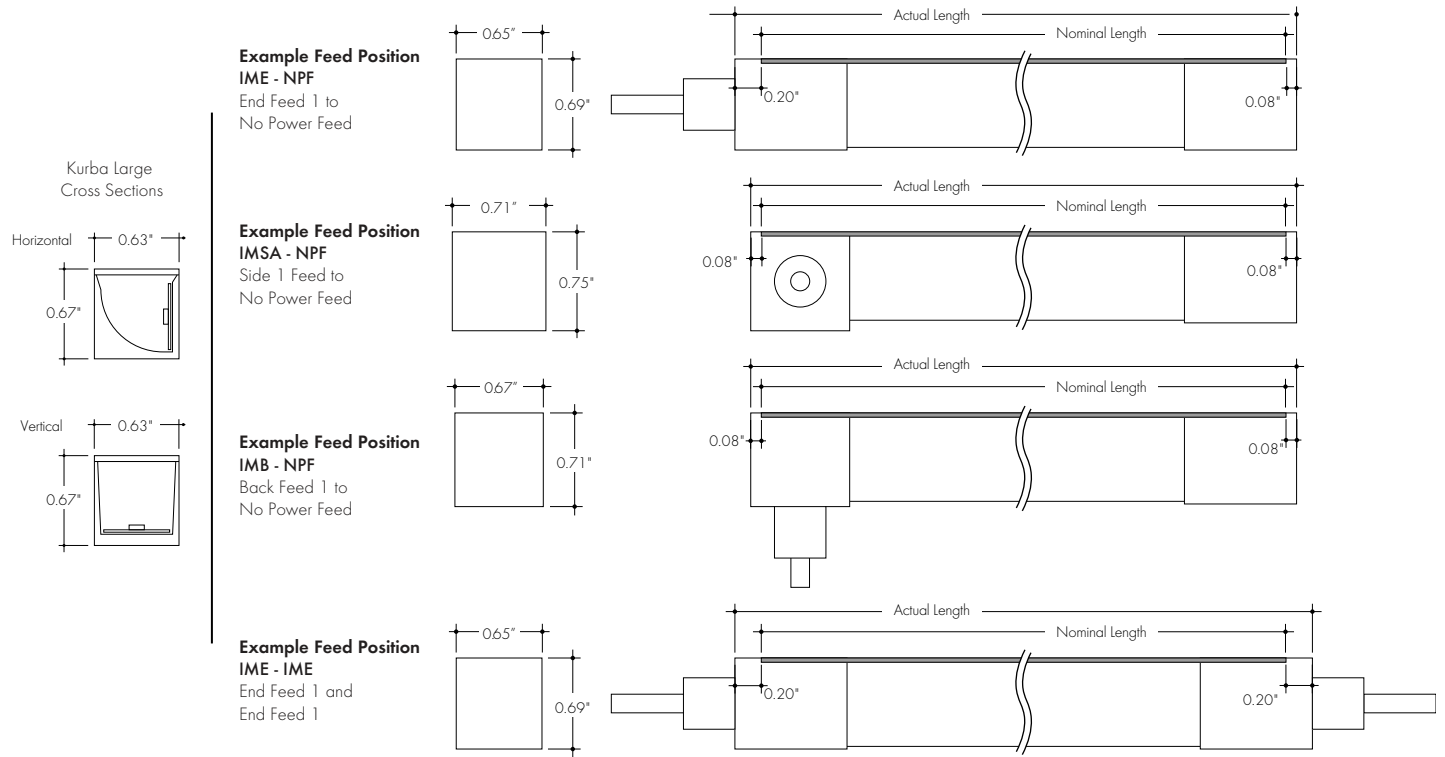


ANTI-WICKING FERRULE

Included on every power feed wire

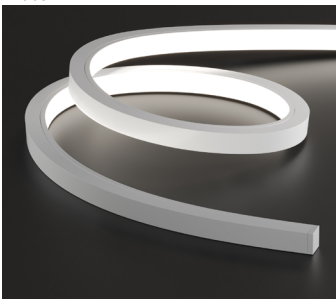


Product Dimensions



Finish Options

White Base



Kurba's base finish is a crisp white which brings a timeless, clean aesthetic that brightens and enhances any space

Light Transmission and Dotting

Output Options	Lens/Accessory					
	Silicone Frosted/ White Finish	Silicone Frosted/ Red Finish	Silicone Frosted/ Green Finish	Silicone Frosted/ Blue Finish	Silicone Frosted/ Black Finish	Black Lens/ Black Finish
HE38LO	ND	ND	ND	ND	ND	ND
Transmission Percentage	100%	80%	80%	80%	80%	17%

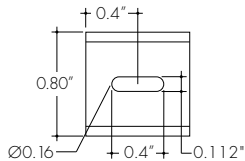
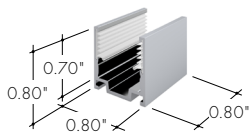


CD SD ND
CD - Clear Dotting
SD - Slight Dotting
ND - No Dotting

Mounting Accessories

MC-KBL-SAP-SM-0.8-SA

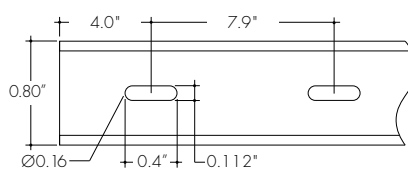
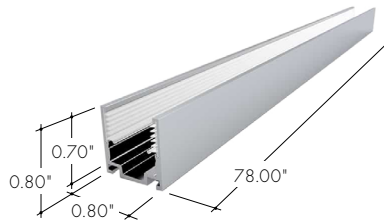
KBL Mounting Channel, Serrated Aluminum Profile, Surface Mount, 0.8in, Silver Anodized



For use with light strip mounted to the ceiling. 1 recommended every 8 in.

MC-KBL-SAP-SM-78-SA

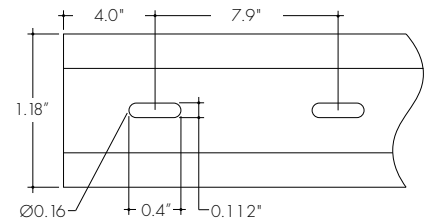
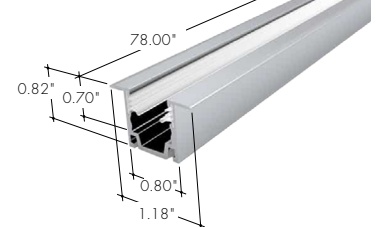
KBL Mounting Channel, Serrated Aluminum Profile, Surface Mount, 78in, Silver Anodized



For use with light strip mounted to the ceiling.

MC-KBL-FSAP-TR-78-SA

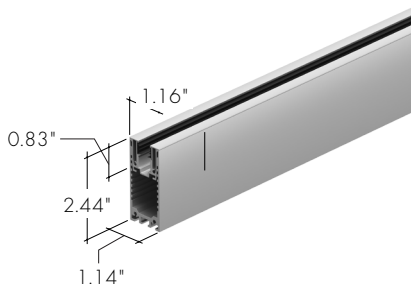
KBL Mounting Channel, Flanged Serrated Aluminum Profile, Trimmed Recessed Mount, 78in, Silver Anodized



Flanged aluminum mounting channel providing grip. For use with light strip recessed into the ceiling.

MC-KBL-RCWY-SM-78-SA

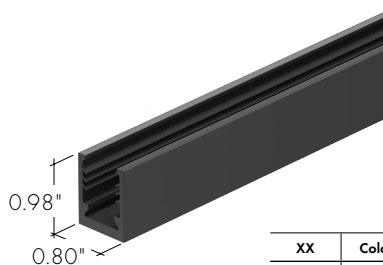
KBL Mounting Channel, Raceway, Surface Mount, 78in, Silver Anodized



Raceway channel allows for hidden cable management and is a superb option where tidiness is required.
NOTE: Compatible with **IMB** - Back Feed only

MC-KBL-BANP-3D-SM-39-XX

KBL Mounting Channel, Bendable Silicone Profile, 3D Bending, Surface Mount, 39", 6" bending radius

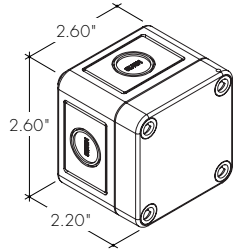


XX	Color
WH	White
BK	Black

Optional Connectors

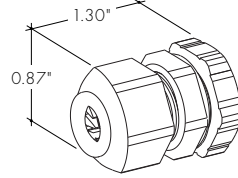
LVSP-WET

Splice box: wet rated, low voltage, gray



LVSP-WET-CM

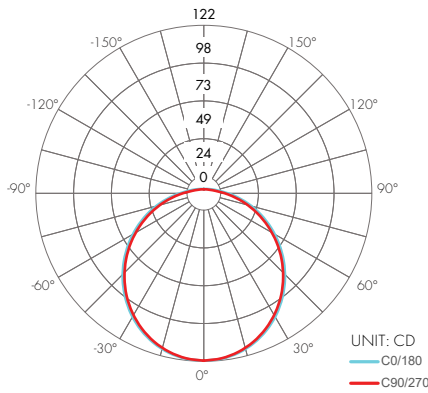
Connector for splice box, low voltage for cable management, gray



Photometry

KBL-SN-HB-48-33LO-30K-SF-NA-WH

Kurba Large Sauna, Horizontal Bend, 4ft, 33LO output, 3000K, Silicone Frosted Lens



Zonal Lumen Summary 3000K

Zone	Lumen	% Fixture
0-30	94	26.4%
0-40	129	36.2%
0-60	273	76.6%
0-90	355	99.7%
Total	356	100.0%

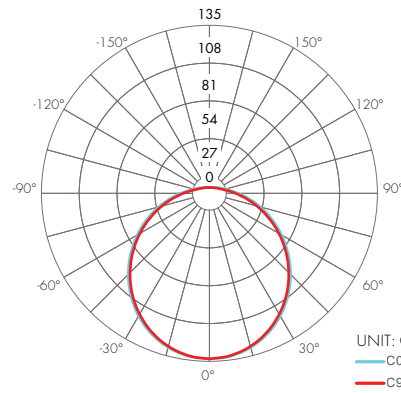
Beam Angle



UNIT: CD
 — C0/180
 — C90/270

KBL-SN-VB-48-33LO-30K-SF-NA-WH

Kurba Large Sauna, Vertical Bend, 4ft, 33LO output, 3000K, Silicone Frosted Lens



Zonal Lumen Summary 3000K

Zone	Lumen	% Fixture
0-30	103	26.3%
0-40	142	36.2%
0-60	300	76.4%
0-90	391	99.5%
Total	392	100.0%

Beam Angle



UNIT: CD
 — C0/180
 — C90/270

Power Supplies

See Power Supply instructions and spec sheet for wiring information. For a complete list of compatible dimmers, see Compatible Dimming Chart on the Resources page.

For use with Static White

Ordering Code Universal Dimming Power Supplies 1% 120VAC - 277VAC

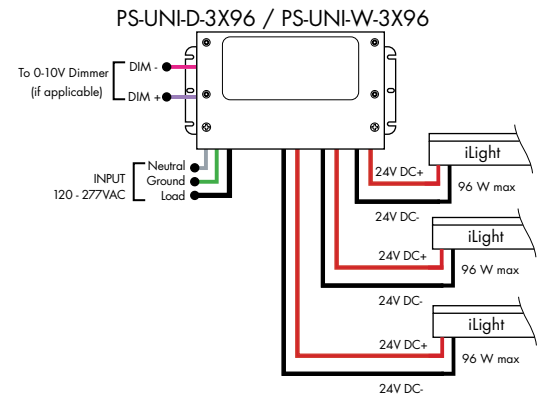
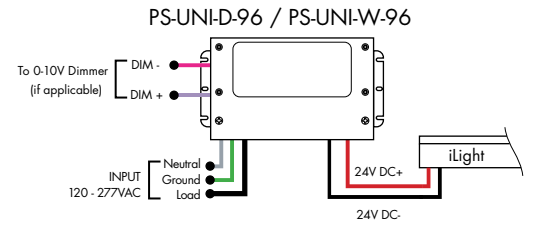
MODEL	INPUT CONTROL	ENVIRONMENT	WATTAGE	OUTPUT
PS-Power Supply, 120-277VAC	UNI-0-10V Dimming, Phase Dimming	D-Dry W-Wet	30-30 Watts 60-60 Watts 96-96 Watts 3x96-3x96 Watts	24-24 VDC

Compatibility: View a complete list of compatible dimmers on product page [\(Link\)](#)

0-10V - 1% dimming
MLV/ELV/TRIAC - 1% dimming, consult dimming compatibility chart

MODELS	PS-UNI-W-30W	PS-UNI-W-60W	PS-UNI-W-96W	PS-UNI-W-3X96W
Length	6.50"	7.40"	8.66"	11.85"
Width	3.73"	3.73"	3.73"	4.32"
Depth	1.61"	1.61"	1.61"	1.81"

MODELS	PS-UNI-D-30W	PS-UNI-D-60W	PS-UNI-D-96W	PS-UNI-D-3X96W
Length	8.77"	8.77"	8.11"	9.94"
Width	4.27"	4.27"	5.60"	7.61"
Depth	1.83"	1.83"	1.83"	2.02"

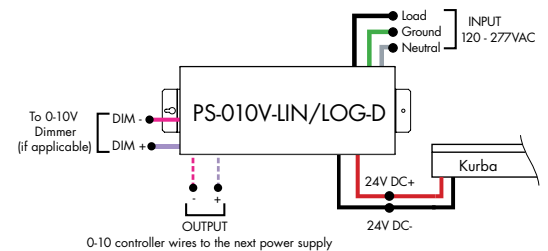
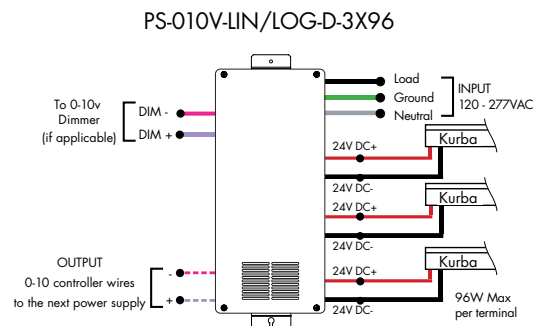


For use with Static White

0-10V Dimming Power Supplies 0.1% 120VAC - 277VAC

MODEL	POWER	OUTPUT	INPUT CONTROL	ENVIRONMENT
PS-Power Supply, 120-277VAC	96-96 Watts 3x96-3x96 Watts	24-24 VDC	010V-LIN-0-10V Dimming (0.1%), Linear 010V-LOG-0-10V Dimming (0.1%), Logarithmic	D-Dry

MODELS	96W	3X96
Length	14.40"	15.00"
Width	5.20"	6.62"
Depth	2.60"	4.45"



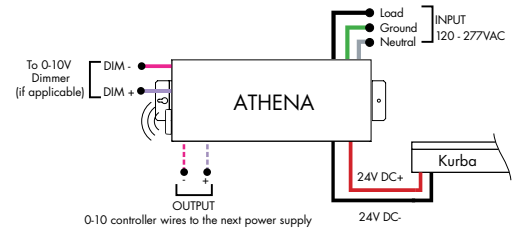
Power Supplies

See Power Supply instructions and spec sheet for wiring information. For a complete list of compatible dimmers, see Compatible Dimming Chart on the Resources page.

For use with Static White

Athena 0-10V LED Driver

MODEL	INPUT CONTROL	ENVIRONMENT	WATTAGE	OUTPUT	FEATURE
PS-Power Supply, 120-277VAC	010V-LIN-0-10V Dimming (0.1%), Linear 010V-LOG-0-10V Dimming (0.1%), Logarithmic	D-Dry	96-96 Watts	24-24 VDC	AWN- Athena

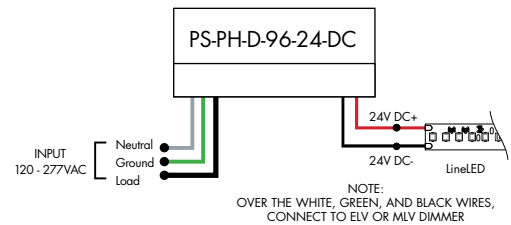


MODELS	96W
Length	14.40"
Width	5.20"
Depth	2.60"

For use with Static White

Ordering Code Phase Dimming Power Supply 1% 120VAC - 277VAC

MODEL	INPUT CONTROL	ENVIRONMENT	WATTAGE	OUTPUT	OUTPUT CONTROL
PS-Power Supply, 120-277VAC	PH-Phase Dimming (Triac, ELV, MLV)	D-Dry	96-96 Watts	24-24 VDC	DC-Direct Current



MLV/ELV/TRIAC - 1% dimming, consult dimming compatibility chart ([link](#))

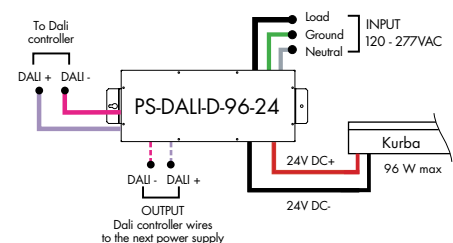
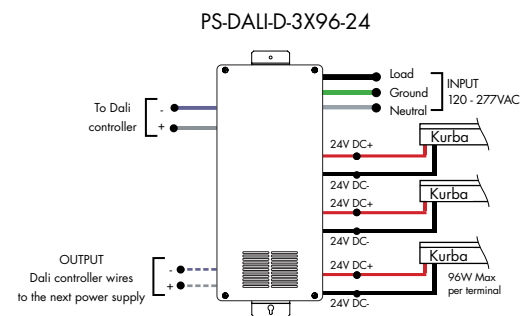
MODELS	96W
Length	8.25"
Width	4.10"
Depth	1.56"

For use with Static White

DALI Dimming Power Supplies 0.1% 120VAC - 277VAC

MODEL	INPUT CONTROL	ENVIRONMENT	WATTAGE	OUTPUT
PS-Power Supply, 120-277VAC	DALI-DALI (0.1%)	D-Dry	96-96 Watts 3x96-3x96 Watts	24-24 VDC

Model	96W	3X96
Length	14.40"	15.00"
Width	5.20"	6.62"
Depth	2.60"	4.56"



Power Supplies

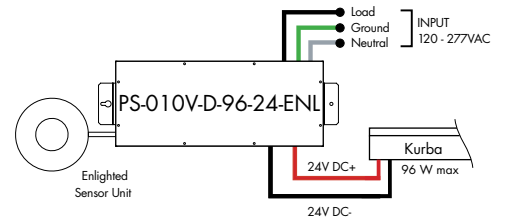
See Power Supply instructions and spec sheet for wiring information. For a complete list of compatible dimmers, see Compatible Dimming Chart on the Resources page.

For use with Static White

Athena 0-10V LED Driver

MODEL	INPUT CONTROL	ENVIRONMENT	WATTAGE	OUTPUT	FEATURE
PS-Power Supply, 120-277VAC	010V-0-10V Dimming (1%)	D-Dry	96-96 Watts	24-24 VDC	ENL-0-10V Enlightened

Model	96W
Length	14.40"
Width	5.20"
Depth	2.60"



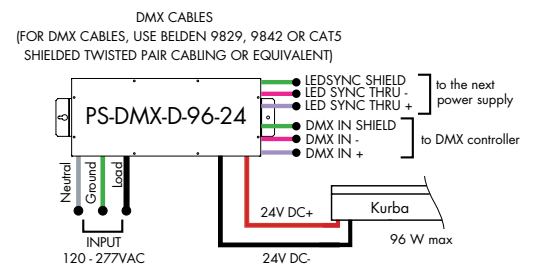
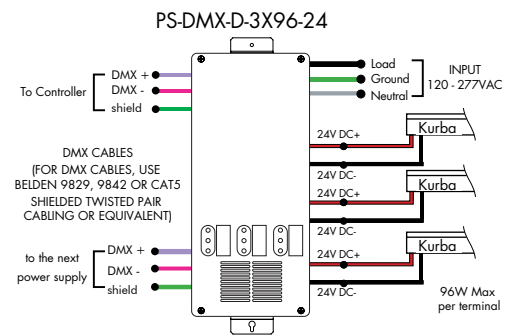
For use with Static White

Requires Zonal Control

DMX Dimming Power Supplies 0.1% 120VAC - 277VAC

MODEL	INPUT CONTROL	ENVIRONMENT	WATTAGE	OUTPUT
PS-Power Supply, 120-277VAC	DMX-DMX (0.1%)	D-Dry	96-96 Watts 3x96-3x96 Watts	24-24 VDC

MODELS	96W	3X96
Length	14.40"	15.00"
Width	5.20"	6.62"
Depth	2.60"	4.56"

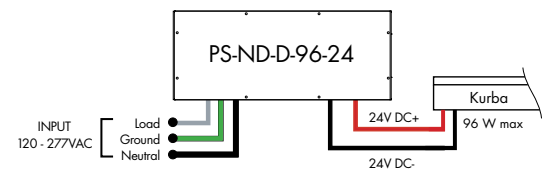


For use with Static White

DMX Dimming Power Supplies 0.1% 120VAC - 277VAC

MODEL	INPUT CONTROL	ENVIRONMENT	WATTAGE	OUTPUT
PS-Power Supply, 120-277VAC	ND-Non Dimming	D-Dry	96-96 Watts	24-24 VDC

MODELS	96W
Length	14.40"
Width	5.20"
Depth	2.60"



Power Supplies

See Power Supply instructions and spec sheet for wiring information. For a complete list of compatible dimmers, see Compatible Dimming Chart on the Resources page.

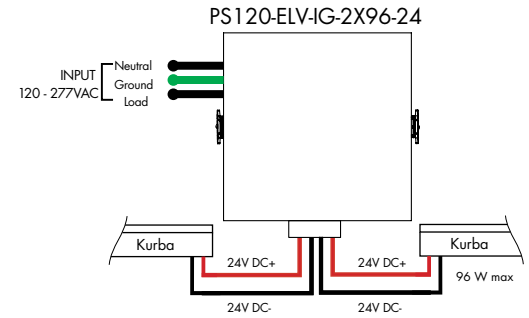
For use with Static White

In-Ground Power Supplies

MODEL	INPUT CONTROL	ENVIRONMENT	WATTAGE	OUTPUT
PS120-Power Supply, 120VAC PS240-Power Supply, 240VAC PS277-Power Supply, 277VAC	ELV-ELV Dimming (1%)	IG-In Ground	2X96-2X96 Watts	24-24 VDC

MODELS 2X96W

Length	8.40"
Width	8.30"
Depth	8.10"



Luminii is a Lutron OEM Advantage Partner

Lutron Power Supplies 1%

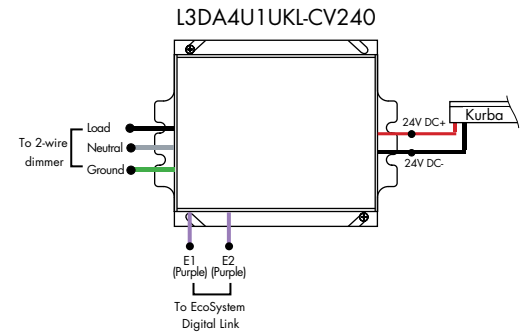
MODEL

L3DA4U1UKL-CV240

HiLume™ 1% EcoSystem Voltage LED driver
40W max

MODELS L3DA4U1UKL-CV240

Length	4.98"
Width	4.00"
Depth	2.62"



Luminii is a Lutron OEM Advantage Partner

Lutron Power Supplies 0.1%

MODEL

L3D0-96W24V-U

HiLume™ 0.1% EcoSystem Voltage LED Driver with Soft-On, Fade-to-Black™
96W max

MODELS L3D0

Length	10.50"
Width	5.50"
Depth	2.00"

