

Features

Kurba Grazer 3D™ is a wall grazing, energy efficient and flexible LED strip suitable for wet locations capable of vertical/top bends down to 8" radius and Horizontal/side bends up down 16" radius. The silicone material offers excellent heat, weather, UV, and solvent resistance and has a special coating to repel dust and dirt accumulation.

Applications

Outdoor wet location

Operating Voltage

24VDC

Operating Temperature

-40°F to 131°F (-40°C to 55°C)

Average Life (L70)

50,000 hours

Dimming

100% - 1% Dimming with compatible power supply

Approvals

Class 2 wet listed, IP67

Warranty

3 years

Finish Options

White Black



Technical Information

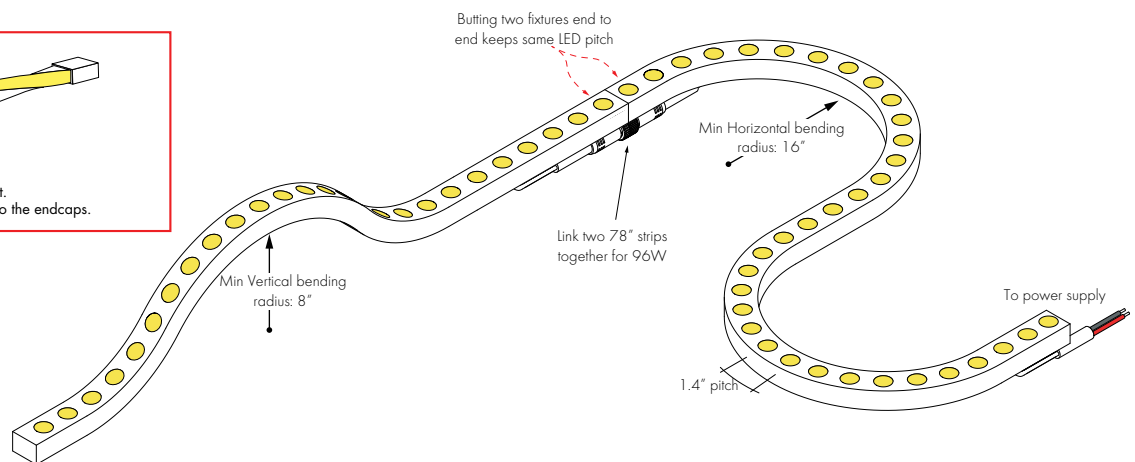
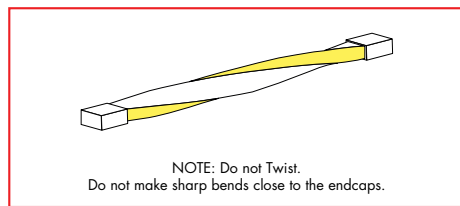
Finish Option	White	Black
Output	950	950
Light Output at 3000K	548 lm/ft	457 lm/ft
Average Power Consumption at 4'	7.32 W/ft	7.32 W/ft
Efficacy	75 lm/W	62 lm/W
Ordering Increment	9.84"	9.84"
Maximum Run Length (per strip)	78"	78"
Maximum Run Length (In Series)	156"	156"

CCT INFO / LUMEN MULTIPLIER

Color Temperature	Multiplier (ref. -3000K)
2700K	0.94
3000K	1.00
4000K	1.05

CRI: 80

Constraints



Ordering Code

MODEL	RATING	BEND DIRECTION	LENGTH	OUTPUT ¹	CCT	LENS	MOUNTING	FINISH	FEED POSITION LEFT	FEED POSITION RIGHT
KBG - Kurba Grazer 3D™	W - Wet	3D - 3D Bending	SEE PCC CHART ON PAGE 4	950 - Standard	27K - 2700K 30K - 3000K 40K - 4000K	20X20 - Grazer (20°) 20X30 - Elliptical Beam (20°x30°) 20X50 - Elliptical Beam (20°x50°)	NA - See Page 3 for orderable mounting accessories	WH - White BK - Black	INJECTION MOLD ² IMB - Back Wire Feed ³ NPF - No Power Feed ⁴	INJECTION MOLD ² IMB - Back Wire Feed ³ NPF - No Power Feed ⁴
									QUICK CONNECT IMFB - Back Female QC ⁵ IMMB - Back Male QC ⁵ NPF - No Power Feed ⁴	QUICK CONNECT IMFB - Back Female QC ⁵ IMMB - Back Male QC ⁵ NPF - No Power Feed ⁴

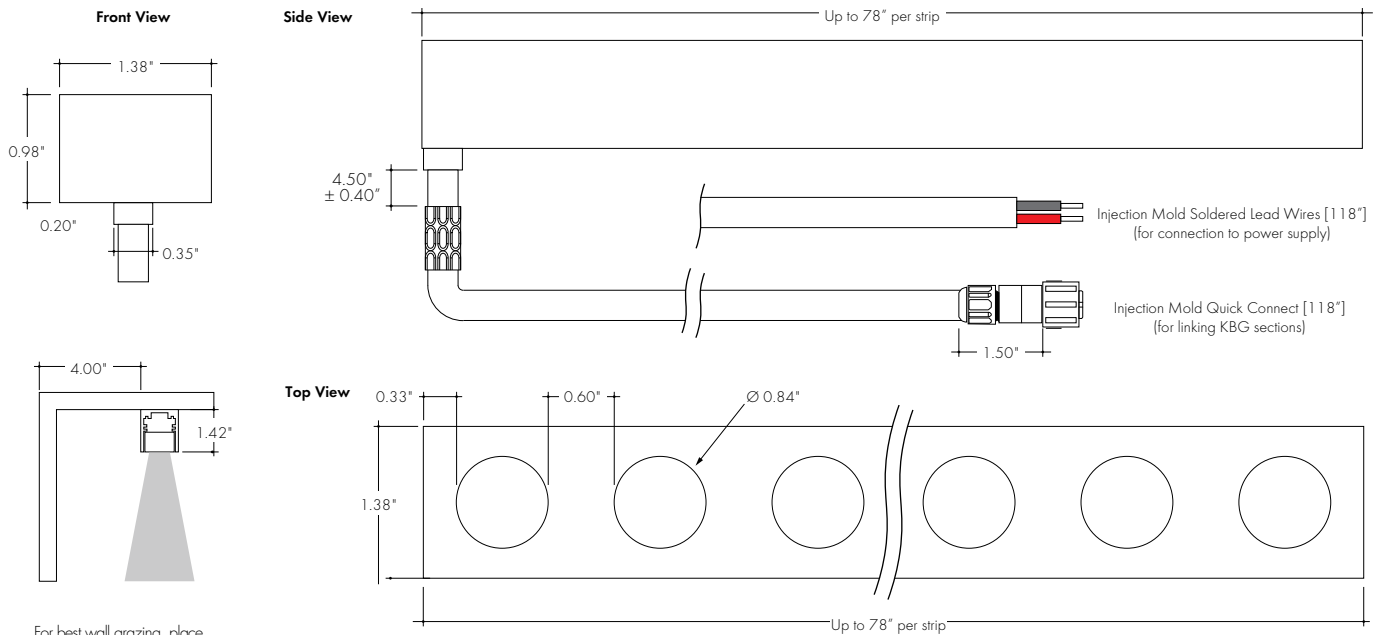
Feeds come with 118" wire leads

1 - Title 24 JA8 compliance achievable, contact factory for specific requests
2 - Injection Mold Soldered Wire Feeds (IMB) come with 90° wire leads

3 - Order IMB (Injection Mold Soldered lead Wires) when connecting KBG to power supply.
4 - NPF-NPF for Feed Position 1&2 is not a valid configuration option

5 - Order IMFB (Female Q/C) and IMMB (Male Q/C) when joining multiple KBG fixtures together.

Product Dimensions



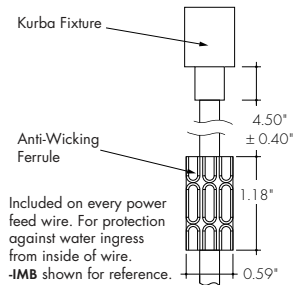
For best wall grazing, place fixture about 4" from wall.

Note: Each 78" Kurba Grazer 3D™ section is 48W. Two 78" Kurba Grazer 3D™ strips may be joined together in series up to 156" for a continuous run.

Linking and Extension Cable Options

ANTI-WICKING FERRULE

Included on every power feed wire

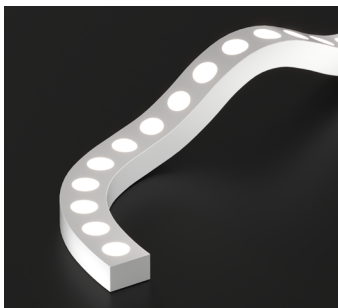


Finish Options

- A wide variety of finish options allowing complete customization of style and aesthetic.

Basic Option

White



Kurba's base finish is a crisp white which brings a timeless, clean aesthetic that brightens and enhances any space

Premium Option

Black

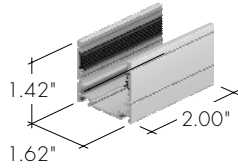


Black is a dark, pitch-black with a soft flat finish. This finish brings a bold, modern look, adding a touch of cosmic elegance to any space.

Mounting Accessories and Optional Connectors

MC-KBG-SAP-SM-2-SA

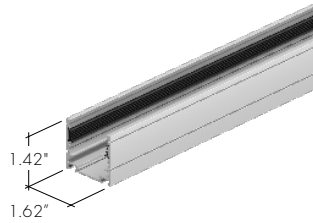
KBG Mounting Channel, Serrated Aluminum Profile, Surface Mount, 2in x 1.4in tall. Silver Anodized



Aluminum mounting channel providing grip. For use with light strip mounted to the ceiling.

MC-KBG-SAP-SM-78-SA

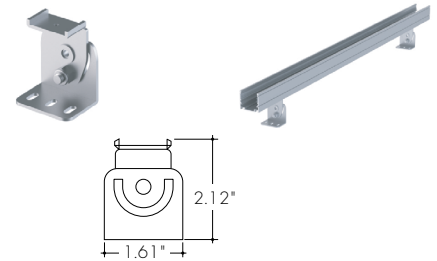
KBG Mounting Channel, Serrated Aluminum Profile, Surface Mount, 78in x 1.4in tall, Silver Anodized



Aluminum mounting channel providing grip. For use with light strip mounted to the ceiling.

MB-KBG-ADJ-SS

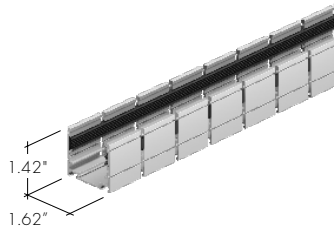
KBG Adjustable Mounting Bracket, Stainless Steel, 180 degrees of rotation, 1.61in x 2.12in tall



Note: Rotation angle restricted if the bracket is applied to a bending extrusion profile.

MC-KBG-BSAP-HB-SM-38-SA

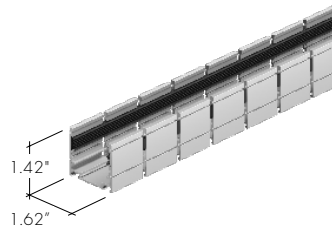
KBG Mounting Channel, Bendable Serrated Aluminum Profile, Horizontal Bending, Surface Mount, 38in, Silver Anodized



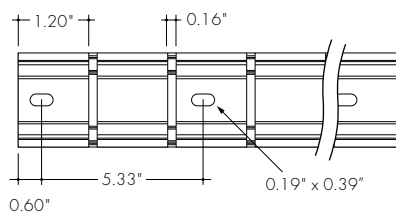
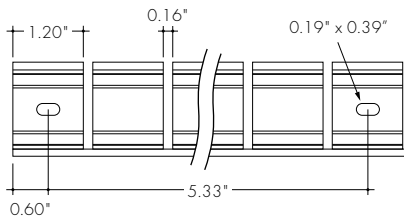
Aluminum mounting channel providing grip. For use with light strip mounted to the ceiling.
NOTE: HB - Horizontal Bending Only

MC-KBG-BSAP-VB-SM-38-SA

KBG Mounting Channel, Bendable Serrated Aluminum Profile, Vertical Bending, Surface Mount, 38in, Silver Anodized

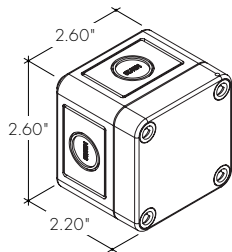


Aluminum mounting bracket providing grip. For use with light strip mounted to the ceiling.
NOTE: VB - Vertical Bending Only



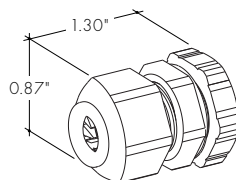
LVSP-WET

Splice box: wet rated, low voltage, gray



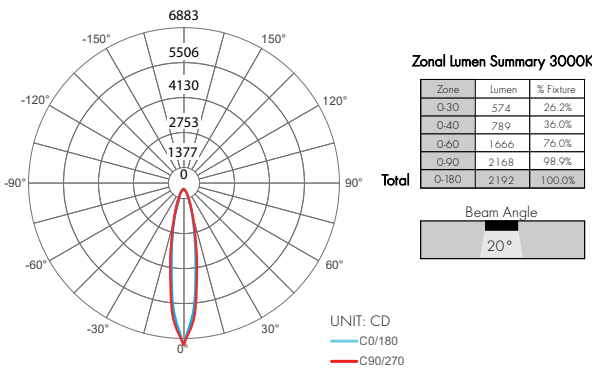
LVSP-WET-CM

Connector for splice box, low voltage for cable management, gray

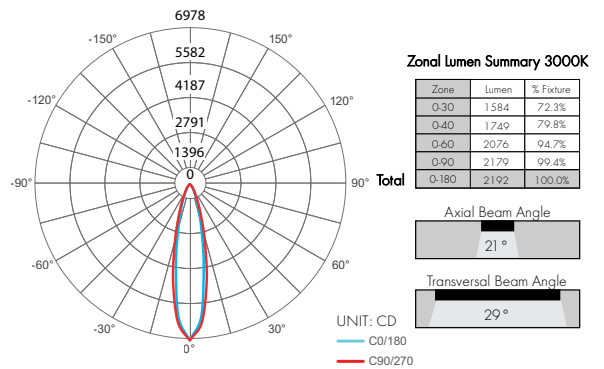


Photometry

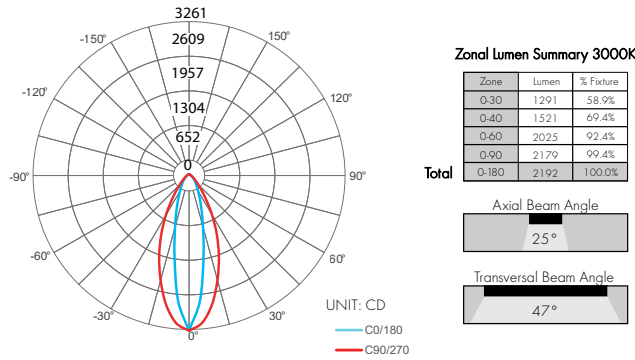
KBG-W-3D-48-9SO-30K-20X20-NA-WH
Kurba Grazer 3D, 4ft, 3000K, 20° Grazer Lens



KBG-W-3D-48-9SO-30K-20X30-NA-WH
Kurba Grazer 3D, 4ft, 3000K, 20°X30° Elliptical Lens



KBG-W-3D-48-9SO-30K-20X50-NA-WH
Kurba Grazer 3D, 4ft, 3000K, 20°X50° Elliptical Lens



9SO | Power Consumption Per Fixture Length

Based on operation with PDCU series of power supplies. Use Actual Length for Order Code Entry.
 Tolerance for Actual Lengths less than 6 ft is +/- 0.2", Actual Lengths between 6 ft and 16 ft is +/- 0.3", and Actual Lengths greater than 16 ft is +/- 0.6"
 A - Back Connector at one end of Kurba and No Connector at other end of Kurba (0.16" + 0.08" added to overall length)
 B - Back Connector at both ends of Kurba (0.20" + 0.20" added to overall length)

Nominal Length (in)	W	Actual Length (in)	
		A	B
10	6.1	10.1	10.2
20	12.1	19.9	20.0
30	24.4	29.8	29.8
40	24.2	39.6	39.7
50	30.2	49.5	49.5
60	36.2	59.3	59.4
69	42.2	69.1	69.2
78	48.2	79.0	79.1

Power Supplies

See Power Supply instructions and spec sheet for wiring information. For a complete list of compatible dimmers, see Compatible Dimming Chart on the Resources page.

For use with Static White

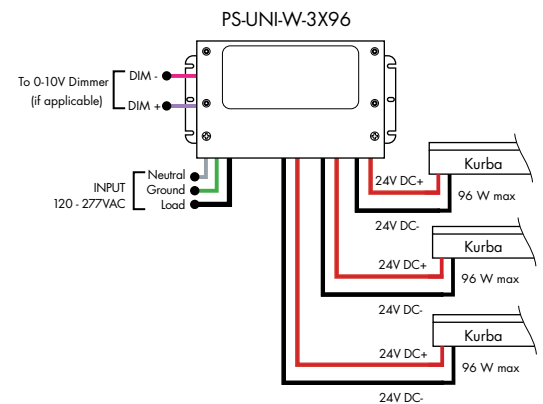
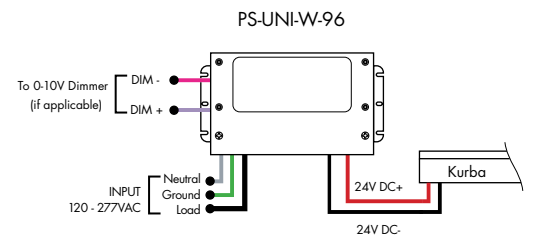
Ordering Code Universal Dimming Power Supplies 1% 120VAC - 277VAC

MODEL	INPUT CONTROL	ENVIRONMENT	WATTAGE	OUTPUT
PS-Power Supply, 120-277VAC	UNI-0-10V Dimming, Phase Dimming	W-Wet	30-30 Watts 60-60 Watts 96-96 Watts 3x96-3x96 Watts	24-24 VDC

Compatibility: View a complete list of compatible dimmers on product page [Link](#)

0-10V - 1% dimming
MLV/ELV/TRIAC - 1% dimming, consult dimming compatibility chart

MODELS	PS-UNI-W-30W	PS-UNI-W-60W	PS-UNI-W-96W	PS-UNI-W-3X96W
Length	6.50"	7.40"	8.66"	11.85"
Width	3.73"	3.73"	3.73"	4.32"
Depth	1.61"	1.61"	1.61"	1.81"

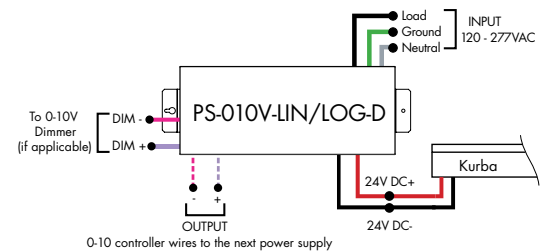
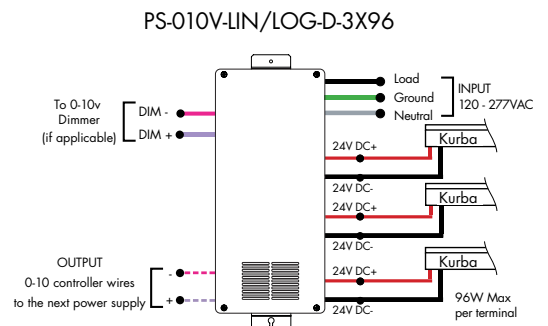


For use with Static White

0-10V Dimming Power Supplies 0.1% 120VAC - 277VAC

MODEL	POWER	OUTPUT	INPUT CONTROL	ENVIRONMENT
PS-Power Supply, 120-277VAC	96-96 Watts 3x96-3x96 Watts	24-24 VDC	010V-LIN-0-10V Dimming (0.1%), Linear 010V-LOG-0-10V Dimming (0.1%), Logarithmic	D-Dry

MODELS	96W	3X96
Length	14.40"	15.00"
Width	5.20"	6.62"
Depth	2.60"	4.45"



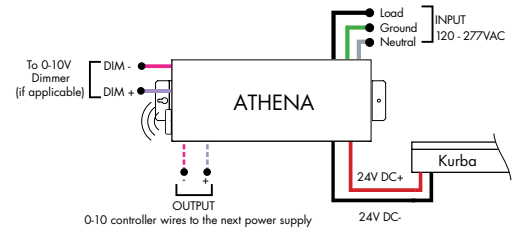
Power Supplies

See Power Supply instructions and spec sheet for wiring information. For a complete list of compatible dimmers, see Compatible Dimming Chart on the Resources page.

For use with Static White

Athena 0-10V LED Driver

MODEL	INPUT CONTROL	ENVIRONMENT	WATTAGE	OUTPUT	FEATURE
PS-Power Supply, 120-277VAC	010V-LIN-0-10V Dimming (0.1%), Linear 010V-LOG-0-10V Dimming (0.1%), Logarithmic	D-Dry	96-96 Watts	24-24 VDC	AWNDR-Athena



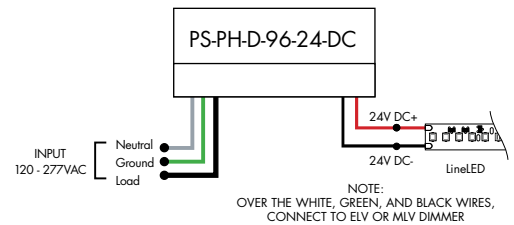
MODELS	96W
Length	14.40"
Width	5.20"
Depth	2.60"

For use with Static White

Ordering Code Phase Dimming Power Supply 1% 120VAC - 277VAC

MODEL	INPUT CONTROL	ENVIRONMENT	WATTAGE	OUTPUT	OUTPUT CONTROL
PS-Power Supply, 120-277VAC	PH-Phase Dimming (Triac, ELV, MLV)	D-Dry	96-96 Watts	24-24 VDC	DC-Direct Current

MLV/ELV/TRIAC - 1% dimming, consult dimming compatibility chart ([link](#))



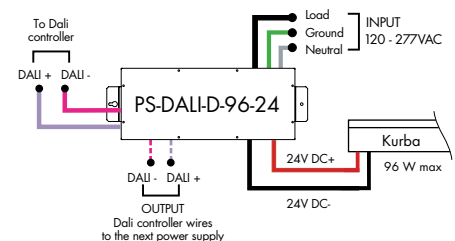
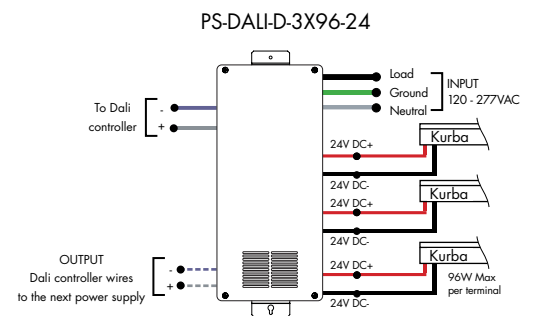
MODELS	96W
Length	8.25"
Width	4.10"
Depth	1.56"

For use with Static White

DALI Dimming Power Supplies 0.1% 120VAC - 277VAC

MODEL	INPUT CONTROL	ENVIRONMENT	WATTAGE	OUTPUT
PS-Power Supply, 120-277VAC	DALI-DALI (0.1%)	D-Dry	96-96 Watts 3x96-3x96 Watts	24-24 VDC

Model	96W	3X96
Length	14.40"	15.00"
Width	5.20"	6.62"
Depth	2.60"	4.56"



Power Supplies

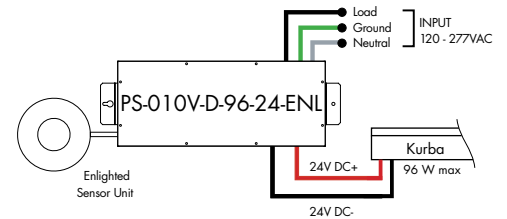
See Power Supply instructions and spec sheet for wiring information. For a complete list of compatible dimmers, see Compatible Dimming Chart on the Resources page.

For use with Static White

Athena 0-10V LED Driver

MODEL	INPUT CONTROL	ENVIRONMENT	WATTAGE	OUTPUT	FEATURE
PS-Power Supply, 120-277VAC	010V-0-10V Dimming (1%)	D-Dry	96-96 Watts	24-24 VDC	ENL-0-10V Enlightened

Model	96W
Length	14.40"
Width	5.20"
Depth	2.60"



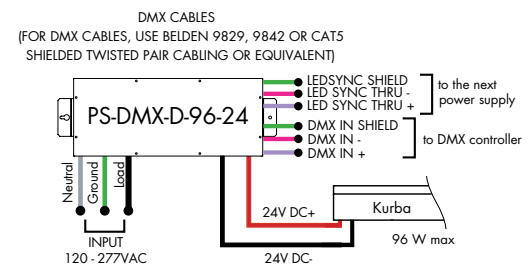
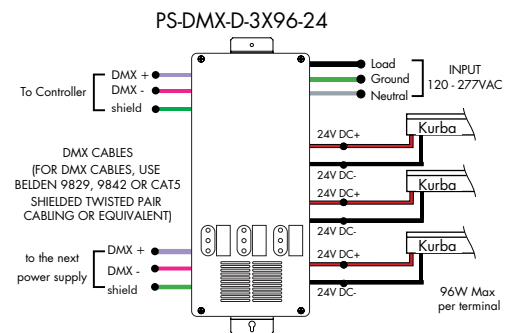
For use with Static White

Requires Zonal Control

DMX Dimming Power Supplies 0.1% 120VAC - 277VAC

MODEL	INPUT CONTROL	ENVIRONMENT	WATTAGE	OUTPUT
PS-Power Supply, 120-277VAC	DMX-DMX (0.1%)	D-Dry	96-96 Watts 3x96-3x96 Watts	24-24 VDC

MODELS	96W	3X96
Length	14.40"	15.00"
Width	5.20"	6.62"
Depth	2.60"	4.56"

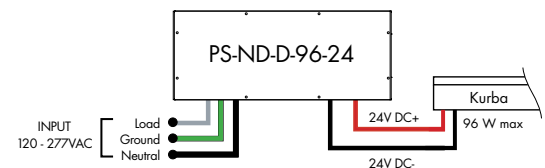


For use with Static White

DMX Dimming Power Supplies 0.1% 120VAC - 277VAC

MODEL	INPUT CONTROL	ENVIRONMENT	WATTAGE	OUTPUT
PS-Power Supply, 120-277VAC	ND-Non Dimming	D-Dry	96-96 Watts	24-24 VDC

MODELS	96W
Length	14.40"
Width	5.20"
Depth	2.60"



Power Supplies

See Power Supply instructions and spec sheet for wiring information. For a complete list of compatible dimmers, see Compatible Dimming Chart on the Resources page.

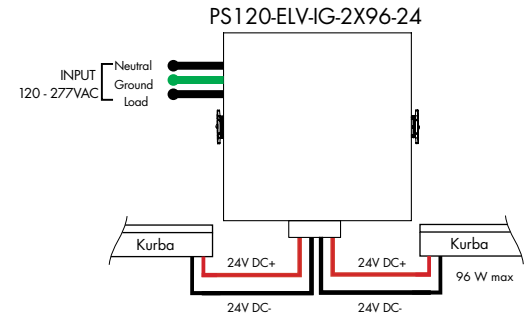
For use with Static White

In-Ground Power Supplies

MODEL	INPUT CONTROL	ENVIRONMENT	WATTAGE	OUTPUT
PS120-Power Supply, 120VAC PS240-Power Supply, 240VAC PS277-Power Supply, 277VAC	ELV-ELV Dimming (1%)	IG-In Ground	2X96-2X96 Watts	24-24 VDC

MODELS 2X96W

Length	8.40"
Width	8.30"
Depth	8.10"



Luminii is a Lutron OEM Advantage Partner

Lutron Power Supplies 1%

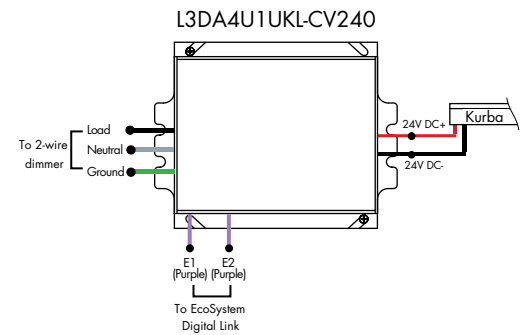
MODEL

L3DA4U1UKL-CV240

HiLume™ 1% EcoSystem Voltage LED driver
40W max

MODELS L3DA4U1UKL-CV240

Length	4.98"
Width	4.00"
Depth	2.62"



Luminii is a Lutron OEM Advantage Partner

Lutron Power Supplies 0.1%

MODEL

L3D0-96W24V-U

HiLume™ 0.1% EcoSystem Voltage LED Driver with Soft-On, Fade-to-Black™
96W max

MODELS L3D0

Length	10.50"
Width	5.50"
Depth	2.00"

