

Features

Kurba Large 3D Bending is a dot free direct view, highly versatile, energy efficient and flexible LED strip suitable for outdoor wet locations capable of horizontal/side bends and vertical/top bends with a 6" bending radius. The silicone material offers excellent heat, weather, UV, and solvent resistance and has a special coating to repel dust and dirt accumulation.

Applications

Indoor/Outdoor dry & wet location

Materials

Silicone for red list approved, as well as heat, weather, UV, and solvent resistance

Dimming

Dimable down to 1%. Dot Free even illumination.

Average Life (L70)

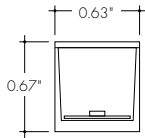
50,000 hours

Approvals

24VDC Class 2 wet listed, IP68

Warranty

3 years



Finish Options (see page 2 for additional information)

Base White



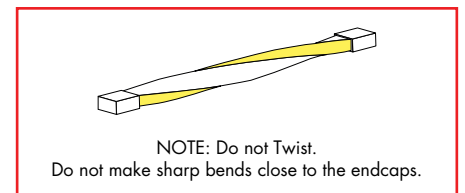
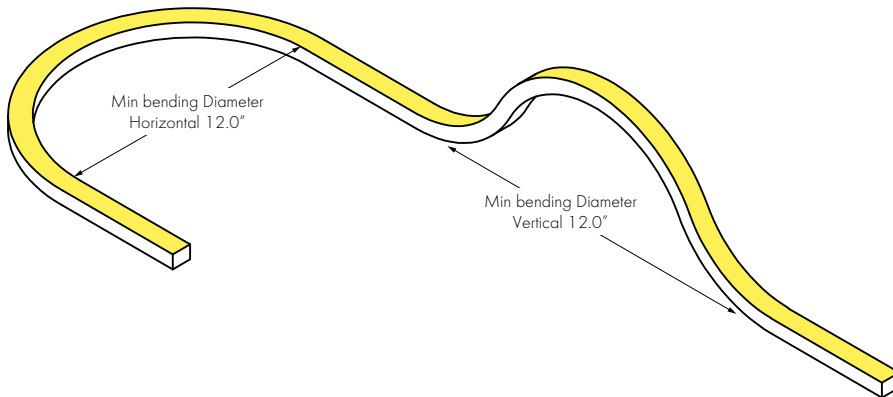
Technical Information

Bending Direction	3D
Output	4750
Light Output at 3000K	256 lm/ft
Average Power Consumption at 4'	3.66 W/ft
Efficacy	70 lm/W
Ordering Increment	1.79"
Maximum Run Length (In Series)	19.7'
Operating Temperature Range	-40°F to 131°F

CCT INFO / LUMEN MULTIPLIER	
Color Temperature	Multiplier (ref. 3000K)
2200K	0.99
2400K	0.99
2700K	1.00
3000K	1.00
3500K	1.00
4000K	1.00
5000K	1.00

Note: 90 CRI

Constraints



Ordering Code

MODEL	BEND DIRECTION	LENGTH	OUTPUT ¹	CCT	CRI	LENS	MOUNTING	FINISH	FEED POSITION LEFT	FEED POSITION RIGHT
KBL-W - Kurba Large, Wet	3D - 3D Bending	SEE PCC CHART ON PAGES 5	4750 - Standard	22K - 2200K 24K - 2400K 27K - 2700K 30K - 3000K 35K - 3500K 40K - 4000K 50K - 5000K	R90 - 90 CRI	SF - Silicone Frosted	NA - No Mounting Option	WH - White	INJECTION MOLD IME - End Feed 1 IMB - Back Feed 1 IMSA - Side 1 Feed IMSB - Side 2 Feed NPF - No Power Feed ²	INJECTION MOLD IME - End Feed 1 IMB - Back Feed 1 IMSA - Side 1 Feed IMSB - Side 2 Feed NPF - No Power Feed ²

Feeds come with 118" wire leads

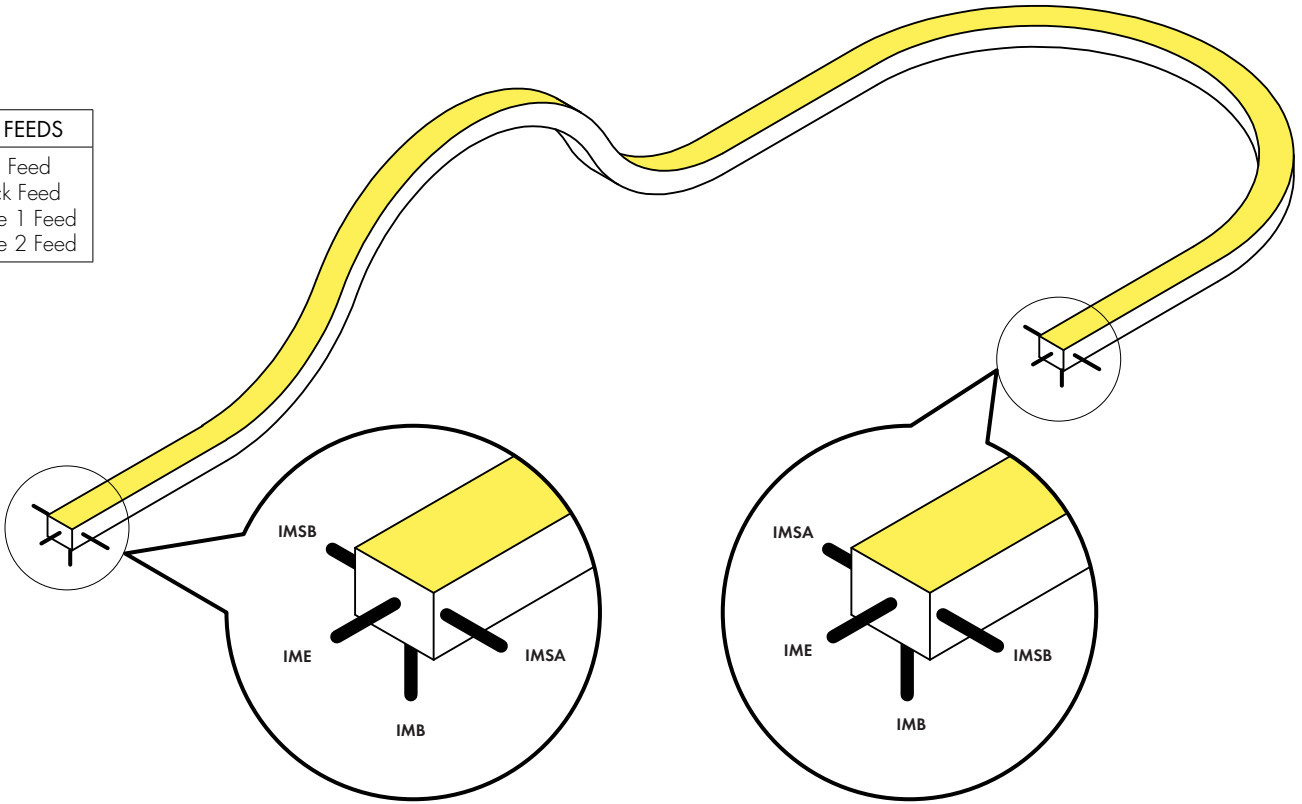
1 - Title 24 JA8 compliance achievable, contact factory for specific requests

2 - NPF-NPF for Feed Position 1&2 is not a valid configuration option

Powerfeeds and Connectors

Power Feed Position Options and Orientation

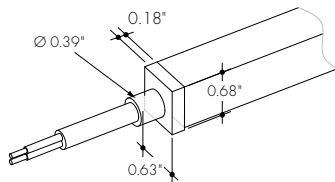
POWER FEEDS
IME - End Feed
IMB - Back Feed
IMSA - Side 1 Feed
IMSB - Side 2 Feed



Linking and Extension Cable Options

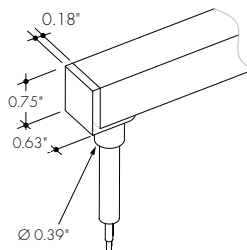
END CONNECTOR

Injection-molded End Connector
-IME



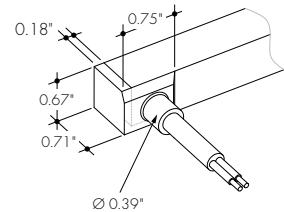
BACK CONNECTOR

Injection-molded Back Connector
-IMB



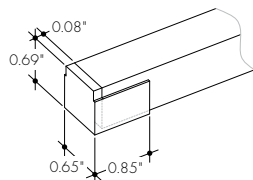
SIDE CONNECTOR

Injection-molded Side Connector
-IMSA and -IMSB



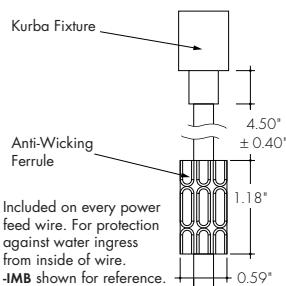
ENDCAP (NO CONNECTOR)

Injection-molded Cap (No Connector)
-NPF

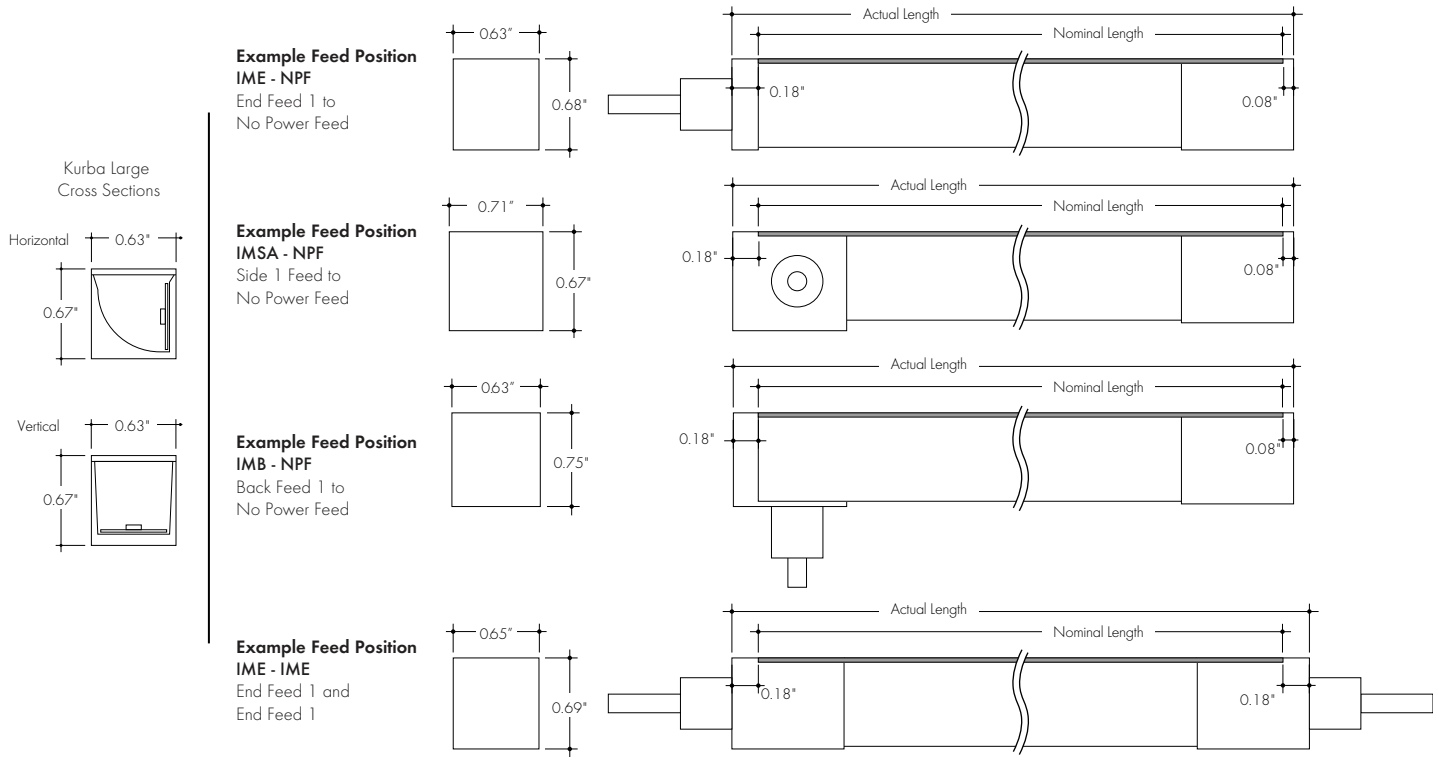


ANTI-WICKING FERRULE

Included on every power feed wire

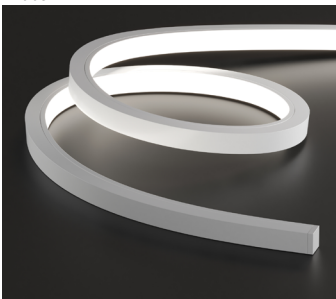


Product Dimensions



Finish Options

White Base



Kurba's base finish is a crisp white which brings a timeless, clean aesthetic that brightens and enhances any space

Light Transmission and Dotting

	Lens/Accessory
Output Options	Silicone Frosted/ White Finish
47SO	ND
Transmission Percentage	100%

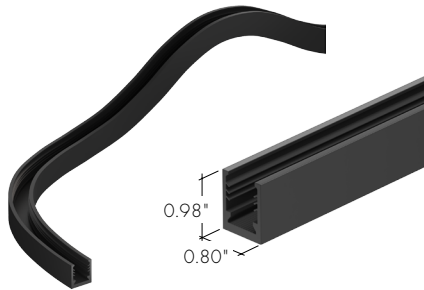


CD SD ND
 CD - Clear Dotting
 SD - Slight Dotting
 ND - No Dotting

Mounting Accessories

MC-KBL-BANP-3D-SM-39-XX

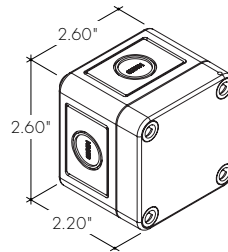
KBL Mounting Channel, Bendable Silicone Profile, 3D Bending, Surface Mount, 39", 6" bending radius



XX	Color
WH	White
BK	Black

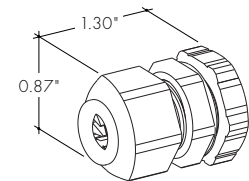
LVSP-WET

Splice box: wet rated, low voltage, gray



LVSP-WET-CM

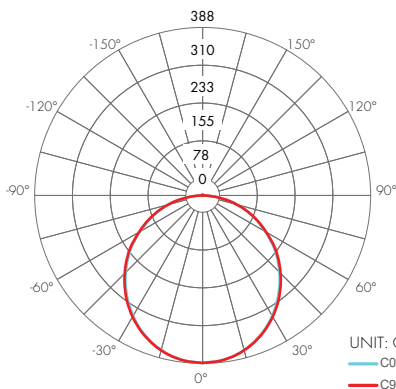
Connector for splice box, low voltage for cable management, gray



Photometry

KBL-W-3D-48-47SO-30K-SF-NA-WH

Kurba Large, 3D Bend, 4ft, 3000K, 47SO output, Silicone Frosted Lens



Zonal Lumen Summary 3000K

Zone	Lumen	% Fixture
0-30	270	26.4%
0-40	372	36.3%
0-60	779	76.1%
0-90	1015	99.1%
Total	1024	100.0%



UNIT: CD
 C0/180
 C90/270

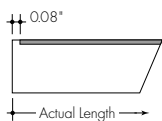
4750 | Power Consumption Per Fixture Length

Based on operation with PDCU series of power supplies. Use Actual Length for Order Code Entry.
 Tolerance for Actual Lengths less than 6 ft is +/- 0.2", Actual Lengths between 6 ft and 16 ft is +/- 0.3", and Actual Lengths greater than 16 ft is +/- 0.6"
 A - Power Feeds at both ends of Kurba (0.18" + 0.18" added to overall length)
 B - Powerfeed at one end of Kurba and No Power Feed (NPF) at other end of Kurba (0.18" + 0.08" added to overall length)

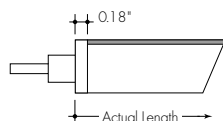
Nominal Length (in)	Actual Length (in)			Nominal Length (in)	Actual Length (in)			Nominal Length (in)	Actual Length (in)			Nominal Length (in)	Actual Length (in)		
	W	A	B		W	A	B		W	A	B		W	A	B
6	1.7	5.7	5.6	70	21.4	70.1	70.0	135	41.0	134.6	134.5	199	60.7	199.0	198.9
8	2.3	7.5	7.4	(6FT) 72	21.9	71.9	71.8	136	41.6	136.4	136.3	201	61.2	200.8	200.7
10	2.8	9.3	9.2	74	22.5	73.7	73.6	138	42.1	138.1	138.0	202	61.8	202.6	202.5
11	3.4	11.1	11.0	76	23.0	75.5	75.4	140	42.7	139.9	139.8	(17FT) 204	62.3	204.3	204.2
(1FT) 13	3.9	12.9	12.8	77	23.6	77.3	77.2	142	43.2	141.7	141.6	206	62.8	206.1	206.0
15	4.5	14.7	14.6	79	24.1	79.1	79.0	143	43.8	143.5	143.4	208	63.4	207.9	207.8
16	5.0	16.5	16.4	81	24.7	80.9	80.8	(12FT) 145	44.3	145.3	145.2	210	63.9	209.7	209.6
18	5.6	18.3	18.2	83	25.2	82.7	82.6	147	44.8	147.1	147.0	211	64.5	211.5	211.4
20	6.1	20.0	19.9	(7FT) 84	25.8	84.5	84.4	149	45.4	148.9	148.8	213	65.0	213.3	213.2
22	6.7	21.8	21.7	86	26.3	86.2	86.1	151	45.9	150.7	150.6	215	65.6	215.1	215.0
(2FT) 24	7.2	23.6	23.5	88	26.8	88.0	87.9	152	46.5	152.5	152.4	(18FT) 217	66.1	216.9	216.8
25	7.7	25.4	25.3	90	27.4	89.8	89.7	154	47.0	154.2	154.1	219	66.7	218.7	218.6
27	8.3	27.2	27.1	92	27.9	91.6	91.5	(13FT) 156	47.6	156.0	155.9	220	67.2	220.5	220.4
29	8.8	29.0	28.9	93	28.5	93.4	93.3	158	48.1	157.8	157.7	222	67.8	222.2	222.1
31	9.4	30.8	30.7	95	29.0	95.2	95.1	160	48.7	159.6	159.5	224	68.3	224.0	223.9
33	9.9	32.6	32.5	(8FT) 97	29.6	97.0	96.9	161	49.2	161.4	161.3	226	68.8	225.8	225.7
34	10.5	34.4	34.3	99	30.1	98.8	98.7	163	49.8	163.2	163.1	227	69.4	227.6	227.5
(3FT) 36	11.0	36.1	36.0	101	30.7	100.6	100.5	165	50.3	165.0	164.9	(19FT) 229	69.9	229.4	229.3
38	11.6	37.9	37.8	102	31.2	102.4	102.3	167	50.8	166.8	166.7	231	70.5	231.2	231.1
40	12.1	39.7	39.6	104	31.8	104.1	104.0	(14FT) 168	51.4	168.6	168.5	233	71.0	233.0	232.9
42	12.7	41.5	41.4	106	32.3	105.9	105.8	170	51.9	170.4	170.3	235	71.6	234.8	234.7
43	13.2	43.3	43.2	(9FT) 108	32.8	107.7	107.6	172	52.5	172.1	172.0	236	72.1	236.6	236.5
45	13.7	45.1	45.0	109	33.4	109.5	109.4	174	53.0	173.9	173.8				
47	14.3	46.9	46.8	111	33.9	111.3	111.2	176	53.6	175.7	175.6				
(4FT) 49	14.8	48.7	48.6	113	34.5	113.1	113.0	177	54.1	177.5	177.4				
50	15.4	50.5	50.4	115	35.0	114.9	114.8	179	54.7	179.3	179.2				
52	15.9	52.3	52.2	117	35.6	116.7	116.6	(15FT) 181	55.2	181.1	181.0				
54	16.5	54.0	53.9	118	36.1	118.5	118.4	183	55.8	182.9	182.8				
56	17.0	55.8	55.7	(10FT) 120	36.7	120.2	120.1	185	56.3	184.7	184.6				
58	17.6	57.6	57.5	122	37.2	122.0	121.9	186	56.8	186.5	186.4				
59	18.1	59.4	59.3	124	37.8	123.8	123.7	188	57.4	188.2	188.1				
(5FT) 61	18.7	61.2	61.1	126	38.3	125.6	125.5	190	57.9	190.0	189.9				
63	19.2	63.0	62.9	127	38.8	127.4	127.3	(16FT) 192	58.5	191.8	191.7				
65	19.7	64.8	64.7	129	39.4	129.2	129.1	193	59.0	193.6	193.5				
67	20.3	66.6	66.5	131	39.9	131.0	130.9	195	59.6	195.4	195.3				
68	20.8	68.4	68.3	(11FT) 133	40.5	132.8	132.7	197	60.1	197.2	197.1				

Note: all values are rounded to the nearest 0.1 inch

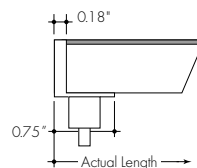
Endcap (No Connector) -NPF



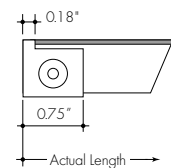
End Connector -IME



Back Connector -IMB



Side Connector -IMSA -IMSB



Power Supplies

See Power Supply instructions and spec sheet for wiring information. For a complete list of compatible dimmers, see Compatible Dimming Chart on the Resources page.

For use with Static White

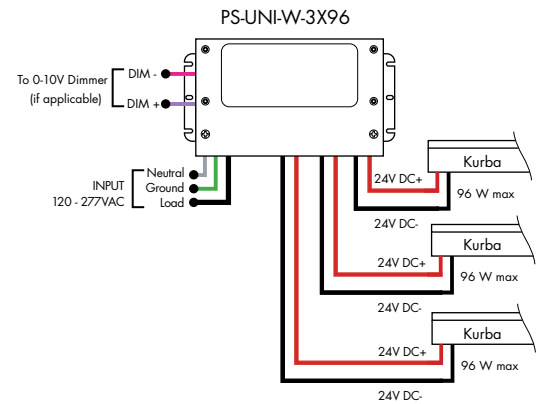
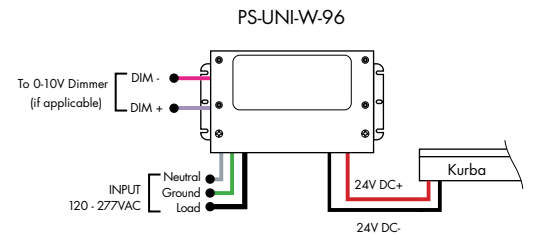
Ordering Code Universal Dimming Power Supplies 1% 120VAC - 277VAC

MODEL	INPUT CONTROL	ENVIRONMENT	WATTAGE	OUTPUT
PS-Power Supply, 120-277VAC	UNI-0-10V Dimming, Phase Dimming	W-Wet	30-30 Watts 60-60 Watts 96-96 Watts 3x96-3x96 Watts	24-24 VDC

Compatibility: View a complete list of compatible dimmers on product page [Link](#)

0-10V - 1% dimming
MLV/ELV/TRIAC - 1% dimming, consult dimming compatibility chart

MODELS	PS-UNI-W-30W	PS-UNI-W-60W	PS-UNI-W-96W	PS-UNI-W-3X96W
Length	6.50"	7.40"	8.66"	11.85"
Width	3.73"	3.73"	3.73"	4.32"
Depth	1.61"	1.61"	1.61"	1.81"

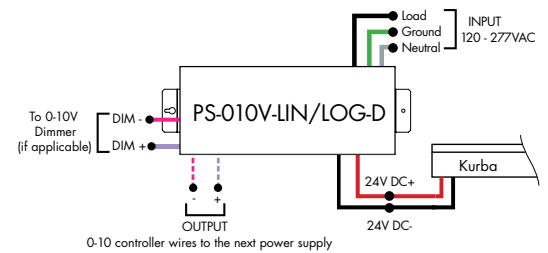
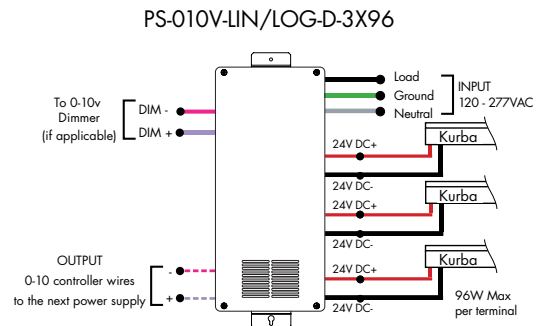


For use with Static White

0-10V Dimming Power Supplies 0.1% 120VAC - 277VAC

MODEL	POWER	OUTPUT	INPUT CONTROL	ENVIRONMENT
PS-Power Supply, 120-277VAC	96-96 Watts 3x96-3x96 Watts	24-24 VDC	010V-LIN-0-10V Dimming (0.1%), Linear 010V-LOG-0-10V Dimming (0.1%), Logarithmic	D-Dry

MODELS	96W	3X96
Length	14.40"	15.00"
Width	5.20"	6.62"
Depth	2.60"	4.45"



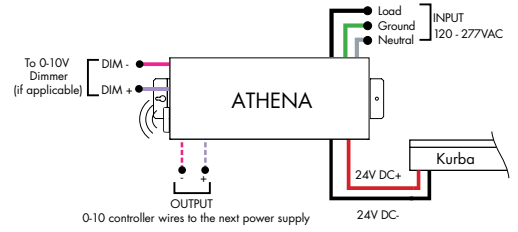
Power Supplies

See Power Supply instructions and spec sheet for wiring information. For a complete list of compatible dimmers, see Compatible Dimming Chart on the Resources page.

For use with Static White

Athena 0-10V LED Driver

MODEL	INPUT CONTROL	ENVIRONMENT	WATTAGE	OUTPUT	FEATURE
PS-Power Supply, 120-277VAC	010V-LIN-0-10V Dimming (0.1%), Linear 010V-LOG-0-10V Dimming (0.1%), Logarithmic	D-Dry	96-96 Watts	24-24 VDC	AWN- Athena

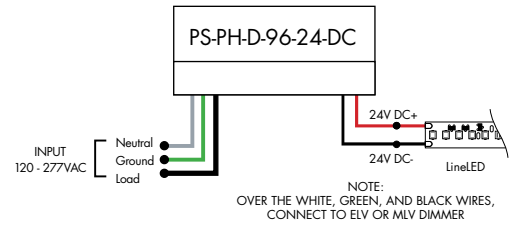


MODELS	96W
Length	14.40"
Width	5.20"
Depth	2.60"

For use with Static White

Ordering Code Phase Dimming Power Supply 1% 120VAC - 277VAC

MODEL	INPUT CONTROL	ENVIRONMENT	WATTAGE	OUTPUT	OUTPUT CONTROL
PS-Power Supply, 120-277VAC	PH-Phase Dimming (Triac, ELV, MLV)	D-Dry	96-96 Watts	24-24 VDC	DC-Direct Current



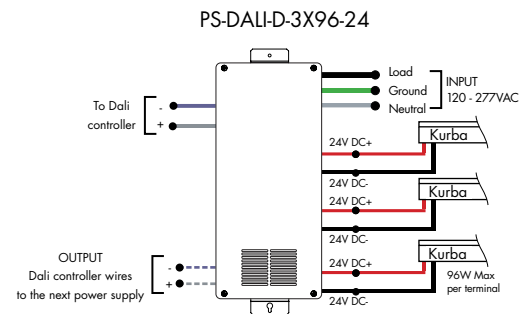
MLV/ELV/TRIAC - 1% dimming, consult dimming compatibility chart ([link](#))

MODELS	96W
Length	8.25"
Width	4.10"
Depth	1.56"

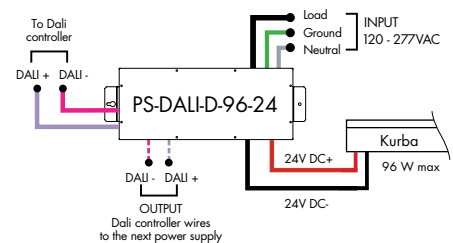
For use with Static White

DALI Dimming Power Supplies 0.1% 120VAC - 277VAC

MODEL	INPUT CONTROL	ENVIRONMENT	WATTAGE	OUTPUT
PS-Power Supply, 120-277VAC	DALI-DALI (0.1%)	D-Dry	96-96 Watts 3x96-3x96 Watts	24-24 VDC



Model	96W	3X96
Length	14.40"	15.00"
Width	5.20"	6.62"
Depth	2.60"	4.56"



Power Supplies

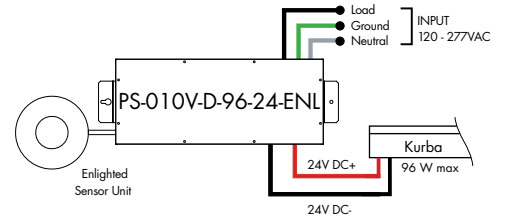
See Power Supply instructions and spec sheet for wiring information. For a complete list of compatible dimmers, see Compatible Dimming Chart on the Resources page.

For use with Static White

Athena 0-10V LED Driver

MODEL	INPUT CONTROL	ENVIRONMENT	WATTAGE	OUTPUT	FEATURE
PS-Power Supply, 120-277VAC	010V-0-10V Dimming (1%)	D-Dry	96-96 Watts	24-24 VDC	ENL-0-10V Enlightened

Model	96W
Length	14.40"
Width	5.20"
Depth	2.60"



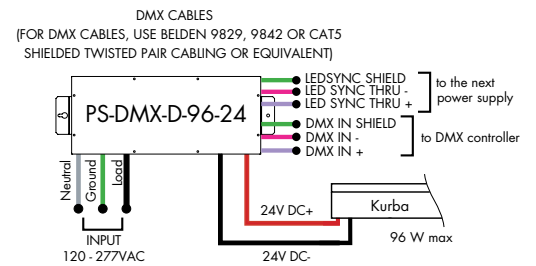
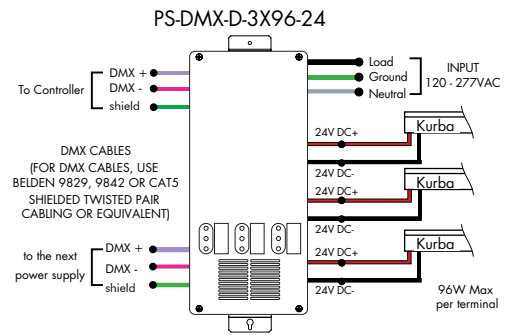
For use with Static White

Requires Zonal Control

DMX Dimming Power Supplies 0.1% 120VAC - 277VAC

MODEL	INPUT CONTROL	ENVIRONMENT	WATTAGE	OUTPUT
PS-Power Supply, 120-277VAC	DMX-DMX (0.1%)	D-Dry	96-96 Watts 3x96-3x96 Watts	24-24 VDC

MODELS	96W	3X96
Length	14.40"	15.00"
Width	5.20"	6.62"
Depth	2.60"	4.56"

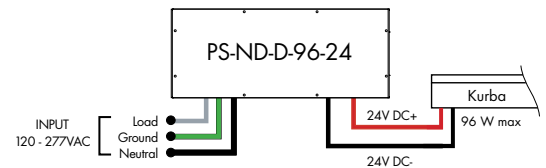


For use with Static White

DMX Dimming Power Supplies 0.1% 120VAC - 277VAC

MODEL	INPUT CONTROL	ENVIRONMENT	WATTAGE	OUTPUT
PS-Power Supply, 120-277VAC	ND-Non Dimming	D-Dry	96-96 Watts	24-24 VDC

MODELS	96W
Length	14.40"
Width	5.20"
Depth	2.60"



Power Supplies

See Power Supply instructions and spec sheet for wiring information. For a complete list of compatible dimmers, see Compatible Dimming Chart on the Resources page.

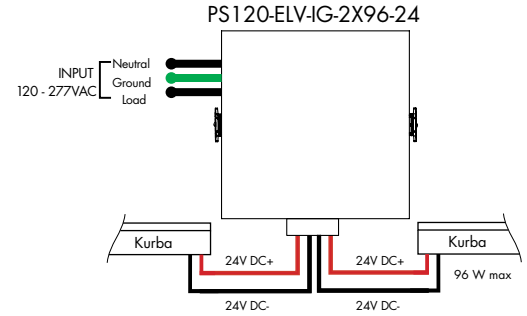
For use with Static White

In-Ground Power Supplies

MODEL	INPUT CONTROL	ENVIRONMENT	WATTAGE	OUTPUT
PS120-Power Supply, 120VAC PS240-Power Supply, 240VAC PS277-Power Supply, 277VAC	ELV-ELV Dimming (1%)	IG-In Ground	2X96-2X96 Watts	24-24 VDC

MODELS 2X96W

Length	8.40"
Width	8.30"
Depth	8.10"



Luminii is a Lutron OEM Advantage Partner

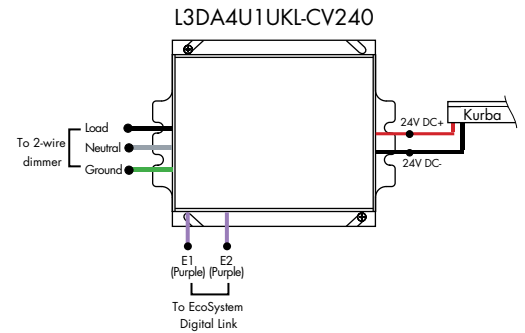
Lutron Power Supplies 1%

MODEL

L3DA4U1UKL-CV240

HiLume™ 1% EcoSystem Voltage LED driver
40W max

MODELS	L3DA4U1UKL-CV240
Length	4.98"
Width	4.00"
Depth	2.62"



Luminii is a Lutron OEM Advantage Partner

Lutron Power Supplies 0.1%

MODEL

L3D0-96W24V-U

HiLume™ 0.1% EcoSystem Voltage LED Driver with Soft-On, Fade-to-Black™
96W max

MODELS	L3D0
Length	10.50"
Width	5.50"
Depth	2.00"

