

Features

The KRESTC-RVL Channel is a linear aluminum extrusion that has been designed for mud-in accent lighting. The KRESTC-RVL Channel features a curved reflector which asymmetrically directs the light in a smooth gradient. With field cuttable extrusion and pre-welded corner configurations, the Krest Reveal can be mounted on the wall towards the floor or towards the ceiling for an uplighting effect on the ceiling. For use with 5/8" or thicker drywall.

Finish
LED Extrusion: Silver Anodized
Reflector: White Powder Coat

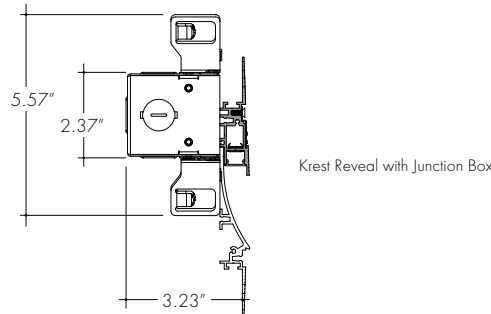
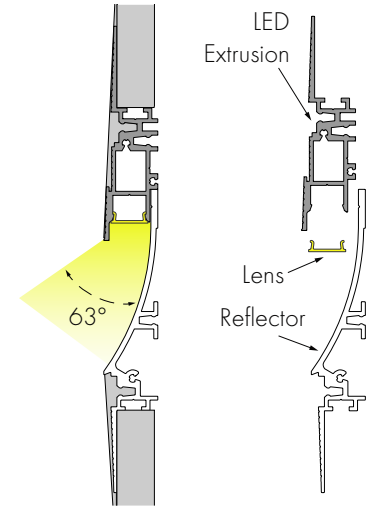
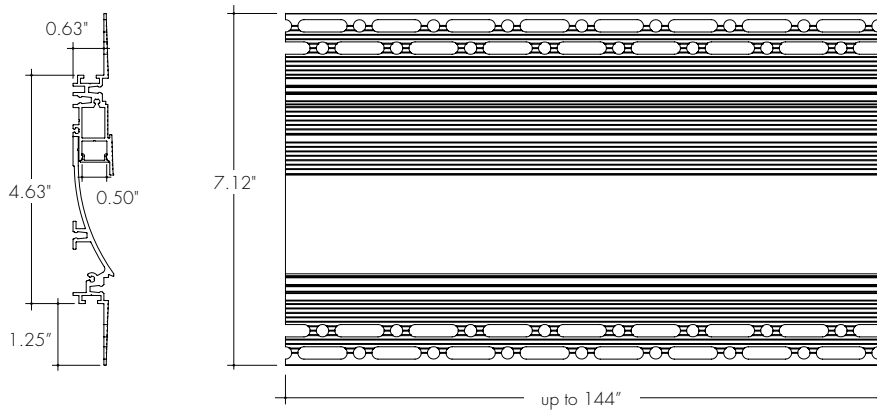
Diffuser Lens
Polycarbonate, snap-in-place, UV resistant

Mounting
Integrated mud-in flange to be used with Number 6 size screws

Warranty
7 Years



Product Dimensions



MOUNTING ACCESSORIES	
EXTRUSION LENGTH	INCLUDED SCREWS
48"	6
96"	12
144"	18

TRANSMISSION PERCENTAGE (COMPARED TO LED TAPE WITHOUT CHANNEL)	
LENS	TRANSMISSION %
Frosted Lens	45%

See LED tape spec sheet for lens dotting characteristics & compatibility

Both extrusion and reflector need to be screwed into wall studs.

Ordering Code

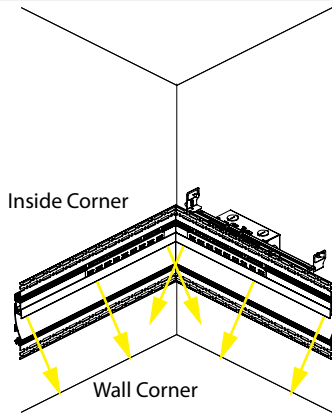
KREST FAMILY	MODEL	REFLECTOR	LENGTH	LENS	MOUNTING ³	FINISH ⁴
KRESTC-Krest Channel ¹	RVL-Reveal	RS3-Reveal Scoop, 3" Reflector	48-48" 96-96" ² 144-144" ²	F-Frosted	GDS-Gypsum To Drywall Surface	WH-White Powder Coat

1 - Endcaps are not included with channel, order endcaps as necessary.
2 - For Channels and Lenses over 96", incremental shipping charges will apply.

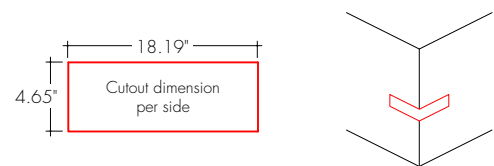
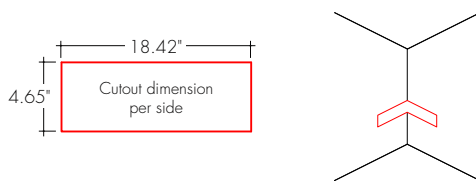
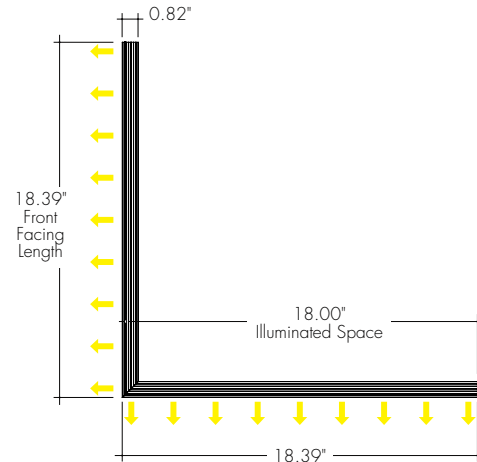
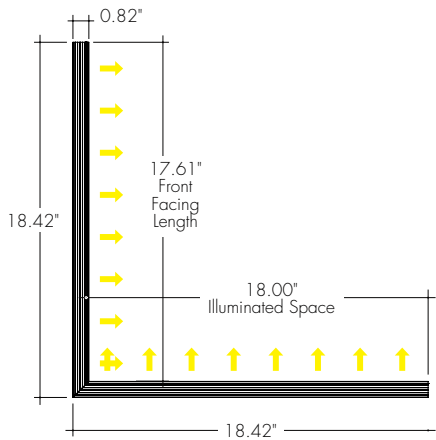
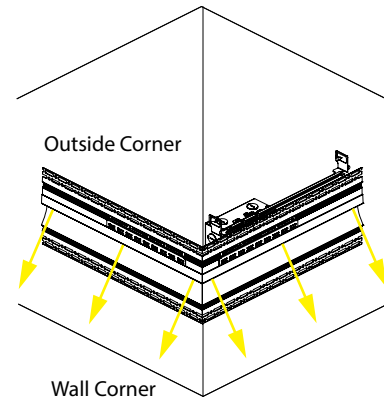
3 - Mounting screws are included with channel. Refer to chart above for provided mounting screw quantities.
4 - Two front aligners are included with Channel.

Krest Reveal Corner Dimensions

KRESTC-RVL-RS3-IC
Inner Corner



KRESTC-RVL-RS3-OC
Outside Corner



Corner Type	Actual Length	
	A	B
Inside (KRESTC-RVL-IC)	18.42"	18.42"
Outside (KRESTC-RVL-OC)	18.39"	18.39"

Ordering Code

KREST FAMILY	MODEL	REFLECTOR	CORNER TYPE	ANGLE ¹	LENS	MOUNTING	FINISH
KRESTC-Krest Channel	RVL-Reveal	RS3-Reveal Scoop, 3" Reflector	IC-Inside Corner OC-Outside Corner	90-90° Corner C Custom Angle Corner ¹	F-Frosted Lens	GDS-Gypsum Drywall Surface	WH-White Powder Coat

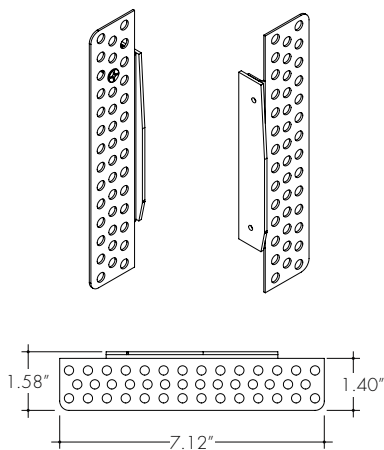
1 - Endcaps are not included with channel, order endcaps as necessary.
2 - Two front aligners are included with Channel.

3 - One junction box is included with corner Channel

Accessories - Sold Separately

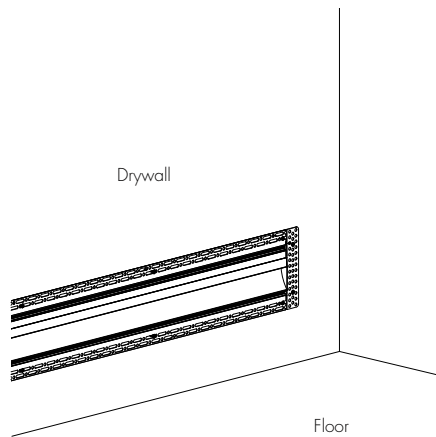
EC-KRESTC-RVL-RS3-WH-LR

Krest Reveal endcap pair, compatible with Reveal Scoop 3" Reflector, White Finish

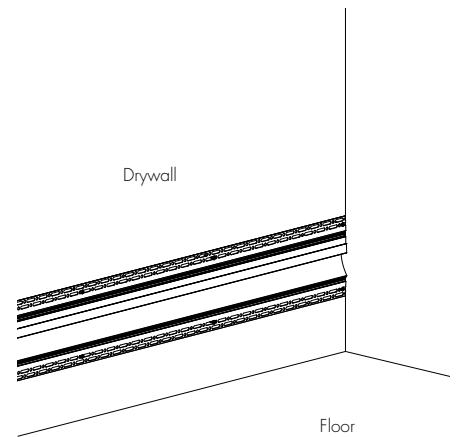


Includes both left and right endcap as well as mounting screws.

NOTE: Not included - ordered separately only



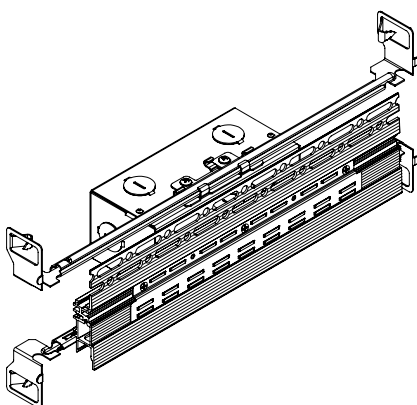
Use endcaps when ending system run in the middle of a wall.



Endcaps not needed when system run ends at adjacent perpendicular wall surface

KRESTC-PF-12-SA

Krest Power Feed Extrusion, 12" long

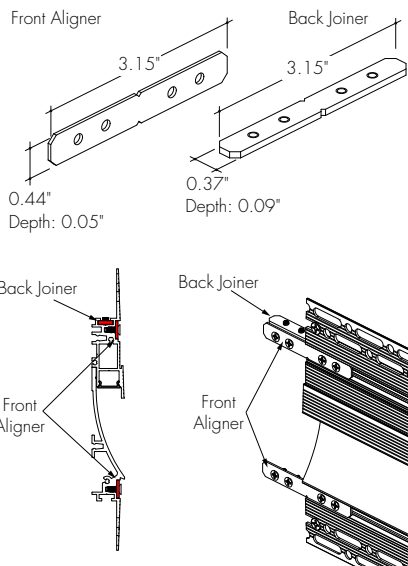


The Krest Power Feed has specially machined slots for wire management. It includes the LED extrusion, junction box, one back joiner, one front joiner, one front slot cover, and four trap door covers.

NOTE: Does NOT include the lens or reflector. 12" long

JOIN-KREST-ST-KIT

Krest Joiners, front aligner (x2) and back joiner (x2)

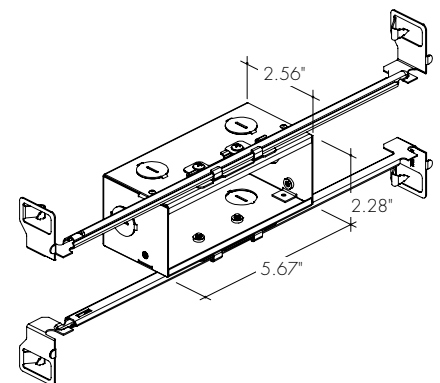


Both joiners (front aligner and back joiner) include necessary screws for mounting/installation. Includes two back joiners (only one needed for Krest Reveal), two front joiners, extrusion shown for reference.

NOTE: Two front aligners Included when ordering Krest Reveal Channel. One of each joiner included when ordering Krest power feed. Available to order extra as needed.

JB-KRESTC

Krest Junction Box with Hanger Bars

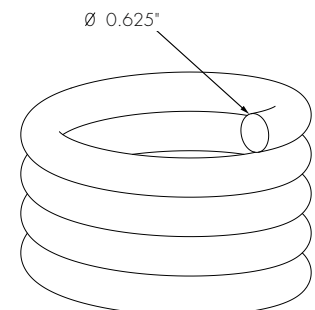


For use when wanting more than one junction box on the Krest Reveal Corner Channel

NOTE: Does not mechanically mate to Krest Extrusion

DUST-CVR-KRESTC

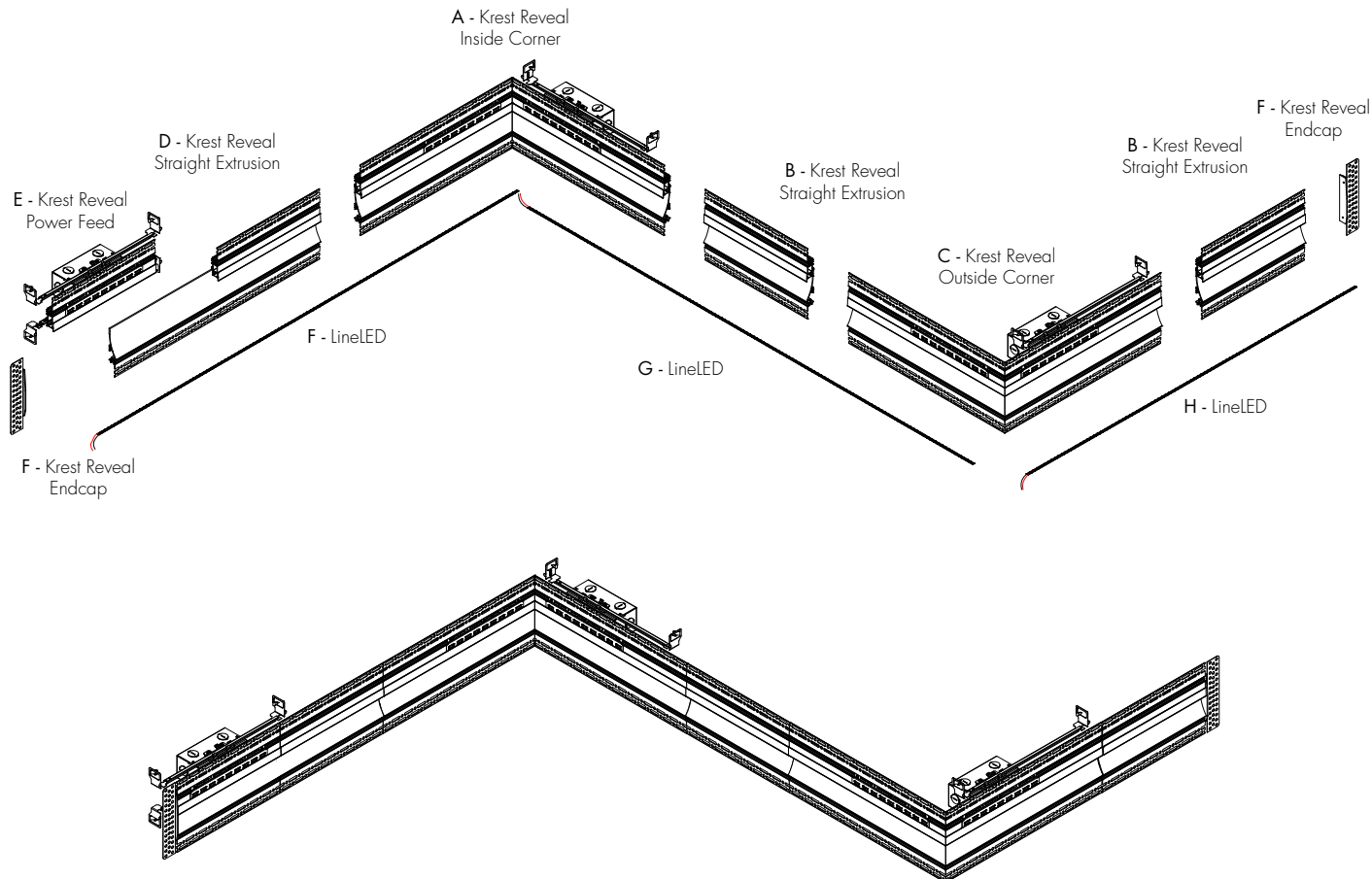
Krest Dust Cover Foam Roll



The foam dust cover is used during the installation process to protect the LED cavity during plastering.
NOTE: Sold per foot. Max continuous length is 100ft

Layout Example - DIY

Corner types and straight runs are ordered individually



Parts and accessories required to make example layout:

ID	Part Number	Description	Quantity
A	KRESC-RVL-RS3-IC-90-F-GDS-WH	Krest Reveal, Reveal Scoop 3" Reflector, Inside Corner, 90°, Frosted Lens, Gypsum Drywall-Surface Mounting, White Reflector	1
B	KRESC-RVL-RS3-48-F-GDS-WH	Krest Reveal, Reveal Scoop 3" Reflector, 48" Long, Frosted Lens, Gypsum Drywall-Surface Mounting, White Reflector	2
C	KRESC-RVL-RS3-OC-90-F-GDS-WH	Krest Reveal, Reveal Scoop 3" Reflector, Outside Corner, 90°, Frosted Lens, Gypsum Drywall-Surface Mounting, White Reflector	1
D	KRESC-RVL-RS3-96-F-GDS-WH	Krest Reveal, Reveal Scoop 3" Reflector, 96" Long, Frosted Lens, Gypsum Drywall-Surface Mounting, White Reflector	1
E	KRESC-PF-12-SA	Krest Power Feed Extrusion, 12" Long, Silver Anodized (doesn't include reflector or lens - meant to replace 12" of straight extrusion)	1
F	EC-KRESC-RVL-RS3-WH-LR	Krest Reveal endcap pair	1
Parts below are to be ordered separately			
F	LLVC72-SO-30K-SL-NC-8	LineLED, Vibrant Color, Standard Output, 3000K, Soldered lead wires (72") at one end, No connector at other end.	1
G	LLVC72-SO-30K-SL-NC-4	LineLED, Vibrant Color, Standard Output, 3000K, Soldered lead wires (72") at one end, No connector at other end.	1
H	LLVC72-SO-30K-SL-NC-4	LineLED, Vibrant Color, Standard Output, 3000K, Soldered lead wires (72") at one end, No connector at other end.	1
I	PS-UNI-60-24	Power Supply, 120-277VAC, 0-10V, Phase Dimming, 60 Watts, 24VDC	3