

### Features

The KRESTC-EDGE Channel is a linear aluminum extrusion that has been designed for mud-in installations including: straight edge reveal, wall-to-ceiling perimeter, and toe-kick lighting. Substantial aluminum mass in profile provides excellent heat sink for high power LEDs. Indirect lighting for a soft glow. For use with 5/8" or thicker drywall.

#### Finish

LED Extrusion: Silver Anodized  
Reflector: White Powder Coat

#### Mounting

Integrated mud-in flange to be used with Number 6 size screws

#### Diffuser Lens

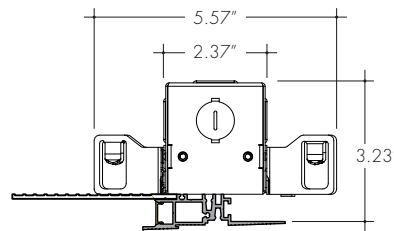
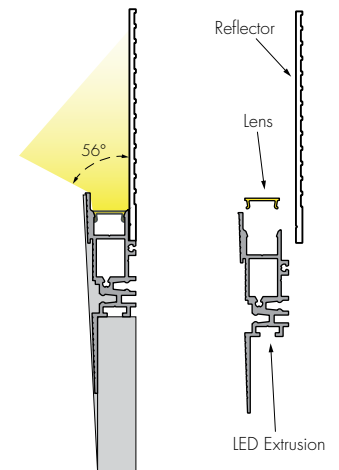
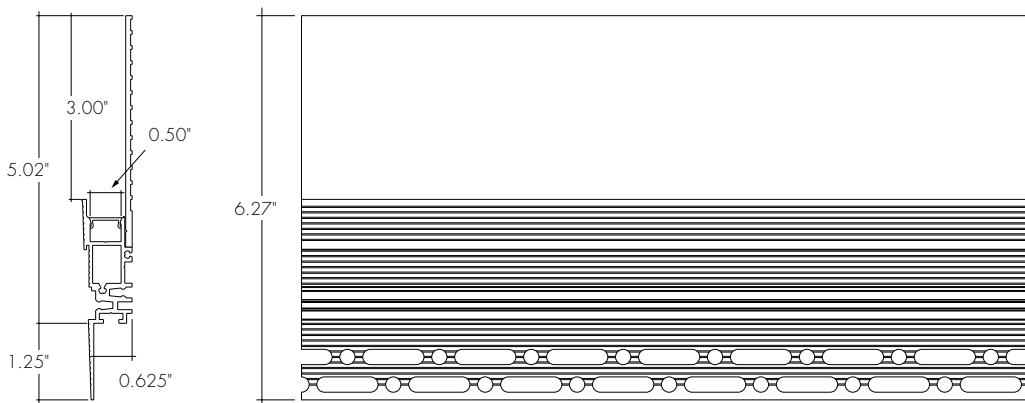
Polycarbonate, snap-in-place, UV resistant

#### Warranty

7 Years



### Product Dimensions



Krest Edge with Junction Box

EXTRUSION LENGTH	INCLUDED SCREWS
48"	6
96"	12
144"	18

Both extrusion and reflector need to be screwed into wall studs.

### TRANSMISSION PERCENTAGE (COMPARED TO LED TAPE WITHOUT CHANNEL)

LENS	TRANSMISSION %
Frosted Lens	45%

See LED tape spec sheet for lens dotting characteristics & compatibility

### Ordering Code

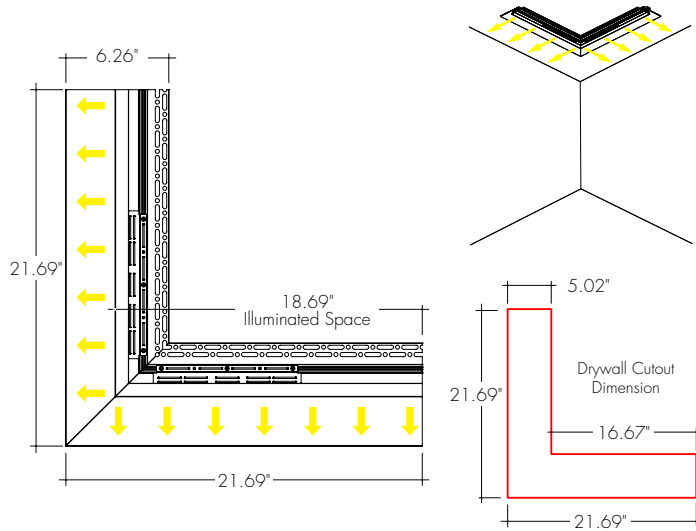
KREST FAMILY	MODEL	REFLECTOR	LENGTH	LENS	MOUNTING <sup>3</sup>	FINISH <sup>4</sup>
KRESTC-Krest Channel <sup>1</sup>	EDGE-Krest Edge	F3-Flat, 3" Reflector	48-48" 96-96" <sup>2</sup> 144-144" <sup>2</sup>	F-Frosted	GDS-Gypsum To Drywall Surface	WH-White Powder Coat

1 - Endcaps are not included with channel, order endcaps as necessary.  
2 - For Channels and Lenses over 96", incremental shipping charges will apply.

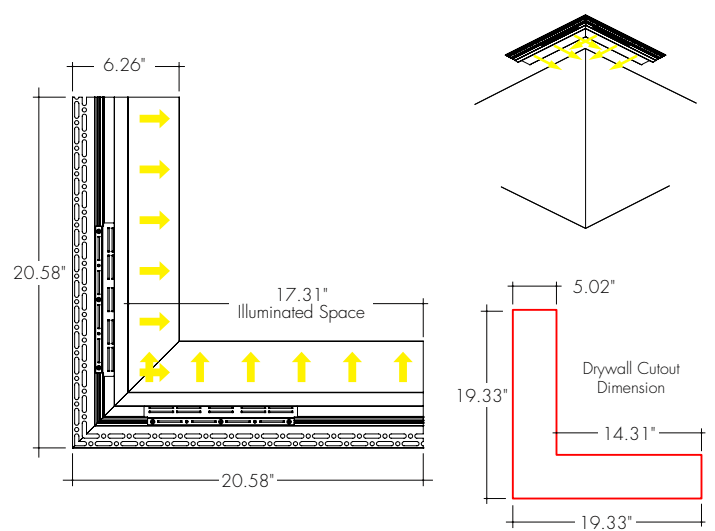
3 - Mounting screws are included with channel. Refer to chart above for provided mounting screw quantities.  
4 - One front aligner is included with Channel.

### Krest Edge Corner Options

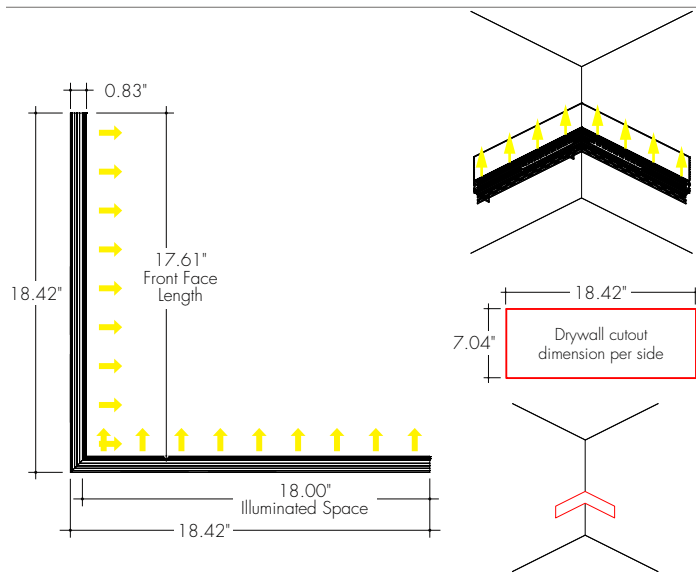
**KRESTC-EDGE-F3-FIC**  
Flat Inside Corner



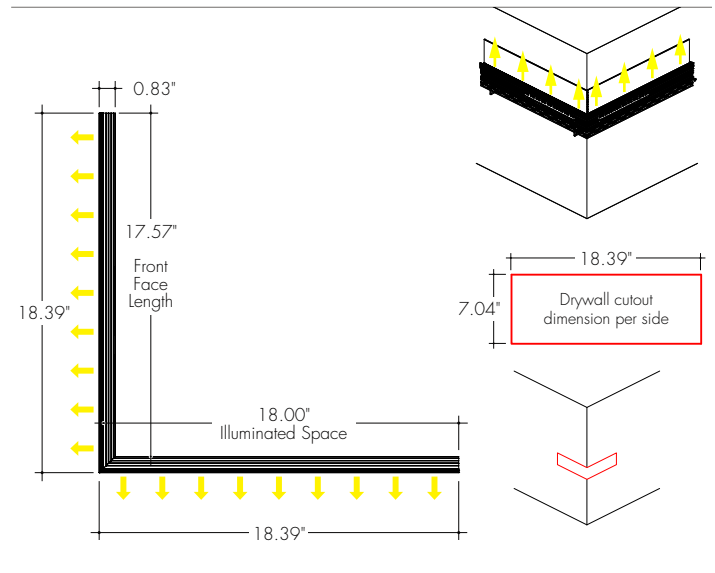
**KRESTC-EDGE-F3-FOC**  
Flat Outside Corner



**KRESTC-EDGE-F3-IC**  
Inner Corner



**KRESTC-EDGE-F3-OC**  
Outside Corner



Corner Type	Actual Length	
	A	B
Flat Inside (KREST-FIC)	21.69"	21.69"
Flat Outside (KREST-FOC)	20.58"	20.58"
Inner (KREST-IC)	18.42"	18.42"
Outer (KREST-OC)	18.39"	18.39"

### Ordering Code

KREST FAMILY	MODEL	REFLECTOR	CORNER TYPE	ANGLE <sup>1</sup>	LENS	MOUNTING	FINISH
KRESTC-Krest Channel	EDGE-Krest Edge	F3-Flat 3" Reflector	IC-Inner Corner OC-Outer Corner FIC-Flat Inside Corner FOC Flat Outside Corner	90-90° Corner C Custom Angle Corner <sup>1</sup>	F-Frosted Lens	GDS-Gypsum Drywall Surface	WH-White Powder Coat

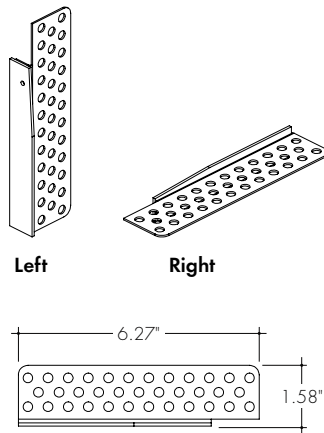
1 - Endcaps are not included with channel, order endcaps as necessary.  
2 - One front aligner is included with Channel.

3 - One junction box is included with corner Channel

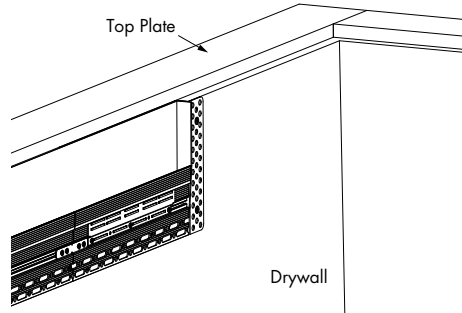
### Accessories - Sold Separately

#### EC-KRESTC-EDGE-F3-WH-LR

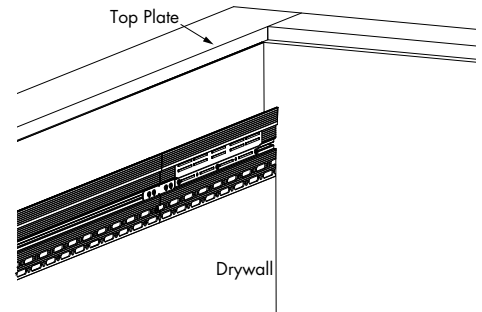
Krest endcap pair, compatible with Flat 3" Reflector Plate, White Finish



Left Right



Drywall



Drywall

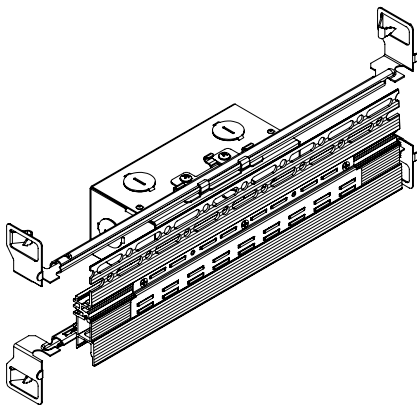
Includes both left and right endcap as well as mounting screws.  
**NOTE: Not included - ordered separately only**

Use endcaps when ending system run in the middle of a wall.

Endcaps not needed when system run ends at adjacent perpendicular wall surface

#### KRESTC-PF-12-SA

Krest Power Feed Extrusion, 12" long

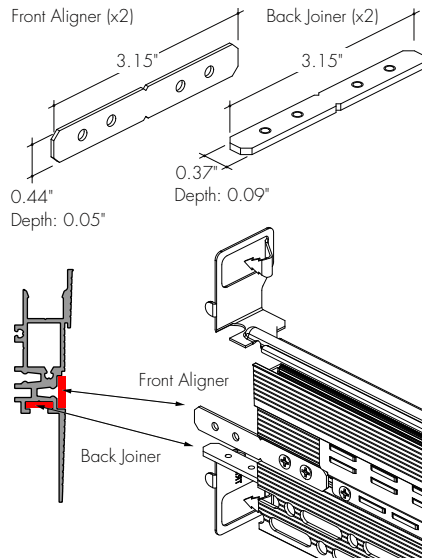


The Krest Power Feed has specially machined slots for wire management. It includes the LED extrusion, junction box, one back joiner, one front joiner, one front slot cover, and four trap door covers.

**NOTE: Does NOT include the lens or reflector. 12" long**

#### JOIN-KRESTC-ST-KIT

Krest Joiners, front aligner (x2) and back joiner (x2)

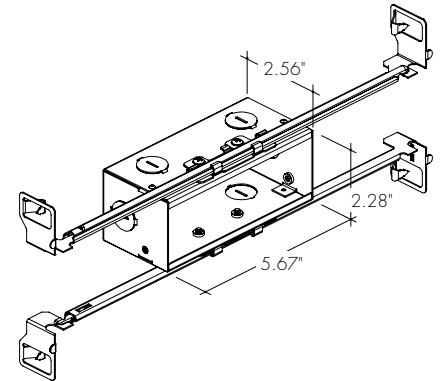


Both joiners (front aligner and back joiner) include necessary screws for mounting/installation. Includes two of each joiners, extrusion shown for reference only.

**NOTE: One front aligner Included when ordering Krest Edge Channel or Krest Edge Corner Channel. One of each joiner is included when ordering Krest power feed. Available to order extra as needed.**

#### JB-KRESTC

Krest Junction Box with Hanger Bars

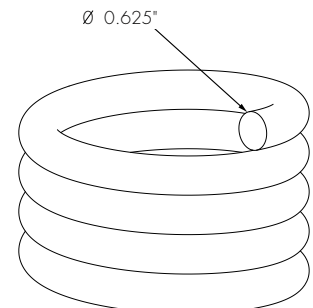


For use when wanting more than one junction box on the Krest Edge Corner Channel

**NOTE: Does not mechanically mate to Krest Extrusion**

#### DUST-CVR-KRESTC

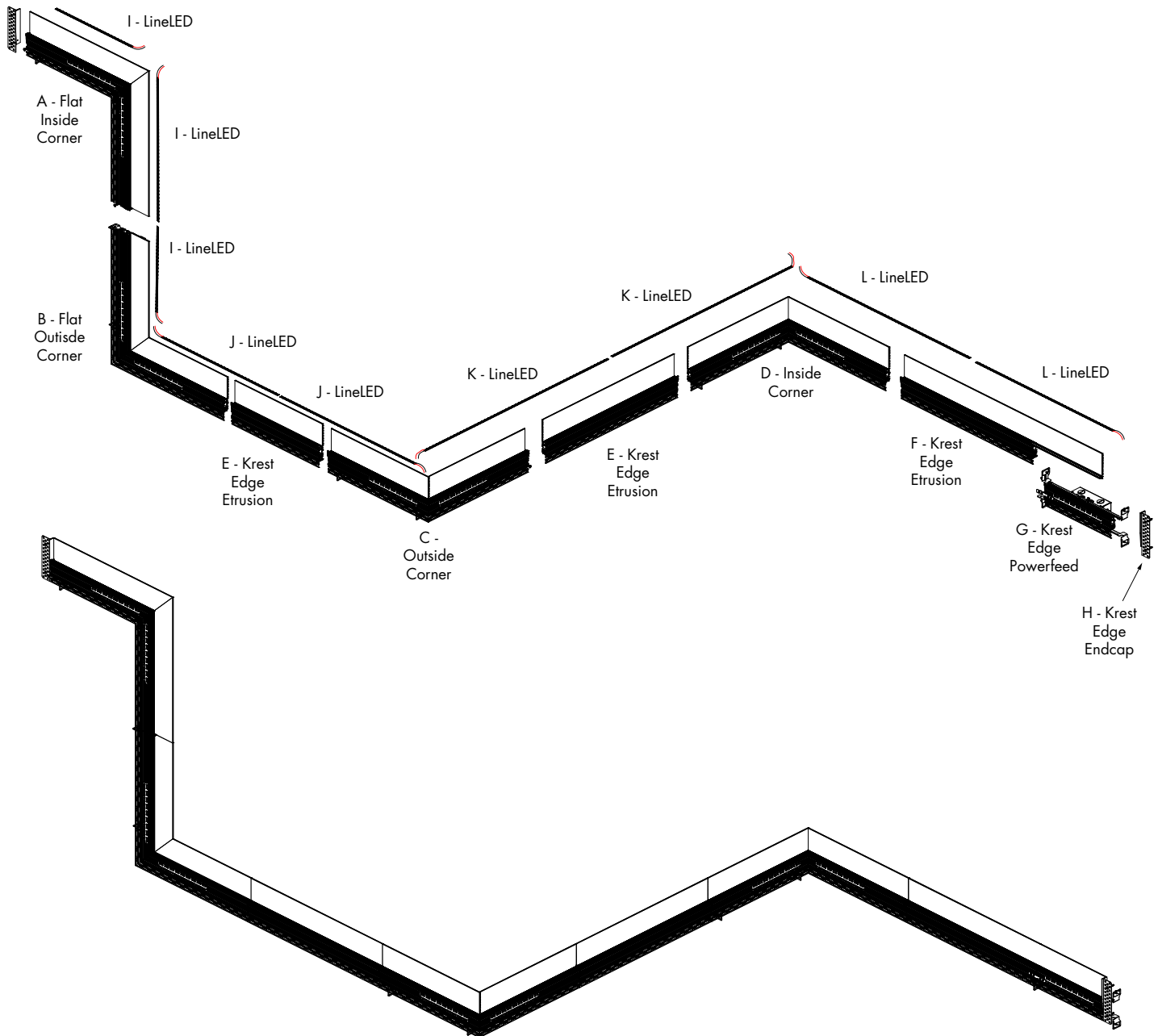
Krest Dust Cover Foam Roll



The foam dust cover is used during the installation process to protect the LED cavity during plastering.  
**NOTE: Sold per foot. Max continuous length is 100ft**

### Layout Example - DIY

Corner types and straight runs are ordered individually



Parts and accessories required to make example layout:

ID	Part Number	Description	Quantity
A	KRESTC-EDGE-F3-FIC-90-F-GDS-WH	Krest Edge, Flat 3" Reflector, Flat Inside Corner, 90°, Frosted Lens, Gypsum Drywall-Surface Mounting, White Reflector	1
B	KRESTC-EDGE-F3-FOC-90-F-GDS-WH	Krest Edge, Flat 3" Reflector, Flat Outside Corner, 90°, Frosted Lens, Gypsum Drywall-Surface Mounting, White Reflector	1
C	KRESTC-EDGE-F3-OC-90-F-GDS-WH	Krest Edge, Flat 3" Reflector, Outside Corner, 90°, Frosted Lens, Gypsum Drywall-Surface Mounting, White Reflector	1
D	KRESTC-EDGE-F3-IC-90-F-GDS-WH	Krest Edge, Flat 3" Reflector, Inside Corner, 90°, Frosted Lens, Gypsum Drywall-Surface Mounting, White Reflector	1
E	KRESTC-EDGE-F3-48-F-GDS-WH	Krest Edge, Flat 3" Reflector, 48" Long, Frosted Lens, Gypsum Drywall-Surface Mounting, White Reflector	2
F	KRESTC-EDGE-F3-96-F-GDS-WH	Krest Edge, Flat 3" Reflector, 96" Long, Frosted Lens, Gypsum Drywall-Surface Mounting, White Reflector	1
G	KRESTC-PF-12-SA	Krest Power Feed Extrusion, 12" Long, Silver Anodized (doesn't include reflector or lens - meant to replace 12" of straight extrusion)	1
H	EC-KRESTC-EDGE-F3-WH-LR	Krest Edge endcap pair	1
Parts below are to be ordered separately			
I	LLVC72-SO-30K-SL-NC-2	LineLED, Vibrant Color, Standard Output, 3000K, Soldered lead wires (72") at one end, No connector at other end. 18in. 5.5W	3
J	LLVC72-SO-30K-SL-NC-4	LineLED, Vibrant Color, Standard Output, 3000K, Soldered lead wires (72") at one end, No connector at other end. 39-6/16in. 11.8W	2
K	LLVC72-SO-30K-SL-NC-4	LineLED, Vibrant Color, Standard Output, 3000K, Soldered lead wires (72") at one end, No connector at other end. 39-10/16in. 11.9W	2
L	LLVC72-SO-30K-SL-NC-6	LineLED, Vibrant Color, Standard Output, 3000K, Soldered lead wires (72") at one end, No connector at other end. 63-4/16in. 18.6W	2
M	PS-UNI-60-24	Power Supply, 120-277VAC, 0-10V, Phase Dimming, 60 Watts, 24VDC	5