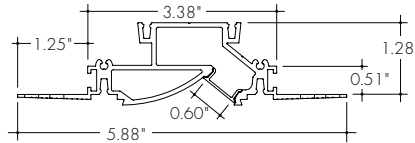




Features

- Krest Wash is a mud-in recessed wall wash fixture featuring a hyperbolic reflector for uniform lighting effect with no shadowline near the ceiling
- Class 2, LED strip listed for damp locations
- Indirect, dot free even illumination
- Krest System is a turn-key solution for complex layouts and runs - coming with pre-welded corners and specific power feed extrusions for installation ease.
- Shipped as field configurable strip and channel
- Recommended to be mounted 2ft from wall surface
- For use with 5/8" or thicker drywall
- Vibrant Color options offer premium quality and vibrant colors with R9 values up to 99
- High Efficacy options offer best in class output and efficacy with over 501 lm/ft and up to 53 lm/W
- Average Life (L70): 50,000hrs
- 7 year warranty



Technical Information

TYPE	Vibrant Color VC72						
OUTPUT OPTIONS	VC72VLO	VC72LO	VC72SO	VC72MO	VC72HO	VC72VHO	VC72XHO
Lumens Output (3000K) <small>(with a Frosted Lens)</small>	58 lm/ft	147 lm/ft	196 lm/ft	259 lm/ft	314 lm/ft	418 lm/ft	498 lm/ft
Average Power Consumption <small>(for a 4" section)</small>	1.1 W/ft	2.8 W/ft	3.7 W/ft	4.9 W/ft	5.9 W/ft	7.9 W/ft	9.9 W/ft
Efficacy	53 lm/W	53 lm/W	53 lm/W	53 lm/W	53 lm/W	53 lm/W	50 lm/W
Max Run Length <small>(in series)</small>	56.9 ft	32 ft	28 ft	24 ft	21 ft	18 ft	12 ft
Ambient Operating Temperature Range*	-4°F - 122°F (-20°C - 50°C)			-4°F - 113°F (-20°C - 45°C)		-4°F - 104°F (-20°C - 40°C)	

*Ambient Operating Temperature Range to maintain L70 of 50k+ hours in normal mounting conditions for the fixture. Exceeding Ambient Operating Temperature Range may result in decreased life/output. Consult Technical Support for specific inquiries.

TYPE	High Efficacy HE64						
OUTPUT OPTIONS	HE64VLO	HE64LO	HE64SO	HE64MO	HE64HO	HE64VHO	HE64XHO
Lumens Output (3000K) <small>(with a Frosted Lens)</small>	64 lm/ft	138 lm/ft	198 lm/ft	264 lm/ft	375 lm/ft	514 lm/ft	619 lm/ft
Average Power Consumption <small>(for a 4" section)</small>	1 W/ft	1.9 W/ft	2.9 W/ft	3.8 W/ft	5.6 W/ft	7.1 W/ft	8.9 W/ft
Efficacy	64 lm/W	73 lm/W	68 lm/W	69 lm/W	67 lm/W	72 lm/W	70 lm/W
Max Run Length <small>(in series)</small>	90 ft	54.9 ft	34.9 ft	26 ft	17 ft	13 ft	10.3 ft
Ambient Operating Temperature Range*	-4°F - 122°F (-20°C - 50°C)			-4°F - 104°F (-20°C - 40°C)			

*Ambient Operating Temperature Range to maintain L70 of 50k+ hours in normal mounting conditions for the fixture. Exceeding Ambient Operating Temperature Range may result in decreased life/output. Consult Technical Support for specific inquiries.

CCT	Multiplier <small>(ref. - 30K)</small>	TM-30			
		CRI	R _f	R _g	R ₉
1800K	0.50	95	94	99	86
2200K	0.66	96	94	101	95
2400K	0.90	98	96	101	91
2700K	0.93	98	96	102	93
3000K	1.00	97	94	104	99
3500K	1.04	96	94	105	97
4100K	1.05	97	95	104	96

CCT	Multiplier <small>(ref. - 30K)</small>	High Efficacy (HE64)			
		CRI	R _f	R _g	R ₉
2200K	0.74	94	91	96	65
2400K	0.87	94	92	97	56
2700K	0.97	94	92	100	57
3000K	1.00	93	91	99	54
3500K	1.01	95	91	99	62
4000K	1.04	95	91	99	68

Ordering Code

KREST	MODEL	REFLECTOR	SHAPE	LENGTH ¹	OUTPUT ²	CCT	LENS	MOUNTING	FINISH
KREST - Krest System	WASH - Krest Wall Wash	H1 - Hyperbolic 1" Reflector	STR - Straight Run CMLX - Complex Shape	Overall System Length in Inches (1/16) EX: 1249.0625	VC72VLO - Very Low VC72LO - Low VC72SO - Standard VC72MO - Medium VC72HO - High VC72VHO - Very High VC72XHO - Extreme	18K - 1800K 22K - 2200K 24K - 2400K 27K - 2700K 30K - 3000K 35K - 3500K 41K - 4100K	F - Frosted Lens	GDS - Gypsum Drywall Surface	WH - White Powder Coat
			UFIC - U-Shape, Flat Inside Corner UFOC - U-Shape, Flat Outside Corner	Leg 1 X Leg 2 X Leg 3 in Inches (1/16) EX: 115.0625 X 13.50 X 235.125					
			LFIC - L-Shape, Flat Inside Corner LFOC - L-Shape, Flat Outside Corner RECFIC - Rectangle, Flat Inside Corner RECFOC - Rectangle, Flat Outside Corner	Leg 1 X Leg 2 in Inches (1/16) EX: 115.0625 X 13.50					
					HE64VLO - Very Low HE64LO - Low HE64SO - Standard HE64MO - Medium HE64HO - High HE64VHO - Very High HE64XHO - Extreme	22K - 2200K 24K - 2400K 27K - 2700K 30K - 3000K 35K - 3500K 40K - 4000K			

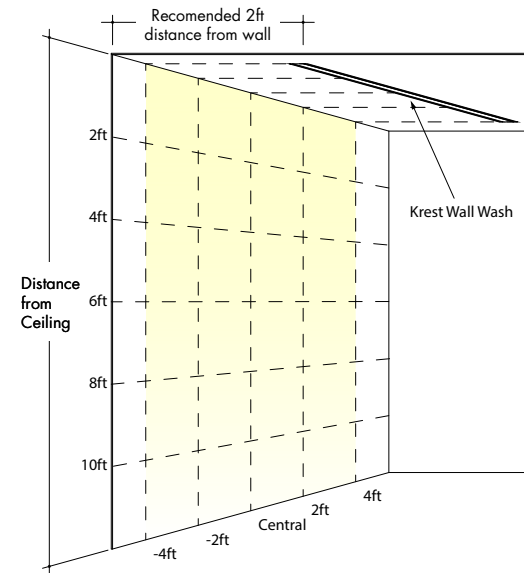
1 - Length written in decimal format to the closest sixteenth of an inch.

2 - Title 24 JAB achievable depending on Output, CCT, and Lens selections. See multiplier charts to calculate specific efficacies.

Krest Wall Wash Footcandle Measurements

KREST-WASH-H1-STR-48-VC72VHO-30K-F-GDS-WH

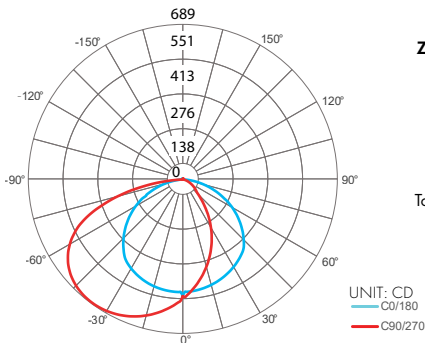
Distance from Ceiling	Wall Width								
	-4ft	-3ft	-2ft	-1ft	Center	1ft	2ft	3ft	4ft
1ft	5.8	16.1	31.9	43.1	44.9	44.3	35.6	20.1	7.8
2ft	13.5	28.6	47.4	60	61.7	60.2	47.8	29.1	13.8
3ft	11.2	19.3	28	33.8	34.6	33.8	27.9	19.1	11.1
4ft	8	11.8	15.6	18	18.3	18	15.5	11.7	7.8
5ft	5.5	7.4	9.1	10.1	10.2	10.1	9	7.2	5.3
6ft	3.8	4.8	5.6	6.1	6.1	6	5.5	4.7	3.7
7ft	2.7	3.2	3.6	3.9	3.9	3.8	3.6	3.1	2.6
8ft	1.9	2.2	2.5	2.6	2.6	2.6	2.4	2.2	1.9
9ft	1.4	1.6	1.7	1.8	1.8	1.8	1.7	1.6	1.4
10ft	1.1	1.2	1.3	1.3	1.3	1.3	1.2	1.2	1
11ft	0.8	0.9	0.9	1	1	1	0.9	0.9	0.8
12ft	0.6	0.7	0.7	0.7	0.7	0.7	0.7	0.7	0.6



Photometry

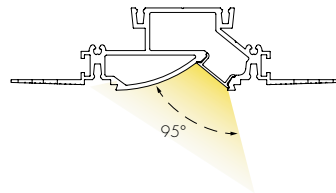
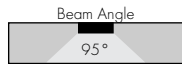
KREST-WASH-H1-STR-48-VC72VHO-30K-F

Krest Wall Wash, Hyperbolic 1" Reflector, 4ft, VHO, 3000K, Frosted Lens



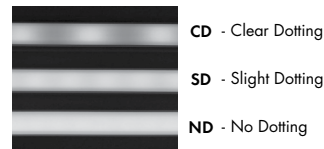
Zonal Lumen Summary 3000K

Zone	Lumen	% Fixture
0-30	99	23.6%
0-40	165	39.5%
0-60	306	73.3%
0-90	414	99.0%
Total 0-180	418	100.0%



Light Transmission and Dotting

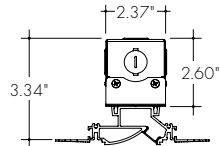
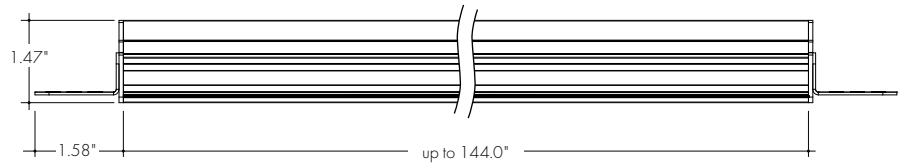
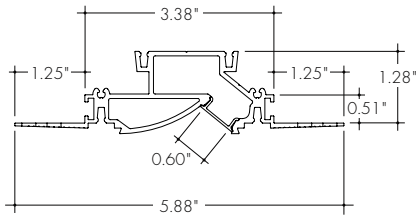
Output Options	Lens/Accessory			
	Frosted Lens			
Dimming Level	100%	50%	10%	1%
VC72VLO	ND	ND	ND	ND
VC72LO	ND	ND	ND	ND
VC72SO	ND	ND	ND	ND
VC72MO	ND	ND	ND	ND
VC72HO	ND	ND	ND	ND
VC72VHO	ND	ND	ND	ND
VC72XHO	ND	ND	ND	ND
HE64VLO	ND	ND	ND	ND
HE64LO	ND	ND	ND	ND
HE64SO	ND	ND	ND	ND
HE64MO	ND	ND	ND	ND
HE64HO	ND	ND	ND	ND
HE64VHO	ND	ND	ND	ND
HE64XHO	ND	ND	ND	ND
Transmission Percentage	100%			



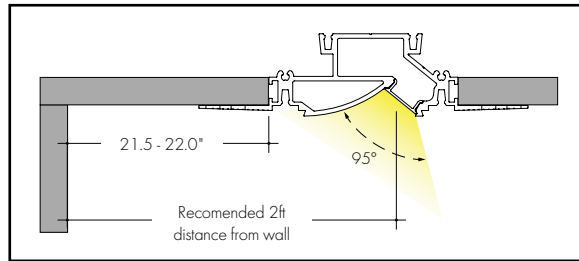
Use complete Dotting Chart Tool online for more dotting information



Product Dimensions



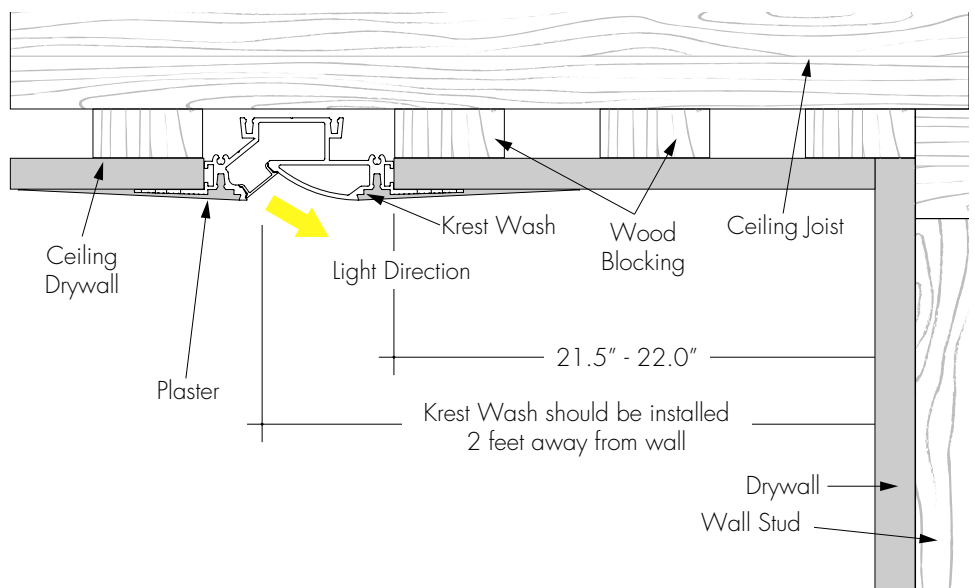
Krest Wash with Junction box attached



Applications

Wall Wash

Fixture mounted on 5/8" or thicker ceiling drywall. Suggested to use wood blocking. Fixture should be installed 2 feet from Wall



Finish Options

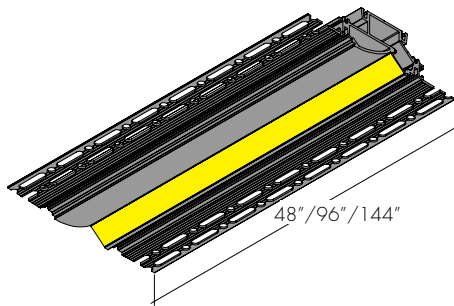
White
Powder Coat



White is a polar bright white and field paintable.

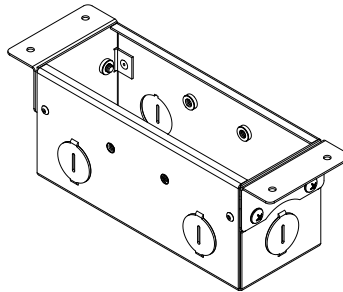
Krest System - What's Included

A - Krest Wall Wash Straight Extrusion



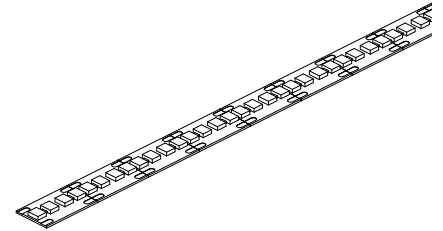
Included with Krest System, the Krest Straight extrusion is the main architectural housing for the majority of the system run. It includes the lens, two front joiners, and mounting screws. Provided in lengths of 48"/96"/144" long.

B - Krest Junction Box



Included with Krest System, the Krest Junction Box includes brackets & mounting screws to directly attach to the Krest Wall Wash Straight Extrusion.

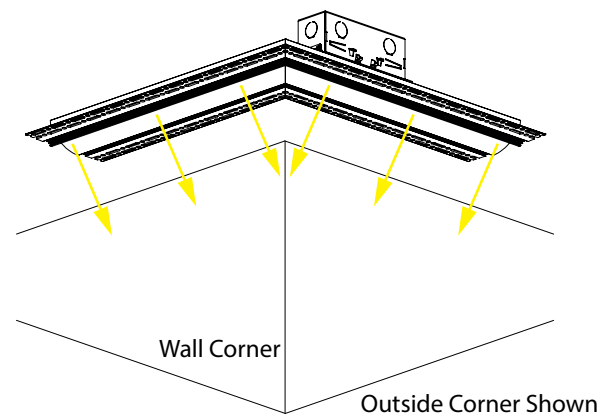
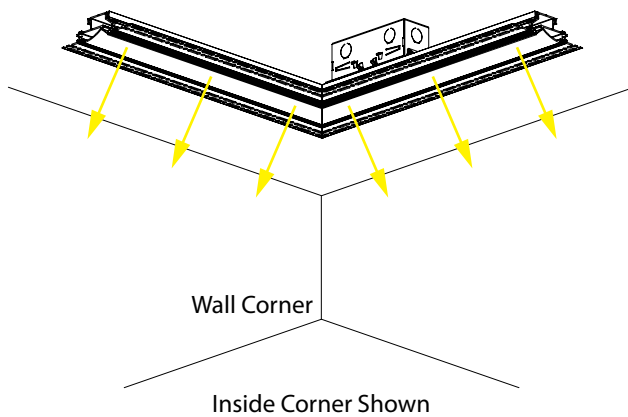
C - LineLED



Included with Krest System, the LineLED will be split into runs based on system layout and max run length of the LED strip. By default, the LineLED will come with soldered leads (SL) on one end and no connector (NC) on the other. Additional configurations available upon request.

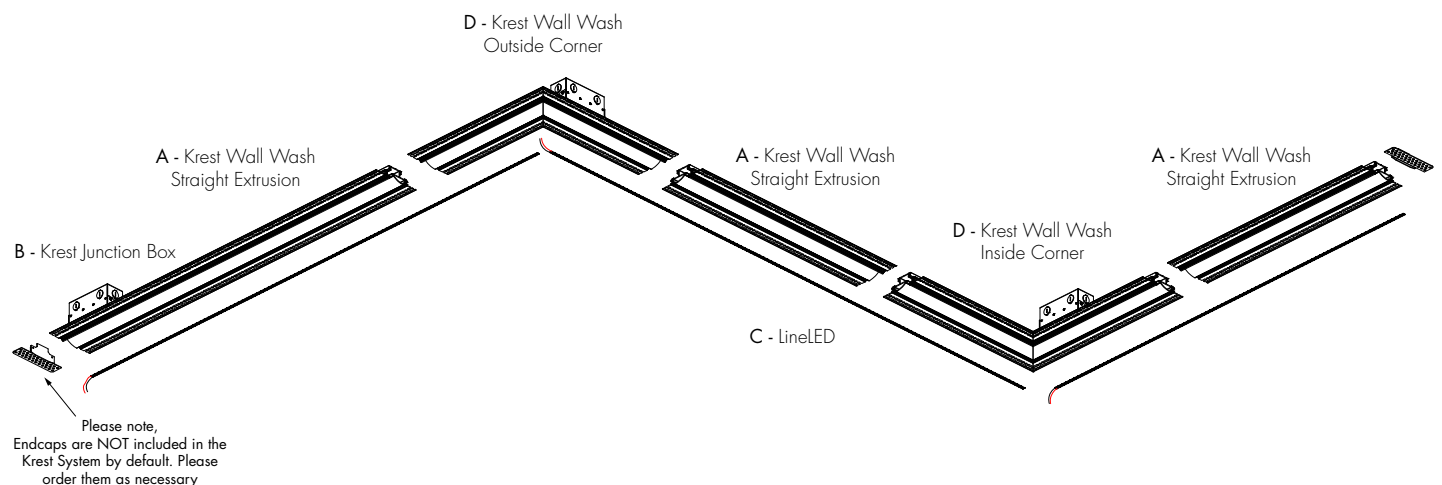
D - Krest Wash Corner Power Feed

Based on ordered Run



Included with Krest System, the Krest Wash Corner Power Feed has pre-welded corners, two lenses, junction box, and two front joiners. Corners are nominally 18" x 18"
NOTE: ALL CORNERS CAN FEED POWER TO LED STRIPS IN BOTH DIRECTIONS. ONLY ONE JUNCTION BOX INCLUDED

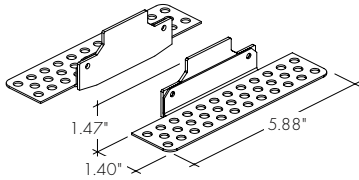
Krest System - Sample Layout



Accessories

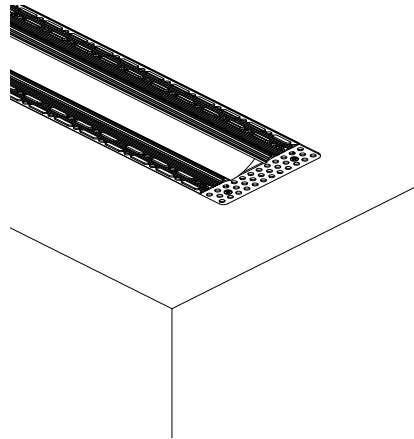
EC-KRESTC-WASH-H1-WH-LR

Krest endcap pair, compatible with Hyperbolic 1" Reflector Plate, White Finish

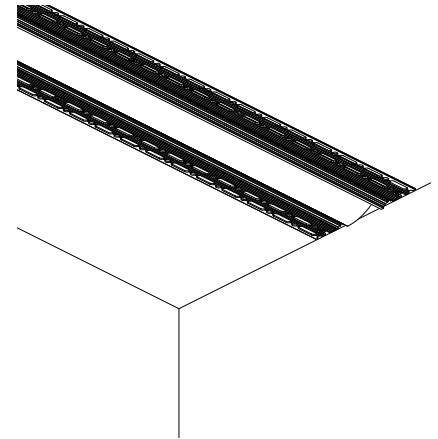


Includes both left and right endcap as well as mounting screws.

NOTE: Not included - ordered separately only



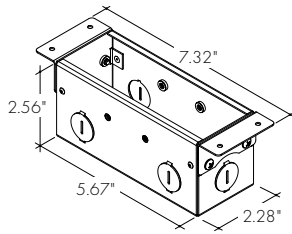
Use endcaps when ending system run in the middle of a wall.



Endcaps not needed when system run ends at adjacent perpendicular wall surface

JB-KRESTC-WASH

Krest Junction Box. Attaches to Krest Wash Extrusion



Included with Krest System, but also available to order extra as necessary if wanting junction box on both legs of the corner extrusion. Includes mounting screws to attach to Krest Wash extrusion.

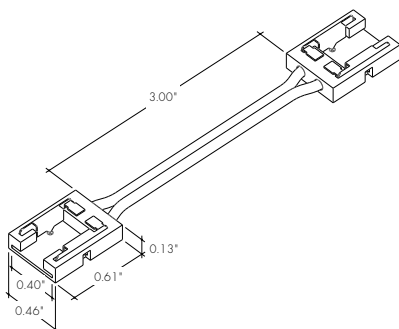
Minii Connectors

Minii connectors are easy, field-installable accessories that make joining LL strip simple! Their minimal width allows them to fit into extrusions, while their transparent frame eliminates dark spots.

Note: minii connectors are NOT included in Krest System by default. LED strip included in Krest System comes with soldered leads as standard. If requested, minii connectors could be ordered instead.

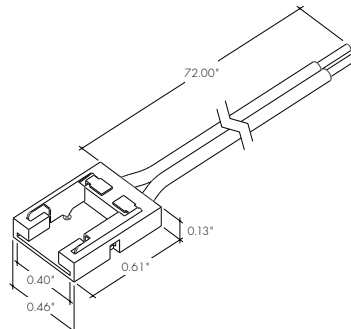
LL-PJC-10-03

Jumper minii connector with 3" wire for Static White LED strip



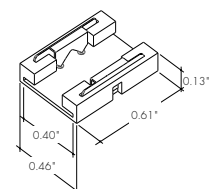
LL-PFC-10-72

Power feed minii connector with 72" wire for Static White LED strip



LL-BSC-10

Butt splice minii connector for Static White LED strip



Power Consumption

Please visit the link/QR code below to access the Luminii Power Consumption Chart tool on our website.

There you will be able to select your fixture, output, and desired power feed to get a full power consumption table.



I'm also click-able

Desired Nominal Length: _____

Desired Output: _____

Desired CCT: _____

Voltage Drop Calculator

The below chart assumes nominal voltage of 24 Volts and a Voltage Drop Allowance of 3% through the wire

Wattage [W]	Wire Length From Power Supply to Start of Run [ft]						
	12 AWG	14 AWG	16 AWG	18 AWG	20 AWG	22 AWG	24 AWG
5	1088.2	684.4	430.3	270.6	170.2	107.1	67.3
10	544.1	342.2	215.1	135.3	85.1	53.5	33.7
15	362.7	228.1	143.4	90.2	56.7	35.7	22.4
20	272.0	171.1	107.6	67.7	42.6	26.8	16.8
25	217.6	136.9	86.1	54.1	34.0	21.4	13.5
30	181.4	114.1	71.7	45.1	28.4	17.8	11.2
35	155.5	97.8	61.5	38.7	24.3	15.3	9.6
40	136.0	85.5	53.8	33.8	21.3	13.4	8.4
45	120.9	76.0	47.8	30.1	18.9	11.9	7.5
50	108.8	68.4	43.0	27.1	17.0	10.7	6.7
55	98.9	62.2	39.1	24.6	15.5	9.7	6.1
60	90.7	57.0	35.9	22.6	14.2	8.9	5.6
65	83.7	52.6	33.1	20.8	13.1	8.2	5.2
70	77.7	48.9	30.7	19.3	12.2	7.6	4.8
75	72.5	45.6	28.7	18.0	11.3	7.1	4.5
80	68.0	42.8	26.9	16.9	10.6	6.7	4.2
85	64.0	40.3	25.3	15.9	10.0	6.3	4.0
90	60.5	38.0	23.9	15.0	9.5	5.9	3.7
96	56.7	35.6	22.4	14.1	8.9	5.6	3.5

Power Supplies

See Power Supply instructions and spec sheet for wiring information. For a complete list of compatible dimmers, see Compatible Dimming Chart on the Resources page.

For use with Static White

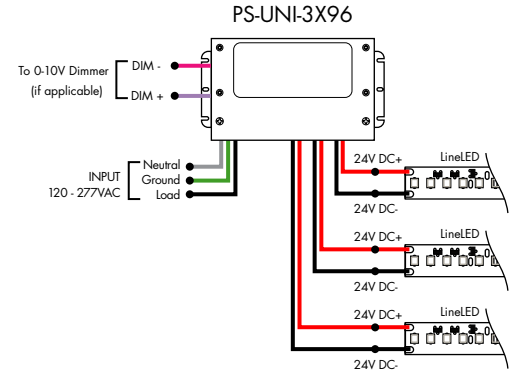
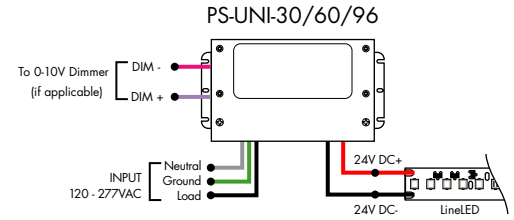
Ordering Code - Universal Dimming Power Supplies 0.1% 120VAC - 277VAC

MODEL	INPUT CONTROL	WATTAGE	OUTPUT
PS-Power Supply, 120-277VAC	UNI - 0-10V Dimming (0.1%), Phase Dimming (0.1%)	30 - 30 Watts 60 - 60 Watts 96 - 96 Watts 3x96 - 3x96 Watts	24 - 24 VDC

Compatibility: View a complete list of compatible dimmers on the PS-UNI product page.

0-10V - 0.1% dimming
MLV/ELV/TRIAC - 0.1% dimming, consult dimming compatibility chart

MODELS	PS-UNI-30W	PS-UNI-60W	PS-UNI-96W	PS-UNI-3X96W
Length	6.50"	7.40"	8.66"	11.85"
Width	3.73"	3.73"	3.73"	4.32"
Depth	1.61"	1.61"	1.61"	1.81"

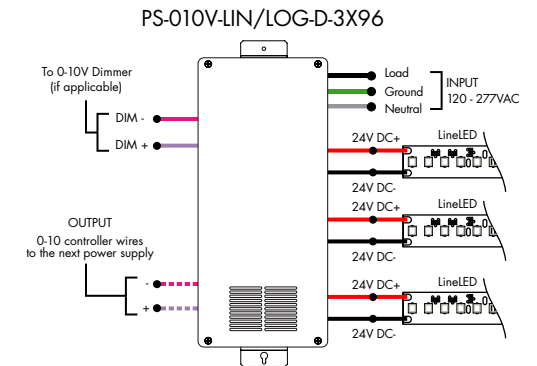
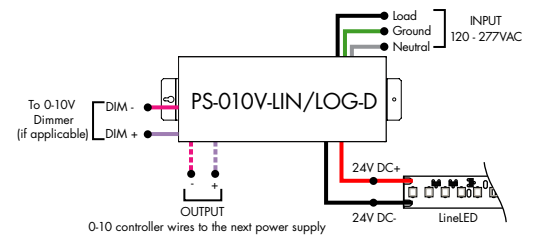


For use with Static White

Ordering Code - 0-10V Dimming Power Supplies 0.1% 120VAC - 277VAC

MODEL	INPUT CONTROL	ENVIRONMENT	WATTAGE	OUTPUT
PS-Power Supply, 120-277VAC	010V-LIN - 0-10V Dimming (0.1%), Linear 010V-LOG - 0-10V Dimming (0.1%), Logarithmic	D-Dry	96 - 96 Watts 3x96 - 3x96 Watts	24 - 24 VDC

MODELS	96W	3X96
Length	14.40"	15.00"
Width	5.20"	6.62"
Depth	2.60"	4.45"



Power Supplies

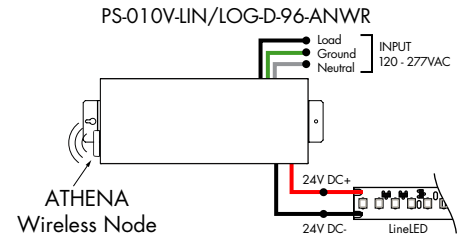
See Power Supply instructions and spec sheet for wiring information. For a complete list of compatible dimmers, see Compatible Dimming Chart on the Resources page.

For use with Static White

Ordering Code - Athena 0-10V LED Driver

MODEL	INPUT CONTROL	ENVIRONMENT	WATTAGE	OUTPUT	FEATURE
PS-Power Supply, 120-277VAC	010V-LIN-0-10V Dimming (0.1%), Linear	D-Dry	96-96 Watts	24-24 VDC	AWNR-Athena Wireless Node
	010V-LOG-0-10V Dimming (0.1%), Logarithmic				

MODELS	96W
Length	14.40"
Width	5.20"
Depth	2.60"

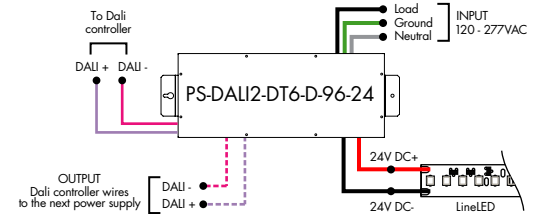


For use with Static White

Ordering Code - DALI 2 Dimming Power Supplies 0.1% 120VAC - 277VAC

MODEL	INPUT CONTROL	ENVIRONMENT	WATTAGE	OUTPUT
PS-Power Supply, 120-277VAC	DALI2-DT6-DALI2 DT6 (0.1%)	D-Dry	96-96 Watts	24-24 VDC

Model	96W
Length	14.40"
Width	5.20"
Depth	2.60"

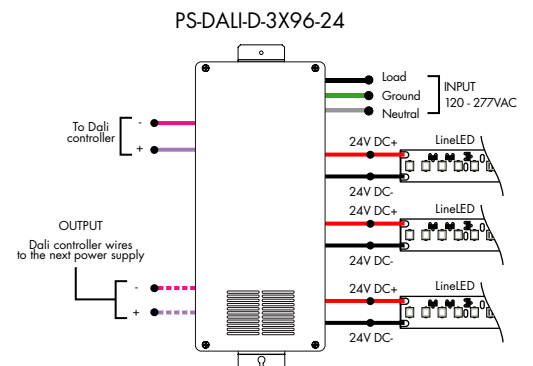
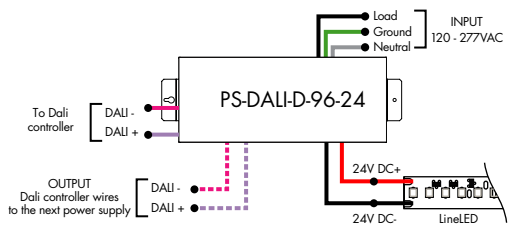


For use with Static White

Ordering Code - DALI Dimming Power Supplies 0.1% 120VAC - 277VAC

MODEL	INPUT CONTROL	ENVIRONMENT	WATTAGE	OUTPUT
PS-Power Supply, 120-277VAC	DALI-DALI (0.1%)	D-Dry	96-96 Watts 3x96-3x96 Watts	24-24 VDC

Model	96W	3X96
Length	14.40"	15.00"
Width	5.20"	6.62"
Depth	2.60"	4.56"



Power Supplies

See Power Supply instructions and spec sheet for wiring information. For a complete list of compatible dimmers, see Compatible Dimming Chart on the Resources page.

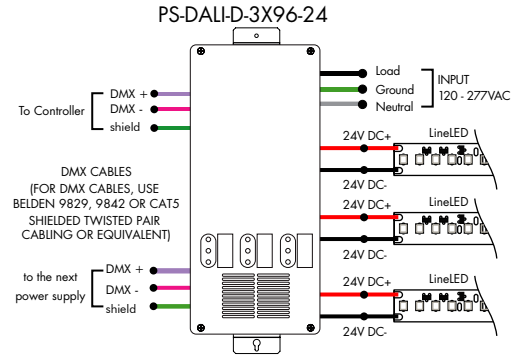
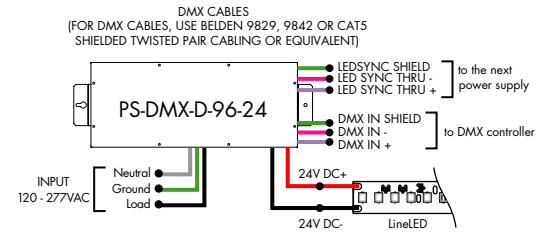
For use with Static White

Ordering Code - DMX Dimming Power Supplies 0.1% 120VAC - 277VAC

MODEL	INPUT CONTROL	ENVIRONMENT	WATTAGE	OUTPUT
PS-Power Supply, 120-277VAC	DMX-DMX (0.1%)	D-Dry	96-96 Watts 3x96-3x96 Watts	24-24 VDC

MODELS	96W	3X96
Length	14.40"	15.00"
Width	5.20"	6.62"
Depth	2.60"	4.56"

ZONAL CONTROL POWER SUPPLIES.
CONTROL MULTIPLE TAPES/ZONES USING DMX CHANNELS.

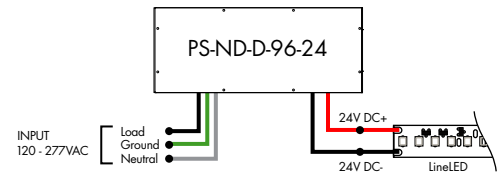


For use with Static White

Ordering Code - Non-Dimming Power Supply, 120VAC - 277VAC

MODEL	INPUT CONTROL	ENVIRONMENT	WATTAGE	OUTPUT
PS-Power Supply, 120-277VAC	ND-Non Dimming	D-Dry	96-96 Watts	24-24 VDC

MODELS	96W
Length	14.40"
Width	5.20"
Depth	2.60"

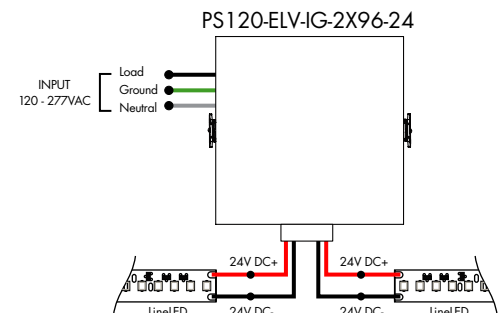


For use with Static White

Ordering Code - In-Ground Power Supplies

MODEL	INPUT CONTROL	ENVIRONMENT	WATTAGE	OUTPUT
PS120-Power Supply, 120VAC PS240-Power Supply, 240VAC PS277-Power Supply, 277VAC	ELV-ELV Dimming (1%)	IG-In Ground	2X96-2X96 Watts	24-24 VDC

MODELS	2X96W
Length	8.40"
Width	8.30"
Depth	8.10"



Power Supplies

See Power Supply instructions and spec sheet for wiring information. For a complete list of compatible dimmers, see Compatible Dimming Chart on the Resources page.



Luminii is a Lutron OEM Advantage Partner

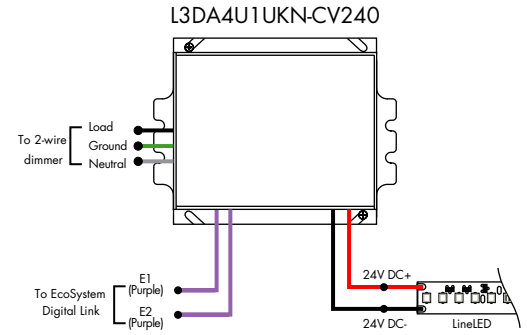
Lutron Power Supplies 1%

MODEL

L3DA4U1UKL-CV240

HiLume™ 1% EcoSystem Voltage LED driver 40W max

MODELS	L3DA4U1UKL-CV240
Length	4.98"
Width	4.00"
Depth	2.62"



Luminii is a Lutron OEM Advantage Partner

Lutron Power Supplies 0.1%

MODEL

L3D0-96W24V-U

HiLume™ 0.1% EcoSystem Voltage LED Driver with Soft-On, Fade-to-Black™ 96W max

MODELS	L3D0
Length	10.50"
Width	5.50"
Depth	2.00"

