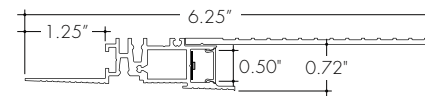


Features

- Krest Edge is a perimeter straight edge reveal that can be used in wall-to-ceiling perimeter lighting, ceiling-to-wall perimeter lighting, or toe-kick lighting
- Class 2, LED strip listed for damp locations
- Krest System is a turn-key solution for complex layouts and runs - coming with pre-welded corners and specific power feed extrusions for installation ease.
- Shipped as field configurable strip and channel
- Indirect, dot free even illumination
- For use with 5/8" or thicker drywall
- Vibrant Color options offer premium quality and vibrant colors with R9 values up to 99
- High Efficacy options offer best in class output and efficacy with over 510 lm/ft and up to 73 lm/W
- Average Life (L70): 50,000hrs
- 7 year warranty

- 1 - Straight Edge Reveal / Wall-To-Ceiling Perimeter
- 2 - Ceiling-To-Wall Perimeter
- 3 - Toe-Kick lighting



Technical Information

TYPE	Vibrant Color VC72					
OUTPUT OPTIONS	VC72VLO	VC72LO	VC72SO	VC72MO	VC72HO	VC72VHO
Lumens Output (3000K) <small>(with a Frosted Lens)</small>	58 lm/ft	147 lm/ft	196 lm/ft	259 lm/ft	314 lm/ft	418 lm/ft
Average Power Consumption <small>(for a 4" section)</small>	1.1 W/ft	2.8 W/ft	3.7 W/ft	4.9 W/ft	5.9 W/ft	7.9 W/ft
Efficacy	53 lm/W	53 lm/W	53 lm/W	53 lm/W	53 lm/W	53 lm/W
Max Run Length <small>(in series)</small>	56.9 ft	32 ft	28 ft	24 ft	21 ft	18 ft
Ambient Operating Temperature Range*	-4°F - 122°F (-20°C - 50°C)		-4°F - 113°F (-20°C - 45°C)		-4°F - 104°F (-20°C - 40°C)	-4°F - 86°F (-20°C - 30°C)

*Ambient Operating Temperature Range to maintain L70 of 50k+ hours in normal mounting conditions for the fixture. Exceeding Ambient Operating Temperature Range may result in decreased life/output. Consult Technical Support for specific inquiries.

CCT	Multiplier <small>(ref. - 30K)</small>	TM-30			
		CRI	R _f	R _g	R ₉
1800K	0.50	95	94	99	86
2200K	0.66	96	94	101	95
2400K	0.90	98	96	101	91
2700K	0.93	98	96	102	93
3000K	1.00	97	94	104	99
3500K	1.04	96	94	105	97
4100K	1.05	97	95	104	96

TYPE	High Efficacy HE64					
OUTPUT OPTIONS	HE64VLO	HE64LO	HE64SO	HE64MO	HE64HO	HE64VHO
Lumens Output (3000K) <small>(with a Frosted Lens)</small>	64 lm/ft	138 lm/ft	198 lm/ft	264 lm/ft	375 lm/ft	514 lm/ft
Average Power Consumption <small>(for a 4" section)</small>	1 W/ft	1.9 W/ft	2.9 W/ft	3.8 W/ft	5.6 W/ft	7.1 W/ft
Efficacy	64 lm/W	73 lm/W	68 lm/W	69 lm/W	67 lm/W	72 lm/W
Max Run Length <small>(in series)</small>	90 ft	54.9 ft	34.9 ft	26 ft	17 ft	13 ft
Ambient Operating Temperature Range*	-4°F - 122°F (-20°C - 50°C)			-4°F - 113°F (-20°C - 45°C)		-4°F - 95°F (-20°C - 35°C)

*Ambient Operating Temperature Range to maintain L70 of 50k+ hours in normal mounting conditions for the fixture. Exceeding Ambient Operating Temperature Range may result in decreased life/output. Consult Technical Support for specific inquiries.

CCT	Multiplier <small>(ref. - 30K)</small>	TM-30			
		CRI	R _f	R _g	R ₉
2200K	0.74	94	91	96	65
2400K	0.87	94	92	97	56
2700K	0.97	94	92	100	57
3000K	1.00	93	91	99	54
3500K	1.01	95	91	99	62
4000K	1.04	95	91	99	68

Ordering Code

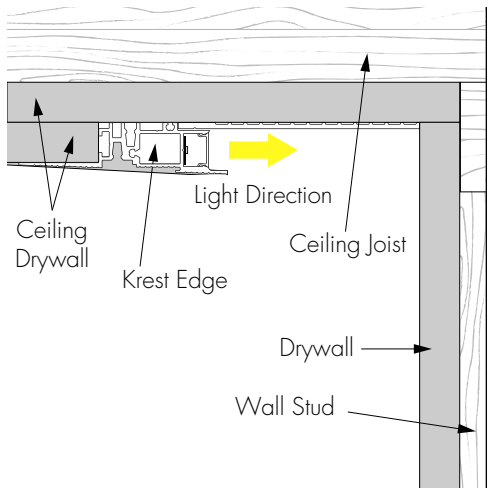
KREST	MODEL	REFLECTOR	SHAPE	LENGTH ¹	OUTPUT ²	CCT	LENS	MOUNTING	FINISH
KREST-Krest System	EDGE-Krest Edge	F3-Flat 3" Reflector	STR - Straight Run CMLX - Complex Shape UIC - U-Shape, Inside Corner UOC - U-Shape, Outside Corner UFIC - U-Shape, Flat Inside Corner UFOC - U-Shape, Flat Outside Corner LIC - L-Shape, Inside Corner LOC - L-Shape, Outside Corner LFIC - L-Shape, Flat Inside Corner LFOC - L-Shape, Flat Outside Corner RECIC - Rectangle, Inside Corner RECOC - Rectangle, Outside Corner RECFC - Rectangle, Flat Inside Corner RECFOC - Rectangle, Flat Outside Corner	Overall System Length in Inches (1/16) EX: 1249.0625 Leg 1 X Leg 2 X Leg 3 in Inches (1/16) EX: 115.0625 X 13.50 X 235.125 Leg 1 X Leg 2 in Inches (1/16) EX: 115.0625 X 13.50	VC72VLO - Very Low VC72LO - Low VC72SO - Standard VC72MO - Medium VC72HO - High VC72VHO - Very High HE64VLO - Very Low HE64LO - Low HE64SO - Standard HE64MO - Medium HE64HO - High HE64VHO - Very High	18K-1800K 22K-2200K 24K-2400K 27K-2700K 30K-3000K 35K-3500K 41K-4100K 22K-2200K 24K-2400K 27K-2700K 30K-3000K 35K-3500K 40K-4000K	F-Frosted Lens	GDS-Gypsum Drywall Surface	WH-White Powder Coat

1 - Length written in decimal format to the closest sixteenth of an inch.
 2 - Title 24 JAB achievable depending on Output, CCT, and Lens selections. See multiplier charts to calculate specific efficacies.

Applications

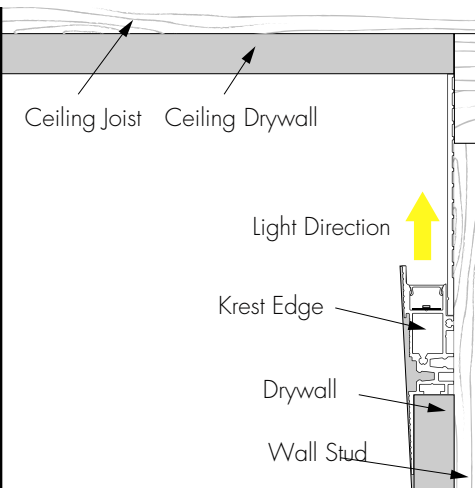
Ceiling-To-Wall Perimeter

Fixture mounted on 5/8" or thicker ceiling drywall. Suggested to use two layers of drywall.



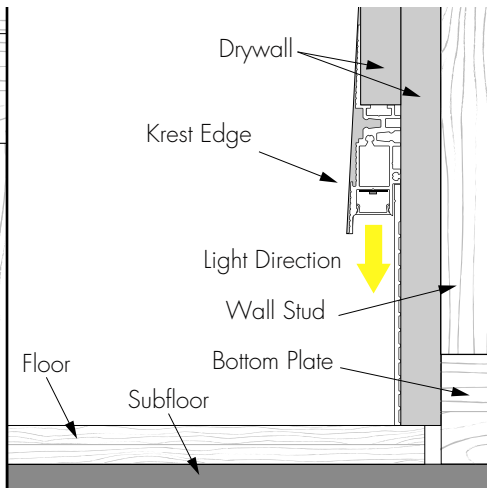
Straight Edge Reveal / Wall-To-Ceiling Perimeter

Fixture mounted on 5/8" or thicker drywall with reflector up to the ceiling.



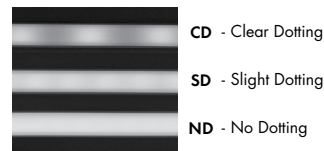
Toe-Kick lighting

Fixture mounted on 5/8" or thicker drywall with reflector touching the finished floor surface. Suggested to use two layers of drywall.



Light Transmission and Dotting

Output Options	Lens/Accessory			
	Frosted Lens			
Dimming Level	100%	50%	10%	1%
VC72VLO	ND	ND	ND	ND
VC72LO	ND	ND	ND	ND
VC72SO	ND	ND	ND	ND
VC72MO	ND	ND	ND	ND
VC72HO	ND	ND	ND	ND
VC72VHO	ND	ND	ND	ND
HE64VLO	ND	ND	ND	ND
HE64LO	ND	ND	ND	ND
HE64SO	ND	ND	ND	ND
HE64MO	ND	ND	ND	ND
HE64HO	ND	ND	ND	ND
HE64VHO	ND	ND	ND	ND
Transmission Percentage	100%			



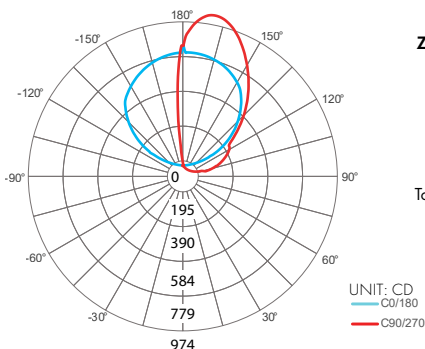
Use complete Dotting Chart Tool online for more dotting information



I'm also click-able

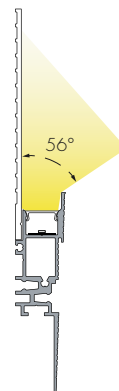
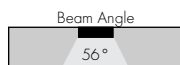
Photometry

KREST-EDGE-F3-STR-48-VC72VHO-30K-F
Krest Edge, Flat 3" Reflector, 4ft, VHO, 3000K, Frosted Lens



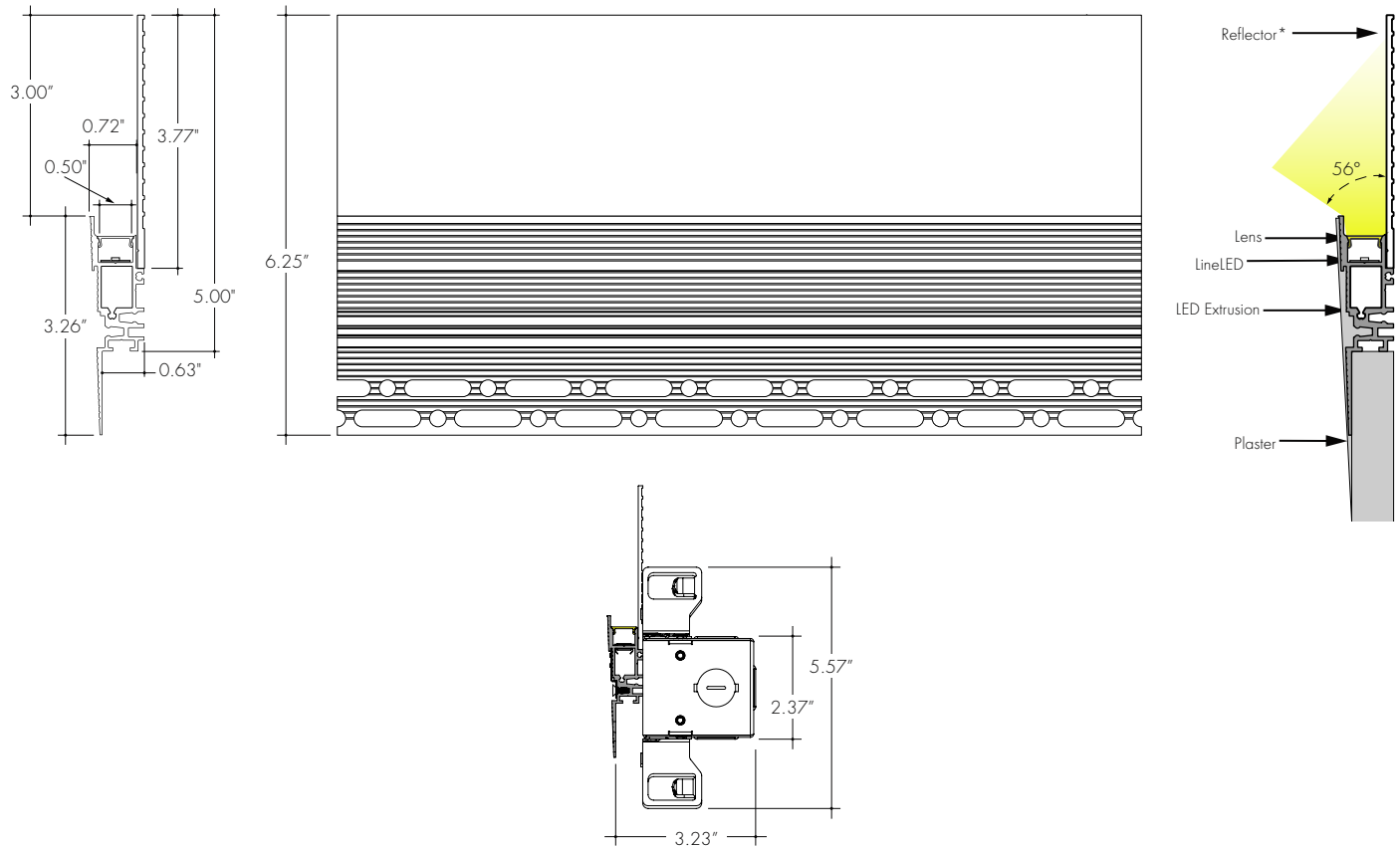
Zonal Lumen Summary 3000K

Zone	Lumen	% Fixture	
0-30	100	24.0%	
0-40	161	38.6%	
0-60	280	67.0%	
0-90	378	90.4%	
Total	0-180	418	100.0%



Photometry tests were run with the fixture in the Straight Edge Reveal / Wall-To-Ceiling Perimeter position

Product Dimensions



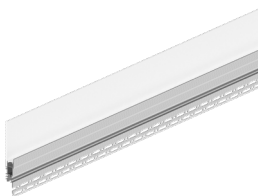
Krest Edge with Junction Box

*Krest LED Extrusion and Krest Reflectors are not mechanically joined and instead are two separate pieces.

Finish Options

- Finish options are only applied to the Reflector, LED extrusion will be in silver anodized finish.

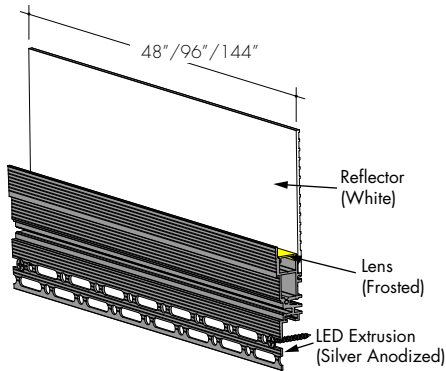
White
Powder Coat



White is a polar bright white and field paintable.

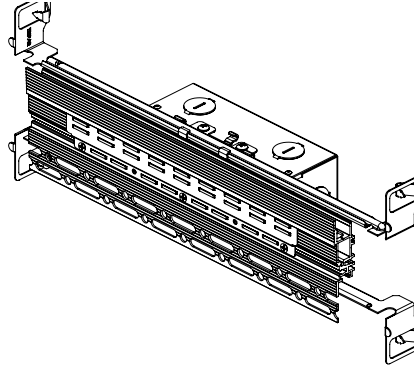
Krest System - What's Included

A - Krest Straight Extrusion



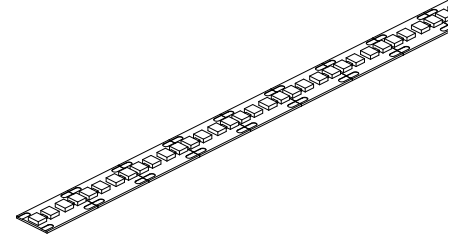
Included with Krest System, the Krest Straight extrusion is the main architectural housing for the majority of the system run. It includes the LED extrusion, lens, reflector, front joiner, and mounting screws. Provided in lengths of 48"/96"/144" long.

B - Krest Power Feed



Included with Krest System, the Krest Power Feed has specially machined slots for wire management. It includes the LED extrusion, junction box, back joiner, front joiner, front slot cover, and trap door covers. 12" long.
Note: Does NOT include the lens or reflector.

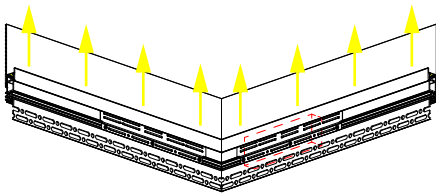
C - LineLED



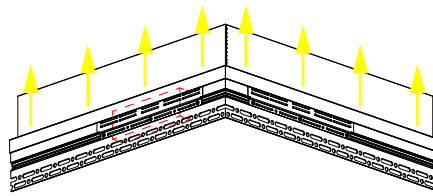
Included with Krest System, the LineLED will be split into runs based on system layout and max run length of the LED strip. By default, the LineLED will come with soldered leads (SL) on end and no connector (NC) on the other. Additional configurations available upon request.

D - Krest Corner Power Feed

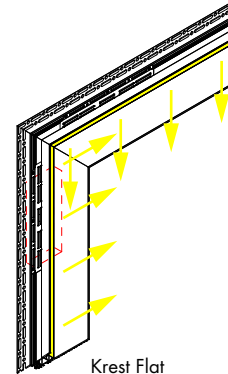
Based on ordered Run



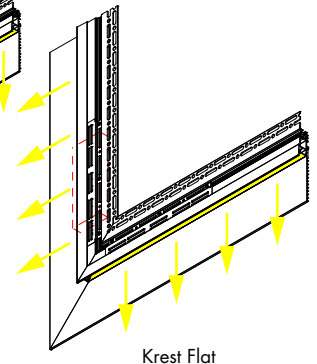
Krest Inside Corner



Krest Outside Corner



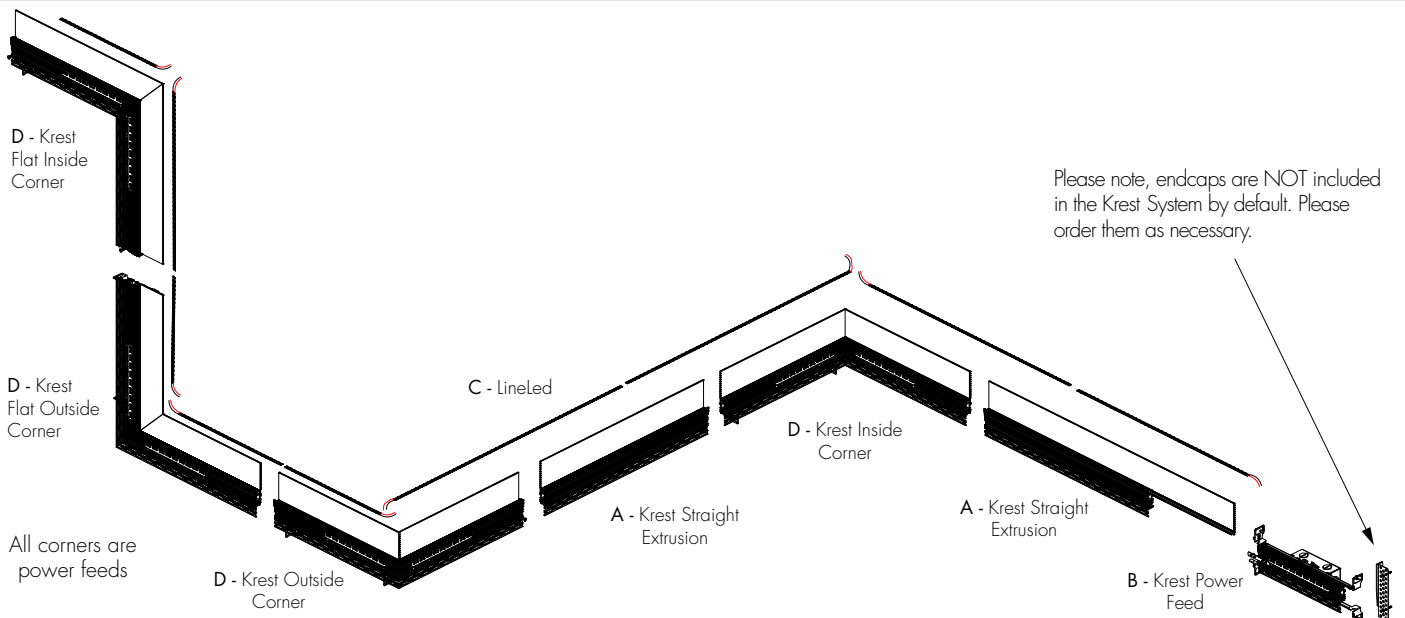
Krest Flat Outside Corner



Krest Flat Inside Corner

Included with Krest System, the Krest Edge Corner Power Feed has pre-welded corners and specially machined slots for wire management. Includes the welded LED extrusion, lens, reflector (only welded on flat corners), junction box, back joiner, front joiner, two front slot covers, and four trap door covers. Corners are nominally 18" x 18".
NOTE: ALL CORNERS CAN FEED POWER TO LED STRIPS IN BOTH DIRECTIONS. JUNCTION BOX SHOWN IN RED.

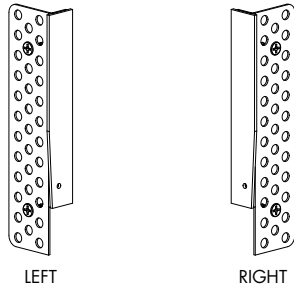
Krest System - Sample Layout



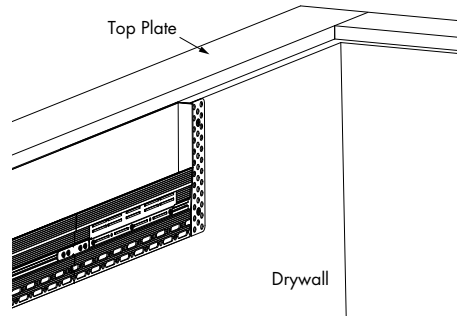
Accessories - Sold Separately

EC-KRESTC-EDGE-F3-WH-LR

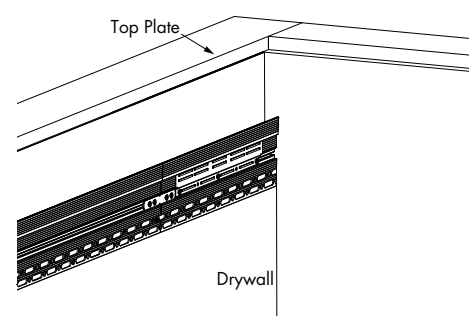
Krest endcap pair, compatible with Flat 3" Reflector Plate, White Finish



Includes both left and right endcap as well as mounting screws.
NOTE: Not included in Krest System - ordered separately only



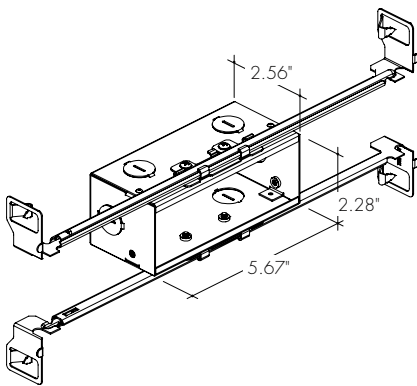
Use endcaps when ending system run in the middle of a wall.



Endcaps not needed when system run ends at adjacent perpendicular wall surface

JB-KRESTC

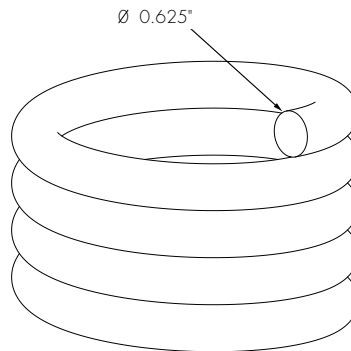
Krest Junction Box with Hanger Bars



For use when wanting more than one junction box on the Krest Edge Corner Channel
NOTE: Does not mechanically mate to Krest Extrusion

DUST-CVR-KRESTC

Krest Dust Cover Foam Roll



Included with Krest System, the foam dust cover is used during the installation process to protect the LED cavity during plastering.
NOTE: Sold per foot. Max continuous length is 100ft

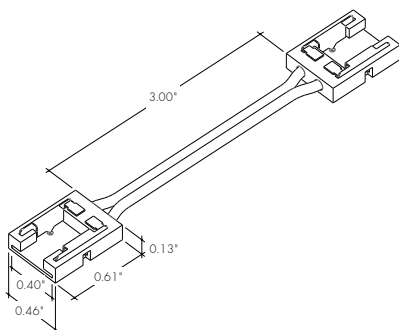
Minii Connectors

Minii connectors are easy, field-installable accessories that make joining LL strip simple! Their minimal width allows them to fit into extrusions, while their transparent frame eliminates dark spots.

Note: minii connectors are NOT included in Krest System by default. LED strip included in Krest System comes with soldered leads as standard. If requested, minii connectors could be ordered instead.

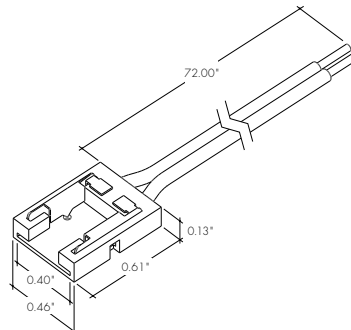
LL-PJC-10-03

Jumper minii connector with 3" wire for Static White LED strip



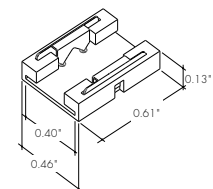
LL-PFC-10-72

Power feed minii connector with 72" wire for Static White LED strip



LL-BSC-10

Butt splice minii connector for Static White LED strip



Power Consumption

Please visit the link/QR code below to access the Luminii Power Consumption Chart tool on our website.

There you will be able to select your fixture, output, and desired power feed to get a full power consumption table.



I'm also click-able

Desired Nominal Length: _____

Desired Output: _____

Desired CCT: _____

Voltage Drop Calculator

The below chart assumes nominal voltage of 24 Volts and a Voltage Drop Allowance of 3% through the wire

Wattage [W]	Wire Length From Power Supply to Start of Run [ft]						
	12 AWG	14 AWG	16 AWG	18 AWG	20 AWG	22 AWG	24 AWG
5	1088.2	684.4	430.3	270.6	170.2	107.1	67.3
10	544.1	342.2	215.1	135.3	85.1	53.5	33.7
15	362.7	228.1	143.4	90.2	56.7	35.7	22.4
20	272.0	171.1	107.6	67.7	42.6	26.8	16.8
25	217.6	136.9	86.1	54.1	34.0	21.4	13.5
30	181.4	114.1	71.7	45.1	28.4	17.8	11.2
35	155.5	97.8	61.5	38.7	24.3	15.3	9.6
40	136.0	85.5	53.8	33.8	21.3	13.4	8.4
45	120.9	76.0	47.8	30.1	18.9	11.9	7.5
50	108.8	68.4	43.0	27.1	17.0	10.7	6.7
55	98.9	62.2	39.1	24.6	15.5	9.7	6.1
60	90.7	57.0	35.9	22.6	14.2	8.9	5.6
65	83.7	52.6	33.1	20.8	13.1	8.2	5.2
70	77.7	48.9	30.7	19.3	12.2	7.6	4.8
75	72.5	45.6	28.7	18.0	11.3	7.1	4.5
80	68.0	42.8	26.9	16.9	10.6	6.7	4.2
85	64.0	40.3	25.3	15.9	10.0	6.3	4.0
90	60.5	38.0	23.9	15.0	9.5	5.9	3.7
96	56.7	35.6	22.4	14.1	8.9	5.6	3.5

Power Supplies

See Power Supply instructions and spec sheet for wiring information. For a complete list of compatible dimmers, see Compatible Dimming Chart on the Resources page.

For use with Static White

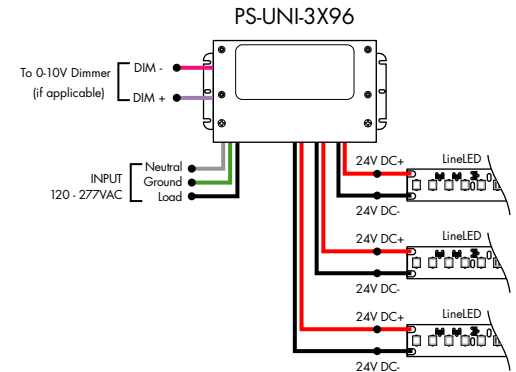
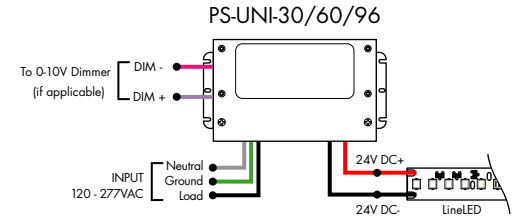
Ordering Code - Universal Dimming Power Supplies 0.1% 120VAC - 277VAC

MODEL	INPUT CONTROL	WATTAGE	OUTPUT
PS-Power Supply, 120-277VAC	UNI - 0-10V Dimming (0.1%), Phase Dimming (0.1%)	30 - 30 Watts 60 - 60 Watts 96 - 96 Watts 3x96 - 3x96 Watts	24 - 24 VDC

Compatibility: View a complete list of compatible dimmers on the PS-UNI product page.

0-10V - 0.1% dimming
MLV/ELV/TRIAC - 0.1% dimming, consult dimming compatibility chart

MODELS	PS-UNI-30W	PS-UNI-60W	PS-UNI-96W	PS-UNI-3X96W
Length	6.50"	7.40"	8.66"	11.85"
Width	3.73"	3.73"	3.73"	4.32"
Depth	1.61"	1.61"	1.61"	1.81"

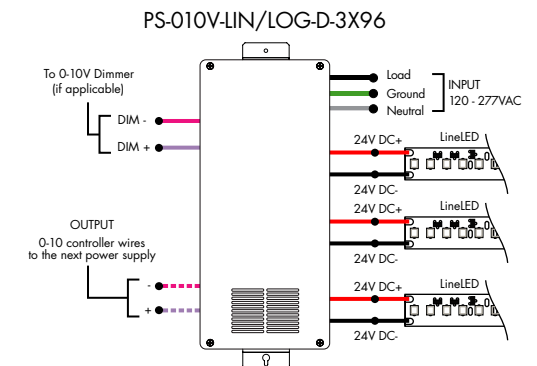
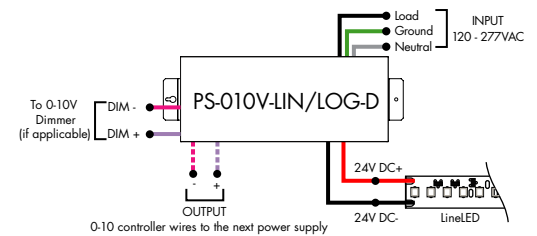


For use with Static White

Ordering Code - 0-10V Dimming Power Supplies 0.1% 120VAC - 277VAC

MODEL	INPUT CONTROL	ENVIRONMENT	WATTAGE	OUTPUT
PS-Power Supply, 120-277VAC	010V-LIN - 0-10V Dimming (0.1%), Linear 010V-LOG - 0-10V Dimming (0.1%), Logarithmic	D-Dry	96 - 96 Watts 3x96 - 3x96 Watts	24 - 24 VDC

MODELS	96W	3X96
Length	14.40"	15.00"
Width	5.20"	6.62"
Depth	2.60"	4.45"



Power Supplies

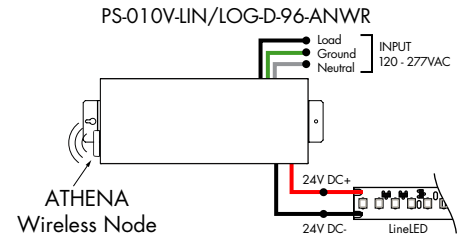
See Power Supply instructions and spec sheet for wiring information. For a complete list of compatible dimmers, see Compatible Dimming Chart on the Resources page.

For use with Static White

Ordering Code - Athena 0-10V LED Driver

MODEL	INPUT CONTROL	ENVIRONMENT	WATTAGE	OUTPUT	FEATURE
PS-Power Supply, 120-277VAC	010V-LIN-0-10V Dimming (0.1%), Linear	D-Dry	96-96 Watts	24-24 VDC	AWNR-Athena Wireless Node
	010V-LOG-0-10V Dimming (0.1%), Logarithmic				

MODELS	96W
Length	14.40"
Width	5.20"
Depth	2.60"

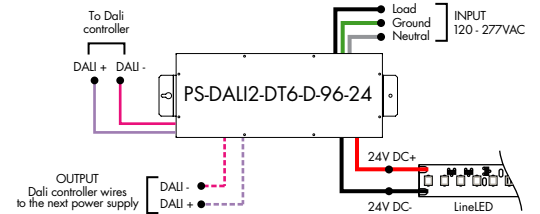


For use with Static White

Ordering Code - DALI 2 Dimming Power Supplies 0.1% 120VAC - 277VAC

MODEL	INPUT CONTROL	ENVIRONMENT	WATTAGE	OUTPUT
PS-Power Supply, 120-277VAC	DALI2-DT6-DALI2 DT6 (0.1%)	D-Dry	96-96 Watts	24-24 VDC

Model	96W
Length	14.40"
Width	5.20"
Depth	2.60"

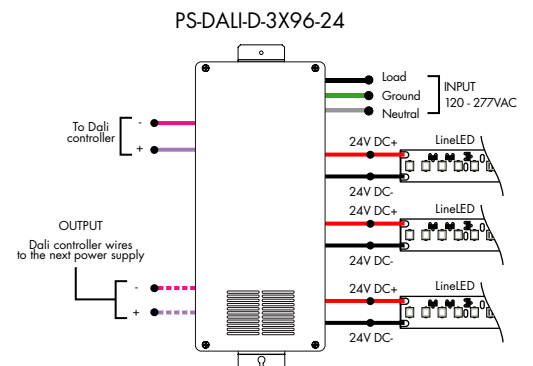
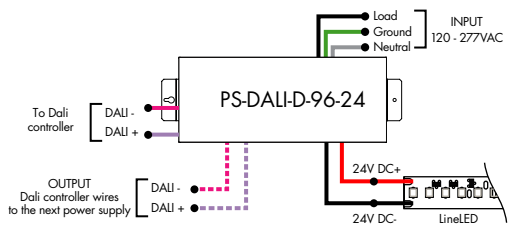


For use with Static White

Ordering Code - DALI Dimming Power Supplies 0.1% 120VAC - 277VAC

MODEL	INPUT CONTROL	ENVIRONMENT	WATTAGE	OUTPUT
PS-Power Supply, 120-277VAC	DALI-DALI (0.1%)	D-Dry	96-96 Watts 3x96-3x96 Watts	24-24 VDC

Model	96W	3X96
Length	14.40"	15.00"
Width	5.20"	6.62"
Depth	2.60"	4.56"



Power Supplies

See Power Supply instructions and spec sheet for wiring information. For a complete list of compatible dimmers, see Compatible Dimming Chart on the Resources page.

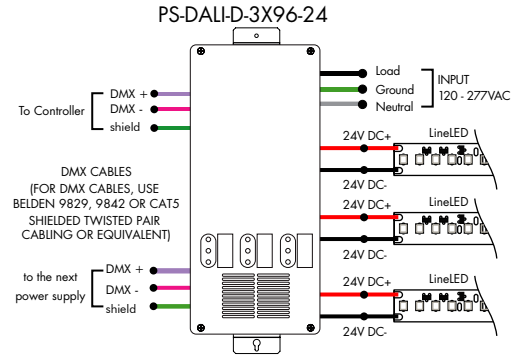
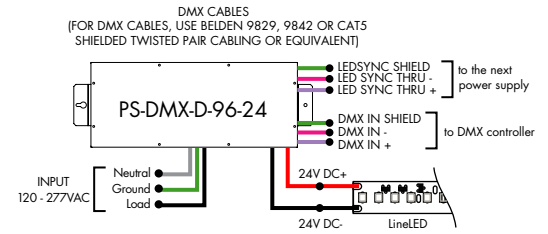
For use with Static White

Ordering Code - DMX Dimming Power Supplies 0.1% 120VAC - 277VAC

MODEL	INPUT CONTROL	ENVIRONMENT	WATTAGE	OUTPUT
PS-Power Supply, 120-277VAC	DMX-DMX (0.1%)	D-Dry	96-96 Watts 3x96-3x96 Watts	24-24 VDC

MODELS	96W	3X96
Length	14.40"	15.00"
Width	5.20"	6.62"
Depth	2.60"	4.56"

ZONAL CONTROL POWER SUPPLIES.
CONTROL MULTIPLE TAPES/ZONES USING DMX CHANNELS.

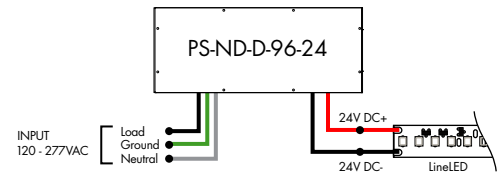


For use with Static White

Ordering Code - Non-Dimming Power Supply, 120VAC - 277VAC

MODEL	INPUT CONTROL	ENVIRONMENT	WATTAGE	OUTPUT
PS-Power Supply, 120-277VAC	ND-Non Dimming	D-Dry	96-96 Watts	24-24 VDC

MODELS	96W
Length	14.40"
Width	5.20"
Depth	2.60"

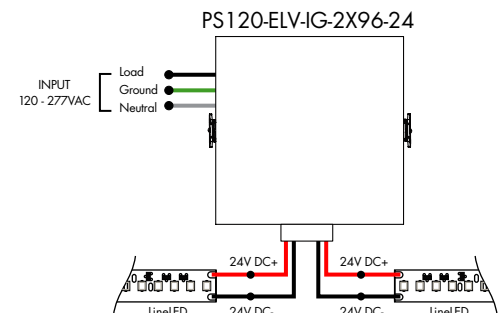


For use with Static White

Ordering Code - In-Ground Power Supplies

MODEL	INPUT CONTROL	ENVIRONMENT	WATTAGE	OUTPUT
PS120-Power Supply, 120VAC PS240-Power Supply, 240VAC PS277-Power Supply, 277VAC	ELV-ELV Dimming (1%)	IG-In Ground	2X96-2X96 Watts	24-24 VDC

MODELS	2X96W
Length	8.40"
Width	8.30"
Depth	8.10"



Power Supplies

See Power Supply instructions and spec sheet for wiring information. For a complete list of compatible dimmers, see Compatible Dimming Chart on the Resources page.



Luminii is a Lutron OEM Advantage Partner

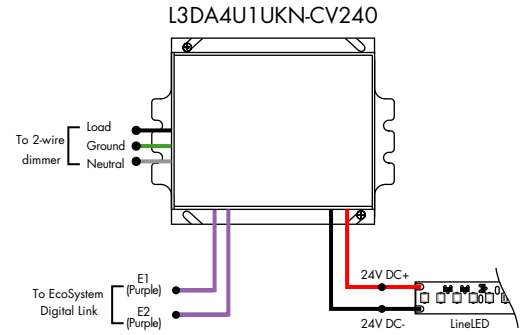
Lutron Power Supplies 1%

MODEL

L3DA4U1UKL-CV240

HiLume™ 1% EcoSystem Voltage LED driver 40W max

MODELS	L3DA4U1UKL-CV240
Length	4.98"
Width	4.00"
Depth	2.62"



Luminii is a Lutron OEM Advantage Partner

Lutron Power Supplies 0.1%

MODEL

L3D0-96W24V-U

HiLume™ 0.1% EcoSystem Voltage LED Driver with Soft-On, Fade-to-Black™ 96W max

MODELS	L3D0
Length	10.50"
Width	5.50"
Depth	2.00"

