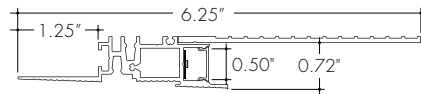


**Features**

- Krest Edge is a perimeter straight edge reveal that can be used in wall-to-ceiling perimeter lighting, ceiling-to-wall perimeter lighting, or toe-kick lighting
- Class 2, LED strip listed for damp locations
- Krest System is a turn-key solution for complex layouts and runs - coming with pre-welded corners and specific power feed extrusions for installation ease.
- For use with 5/8" or thicker drywall
- Shipped as field configurable strip and channel
- Indirect, dot free even illumination
- Warm Dim follows the incandescent dimming curve and is compatible with MLV, ELV, and Incandescent dimmers.
- Tunable White allows individual control of CCT and output, can be paired with Vintage Dim power supply for warm dim effect
- RGB offers balanced output across the color gamut and a true white with RGBW
- Smart Pixel allows for infinite color combinations with cascading and chasing effects
- Average Life (L70): 50,000hrs
- 7 year warranty

- 1 - Straight Edge Reveal / Wall-To-Ceiling Perimeter  
 2 - Ceiling-To-Wall Perimeter  
 3 - Toe-Kick lighting



**Technical Information**

| TYPE   | Warm Dim                                      |           |  | Tunable White                                 |   |  | RGB   |  | RGBW  |  | Pixel   |   |
|--|---|-----------|--|---|---|--|---|--|---|--|---|---|
|  | WD51 (18K-30K)                                |           |  | TW51 (27K-65K)                                |   |  | RGB42   |  | RGBW36  |  | RGBX18  | RGBWX18                                       |
| OUTPUT OPTIONS   | SO  | HO        | VHO  | SO  | HO  | VHO  | SO  | HO   | SO  | HO   | SO  | SO  |
| Lumens Output<br><small>[All On w/ Clear Lens]</small>         | 85 lm/ft                                      | 178 lm/ft | 253 lm/ft                                    | 188 lm/ft                                     | 234 lm/ft                                     | 316 lm/ft                                    | 95 lm/ft                                      | 139 lm/ft                                    | 95 lm/ft                                      | 158 lm/ft                                    | 76 lm/ft                                      | 115 lm/ft                                     |
| Average Power Consumption<br><small>(for a 4" section)</small> | 2.3 W/ ft                                     | 4.7 W/ ft | 6.9 W/ ft                                    | 4.4 W/ ft                                     | 5.4 W/ ft                                     | 7.6 W/ ft                                    | 4.5 W/ft                                      | 8.3 W/ft                                     | 4 W/ft  | 7.6 W/ft                                     | 4.5 W/ft                                      | 5.7 W/ft                                      |
| Efficacy   | 37 lm/W                                       | 38 lm/W   | 37 lm/W                                      | 43 lm/W                                       | 43 lm/W                                       | 42 lm/W                                      | 21 lm/W                                       | 17 lm/W                                      | 24 lm/W                                       | 21 lm/W                                      | 17 lm/W                                       | 20 lm/W                                       |
| Max Run Length<br><small>(in series)</small>                   | 37 ft   | 22 ft     | 15 ft  | 28.9 ft                                       | 22 ft   | 15 ft  | 28ft  | 14ft   | 26ft  | 13ft   | 30ft  | 20ft  |
| Ambient Operating Temperature Range*                           | -4°F - 122°F<br><small>(-20°C - 50°C)</small> |           | -4°F - 95°F<br><small>(-20°C - 35°C)</small> | -4°F - 122°F<br><small>(-20°C - 50°C)</small> | -4°F - 113°F<br><small>(-20°C - 45°C)</small> | -4°F - 86°F<br><small>(-20°C - 30°C)</small> | -4°F - 122°F<br><small>(-20°C - 50°C)</small> | -4°F - 86°F<br><small>(-20°C - 30°C)</small> | -4°F - 122°F<br><small>(-20°C - 50°C)</small> | -4°F - 86°F<br><small>(-20°C - 30°C)</small> | -4°F - 122°F<br><small>(-20°C - 50°C)</small> | -4°F - 104°F<br><small>(-20°C - 40°C)</small> |
| Control/Dimming Protocol                                       | 0-10V, DALI, DALI2, MLV (Triac), ELV, Inc.    |           |  | 0-10V, DMX, DALI-DT8                          |   |  | DMX, DALI-DT8                                 |  | DMX, DALI-DT8                                 |  | SPI Protocol UCS 2903                         | SPI Protocol UCS 2904                         |

\*Ambient Operating Temperature Range to maintain L70 of 50k+ hours in normal mounting conditions for the fixture. Exceeding Ambient Operating Temperature Range may result in decreased life/output. Consult Technical Support for specific inquiries.

**Warm Dim (WD51)**

| CCT    | Multiplier<br><small>(ref. - 18K30K)</small> | TM-30 |                |                |                |
|--------|--|-------|----------------|----------------|----------------|
|        |  | CRI   | R <sub>f</sub> | R <sub>g</sub> | R <sub>9</sub> |
| 18K24K | 1800K  | 92    | 85             | 91             | 86             |
|        | 2400K  | 96    | 95             | 104            | 97             |
| 18K27K | 1800K  | 92    | 85             | 91             | 86             |
|        | 2700K  | 96    | 95             | 104            | 96             |
| 18K30K | 1800K  | 92    | 85             | 91             | 86             |
|        | 3000K  | 95    | 95             | 104            | 90             |

**Tunable White (TW51)**

| CCT    | Multiplier<br><small>(ref. - 27K65K)</small> | TM-30 |                |                |                |    |
|--------|--|-------|----------------|----------------|----------------|----|
|        |  | CRI   | R <sub>f</sub> | R <sub>g</sub> | R <sub>9</sub> |    |
| 18K30K | 1800K  | 0.40  | 92             | 85             | 91             | 86 |
|        | 2400K  | 1.00  | 95             | 93             | 106            | 98 |
|        | 3000K  | 0.62  | 97             | 94             | 104            | 95 |
| 27K65K | 2700K  | 0.45  | 97             | 95             | 103            | 93 |
|        | 4200K  | 1.00  | 96             | 93             | 105            | 95 |
|        | 6500K  | 0.58  | 91             | 90             | 101            | 63 |

**RGBW (3000K)**

| Tape    | TM-30 |                |                |                |
|---------|-------|----------------|----------------|----------------|
|         | CRI   | R <sub>f</sub> | R <sub>g</sub> | R <sub>9</sub> |
| RGBW36  | 95    | 93             | 106            | 84             |
| RGBWX18 | 93    | 91             | 99             | 64             |

**Dominant Wavelength**

| Color | RGB42/RGBW36 | RGBX18/RGBWX18 |
|-------|--------------|----------------|
| Red   | 620nm        | 621nm          |
| Green | 525nm        | 519nm          |
| Blue  | 467nm        | 465nm          |

**Ordering Code**

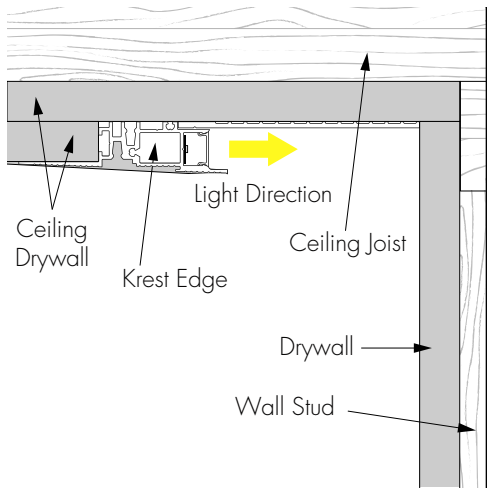
| KREST              | MODEL           | REFLECTOR            | SHAPE  | LENGTH <sup>1</sup>   | OUTPUT <sup>2</sup>  | CCT  | LENS             | MOUNTING                     | FINISH                 |
|--------------------|-----------------|----------------------|--|---|--|--|------------------|------------------------------|------------------------|
| KREST-Krest System | EDGE-Krest Edge | F3-Flat 3" Reflector | STR - Straight Run<br>CMLX - Complex Shape<br>UIC - U-Shape, Inside Corner<br>UOC - U-Shape, Outside Corner<br>UFIC - U-Shape, Flat Inside Corner<br>UFOC - U-Shape, Flat Outside Corner   | Overall System Length in Inches (1/16)<br>EX: <u>1249.0625</u>                  | WD51SO - Standard<br>WD51HO - High<br>WD51VHO - Very High<br>TW51SO - Standard<br>TW51HO - High<br>TW51VHO - Very High | 18K24K - 1800K - 2400K<br>18K27K - 1800K - 2700K<br>18K30K - 1800K - 3000K<br>18K30K - 1800K - 3000K<br>27K65K - 2700K - 6500K | F - Frosted Lens | GDS - Gypsum Drywall Surface | WH - White Powder Coat |
|                    |                 |                      | LIC - L-Shape, Inside Corner<br>LOC - L-Shape, Outside Corner<br>LFIC - L-Shape, Flat Inside Corner<br>UFOC - L-Shape, Flat Outside Corner<br>RECIC - Rectangle, Inside Corner<br>RECO - Rectangle, Outside Corner<br>RECFC - Rectangle, Flat Inside Corner<br>RECFOC - Rectangle, Flat Outside Corner | Leg 1 X Leg 2 X Leg 3 in Inches (1/16)<br>EX: <u>115.0625 X 13.50 X 235.125</u> | RGBW36SO - Standard<br>RGBW36HO - High<br>RGB42SO - Standard<br>RGB42HO - High   | CLR - Color  |                  |                              |                        |
|                    |                 |                      |  | Leg 1 X Leg 2 in Inches (1/16)<br>EX: <u>115.0625 X 13.50</u>                   | RGBWX18SO - Standard<br>RGBX18SO - Standard  | PXSPI - Smart Pixel Control  |                  |                              |                        |

1 - Length written in decimal format to the closest sixteenth of an inch.  
 2 - Title 24 JAB8 achievable depending on Output, CCT, and Lens selections. See multiplier charts to calculate specific efficacies.

**Applications**

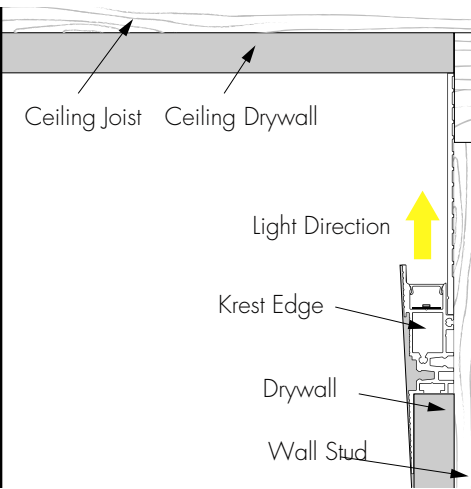
**Ceiling-To-Wall Perimeter**

Fixture mounted on 5/8" or thicker ceiling drywall. Suggested to use two layers of drywall.



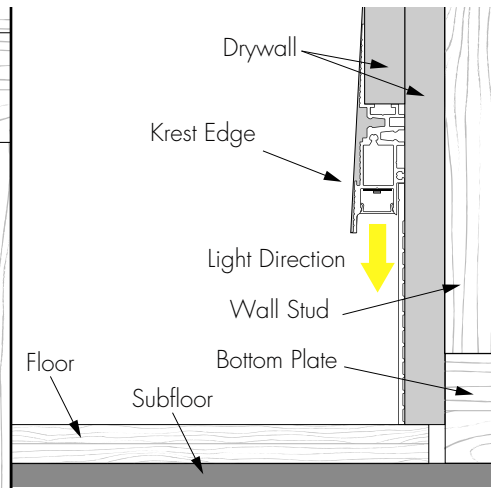
**Straight Edge Reveal / Wall-To-Ceiling Perimeter**

Fixture mounted on 5/8" or thicker drywall with reflector up to the ceiling.



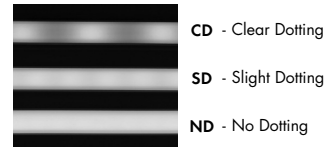
**Toe-Kick lighting**

Fixture mounted on 5/8" or thicker drywall with reflector touching the finished floor surface. Suggested to use two layers of drywall.



**Light Transmission and Dotting**

| Output Options                 | Lens/Accessory |     |     |    |
|--------------------------------|----------------|-----|-----|----|
|                                | Clear Lens     |     |     |    |
| Dimming Level                  | 100%           | 50% | 10% | 1% |
| WD51SO                         | ND             | ND  | ND  | ND |
| WD51HO                         | ND             | ND  | ND  | ND |
| WD51VHO                        | ND             | ND  | ND  | ND |
| TW51SO (All On)                | ND             | ND  | ND  | ND |
| TW51HO (All On)                | ND             | ND  | ND  | ND |
| TW51VHO (All On)               | ND             | ND  | ND  | ND |
| TW51SO (1 CH)                  | ND             | ND  | ND  | ND |
| TW51HO (1 CH)                  | ND             | ND  | ND  | ND |
| TW51VHO (1 CH)                 | ND             | ND  | ND  | ND |
| RGBW36SO                       | ND             | ND  | ND  | ND |
| RGBW36HO                       | ND             | ND  | ND  | ND |
| RGB42SO                        | ND             | ND  | ND  | ND |
| RGB42HO                        | ND             | ND  | ND  | ND |
| RGBWX18SO                      | CD             | CD  | CD  | CD |
| RGBX18SO                       | CD             | CD  | CD  | CD |
| <b>Transmission Percentage</b> | 100%           |     |     |    |

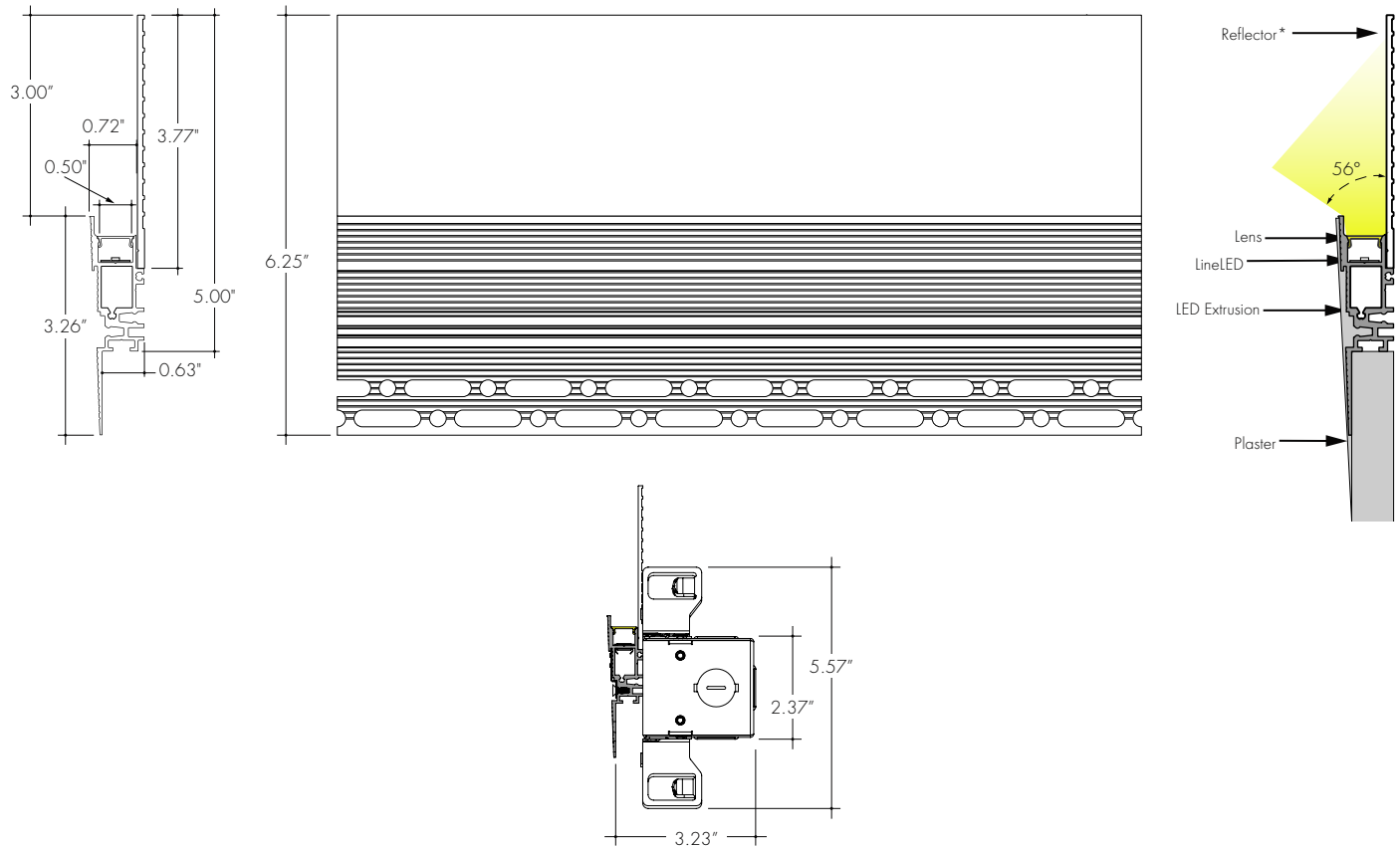


Use complete Dotting Chart Tool online for more dotting information



I'm also click-able

**Product Dimensions**



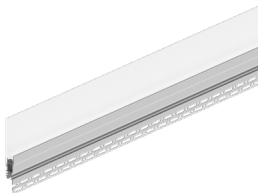
Krest Edge with Junction Box

\*Krest LED Extrusion and Krest Reflectors are not mechanically joined and instead are two separate pieces.

**Finish Options**

- Finish options are only applied to the Reflector, LED extrusion will be in silver anodized finish.

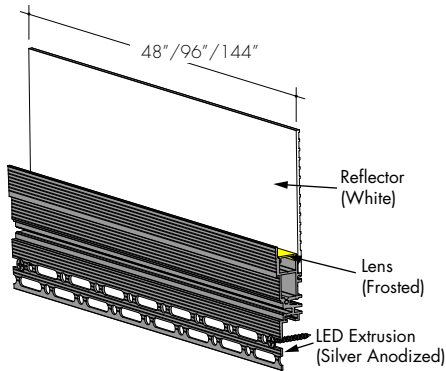
**White**  
Powder Coat



White is a polar bright white and field paintable.

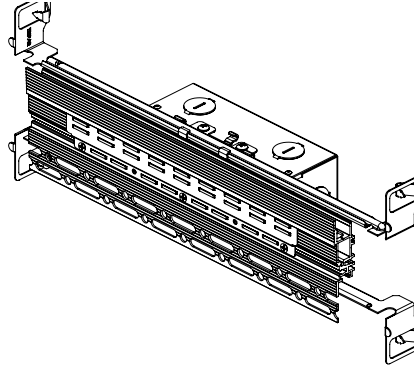
### Krest System - What's Included

#### A - Krest Straight Extrusion



Included with Krest System, the Krest Straight extrusion is the main architectural housing for the majority of the system run. It includes the LED extrusion, lens, reflector, front joiner, and mounting screws. Provided in lengths of 48\"/>

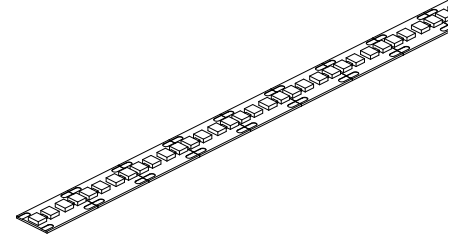
#### B - Krest Power Feed



Included with Krest System, the Krest Power Feed has specially machined slots for wire management. It includes the LED extrusion, junction box, back joiner, front joiner, front slot cover, and trap door covers. 12\"/>

**Note: Does NOT include the lens or reflector.**

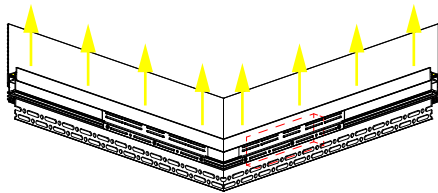
#### C - LineLED



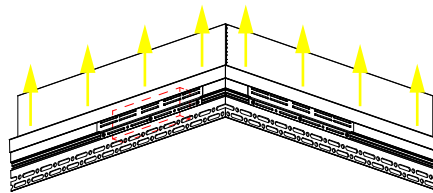
Included with Krest System, the LineLED will be split into runs based on system layout and max run length of the LED strip. By default, the LineLED will come with soldered leads (SL) on end and no connector (NC) on the other. Additional configurations available upon request.

#### D - Krest Corner Power Feed

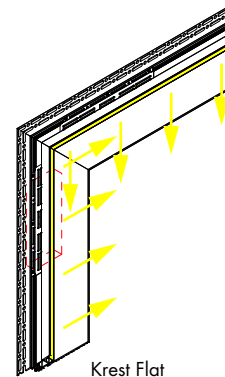
Based on ordered Run



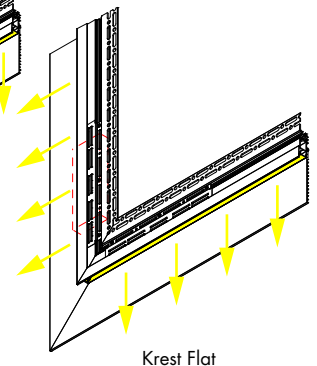
Krest Inside Corner



Krest Outside Corner



Krest Flat Outside Corner

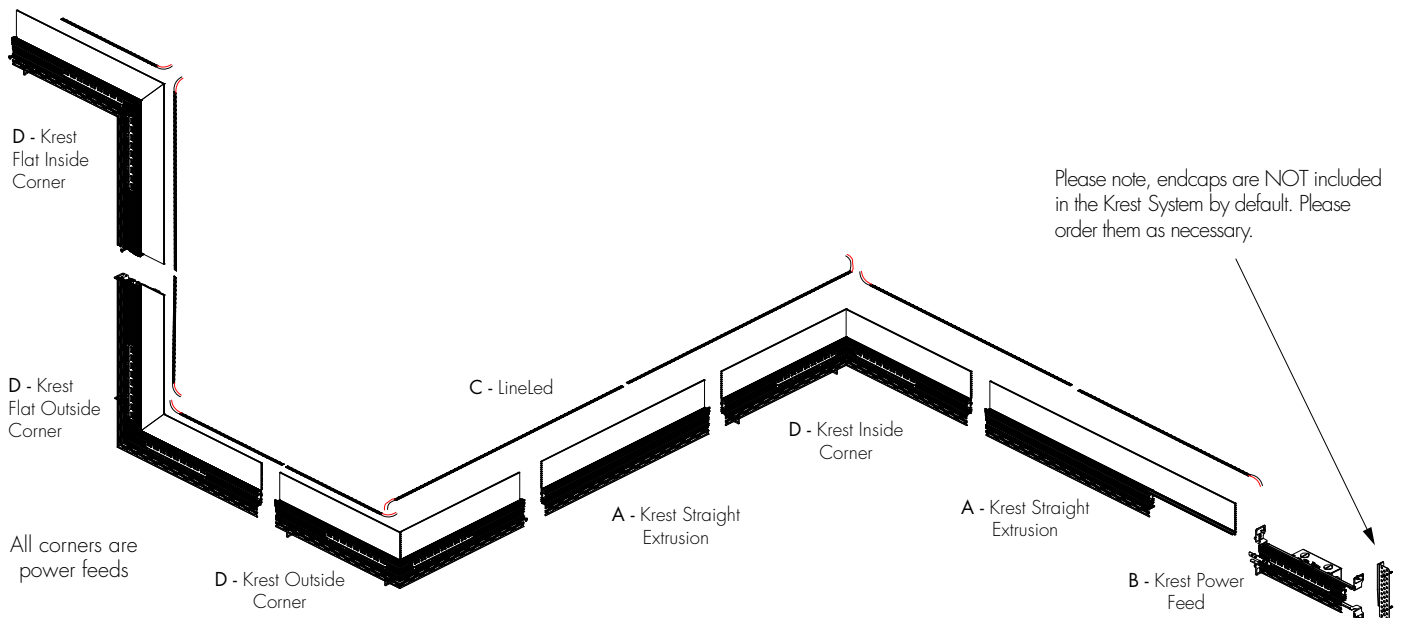


Krest Flat Inside Corner

Included with Krest System, the Krest Edge Corner Power Feed has pre-welded corners and specially machined slots for wire management. Includes the welded LED extrusion, lens, reflector (only welded on flat corners), junction box, back joiner, front joiner, two front slot covers, and four trap door covers. Corners are nominally 18\"/>

**NOTE: ALL CORNERS CAN FEED POWER TO LED STRIPS IN BOTH DIRECTIONS. JUNCTION BOX SHOWN IN RED.**

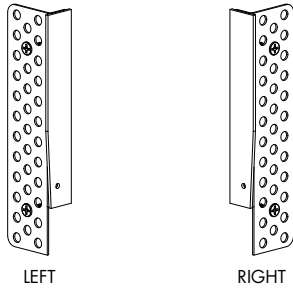
### Krest System - Sample Layout



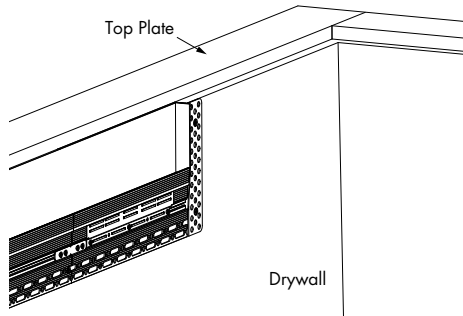
**Accessories - Sold Separately**

**EC-KRESTC-EDGE-F3-WH-LR**

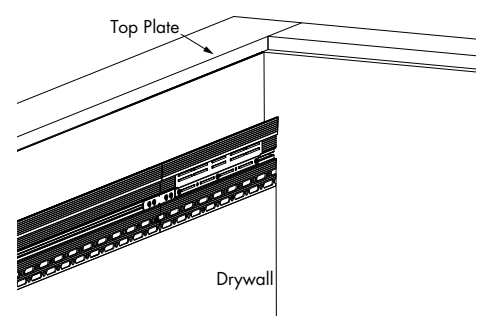
Krest endcap pair, compatible with Flat 3" Reflector Plate, White Finish



Includes both left and right endcap as well as mounting screws.  
**NOTE: Not included in Krest System - ordered separately only**



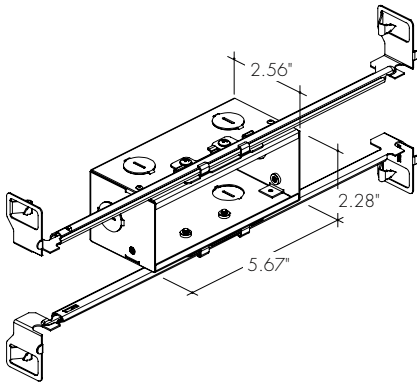
Use endcaps when ending system run in the middle of a wall.



Endcaps not needed when system run ends at adjacent perpendicular wall surface

**JB-KRESTC**

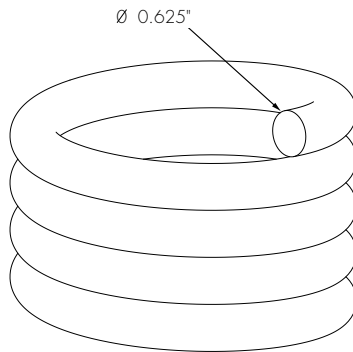
Krest Junction Box with Hanger Bars



For use when wanting more than one junction box on the Krest Edge Corner Channel  
**NOTE: Does not mechanically mate to Krest Extrusion**

**DUST-CVR-KRESTC**

Krest Dust Cover Foam Roll



Included with Krest System, the foam dust cover is used during the installation process to protect the LED cavity during plastering.  
**NOTE: Sold per foot. Max continuous length is 100ft**

**Power Consumption**

Please visit the link/QR code below to access the Luminii Power Consumption Chart tool on our website.

There you will be able to select your fixture, output, and desired power feed to get a full power consumption table.



I'm also click-able

Desired Nominal Length: \_\_\_\_\_

Desired Output: \_\_\_\_\_

Desired CCT: \_\_\_\_\_

**Voltage Drop Calculator**

The below chart assumes nominal voltage of 24 Volts and a Voltage Drop Allowance of 3% through the wire

| Wattage [W] | Wire Length From Power Supply to Start of Run [ft] |        |        |        |        |        |        |
|-------------|--|--------|--------|--------|--------|--------|--------|
|             | 12 AWG   | 14 AWG | 16 AWG | 18 AWG | 20 AWG | 22 AWG | 24 AWG |
| 5           | 1088.2   | 684.4  | 430.3  | 270.6  | 170.2  | 107.1  | 67.3   |
| 10          | 544.1  | 342.2  | 215.1  | 135.3  | 85.1   | 53.5   | 33.7   |
| 15          | 362.7  | 228.1  | 143.4  | 90.2   | 56.7   | 35.7   | 22.4   |
| 20          | 272.0  | 171.1  | 107.6  | 67.7   | 42.6   | 26.8   | 16.8   |
| 25          | 217.6  | 136.9  | 86.1   | 54.1   | 34.0   | 21.4   | 13.5   |
| 30          | 181.4  | 114.1  | 71.7   | 45.1   | 28.4   | 17.8   | 11.2   |
| 35          | 155.5  | 97.8   | 61.5   | 38.7   | 24.3   | 15.3   | 9.6    |
| 40          | 136.0  | 85.5   | 53.8   | 33.8   | 21.3   | 13.4   | 8.4    |
| 45          | 120.9  | 76.0   | 47.8   | 30.1   | 18.9   | 11.9   | 7.5    |
| 50          | 108.8  | 68.4   | 43.0   | 27.1   | 17.0   | 10.7   | 6.7    |
| 55          | 98.9   | 62.2   | 39.1   | 24.6   | 15.5   | 9.7    | 6.1    |
| 60          | 90.7   | 57.0   | 35.9   | 22.6   | 14.2   | 8.9    | 5.6    |
| 65          | 83.7   | 52.6   | 33.1   | 20.8   | 13.1   | 8.2    | 5.2    |
| 70          | 77.7   | 48.9   | 30.7   | 19.3   | 12.2   | 7.6    | 4.8    |
| 75          | 72.5   | 45.6   | 28.7   | 18.0   | 11.3   | 7.1    | 4.5    |
| 80          | 68.0   | 42.8   | 26.9   | 16.9   | 10.6   | 6.7    | 4.2    |
| 85          | 64.0   | 40.3   | 25.3   | 15.9   | 10.0   | 6.3    | 4.0    |
| 90          | 60.5   | 38.0   | 23.9   | 15.0   | 9.5    | 5.9    | 3.7    |
| 96          | 56.7   | 35.6   | 22.4   | 14.1   | 8.9    | 5.6    | 3.5    |

## Power Supplies

See fixture and power supply instructions & spec sheet for wiring information. Dimming possible in select models - view Luminii website for list of compatible dimmers.

### For use with Warm Dim

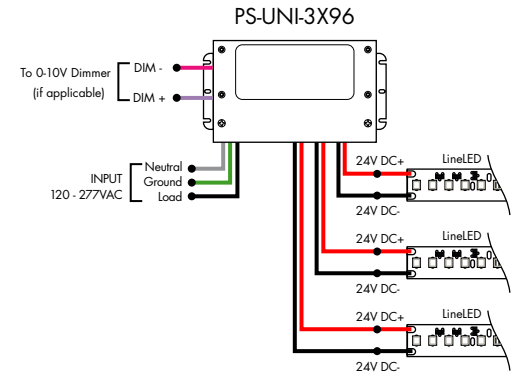
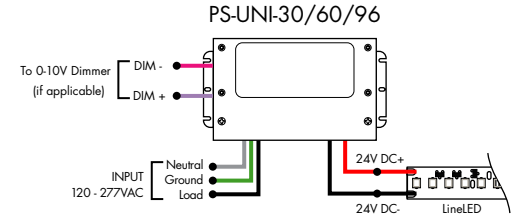
#### Ordering Code - Universal Dimming Power Supplies 0.1% 120VAC - 277VAC

| MODEL                       | INPUT CONTROL                                    | WATTAGE  | OUTPUT      |
|-----------------------------|--|--|-------------|
| PS-Power Supply, 120-277VAC | UNI - 0-10V Dimming (0.1%), Phase Dimming (0.1%) | 30 - 30 Watts<br>60 - 60 Watts<br>96 - 96 Watts<br>3x96 - 3x96 Watts | 24 - 24 VDC |

Compatibility: View a complete list of compatible dimmers on the PS-UNI product page.

0-10V - 0.1% dimming  
MLV/ELV/TRIAC - 0.1% dimming, consult dimming compatibility chart

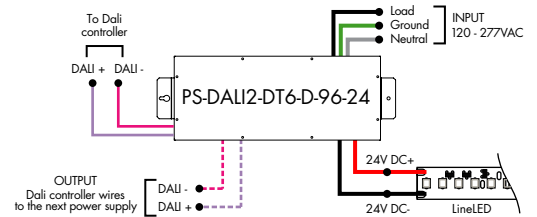
| MODELS | PS-UNI-30W | PS-UNI-60W | PS-UNI-96W | PS-UNI-3X96W |
|--------|------------|------------|------------|--------------|
| Length | 6.50"      | 7.40"      | 8.66"      | 11.85"       |
| Width  | 3.73"      | 3.73"      | 3.73"      | 4.32"        |
| Depth  | 1.61"      | 1.61"      | 1.61"      | 1.81"        |



#### Ordering Code - DALI 2 Dimming Power Supplies 0.1% 120VAC - 277VAC

| MODEL                       | INPUT CONTROL                | ENVIRONMENT | WATTAGE       | OUTPUT      |
|-----------------------------|------------------------------|-------------|---------------|-------------|
| PS-Power Supply, 120-277VAC | DALI2-DT6 - DALI2 DT6 (0.1%) | D - Dry     | 96 - 96 Watts | 24 - 24 VDC |

|               |            |
|---------------|------------|
| <b>Model</b>  | <b>96W</b> |
| <b>Length</b> | 14.40"     |
| <b>Width</b>  | 5.20"      |
| <b>Depth</b>  | 2.60"      |



## Power Supplies

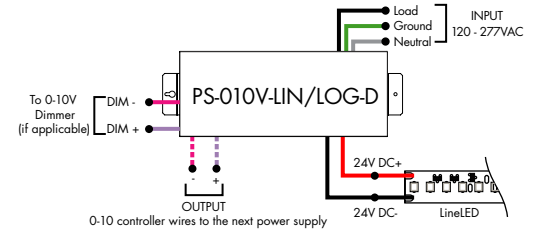
See fixture and power supply instructions & spec sheet for wiring information. Dimming possible in select models - view Luminii website for list of compatible dimmers.

### For use with Warm Dim

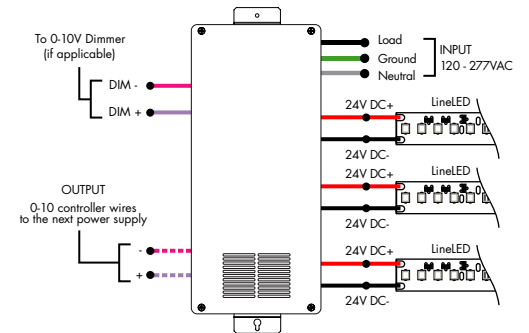
#### Ordering Code - 0-10V Dimming Power Supplies 0.1% 120VAC - 277VAC

| MODEL                         | INPUT CONTROL   | ENVIRONMENT | WATTAGE                        | OUTPUT    |
|-------------------------------|---|-------------|--------------------------------|-----------|
| PS - Power Supply, 120-277VAC | 010V-LIN - 0-10V Dimming (0.1%), Linear<br>010V-LOG - 0-10V Dimming (0.1%), Logarithmic | D - Dry     | 96-96 Watts<br>3x96-3x96 Watts | 24-24 VDC |

| MODELS        | 96W    | 3X96   |
|---------------|--------|--------|
| <b>Length</b> | 14.40" | 15.00" |
| <b>Width</b>  | 5.20"  | 6.62"  |
| <b>Depth</b>  | 2.60"  | 4.45"  |



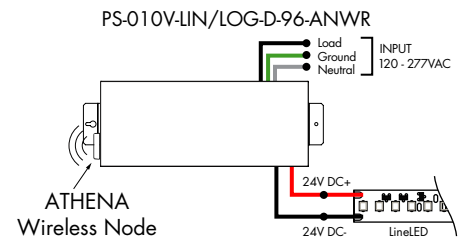
PS-010V-LIN/LOG-D-3X96



#### Ordering Code - Athena 0-10V LED Driver

| MODEL                         | INPUT CONTROL   | ENVIRONMENT | WATTAGE     | OUTPUT    | FEATURE                     |
|-------------------------------|---|-------------|-------------|-----------|-----------------------------|
| PS - Power Supply, 120-277VAC | 010V-LIN - 0-10V Dimming (0.1%), Linear<br>010V-LOG - 0-10V Dimming (0.1%), Logarithmic | D - Dry     | 96-96 Watts | 24-24 VDC | AWNR - Athena Wireless Node |

| MODELS        | 96W    |
|---------------|--------|
| <b>Length</b> | 14.40" |
| <b>Width</b>  | 5.20"  |
| <b>Depth</b>  | 2.60"  |



## Power Supplies

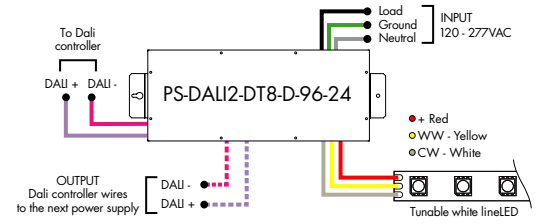
See fixture and power supply instructions & spec sheet for wiring information. Dimming possible in select models - view Luminii website for list of compatible dimmers.

### For use with Tunable White

#### Ordering Code - DALI2 Dimming Power Supplies 0.1% 120VAC - 277VAC

| MODEL                         | INPUT CONTROL                             | ENVIRONMENT | WATTAGE       | OUTPUT      |
|-------------------------------|---|-------------|---------------|-------------|
| PS - Power Supply, 120-277VAC | DALI2-DT8 - DALI DT8 Tunable White (0.1%) | D - Dry     | 96 - 96 Watts | 24 - 24 VDC |

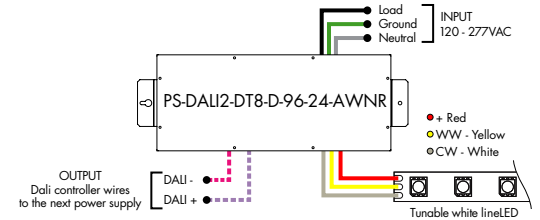
| MODELS | 96W    |
|--------|--------|
| Length | 14.40" |
| Width  | 5.20"  |
| Depth  | 2.60"  |



#### Ordering Code - Athena DALI2 Dimming Power Supplies 0.1% 120VAC - 277VAC

| MODEL                         | INPUT CONTROL                             | ENVIRONMENT | WATTAGE       | OUTPUT      | FEATURE      |
|-------------------------------|---|-------------|---------------|-------------|--------------|
| PS - Power Supply, 120-277VAC | DALI2-DT8 - DALI DT8 Tunable White (0.1%) | D - Dry     | 96 - 96 Watts | 24 - 24 VDC | AWN - Athena |

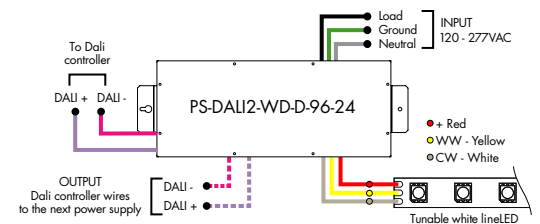
| MODELS | 96W    |
|--------|--------|
| Length | 14.40" |
| Width  | 5.20"  |
| Depth  | 2.60"  |



#### Ordering Code - DALI2 Dimming Power Supplies 0.1% 120VAC - 277VAC - for Dim-to-Warm functionality with Tunable White Output

| MODEL                         | INPUT CONTROL                        | ENVIRONMENT | WATTAGE       | OUTPUT      |
|-------------------------------|--------------------------------------|-------------|---------------|-------------|
| PS - Power Supply, 120-277VAC | DALI2-WD - DALI2 DT6 Warm Dim (0.1%) | D - Dry     | 96 - 96 Watts | 24 - 24 VDC |

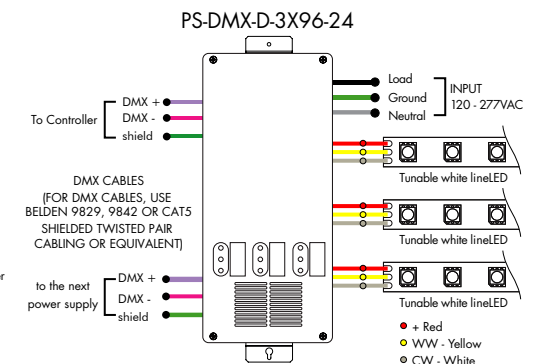
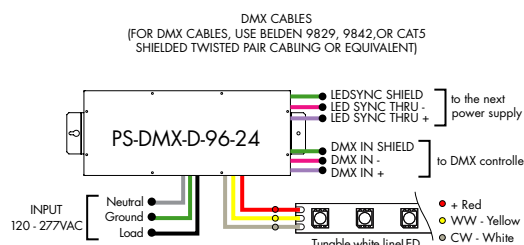
| MODELS | 96W    |
|--------|--------|
| Length | 14.40" |
| Width  | 5.20"  |
| Depth  | 2.60"  |



#### Ordering Code - DMX Dimming Power Supplies 0.1% 120VAC - 277VAC

| MODEL                         | INPUT CONTROL    | ENVIRONMENT | WATTAGE                            | OUTPUT      |
|-------------------------------|------------------|-------------|------------------------------------|-------------|
| PS - Power Supply, 120-277VAC | DMX - DMX (0.1%) | D - Dry     | 96 - 96 Watts<br>3X96 - 3X96 Watts | 24 - 24 VDC |

| MODELS | 96W    | 3X96   |
|--------|--------|--------|
| Length | 14.40" | 15.00" |
| Width  | 5.20"  | 6.62"  |
| Depth  | 2.60"  | 4.56"  |



## Power Supplies

See fixture and power supply instructions & spec sheet for wiring information. Dimming possible in select models - view Luminii website for list of compatible dimmers.

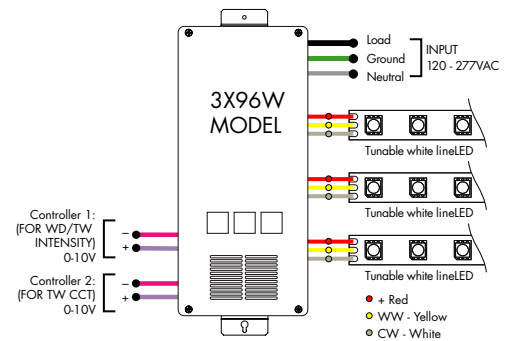
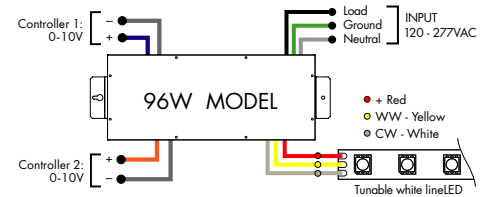
### For use with Tunable White

#### Ordering Code - VintageDim® 0-10V Dimming Power Supplies 0.1% 120VAC - 277VAC

| MODEL                         | INPUT CONTROL   | ENVIRONMENT | WATTAGE                                       | OUTPUT    |
|-------------------------------|---|-------------|---|-----------|
| PS - Power Supply, 120-277VAC | 010V-WD - 0-10V Dimming (0.1%), Standard Warm Dim Curve (with Tunable White LED)<br>010V-TW - 0-10V Dimming (0.1%), Two Channel Control, Brightness and CCT1-CCT2 Ratio<br>010V-2CH - 0-10V Dimming (0.1%), Two Channel Control, LED1 Brightness and LED2 Brightness<br>010V-WDX - 0-10V Dimming (0.1%), Customizable Warm Dim Curve (with Tunable White LED) | D-Dry       | 96-96 Watts<br>3X96 - 3x96 Watts <sup>1</sup> | 24-24 VDC |

1 - 3x96 is only available with input control options 010V-WD and 010V-TW

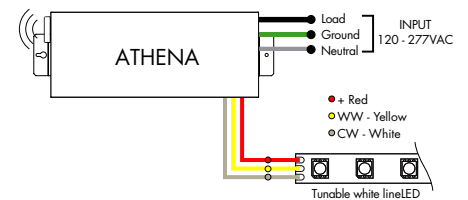
| MODELS        | 96W    | 3X96   |
|---------------|--------|--------|
| <b>Length</b> | 14.40" | 15.00" |
| <b>Width</b>  | 5.20"  | 6.62"  |
| <b>Depth</b>  | 2.60"  | 4.56"  |



#### Ordering Code - Athena VintageDim® 0-10V Power Supply 0.1% 120VAC - 277VAC - for Dim-to-Warm functionality with Tunable White Output

| MODEL                         | INPUT CONTROL   | ENVIRONMENT | WATTAGE | OUTPUT    | FEATURE      |
|-------------------------------|---|-------------|---------|-----------|--------------|
| PS - Power Supply, 120-277VAC | 010V-WD - 0-10V Dimming, Standard Warm Dim Curve (with Tunable White LED) | D-Dry       | 96-96 W | 24-24 VDC | AWN - Athena |

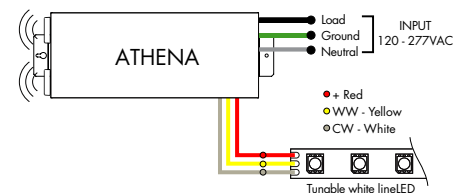
| MODELS        | 96W    |
|---------------|--------|
| <b>Length</b> | 14.40" |
| <b>Width</b>  | 5.20"  |
| <b>Depth</b>  | 2.60"  |



#### Ordering Code - Athena VintageDim® 0-10V Two Channel LED Driver, 0.1% 120VAC - 277VAC

| MODEL                         | INPUT CONTROL   | ENVIRONMENT | WATTAGE | OUTPUT    | FEATURE      |
|-------------------------------|---|-------------|---------|-----------|--------------|
| PS - Power Supply, 120-277VAC | 010V-2CH - 0-10V Dimming Two Channel Control, LED1 Brightness and LED2 Brightness | D-Dry       | 96-96 W | 24-24 VDC | AWN - Athena |

| MODELS        | 96W    |
|---------------|--------|
| <b>Length</b> | 14.40" |
| <b>Width</b>  | 5.20"  |
| <b>Depth</b>  | 2.60"  |



## Power Supplies

See fixture and power supply instructions & spec sheet for wiring information. Dimming possible in select models - view Luminii website for list of compatible dimmers.

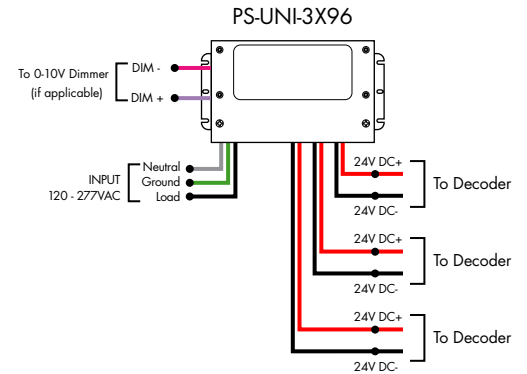
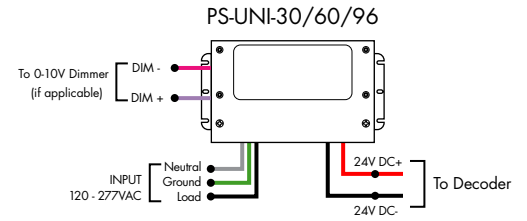
### For use with RGB/RGBW

#### Ordering Code - Universal Dimming Power Supplies 0.1% 120VAC - 277VAC

| MODEL                         | INPUT CONTROL                                    | WATTAGE  | OUTPUT      |
|-------------------------------|--|--|-------------|
| PS - Power Supply, 120-277VAC | UNI - 0-10V Dimming (0.1%), Phase Dimming (0.1%) | 30 - 30 Watts<br>60 - 60 Watts<br>96 - 96 Watts<br>3x96 - 3x96 Watts | 24 - 24 VDC |

| MODELS        | PS-UNI-30W | PS-UNI-60W | PS-UNI-96W | PS-UNI-3X96W |
|---------------|------------|------------|------------|--------------|
| <b>Length</b> | 6.50"      | 7.40"      | 8.66"      | 11.85"       |
| <b>Width</b>  | 3.73"      | 3.73"      | 3.73"      | 4.32"        |
| <b>Depth</b>  | 1.61"      | 1.61"      | 1.61"      | 1.81"        |

REQUIRES A CONTROLLER AND A DECODER TO WORK PROPERLY



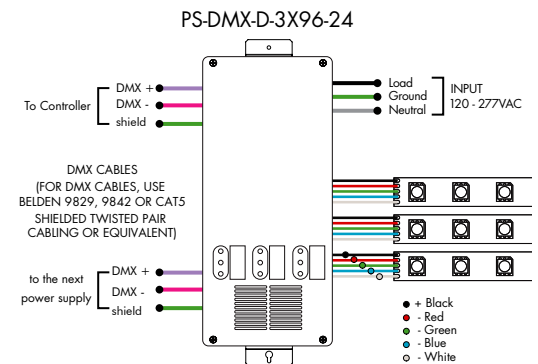
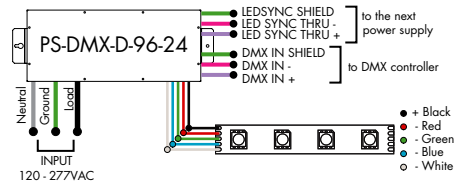
### For use with RGB/RGBW

#### Ordering Code - DMX Dimming Power Supplies 0.1% 120VAC - 277VAC

| MODEL                         | INPUT CONTROL    | ENVIRONMENT | WATTAGE                            | OUTPUT      |
|-------------------------------|------------------|-------------|------------------------------------|-------------|
| PS - Power Supply, 120-277VAC | DMX - DMX (0.1%) | D - Dry     | 96 - 96 Watts<br>3X96 - 3X96 Watts | 24 - 24 VDC |

| MODELS        | 96W    | 3X96   |
|---------------|--------|--------|
| <b>Length</b> | 14.40" | 15.00" |
| <b>Width</b>  | 5.20"  | 6.62"  |
| <b>Depth</b>  | 2.60"  | 4.56"  |

DMX CABLES (FOR DMX CABLES, USE BELDEN 9829, 9842 OR CAT5 SHIELDED TWISTED PAIR CABLING OR EQUIVALENT)

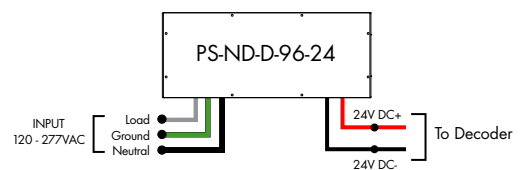


### For use with RGB/RGBW/Pixel

#### Ordering Code - Non-Dimming Power Supply 120VAC - 277VAC

| MODEL           | INPUT CONTROL    | ENVIRONMENT | WATTAGE       | OUTPUT      |
|-----------------|------------------|-------------|---------------|-------------|
| PS - PSV Series | ND - Non Dimming | D - Dry     | 96 - 96 Watts | 24 - 24 VDC |

| MODELS        | 96W    |
|---------------|--------|
| <b>Length</b> | 14.40" |
| <b>Width</b>  | 5.20"  |
| <b>Depth</b>  | 2.60"  |



REQUIRES A CONTROLLER AND A DECODER TO WORK PROPERLY

## Controllers and Decoders

### For use with Tunable White Power Supplies



ORDERING CODE

MODEL

**DTW-MC**

DTW-MC - Tunable White controller

Tunable White wall-mount controller controls lighting fixtures, wireless control of TW lighting fixture. Fits in any standard US switch box. Includes all the outputs in the back of the controller.

#### Features

- Switch & dimming control function, control range > 20M.
- Smooth transition between light levels.
- Separately operate dimming and color temperature functions.
- Able to control 1 zone with endless receivers. Each receiver can maximally be controlled by 8 remotes.
- Power, temperature color and dimming functions operated by push button after receivers are connected.

#### Operating Voltage

3V DC battery

#### Color Parameters

- Brightness
- Saturation
- Fading



ORDERING CODE

MODEL

**TW-DMX**

TW-DMX - DMX controller

Tunable White DMX wall-mount controller is a fully touch sensitive controller designed in accordance with standard dimming protocol DMX512. Offers fast and accurate color temperature adjustment and brightness dimming of natural white, warm white and cold white. Designed with a touch color wheel, the DMX512 controller can adjust color temperature and brightness for all white LEDs smoothly and accurately. The DMX controller can control 1 zone with endless decoders.

#### Features

- 1 zone
- 6 color scenes
- DMX Control
- Touch Sensitive Glass Surface
- Dimming and Speed Control
- Memory Function
- Easily Fits Standard US Switch Boxes

#### Operating Voltage

12 - 24V DC

#### Color Parameters

- Brightness
- Saturation
- Primary colors
- Fading
- Color changing speed



ORDERING CODE

MODEL

**SLD-DIMTW**

SLD-DIMTW - Tunable white LED dimming module

The SLD DimTW is a constant voltage warm dimming LED dimming module. The unique dimming module accepts 0-10V control and mimics a smooth, incandescent dimming curve.

#### Features

- Flicker free 0-100% dimming
- High efficiency up to 97%
- High precision dimming ratio:>1:1000
- Fully isolated plastic housing
- Comply with EN55015 and FCC part 15 without additional input filter and capacitors
- compact size, high reliability
- 3 years warranty

#### Operating Voltage

8-48 VDC

## Controllers and Decoders

### For use with Tunable White, RGB/RGBW Power Supplies



ORDERING CODE

MODEL

**DDMX-RGBW**

DDMX-RGBW - DMX decoder

Translates controller DMX512 programs for RGB and white LED strips.

Unique DMX address for the decoder can be set easily and displayed by the numeric display on the case. Changing and resetting the DMX address requires manual input.

Use power repeater to expand output.

**Operating Voltage**

12-36 VDC

**Power Capacity**

up to 96W at 24V

**Operating Temperature Range**

from -4°F to +122°F in case



ORDERING CODE

MODEL

**RGBW-RC-R**

RGBW-RC-R - RGBW receiver

The RGBW receiver is easily paired with controller by the click of a button. Receiver can be reset to factory settings at any time.

Each receiver can store one static RGB color, one color sequence, and one brightness setting for the white LED strip. Receivers assigned to the same scene within the same zone will have the same LED static color and color sequence.

**Operating Voltage**

12-36 VDC

**Power Capacity**

up to 96W at 24V

**Operating Temperature Range**

from -4°F to +122°F in case



ORDERING CODE

MODEL

**RGBW-SR**

RGBW-SR - RGBW signal repeater

Extends identical signal when connected in series to an RGBW LED control system. The RGBW signal repeater works with Luminii RGB and RGBW controllers, receivers, and decoders.

RGBW signal can be extended indefinitely when adequate power supply (not included) is connected to the system.

**Operating Voltage**

12-36 VDC

**Power Capacity**

up to 96W at 24V

**Operating Temperature Range**

from -4°F to +122°F in case

**Controllers and Decoders**

**For use with RGB/RGBW Power Supplies**



ORDERING CODE

MODEL

**RGBW-MC3**

RGBW-MC3 - 4-zone RGBW controller

Easy to operate wireless interface suitable for static or color changing scenes. Control 4 different color zones separately or at the same time. RGBW receiver (RGBW-RC-R) required for operation. Assign multiple receivers per zone to cover a large area.

Color wheel enables highly stable and sensitive color control functionality. Create your own color changing sequences with ease and flexibility.

**Power**

qty 3 AAA batteries

**Scenes**

up to 4 unique zones

**Signal**

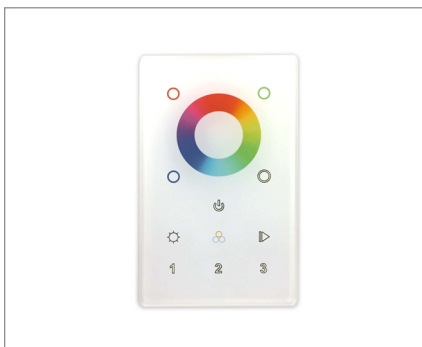
Wireless (RF)

**Energy Saving**

Deactivates after 10 seconds of inactivity

**Color Parameters**

- Brightness
- Saturation
- Primary colors
- Speed of color changing sequence
- Fading



ORDERING CODE

MODEL

ZONES

COLOR

|  |  |  |
|--|--|--|
|  |  |  |
|--|--|--|

DMX-DMX Controller    3Z-Three Zone    1Z-One Zone    RGBW-Red,Green, Blue,& White

DMX /Wireless RGB-W wall-mount controller controls DMX lighting fixtures, wireless control of RGB-W lighting fixture or use both simultaneously. Fits in any standard US switch box. Includes all the outputs in the back of the controller.

Control brightness levels with a single touch, personalize and memorize 3 different scenes, and even create 3 variations of white.

**Features**

- 2 in 1 in-Wall Controller: DMX Control or Wireless RGB-W
- 65,000 Color Options, Dimming and Speed Control
- Memory Function
- 50 Foot Wireless Range
- Easily Fits Standard US Switch Boxes
- Touch Sensitive Glass Surface
- Includes 10 Built in Programs, or Create and Play Your Own

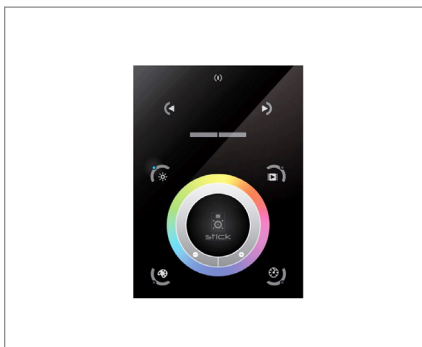
**Operating Voltage**

12 - 24V DC

**Color Parameters**

- Brightness
- Saturation
- Primary colors
- Fading
- Color changing speed

**For use with Tunable White, RGB/RGBW, Pixel Power Supplies**



ORDERING CODE

MODEL

**TSDMX-E**

TSDMX-E - Touchscreen DMX controller

Programmable advanced DMX512 lighting controller featuring a touch-screen interface. Operates as stand alone controller or integrated with most architectural lighting control systems. Can controller endless DMX512 enabled devices.

Mounts to standard single or dual gang wall box with the included power supply inside the junction box. Terminal block design for power and data connections.

**Features**

- Sleek glass design which sits 0.43" from the wall
- Graphical color display to show selected environment
- Color/dimmer/speed palette
- Color temperature mixing
- Touch sensitive buttons. No mechanical parts
- Touch sensitive wheel allows for accurate color selection
- Multi-zone microSD memory
- Multi-room control with 500 scenes, 10 zones
- 1024 DMX channels. Control 340 RGB fixtures
- USB & Ethernet connectivity for programming and control

**Power Supply**

7 VDC (included)

**Programmability**

PC, Mac, Tablet, Smartphone

**Output Signal**

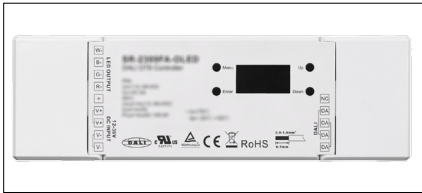
DMX512 (1024 channels)

**Color Parameters**

- Brightness
- Saturation
- Speed of color changing sequence
- Fading / dimming / brightness

**Controllers and Decoders**

**For use with Tunable White, RGB/RGBW Power Supplies**



ORDERING CODE

MODEL

**DALI2-DT8-RGBW**

DALI2-DT8-RGBW - DALI-2 RGBW Decoder

A 4-channel DALI2 DT8 decoder designed to control RGB, RGBW, and TW LED fixtures, featuring adjustable color temperature and customizable lumen output.

**Voltage/Frequency**  
12-36VDC

**Max Output Power**  
4 output channels, 60-180W each

**Max Output Current**  
4 output channels, max of 5A each

**Ambient Operating Temperature Range**  
-20 to 50 °C

**Environment**  
Dry (IP20)



ORDERING CODE

MODEL

**DDMX-5CH-RDM-PRO**

DDMX-5CH-RDM-PRO - DMX512 Decoder

DMX512 decoder with RDM functionality features 5 PWM output channels with common anode. High PWM output frequency range allows the product to be used in HD video conferencing spaces. All DMX products to be installed per DMX512 Standard.

**Power**

96 Watt

**Inputs**

RJ45, XLR-5Pin, Terminal Block

**DMX Channels**

1 to 5 settable

**PWM Output Resolution Ratio**

8 or 16 bit

**PWM Output Frequency**

500Hz - 30KHz

**Output Dimming Curve Gamma Value**

0.1 ~ 9.9



ORDERING CODE

MODEL

**RGBW-WI-R**

RGBW-WI-R - WIFI generator

RGBW-WI-R creates a local network that enables any electronic device (phone, tablet, etc.) to control the RGB/W strip connected to a RGBW-RC-R receiver.

The control functions are achieved through a free application download for Android and iOS devices called REALCOLOR.

**Operating Voltage**

12-36 VDC

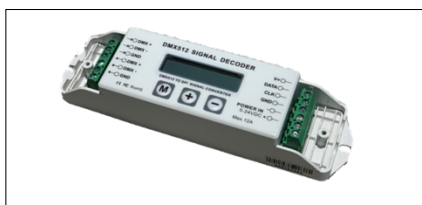
**Power Supply**

PI-130-24 (included)

**Operating Temperature Range**

from -4°F to +122°F in case

**For use with Pixel Power Supplies**



ORDERING CODE

MODEL

**SR-DMX-SPI**

SR-DMX-SPI - Smart Pixel Decoder

The SR-DMX-SPI is a smart LED pixel decoder that controls RGB/RGBW pixel LED strips with SPI signal. Designed with an OLED backlit panel, the pixel controller allows for easy configuration of most settings. Four push buttons are available for control of the LED functions.

\*For pixel only.

**Features**

- 2 in 1 in-Wall Controller: DMX Control or Wireless RGB-W
- SPI signal output for RGB/RGBW pixel light control
- DMX512 controllable and RF/WIFI remote controllable
- Capable of addressing up to 1020 RGB pixels & 765 RGBW pixels
- OLED panel allows for easy configuration

**Operating Voltage**

12 - 36V DC

**Power capacity**

up to 96W at 24V

**Operating temperature range**

from -4°F to +122°F in case