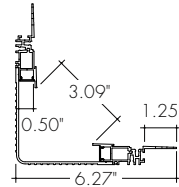


**Features**

- Krest Corner is a recessed 90° corner detail for wall-to-wall or wall-to-ceiling transitions
- Class 2, LED strip listed for damp locations
- Indirect, dot free even illumination
- Krest System is a turn-key solution for complex layouts and runs - coming with pre-welded corners and specific power feed extrusions for installation ease.
- Shipped as field configurable strip and channel
- For use with 5/8" or thicker drywall
- Vibrant Color options offer premium quality and vibrant colors with R9 values up to 99
- High Efficacy options offer best in class output and efficacy with over 510 lm/ft and up to 73 lm/W
- Average Life (L70): 50,000hrs
- 7 year warranty



**Technical Information**

| TYPE   | Vibrant Color VC72             |                                |                                |                                |                                |                               |
|--|--------------------------------|--------------------------------|--------------------------------|--------------------------------|--------------------------------|-------------------------------|
| OUTPUT OPTIONS   | 2xVC72VLO                      | 2xVC72LO                       | 2xVC72SO                       | 2xVC72MO                       | 2xVC72HO                       | 2xVC72VHO                     |
| Lumens Output (3000K)<br><small>(with a Frosted Lens)</small>  | 80 lm/ft                       | 203 lm/ft                      | 270 lm/ft                      | 357 lm/ft                      | 432 lm/ft                      | 575 lm/ft                     |
| Average Power Consumption<br><small>(for a 4" section)</small> | 2.2 W/ft                       | 5.6 W/ft                       | 7.4 W/ft                       | 9.8 W/ft                       | 11.8 W/ft                      | 15.8 W/ft                     |
| Efficacy   | 36 lm/W                        | 36 lm/W                        | 36 lm/W                        | 36 lm/W                        | 37 lm/W                        | 36 lm/W                       |
| Max Run Length<br><small>(in series)</small>                   | 28.5 ft                        | 16 ft                          | 14 ft                          | 12 ft                          | 10.5 ft                        | 9 ft                          |
| Ambient Operating Temperature Range*                           | -4°F - 122°F<br>(-20°C - 50°C) | -4°F - 122°F<br>(-20°C - 50°C) | -4°F - 122°F<br>(-20°C - 50°C) | -4°F - 113°F<br>(-20°C - 45°C) | -4°F - 104°F<br>(-20°C - 40°C) | -4°F - 86°F<br>(-20°C - 30°C) |

\*Ambient Operating Temperature Range to maintain L70 of 50k+ hours in normal mounting conditions for the fixture. Exceeding Ambient Operating Temperature Range may result in decreased life/output. Consult Technical Support for specific inquiries.

| TYPE   | High Efficacy HE64             |                                |                                |                                |                                |                               |
|--|--------------------------------|--------------------------------|--------------------------------|--------------------------------|--------------------------------|-------------------------------|
| OUTPUT OPTIONS   | 2xHE64VLO                      | 2xHE64LO                       | 2xHE64SO                       | 2xHE64MO                       | 2xHE64HO                       | 2xHE64VHO                     |
| Lumens Output (3000K)<br><small>(with a Frosted Lens)</small>  | 88 lm/ft                       | 191 lm/ft                      | 273 lm/ft                      | 364 lm/ft                      | 517 lm/ft                      | 708 lm/ft                     |
| Average Power Consumption<br><small>(for a 4" section)</small> | 2 W/ft                         | 3.8 W/ft                       | 5.8 W/ft                       | 7.6 W/ft                       | 11.2 W/ft                      | 14.2 W/ft                     |
| Efficacy   | 44 lm/W                        | 50 lm/W                        | 47 lm/W                        | 48 lm/W                        | 46 lm/W                        | 50 lm/W                       |
| Max Run Length<br><small>(in series)</small>                   | 45 ft                          | 27.4 ft                        | 17.4 ft                        | 13 ft                          | 8.5 ft                         | 6.5 ft                        |
| Ambient Operating Temperature Range*                           | -4°F - 122°F<br>(-20°C - 50°C) | -4°F - 122°F<br>(-20°C - 50°C) | -4°F - 122°F<br>(-20°C - 50°C) | -4°F - 122°F<br>(-20°C - 50°C) | -4°F - 113°F<br>(-20°C - 45°C) | -4°F - 95°F<br>(-20°C - 35°C) |

\*Ambient Operating Temperature Range to maintain L70 of 50k+ hours in normal mounting conditions for the fixture. Exceeding Ambient Operating Temperature Range may result in decreased life/output. Consult Technical Support for specific inquiries.

| CCT   | Multiplier<br><small>(ref. - 30K)</small> | TM-30 |                |                |                |
|-------|---|-------|----------------|----------------|----------------|
|       |   | CRI   | R <sub>f</sub> | R <sub>g</sub> | R <sub>9</sub> |
| 1800K | 0.50                                      | 95    | 94             | 99             | 86             |
| 2200K | 0.66                                      | 96    | 94             | 101            | 95             |
| 2400K | 0.90                                      | 98    | 96             | 101            | 91             |
| 2700K | 0.93                                      | 98    | 96             | 102            | 93             |
| 3000K | 1.00                                      | 97    | 94             | 104            | 99             |
| 3500K | 1.04                                      | 96    | 94             | 105            | 97             |
| 4100K | 1.05                                      | 97    | 95             | 104            | 96             |

| CCT   | Multiplier<br><small>(ref. - 30K)</small> | High Efficacy (HE64) |                |                |                |
|-------|---|----------------------|----------------|----------------|----------------|
|       |   | CRI                  | R <sub>f</sub> | R <sub>g</sub> | R <sub>9</sub> |
| 2200K | 0.74                                      | 94                   | 91             | 96             | 65             |
| 2400K | 0.87                                      | 94                   | 92             | 97             | 56             |
| 2700K | 0.97                                      | 94                   | 92             | 100            | 57             |
| 3000K | 1.00                                      | 93                   | 91             | 99             | 54             |
| 3500K | 1.01                                      | 95                   | 91             | 99             | 62             |
| 4000K | 1.04                                      | 95                   | 91             | 99             | 68             |

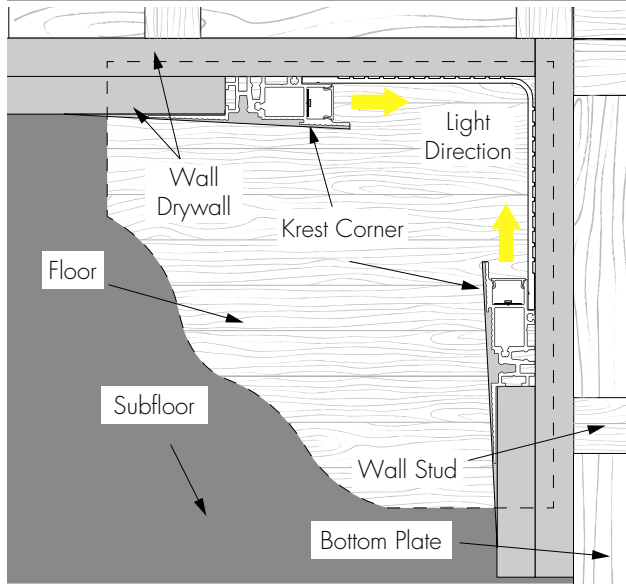
**Ordering Code**

| KREST                | MODEL         | REFLECTOR                        | SYSTEM SHAPE  | LENGTH <sup>1</sup>  | OUTPUT <sup>2</sup>  | CCT   | LENS             | MOUNTING                     | FINISH                 |
|----------------------|---------------|----------------------------------|---|--|--|---|------------------|------------------------------|------------------------|
| KREST - Krest System | CRNR - Corner | Q3 - Rounded Square 3" Reflector | STR - Straight Run<br>CMLX - Complex Shape  | Overall System Length in Inches (1/16)<br>EX: 1249.0625                  | VC72VLO - Very Low<br>VC72LO - Low<br>VC72SO - Standard<br>VC72MO - Medium<br>VC72HO - High<br>VC72VHO - Very High | 18K - 1800K<br>22K - 2200K<br>24K - 2400K<br>27K - 2700K<br>30K - 3000K<br>35K - 3500K<br>41K - 4100K | F - Frosted Lens | GDS - Gypsum Drywall Surface | WH - White Powder Coat |
|                      |               |                                  | UIC - U-Shape, Inside Corner<br>UOC - U-Shape, Outside Corner   | Leg 1 X Leg 2 X Leg 3 in Inches (1/16)<br>EX: 115.0625 X 13.50 X 235.125 |  |   |                  |                              |                        |
|                      |               |                                  | IIC - I-Shape, Inside Corner<br>LOC - I-Shape, Outside Corner<br>RECIC - Rectangle, Inside Corner<br>RECO - Rectangle, Outside Corner | Leg 1 X Leg 2 in Inches (1/16)<br>EX: 115.0625 X 13.50                   | HE64VLO - Very Low<br>HE64LO - Low<br>HE64SO - Standard<br>HE64MO - Medium<br>HE64HO - High<br>HE64VHO - Very High | 22K - 2200K<br>24K - 2400K<br>27K - 2700K<br>30K - 3000K<br>35K - 3500K<br>40K - 4000K                |                  |                              |                        |

<sup>1</sup> - Length written in decimal format to the closest sixteenth of an inch.

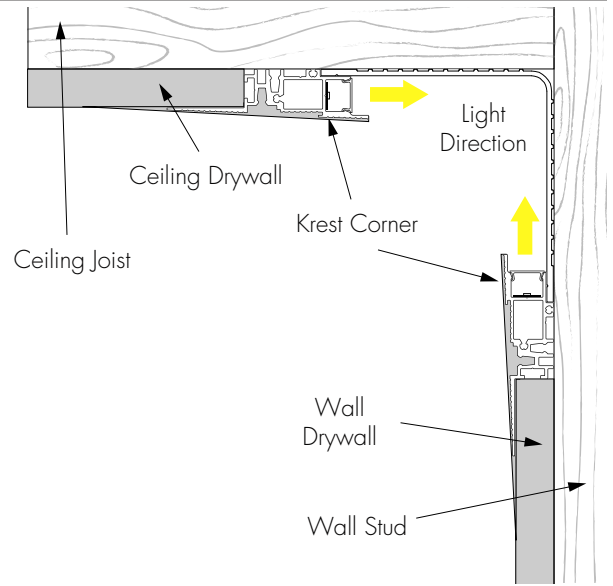
<sup>2</sup> - Title 24 JAB achievable depending on Output, CCT, and Lens selections. See multiplier charts to calculate specific efficacies.

**Applications**



Floor-To-Ceiling / Wall-To-Wall Junction

Fixture vertically mounted on 5/8" or thicker drywall. Suggested to use two layers of drywall or strapping to offset drywall

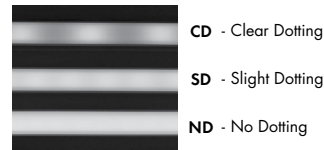


Straight Corner / Wall-To-Ceiling Perimeter

Fixture horizontally mounted on 5/8" or thicker drywall at intersection of wall and ceiling.

**Light Transmission and Dotting**

| Output Options                 | Lens/Accessory |     |     |    |
|--------------------------------|----------------|-----|-----|----|
|                                | Frosted Lens   |     |     |    |
| Dimming Level                  | 100%           | 50% | 10% | 1% |
| VC72VLO                        | ND             | ND  | ND  | ND |
| VC72LO                         | ND             | ND  | ND  | ND |
| VC72SO                         | ND             | ND  | ND  | ND |
| VC72MO                         | ND             | ND  | ND  | ND |
| VC72HO                         | ND             | ND  | ND  | ND |
| VC72VHO                        | ND             | ND  | ND  | ND |
| HE64VLO                        | ND             | ND  | ND  | ND |
| HE64LO                         | ND             | ND  | ND  | ND |
| HE64SO                         | ND             | ND  | ND  | ND |
| HE64MO                         | ND             | ND  | ND  | ND |
| HE64HO                         | ND             | ND  | ND  | ND |
| HE64VHO                        | ND             | ND  | ND  | ND |
| <b>Transmission Percentage</b> | 100%           |     |     |    |



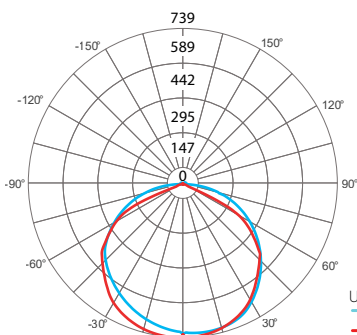
Use complete Dotting Chart Tool online for more dotting information



**Photometry**

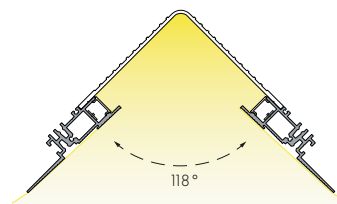
KREST-CRNR-Q3-STR-48-VC72VHO-30K-F

Krest Corner, Rounded Square 3" Backer Plate, 4ft, VHO, 3000K, Frosted Lens

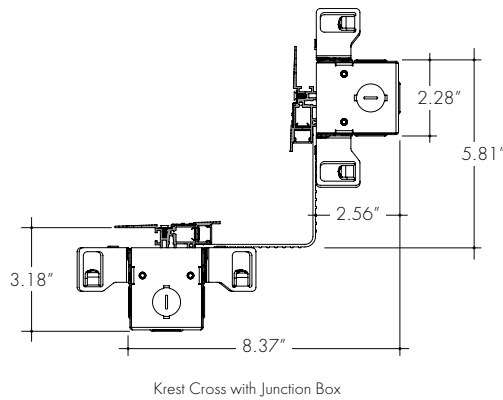
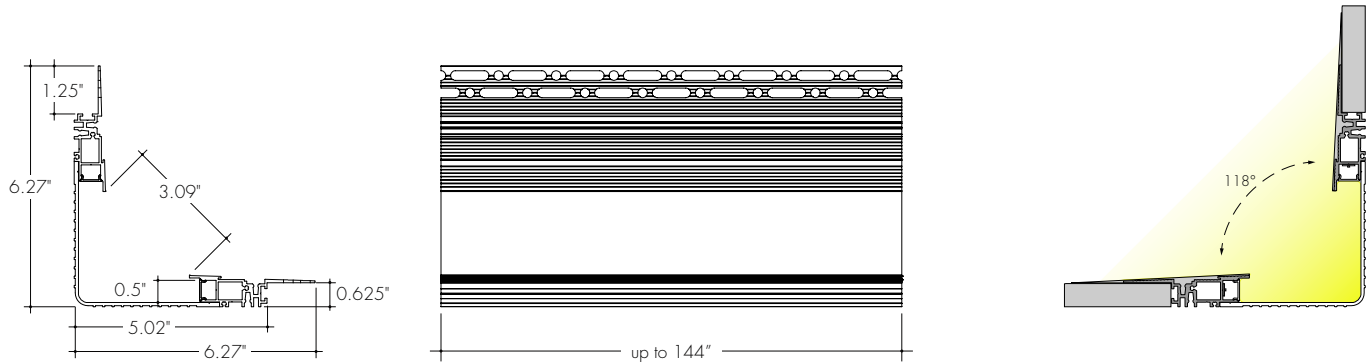


**Zonal Lumen Summary 3000K**

| Zone               | Lumen      | % Fixture     |
|--------------------|------------|---------------|
| 0-30               | 100        | 24.0%         |
| 0-40               | 161        | 38.6%         |
| 0-60               | 280        | 67.0%         |
| 0-90               | 378        | 90.4%         |
| <b>Total 0-180</b> | <b>418</b> | <b>100.0%</b> |



**Product Dimensions**



\*Krest LED Extrusion and Krest Reflectors are not mechanically joined and instead are two separate pieces.

**Finish Options**

- Finish options are only applied to the Reflector, LED extrusion will be in silver anodized finish.

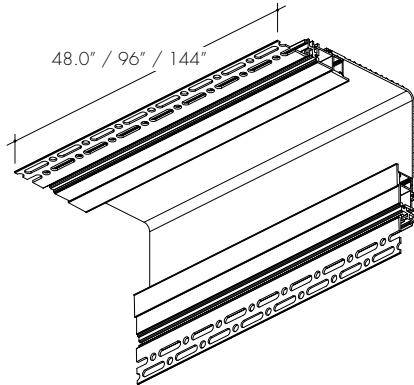
**White**  
Powder Coat



White is a polar bright white and field paintable.

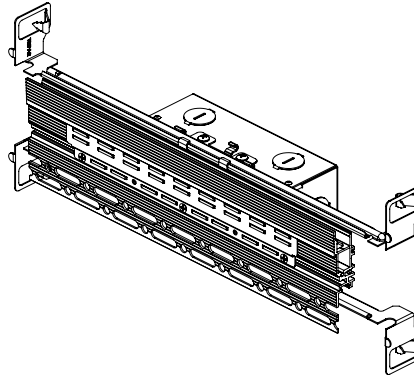
**Krest System - What's Included**

**A - Krest Straight Extrusion**



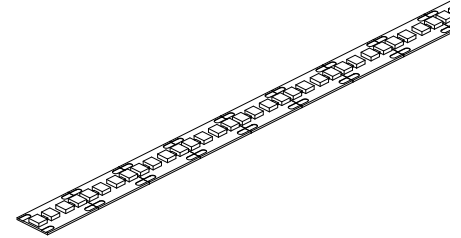
Included with Krest System, the Krest Straight extrusion is the main architectural housing for the majority of the system run. It includes two LED extrusions, two lenses, two front joiners, mounting screws, and a reflector. Provided in lengths of 48\"/>

**B - Krest Power Feed**



The Krest Power Feed has specially machined slots for wire management. It includes the LED extrusion, junction box, one back joiner, one front joiner, one front slot cover, and four trap door covers.  
**Note: Does NOT include the lens or reflector. 12\"/>**

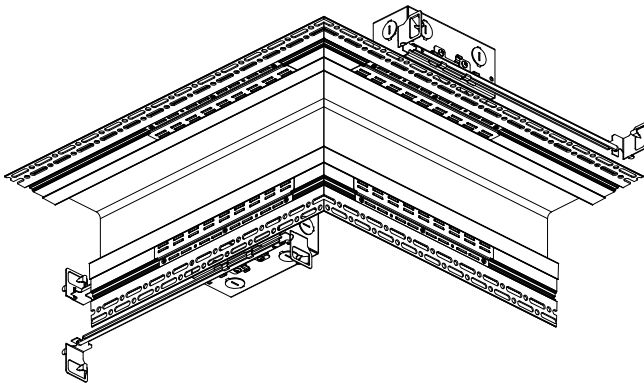
**C - LineLED**



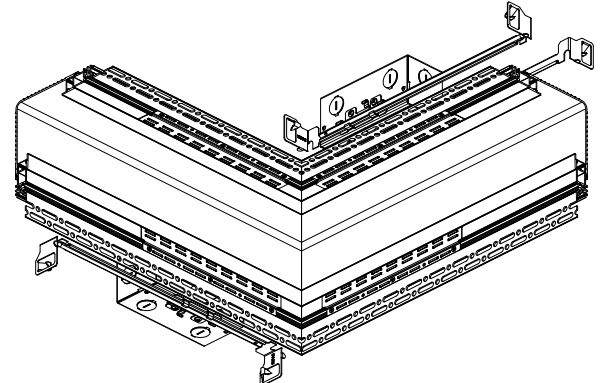
Included with Krest System, the LineLED will be split into runs based on system layout and max run length of the LED strip. By default, the LineLED will come with soldered leads (SL) on end and no connector (NC) on the other. Additional configurations available upon request.

**D - Krest Corner Power Feed**  
Based on ordered Run

Krest Corner - Outside Corner



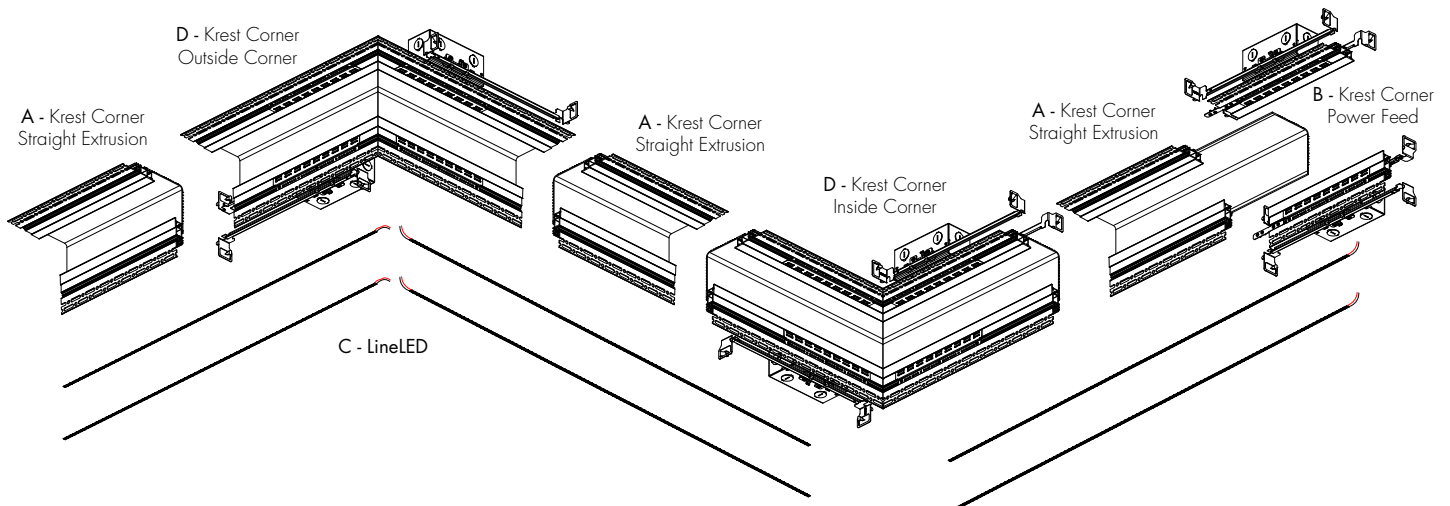
Krest Corner - Inside Corner



Included with Krest System, the Krest Corner, Corner Power Feed has pre-welded corners and specially machined slots for wire management. Includes the two welded LED extrusion pieces, four lenses, one welded reflector, two junction boxes, two back joiners, two front joiners, four front slot covers, and eight trap door covers. Corners are nominally 18\"/>

**NOTE: ALL CORNERS CAN FEED POWER TO LED STRIPS IN BOTH DIRECTIONS. BY DEFAULT, TWO JUNCTION BOXES ARE PROVIDED PER KREST CORNER POWER FEED (ONE PER SIDE).**

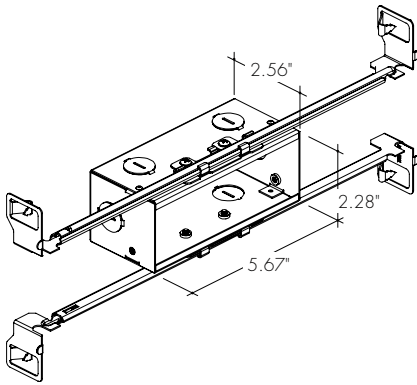
**Krest Cross System - Sample Run**



Accessories - Sold Separately

**JB-KRESTC**

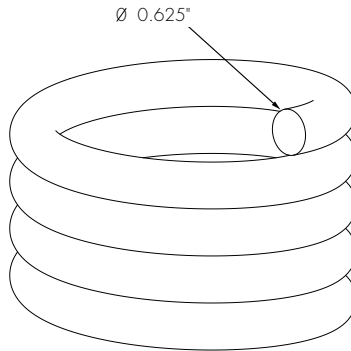
Krest Junction Box with Hanger Bars



For use when wanting more than one junction box on the Krest Corner, Corner Channel.  
**NOTE: Does not mechanically mate to Krest Extrusion**

**DUST-CVR-KRESTC**

Krest Dust Cover Foam Roll



Included with Krest System, the foam dust cover is used during the installation process to protect the LED cavity during plastering.  
**NOTE: Sold per foot. Max continuous length is 100ft**

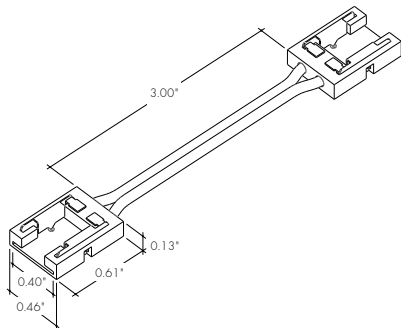
**Minii Connectors**

Minii connectors are easy, field-installable accessories that make joining LL strip simple! Their minimal width allows them to fit into extrusions, while their transparent frame eliminates dark spots.

**Note: minii connectors are NOT included in Krest System by default. LED strip included in Krest System comes with soldered leads as standard. If requested, minii connectors could be ordered instead.**

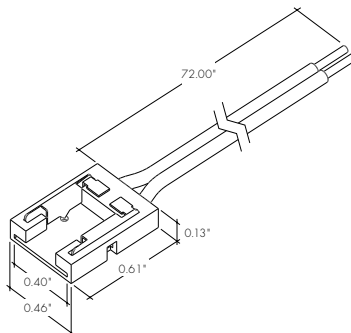
**LL-PJC-10-03**

Jumper minii connector with 3" wire for Static White LED strip



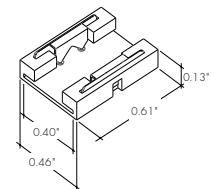
**LL-PFC-10-72**

Power feed minii connector with 72" wire for Static White LED strip



**LL-BSC-10**

Butt splice minii connector for Static White LED strip



**Power Consumption**

Please visit the link/QR code below to access the Luminii Power Consumption Chart tool on our website.

There you will be able to select your fixture, output, and desired power feed to get a full power consumption table.



I'm also click-able

Desired Nominal Length: \_\_\_\_\_

Desired Output: \_\_\_\_\_

Desired CCT: \_\_\_\_\_

**Voltage Drop Calculator**

The below chart assumes nominal voltage of 24 Volts and a Voltage Drop Allowance of 3% through the wire

| Wattage [W] | Wire Length From Power Supply to Start of Run [ft] |        |        |        |        |        |        |
|-------------|--|--------|--------|--------|--------|--------|--------|
|             | 12 AWG   | 14 AWG | 16 AWG | 18 AWG | 20 AWG | 22 AWG | 24 AWG |
| 5           | 1088.2   | 684.4  | 430.3  | 270.6  | 170.2  | 107.1  | 67.3   |
| 10          | 544.1  | 342.2  | 215.1  | 135.3  | 85.1   | 53.5   | 33.7   |
| 15          | 362.7  | 228.1  | 143.4  | 90.2   | 56.7   | 35.7   | 22.4   |
| 20          | 272.0  | 171.1  | 107.6  | 67.7   | 42.6   | 26.8   | 16.8   |
| 25          | 217.6  | 136.9  | 86.1   | 54.1   | 34.0   | 21.4   | 13.5   |
| 30          | 181.4  | 114.1  | 71.7   | 45.1   | 28.4   | 17.8   | 11.2   |
| 35          | 155.5  | 97.8   | 61.5   | 38.7   | 24.3   | 15.3   | 9.6    |
| 40          | 136.0  | 85.5   | 53.8   | 33.8   | 21.3   | 13.4   | 8.4    |
| 45          | 120.9  | 76.0   | 47.8   | 30.1   | 18.9   | 11.9   | 7.5    |
| 50          | 108.8  | 68.4   | 43.0   | 27.1   | 17.0   | 10.7   | 6.7    |
| 55          | 98.9   | 62.2   | 39.1   | 24.6   | 15.5   | 9.7    | 6.1    |
| 60          | 90.7   | 57.0   | 35.9   | 22.6   | 14.2   | 8.9    | 5.6    |
| 65          | 83.7   | 52.6   | 33.1   | 20.8   | 13.1   | 8.2    | 5.2    |
| 70          | 77.7   | 48.9   | 30.7   | 19.3   | 12.2   | 7.6    | 4.8    |
| 75          | 72.5   | 45.6   | 28.7   | 18.0   | 11.3   | 7.1    | 4.5    |
| 80          | 68.0   | 42.8   | 26.9   | 16.9   | 10.6   | 6.7    | 4.2    |
| 85          | 64.0   | 40.3   | 25.3   | 15.9   | 10.0   | 6.3    | 4.0    |
| 90          | 60.5   | 38.0   | 23.9   | 15.0   | 9.5    | 5.9    | 3.7    |
| 96          | 56.7   | 35.6   | 22.4   | 14.1   | 8.9    | 5.6    | 3.5    |

## Power Supplies

See Power Supply instructions and spec sheet for wiring information. For a complete list of compatible dimmers, see Compatible Dimming Chart on the Resources page.

### For use with Static White

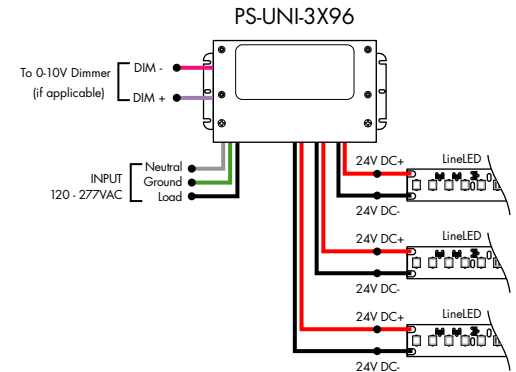
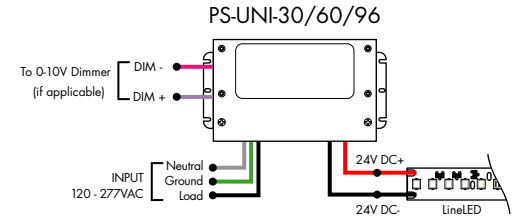
#### Ordering Code - Universal Dimming Power Supplies 0.1% 120VAC - 277VAC

| MODEL                       | INPUT CONTROL                                    | WATTAGE  | OUTPUT      |
|-----------------------------|--|--|-------------|
| PS-Power Supply, 120-277VAC | UNI - 0-10V Dimming (0.1%), Phase Dimming (0.1%) | 30 - 30 Watts<br>60 - 60 Watts<br>96 - 96 Watts<br>3x96 - 3x96 Watts | 24 - 24 VDC |

Compatibility: View a complete list of compatible dimmers on the PS-UNI product page.

0-10V - 0.1% dimming  
MLV/ELV/TRIAC - 0.1% dimming, consult dimming compatibility chart

| MODELS        | PS-UNI-30W | PS-UNI-60W | PS-UNI-96W | PS-UNI-3X96W |
|---------------|------------|------------|------------|--------------|
| <b>Length</b> | 6.50"      | 7.40"      | 8.66"      | 11.85"       |
| <b>Width</b>  | 3.73"      | 3.73"      | 3.73"      | 4.32"        |
| <b>Depth</b>  | 1.61"      | 1.61"      | 1.61"      | 1.81"        |

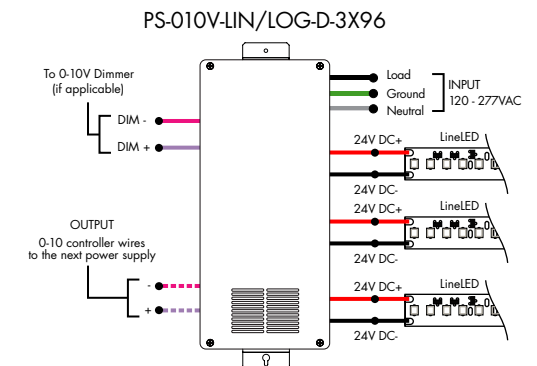
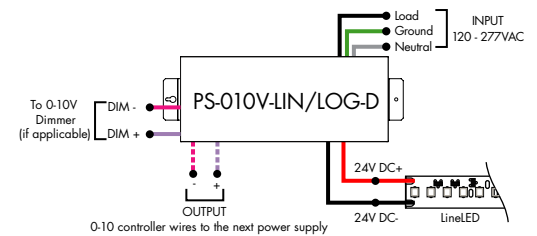


### For use with Static White

#### Ordering Code - 0-10V Dimming Power Supplies 0.1% 120VAC - 277VAC

| MODEL                       | INPUT CONTROL   | ENVIRONMENT | WATTAGE                            | OUTPUT      |
|-----------------------------|---|-------------|------------------------------------|-------------|
| PS-Power Supply, 120-277VAC | 010V-LIN - 0-10V Dimming (0.1%), Linear<br>010V-LOG - 0-10V Dimming (0.1%), Logarithmic | D-Dry       | 96 - 96 Watts<br>3x96 - 3x96 Watts | 24 - 24 VDC |

| MODELS        | 96W    | 3X96   |
|---------------|--------|--------|
| <b>Length</b> | 14.40" | 15.00" |
| <b>Width</b>  | 5.20"  | 6.62"  |
| <b>Depth</b>  | 2.60"  | 4.45"  |



## Power Supplies

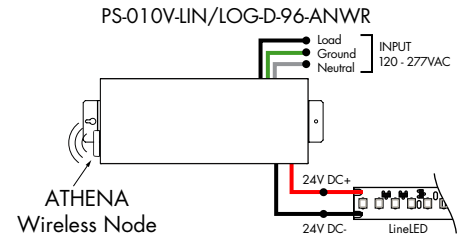
See Power Supply instructions and spec sheet for wiring information. For a complete list of compatible dimmers, see Compatible Dimming Chart on the Resources page.

### For use with Static White

#### Ordering Code - Athena 0-10V LED Driver

| MODEL                       | INPUT CONTROL                                 | ENVIRONMENT | WATTAGE     | OUTPUT    | FEATURE                   |
|-----------------------------|---|-------------|-------------|-----------|---------------------------|
| PS-Power Supply, 120-277VAC | 010V-LIN-0-10V Dimming (0.1%),<br>Linear      | D-Dry       | 96-96 Watts | 24-24 VDC | AWNR-Athena Wireless Node |
|                             | 010V-LOG-0-10V Dimming (0.1%),<br>Logarithmic |             |             |           |                           |

| MODELS | 96W    |
|--------|--------|
| Length | 14.40" |
| Width  | 5.20"  |
| Depth  | 2.60"  |

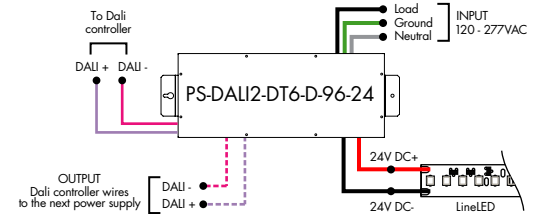


### For use with Static White

#### Ordering Code - DALI 2 Dimming Power Supplies 0.1% 120VAC - 277VAC

| MODEL                       | INPUT CONTROL              | ENVIRONMENT | WATTAGE     | OUTPUT    |
|-----------------------------|----------------------------|-------------|-------------|-----------|
| PS-Power Supply, 120-277VAC | DALI2-DT6-DALI2 DT6 (0.1%) | D-Dry       | 96-96 Watts | 24-24 VDC |

| Model  | 96W    |
|--------|--------|
| Length | 14.40" |
| Width  | 5.20"  |
| Depth  | 2.60"  |

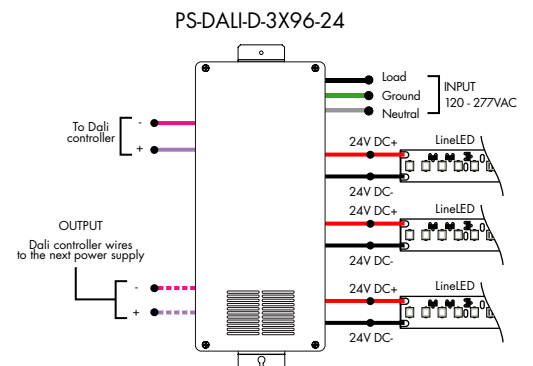
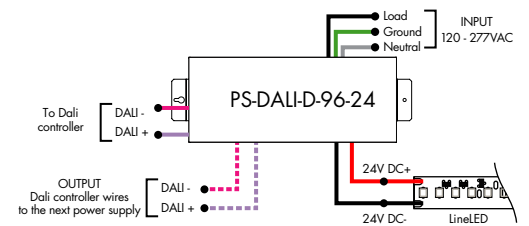


### For use with Static White

#### Ordering Code - DALI Dimming Power Supplies 0.1% 120VAC - 277VAC

| MODEL                       | INPUT CONTROL    | ENVIRONMENT | WATTAGE                        | OUTPUT    |
|-----------------------------|------------------|-------------|--------------------------------|-----------|
| PS-Power Supply, 120-277VAC | DALI-DALI (0.1%) | D-Dry       | 96-96 Watts<br>3x96-3x96 Watts | 24-24 VDC |

| Model  | 96W    | 3X96   |
|--------|--------|--------|
| Length | 14.40" | 15.00" |
| Width  | 5.20"  | 6.62"  |
| Depth  | 2.60"  | 4.56"  |



## Power Supplies

See Power Supply instructions and spec sheet for wiring information. For a complete list of compatible dimmers, see Compatible Dimming Chart on the Resources page.

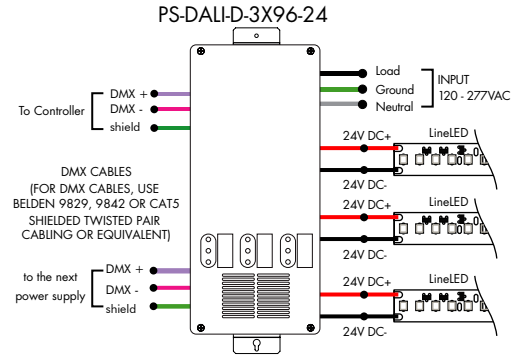
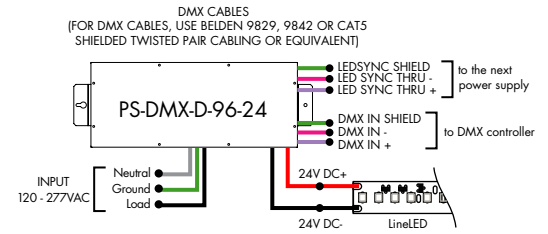
### For use with Static White

#### Ordering Code - DMX Dimming Power Supplies 0.1% 120VAC - 277VAC

| MODEL                       | INPUT CONTROL  | ENVIRONMENT | WATTAGE                        | OUTPUT    |
|-----------------------------|----------------|-------------|--------------------------------|-----------|
| PS-Power Supply, 120-277VAC | DMX-DMX (0.1%) | D-Dry       | 96-96 Watts<br>3x96-3x96 Watts | 24-24 VDC |

| MODELS | 96W    | 3X96   |
|--------|--------|--------|
| Length | 14.40" | 15.00" |
| Width  | 5.20"  | 6.62"  |
| Depth  | 2.60"  | 4.56"  |

ZONAL CONTROL POWER SUPPLIES.  
CONTROL MULTIPLE TAPES/ZONES USING DMX CHANNELS.

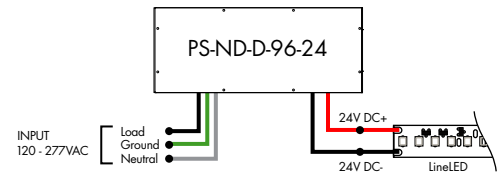


### For use with Static White

#### Ordering Code - Non-Dimming Power Supply, 120VAC - 277VAC

| MODEL                       | INPUT CONTROL  | ENVIRONMENT | WATTAGE     | OUTPUT    |
|-----------------------------|----------------|-------------|-------------|-----------|
| PS-Power Supply, 120-277VAC | ND-Non Dimming | D-Dry       | 96-96 Watts | 24-24 VDC |

| MODELS | 96W    |
|--------|--------|
| Length | 14.40" |
| Width  | 5.20"  |
| Depth  | 2.60"  |

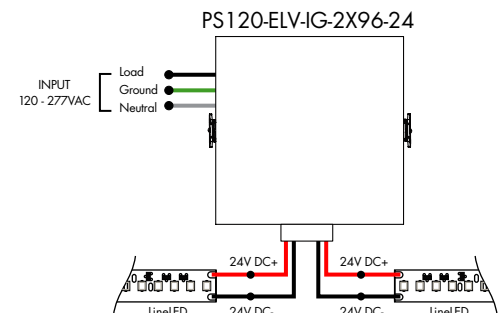


### For use with Static White

#### Ordering Code - In-Ground Power Supplies

| MODEL  | INPUT CONTROL        | ENVIRONMENT  | WATTAGE         | OUTPUT    |
|--|----------------------|--------------|-----------------|-----------|
| PS120-Power Supply, 120VAC<br>PS240-Power Supply, 240VAC<br>PS277-Power Supply, 277VAC | ELV-ELV Dimming (1%) | IG-In Ground | 2X96-2X96 Watts | 24-24 VDC |

| MODELS | 2X96W |
|--------|-------|
| Length | 8.40" |
| Width  | 8.30" |
| Depth  | 8.10" |



## Power Supplies

See Power Supply instructions and spec sheet for wiring information. For a complete list of compatible dimmers, see Compatible Dimming Chart on the Resources page.



Luminii is a Lutron OEM Advantage Partner

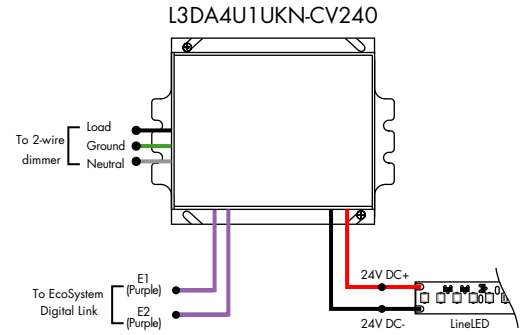
Lutron Power Supplies 1%

MODEL

**L3DA4U1UKL-CV240**

HiLume™ 1% EcoSystem Voltage LED driver 40W max

| MODELS        | L3DA4U1UKL-CV240 |
|---------------|------------------|
| <b>Length</b> | 4.98"            |
| <b>Width</b>  | 4.00"            |
| <b>Depth</b>  | 2.62"            |



Luminii is a Lutron OEM Advantage Partner

Lutron Power Supplies 0.1%

MODEL

**L3D0-96W24V-U**

HiLume™ 0.1% EcoSystem Voltage LED Driver with Soft-On, Fade-to-Black™ 96W max

| MODELS        | L3D0   |
|---------------|--------|
| <b>Length</b> | 10.50" |
| <b>Width</b>  | 5.50"  |
| <b>Depth</b>  | 2.00"  |

