

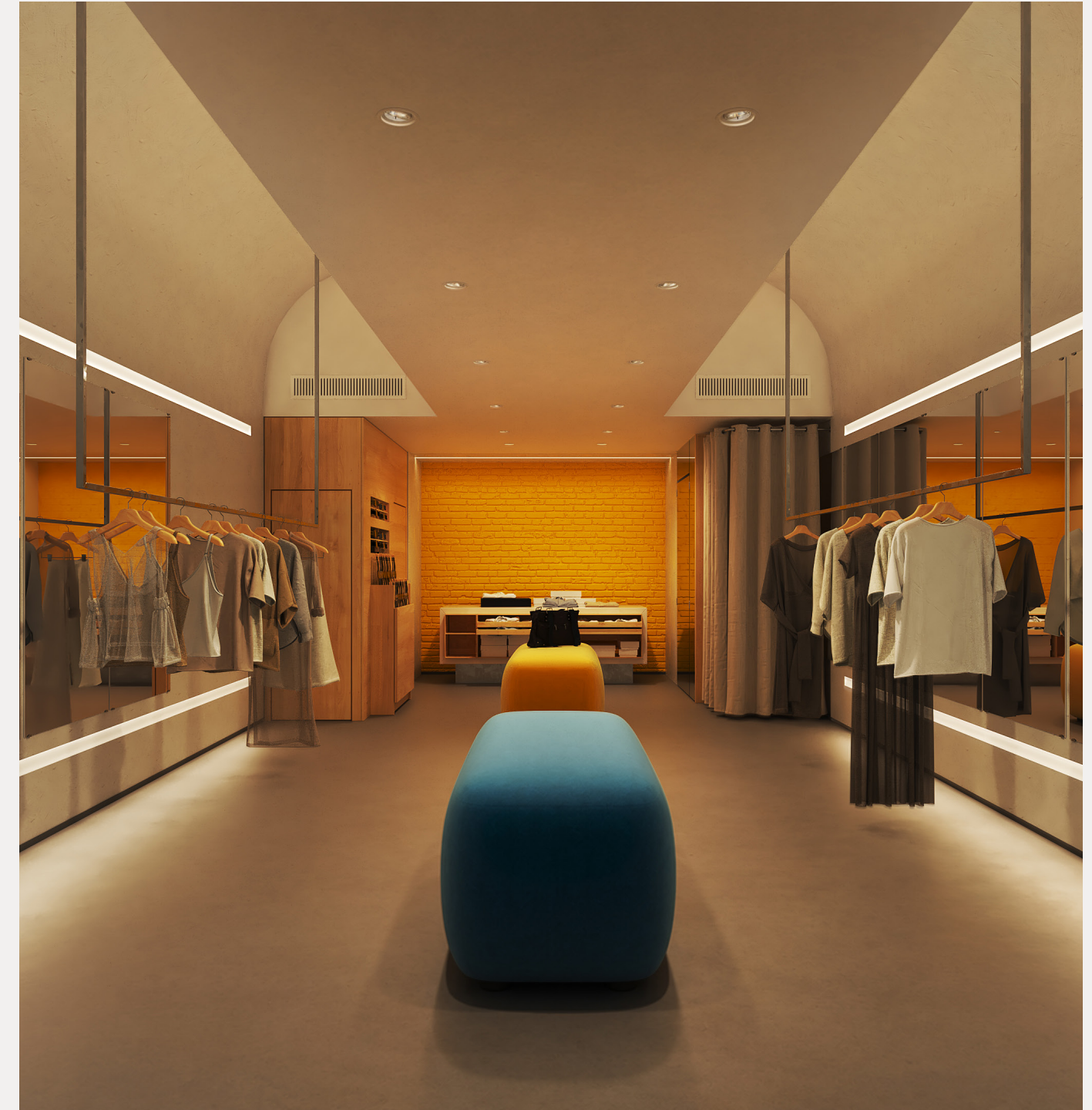
KREST

WHERE SURFACE MEETS LIGHT





CONTINUOUS.
RHYTHMIC.
INFINITE.



KREST REVEAL™



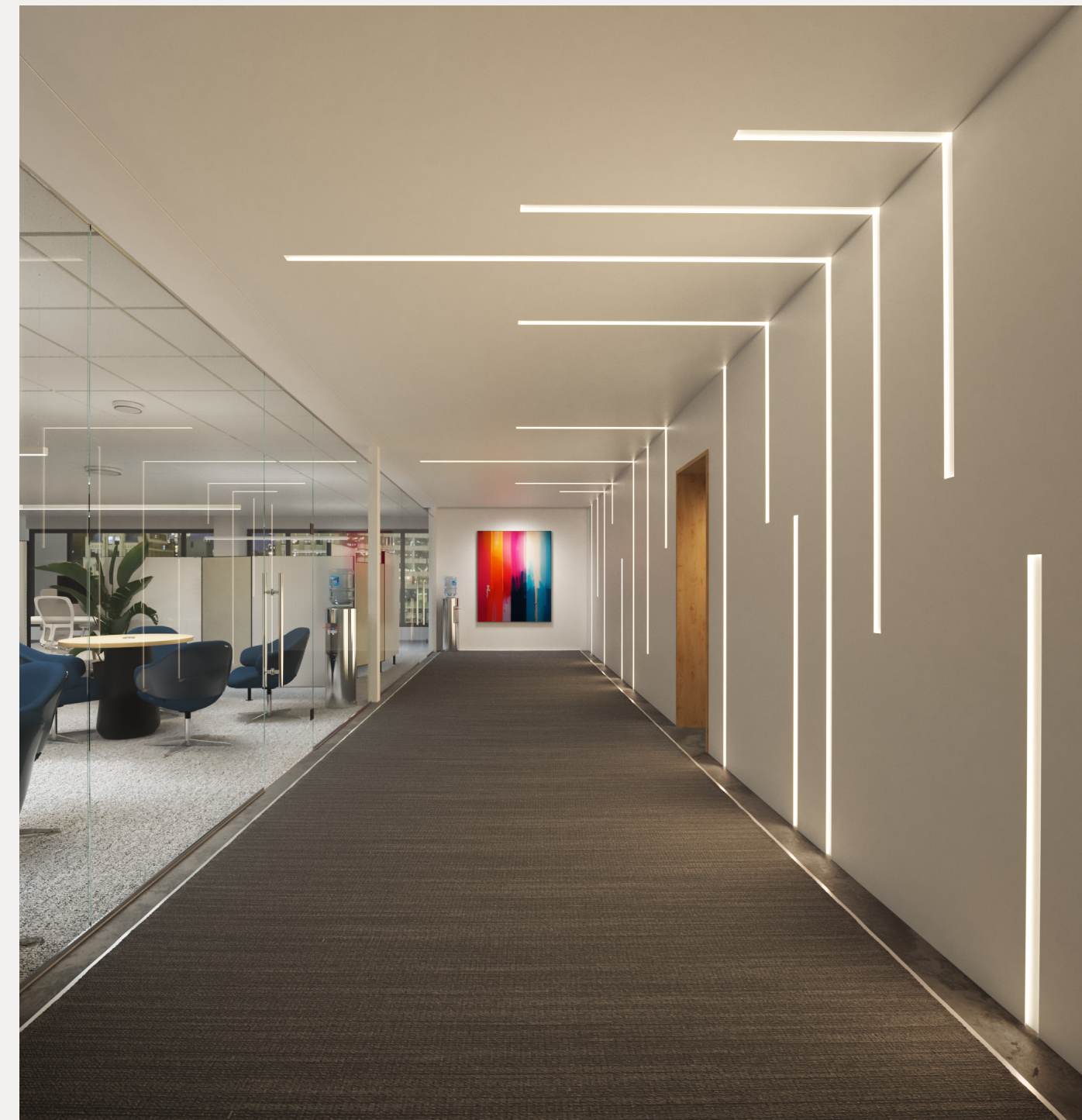
KREST WASH™



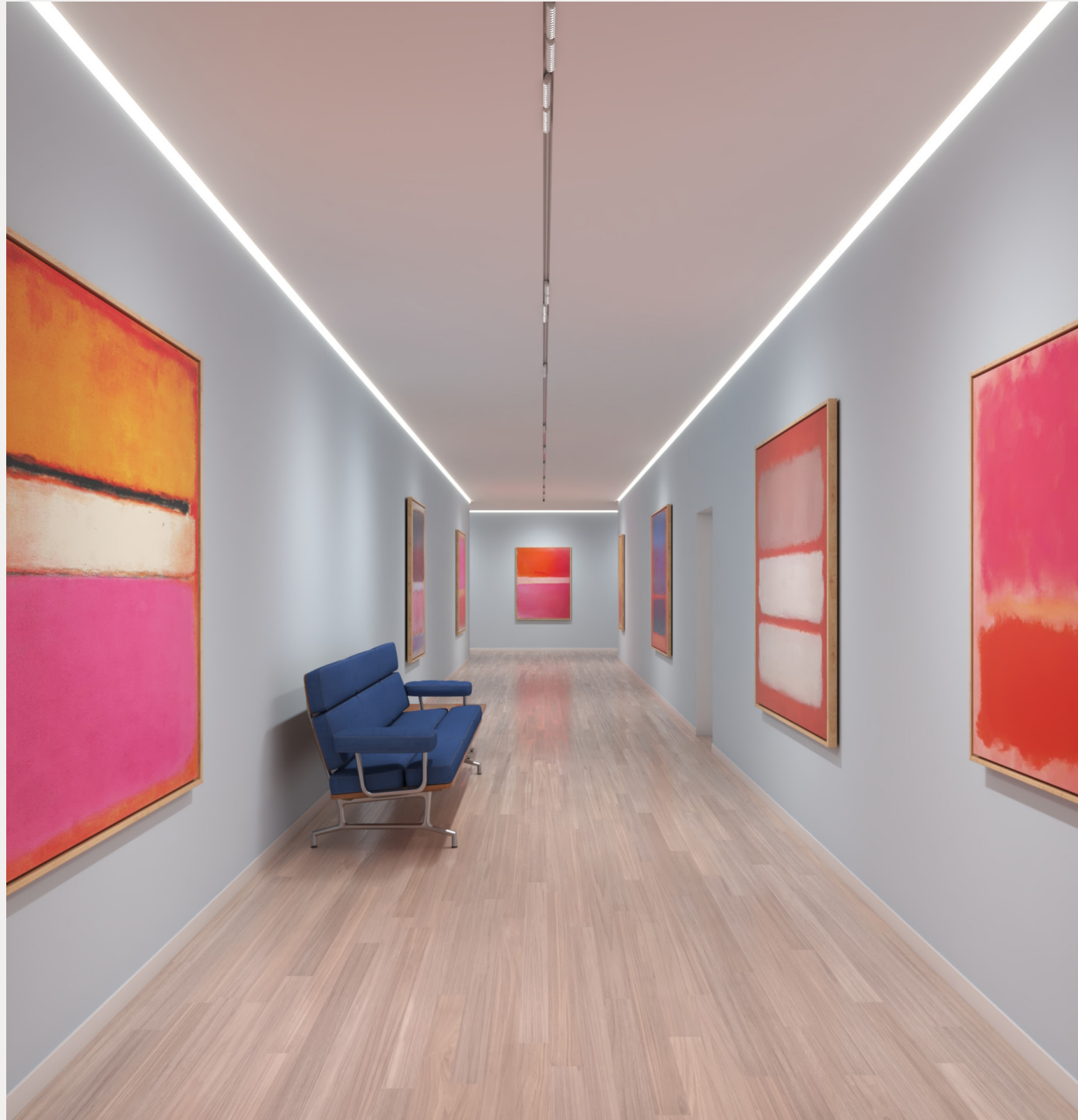
DEFINED.
DIMENSIONAL.
INTENTIONAL.



BOLD.
STRUCTURED.
ARCHITECTURAL.



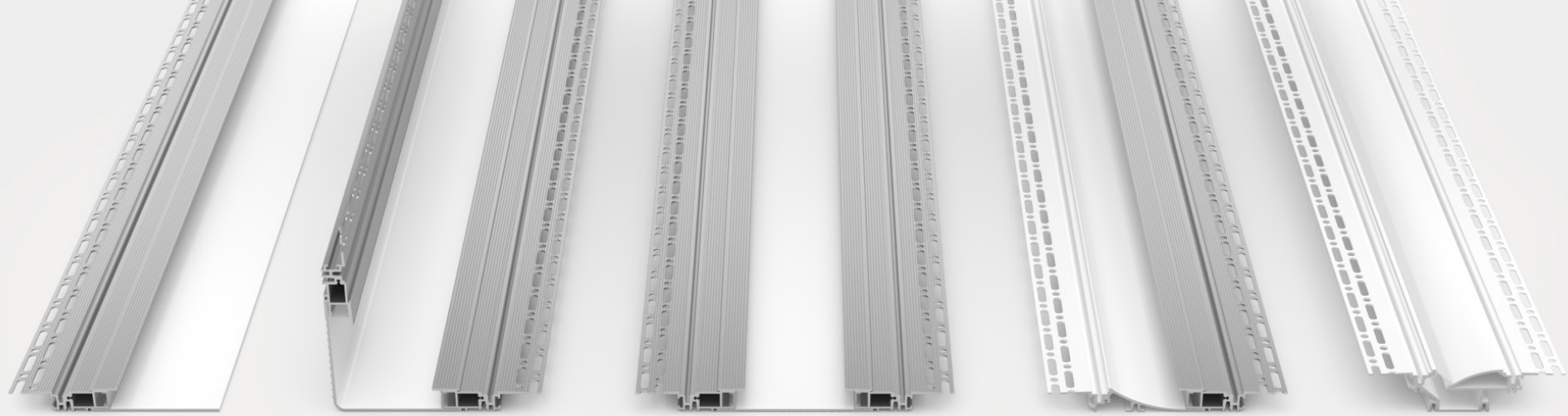
KREST DUO™



KREST CORNER™



MINIMAL.
ABSTRACT.
PURE.



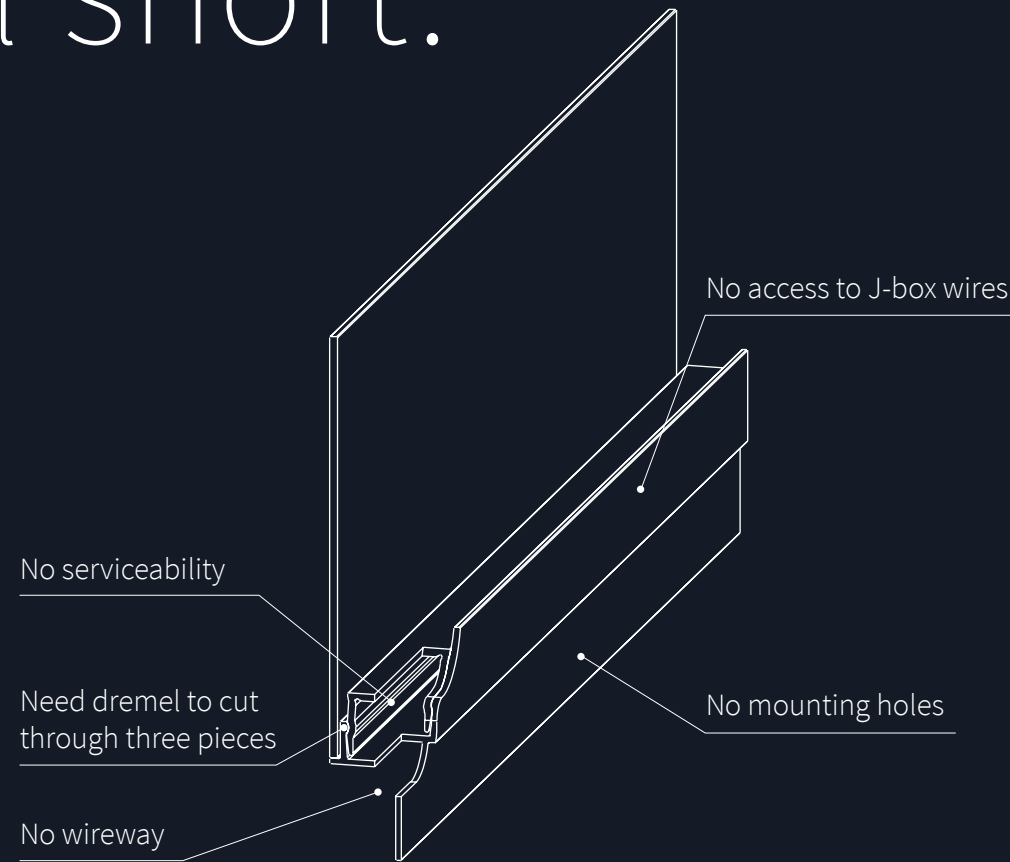
Not just an idea.
A system.

Krest is a complete mud-in lighting system designed to define clean architectural lines seamlessly integrated, precisely executed, and built for real-world installation.



Traditional mud-in solutions fall short.

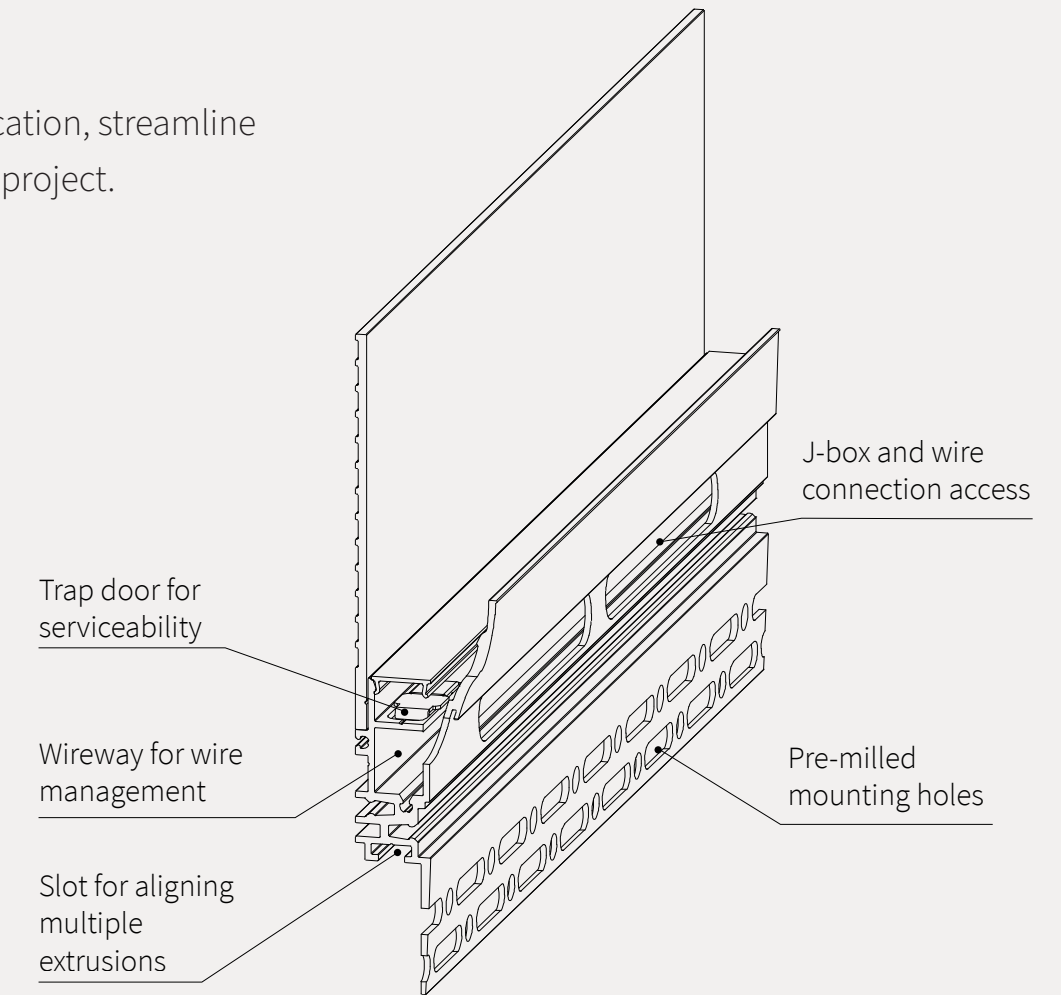
- Requires experienced installation
- Unresolved wire management
- Complex installation
- Inconsistent results



KREST is different.

It's a fully resolved system, designed to simplify specification, streamline installation, and deliver consistent results across every project.

- Integrated wiring access
- Fast, intuitive installation
- Serviceable after completion
- Predictable & consistent outcomes





DESIGNED FOR CONSISTENCY

KREST DUO



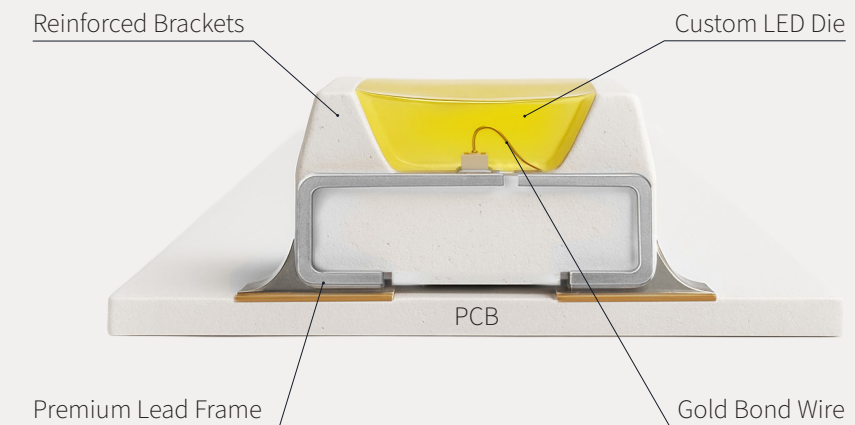
Light, refined.

KREST is powered by Luminii's Gen 2 light engine platform delivering consistent, dot-free illumination with exceptional color quality and uniformity across applications.

Engineered for performance and reliability, the platform ensures predictable results, seamless integration, and a cohesive visual experience across the entire Krest family.

Gen 2 LEDs

- *Smooth, dot-free lines of indirect light*
- *Consistent color with uniform output*
- *Flexible outputs and color temperatures*
- *Dynamic options, including tunable white and RGBW*
- *Reliable performance across all applications*





You asked, we listened.

Krest wasn't designed for the masses. It was designed with you, for you.

Built in collaboration with lighting designers and shaped by real-world challenges, the Krest platform is the result of years of research, refinement, and rethinking how mud-in systems should perform.

We set out to do something different without doing it alone.

The result is a system that solves complexity with clarity, delivering solutions that are both beautiful and easy to use.

Thank you for being part of the journey.

Explore the full range



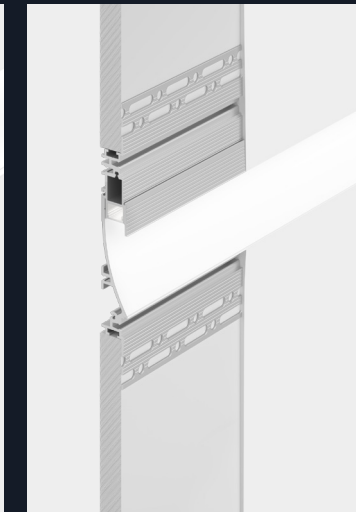
KREST EDGE
Defines the perimeter



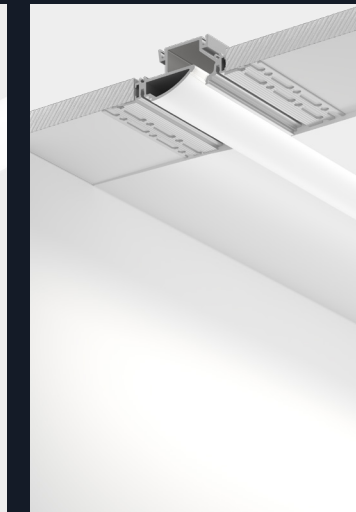
KREST CORNER
Resolves transitions



KREST DUO
Creates depth



KREST REVEAL
Adds detail



KREST WASH
Delivers uniform wall wash





TECHNICAL INFORMATION - STATIC WHITE OPTIONS

TYPE	Vibrant Color VC72					
	VC72VLO	VC72LO	VC72SO	VC72MO	VC72HO	VC72VHO
OUTPUT OPTIONS						
Lumens Output (3000K) (with a Frosted Lens)	58 lm/ft	147 lm/ft	196 lm/ft	259 lm/ft	314 lm/ft	418 lm/ft
Average Power Consumption (for a 4' section)	1.1 W/ft	2.8 W/ft	3.7 W/ft	4.9 W/ft	5.9 W/ft	7.9 W/ft
Efficacy	53 lm/W	53 lm/W	53 lm/W	53 lm/W	53 lm/W	53 lm/W
Max Run Length (in series)	56.9 ft	32 ft	28 ft	24 ft	21 ft	18 ft
Ambient Operating Temperature Range*	-4°F - 122°F (-20°C - 50°C)	-4°F - 122°F (-20°C - 50°C)	-4°F - 122°F (-20°C - 50°C)	-4°F - 113°F (-20°C - 45°C)	-4°F - 104°F (-20°C - 40°C)	-4°F - 86°F (-20°C - 30°C)

*Ambient Operating Temperature Range to maintain L70 of 50k+ hours in normal mounting conditions for the fixture. Exceeding Ambient Operating Temperature Range may result in decreased life/output. Consult Technical Support for specific inquiries.

TYPE	High Efficacy HE64					
	HE64VLO	HE64LO	HE64SO	HE64MO	HE64HO	HE64VHO
OUTPUT OPTIONS						
Lumens Output (3000K) (with a Frosted Lens)	64 lm/ft	138 lm/ft	198 lm/ft	264 lm/ft	375 lm/ft	514 lm/ft
Average Power Consumption (for a 4' section)	1 W/ft	1.9 W/ft	2.9 W/ft	3.8 W/ft	5.6 W/ft	7.1 W/ft
Efficacy	64 lm/W	73 lm/W	68 lm/W	69 lm/W	67 lm/W	72 lm/W
Max Run Length (in series)	90 ft	54.9 ft	34.9 ft	26 ft	17 ft	13 ft
Ambient Operating Temperature Range*	-4°F - 122°F (-20°C - 50°C)	-4°F - 122°F (-20°C - 50°C)	-4°F - 122°F (-20°C - 50°C)	-4°F - 122°F (-20°C - 50°C)	-4°F - 113°F (-20°C - 45°C)	-4°F - 95°F (-20°C - 35°C)

*Ambient Operating Temperature Range to maintain L70 of 50k+ hours in normal mounting conditions for the fixture. Exceeding Ambient Operating Temperature Range may result in decreased life/output. Consult Technical Support for specific inquiries.

CCT	Multiplier (ref. - 30K)	Vibrant Color (VC72)			
		CRI	TM-30		
			R _f	R _g	R ₉
1800K	0.50	95	94	99	86
2200K	0.66	96	94	101	95
2400K	0.90	98	96	101	91
2700K	0.93	98	96	102	93
3000K	1.00	97	94	104	99
3500K	1.04	96	94	105	97
4100K	1.05	97	95	104	96

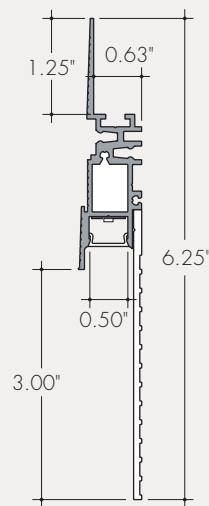
CCT	Multiplier (ref. - 30K)	High Efficacy (HE64)			
		CRI	TM-30		
			R _f	R _g	R ₉
2200K	0.74	94	91	96	65
2400K	0.87	94	92	97	56
2700K	0.97	94	92	100	57
3000K	1.00	93	91	99	54
3500K	1.01	95	91	99	62
4000K	1.04	95	91	99	68

KREST EDGE™

Perimeter mud-in solution designed to create clean, continuous lines of light along architectural edges.

Core use cases:

- Perimeter conditions
- Ceiling-to-wall transitions



ORDERING CODE

KREST	MODEL	REFLECTOR	SYSTEM SHAPE	LENGTH ¹	OUTPUT ²	CCT	LENS	MOUNTING	FINISH
KREST-Krest System	EDGE-Krest Edge	F3-Flat 3" Reflector	STR-Straight Run CMLX-Complex Shape	Overall System Length in Inches (1/16) EX: <u>1249.0625</u>	VC72VLO-Very Low VC72LO-Low VC72SO-Standard VC72MO-Medium VC72HO-High VC72VHO-Very High	18K-1800K 22K-2200K 24K-2400K 27K-2700K 30K-3000K 35K-3500K 41K-4100K	F-Frosted Lens	GDS-Gypsum Drywall Surface	WH-White Powder Coat
			UIC-U-Shape, Inside Corner UOC-U-Shape, Outside Corner UFIC-U-Shape, Flat Inside Corner UFOC-U-Shape, Flat Outside Corner	Leg 1 X Leg 2 X Leg 3 in Inches (1/16) EX: <u>115.0625 X 13.50 X 235.125</u>					
			LIC-L-Shape, Inside Corner LOC-L-Shape, Outside Corner LFIC-L-Shape, Flat Inside Corner LFOC-L-Shape, Flat Outside Corner RECIC-Rectangle, Inside Corner RECOC-Rectangle, Outside Corner RECFIC-Rectangle, Flat Inside Corner RECFOC-Rectangle, Flat Outside Corner	Leg 1 X Leg 2 in Inches (1/16) EX: <u>115.0625 X 13.50</u>					
					HE64VLO-Very Low HE64LO-Low HE64SO-Standard HE64MO-Medium HE64HO-High HE64VHO-Very High	22K-2200K 24K-2400K 27K-2700K 30K-3000K 35K-3500K 40K-4000K			

¹ - Length written in decimal format to the closest sixteenth of an inch.
² - Title 24 JA8 achievable depending on Output, CCT, and Lens selections. See multiplier charts to calculate specific efficacies.



TECHNICAL INFORMATION - DYNAMIC COLOR OPTIONS

TYPE	Warm Dim			Tunable White			RGB		RGBW		Pixel	
	WD51 (18K-30K)			TW51 (27K-65K)			RGB42		RGBW36		RGBX18	RGBWX18
	SO	HO	VHO	SO	HO	VHO	SO	HO	SO	HO	SO	SO
Lumens Output (All On w/ Frosted Lens)	85 lm/ft	178 lm/ft	253 lm/ft	188 lm/ft	234 lm/ft	316 lm/ft	95 lm/ft	139 lm/ft	95 lm/ft	158 lm/ft	76 lm/ft	115 lm/ft
Average Power Consumption (for a 4" section)	2.3 W/ ft	4.7 W/ ft	6.9 W/ ft	4.4 W/ ft	5.4 W/ ft	7.6 W/ ft	4.5 W/ft	8.3 W/ft	4 W/ft	7.6 W/ft	4.5 W/ft	5.7 W/ft
Efficacy	37 lm/W	38 lm/W	37 lm/W	43 lm/W	43 lm/W	42 lm/W	21 lm/W	17 lm/W	24 lm/W	21 lm/W	17 lm/W	20 lm/W
Max Run Length (in series)	37 ft	22 ft	15 ft	28.9 ft	22 ft	15 ft	28ft	14ft	26ft	13ft	30ft	20ft
Ambient Operating Temperature Range*	-4°F - 122°F (-20°C - 50°C)	-4°F - 122°F (-20°C - 50°C)	-4°F - 95°F (-20°C - 35°C)	-4°F - 122°F (-20°C - 50°C)	-4°F - 113°F (-20°C - 45°C)	-4°F - 86°F (-20°C - 30°C)	-4°F - 122°F (-20°C - 50°C)	-4°F - 86°F (-20°C - 30°C)	-4°F - 122°F (-20°C - 50°C)	-4°F - 86°F (-20°C - 30°C)	-4°F - 122°F (-20°C - 50°C)	-4°F - 104°F (-20°C - 40°C)
Control/Dimming Protocol	0-10V, DALI, DALI2, MLV (Triac), ELV, Inc.			0-10V, DMX, DALI-DT8			DMX, DALI-DT8		DMX, DALI-DT8		SPI Protocol UCS 2903	SPI Protocol UCS 2904

*Ambient Operating Temperature Range to maintain L70 of 50k+ hours in normal mounting conditions for the fixture. Exceeding Ambient Operating Temperature Range may result in decreased life/output. Consult Technical Support for specific inquiries.

Warm Dim (WD51)						Tunable White (TW51)						RGBW (3000K)				Dominant Wavelength				
CCT	Multiplier (ref. - 18K30K)	TM-30				CCT	Multiplier (ref. - 27K65K)	TM-30				Tape	TM-30			Color	RGB42/ RGBW36	RGBX18/ RGBWX18		
		CRI	R _f	R _g	R _g			CRI	R _f	R _g	R _g		CRI	R _f	R _g		R _g	Red	Green	Blue
18K24K	1800K	0.90	92	85	91	86	18K30K	1800K	0.40	92	85	91	86	RGBW36	95	93	106	84	620nm	621nm
	2400K		96	95	104	97		2400K	1.00	95	93	106	98		93	91	99	64	525nm	519nm
18K27K	1800K	0.97	92	85	91	86	27K65K	3000K	0.62	97	94	104	95	RGBWX18	93	91	99	64	467nm	465nm
	2700K		96	95	104	96		2700K	0.45	97	95	103	93							
18K30K	1800K	1.00	92	85	91	86	6500K	4200K	1.00	96	93	105	95							
	3000K		95	95	104	90		6500K	0.58	91	90	101	63							

ORDERING CODE

KREST	MODEL	REFLECTOR	SYSTEM SHAPE	LENGTH ¹	OUTPUT ²	CCT	LENS	MOUNTING	FINISH
KREST-Krest System	EDGE-Krest Edge	F3-Flat 3" Reflector	STR-Straight Run CMLX-Complex Shape	Overall System Length in Inches (1/16) EX: <u>1249.0625</u>	WD51SO-Standard WD51HO-High WD51VHO-Very High	18K24K-1800K - 2400K 18K27K-1800K - 2700K 18K30K-1800K - 3000K	F-Frosted Lens	GDS-Gypsum Drywall Surface	WH-White Powder Coat
			UIC-U-Shape, Inside Corner UOC-U-Shape, Outside Corner UFC-U-Shape, Flat Corner	Leg 1 X Leg 2 X Leg 3 in Inches (1/16) EX: <u>115.0625 X 13.50 X 235.125</u>	TW51SO-Standard TW51HO-High TW51VHO-Very High	18K30K-1800K - 3000K 27K65K-2700K - 6500K			
			LIC-L-Shape, Inside Corner LOC-L-Shape, Outside Corner LFC-L-Shape, Flat Corner RECIC-Rectangle, Inside Corner RECOC-Rectangle, Outside Corner RECFC-Rectangle, Flat Corner	Leg 1 X Leg 2 in Inches (1/16) EX: <u>115.0625 X 13.50</u>	RGBW36SO-Standard RGBW36HO-High RGB42SO-Standard RGB42HO-High	CLR-Color			
					RGBWX18SO-Standard RGBX18SO-Standard	PXSPI-Smart Pixel Control			

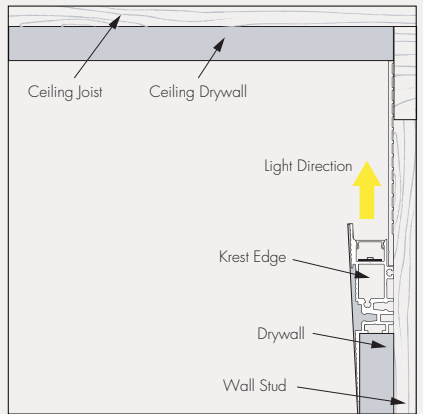
¹ - Length written in decimal format to the closest sixteenth of an inch.



KREST EDGE APPLICATIONS

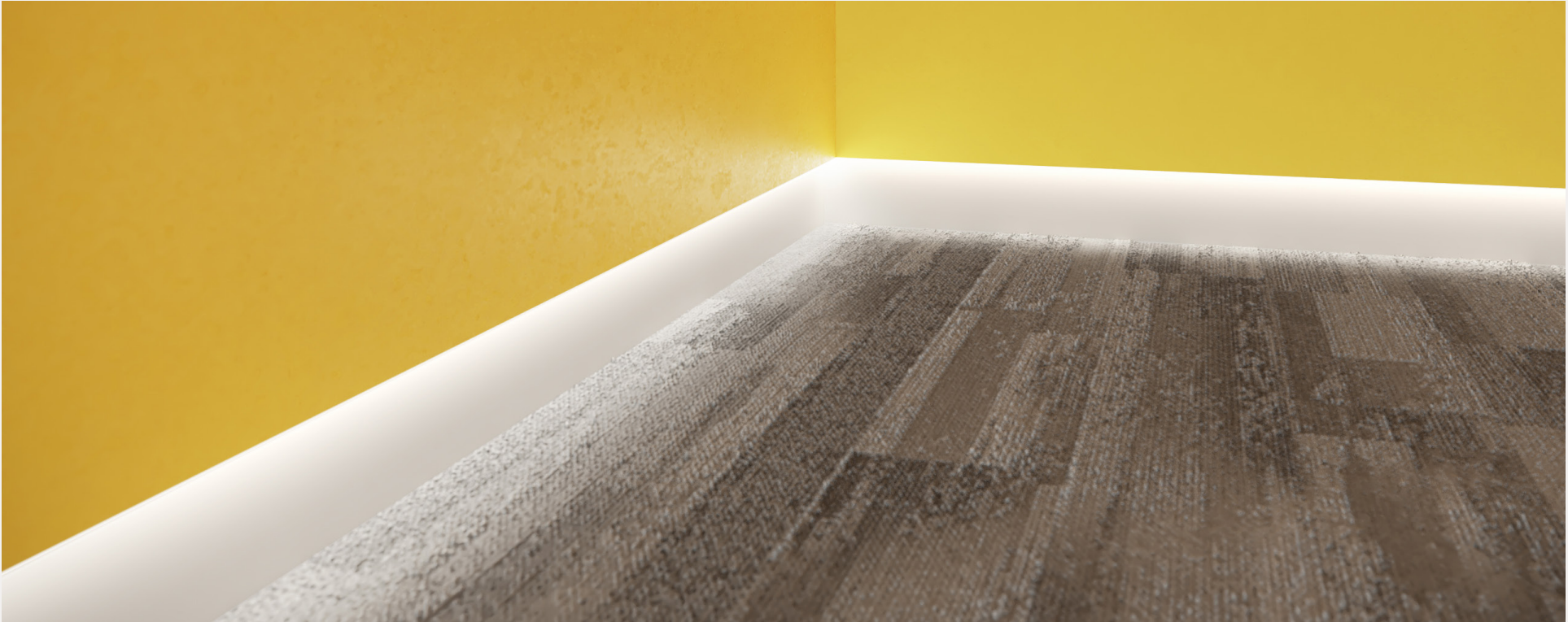
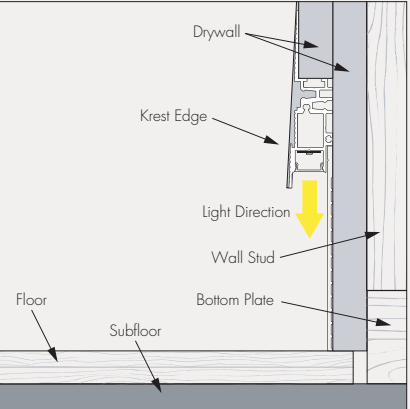
WALL-TO-CEILING

Fixture mounted on 5/8" or thicker ceiling drywall with reflector up to the ceiling.



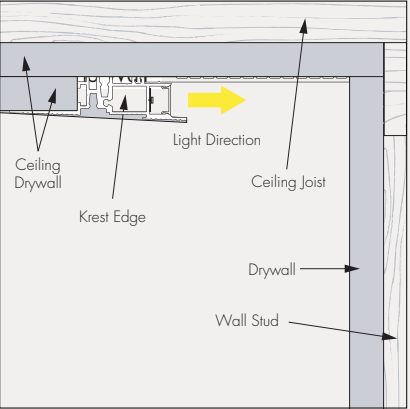
TOE-KICK

Fixture mounted on 5/8" or thicker ceiling drywall with reflector touching the finished floor surface. Suggested to use two layers of drywall.



CEILING-TO-WALL

Fixture mounted on 5/8" or thicker ceiling drywall. Suggested to use two layers of drywall.





TECHNICAL INFORMATION - STATIC WHITE OPTIONS

TYPE	Vibrant Color VC72					
	2xVC72VLO	2xVC72LO	2xVC72SO	2xVC72MO	2xVC72HO	2xVC72VHO
OUTPUT OPTIONS						
Lumens Output (3000K) <small>(with a Frosted Lens)</small>	80 lm/ft	203 lm/ft	270 lm/ft	357 lm/ft	432 lm/ft	575 lm/ft
Average Power Consumption <small>(for a 4' section)</small>	2.2 W/ft	5.6 W/ft	7.4 W/ft	9.8 W/ft	11.8 W/ft	15.8 W/ft
Efficacy	36 lm/W	36 lm/W	36 lm/W	36 lm/W	37 lm/W	36 lm/W
Max Run Length <small>(in series)</small>	28.5 ft	16 ft	14 ft	12 ft	10.5 ft	9 ft
Ambient Operating Temperature Range*	-4°F - 122°F (-20°C - 50°C)	-4°F - 122°F (-20°C - 50°C)	-4°F - 122°F (-20°C - 50°C)	-4°F - 113°F (-20°C - 45°C)	-4°F - 104°F (-20°C - 40°C)	-4°F - 86°F (-20°C - 30°C)

* Ambient Operating Temperature Range to maintain L70 of 50k+ hours in normal mounting conditions for the fixture. Exceeding Ambient Operating Temperature Range may result in decreased life/output. Consult Technical Support for specific inquiries.

TYPE	High Efficacy HE64					
	2xHE64VLO	2xHE64LO	2xHE64SO	2xHE64MO	2xHE64HO	2xHE64VHO
OUTPUT OPTIONS						
Lumens Output (3000K) <small>(with a Frosted Lens)</small>	88 lm/ft	191 lm/ft	273 lm/ft	364 lm/ft	517 lm/ft	708 lm/ft
Average Power Consumption <small>(for a 4' section)</small>	2 W/ft	3.8 W/ft	5.8 W/ft	7.6 W/ft	11.2 W/ft	14.2 W/ft
Efficacy	44 lm/W	50 lm/W	47 lm/W	48 lm/W	46 lm/W	50 lm/W
Max Run Length <small>(in series)</small>	45 ft	27.4 ft	17.4 ft	13 ft	8.5 ft	6.5 ft
Ambient Operating Temperature Range*	-4°F - 122°F (-20°C - 50°C)	-4°F - 122°F (-20°C - 50°C)	-4°F - 122°F (-20°C - 50°C)	-4°F - 122°F (-20°C - 50°C)	-4°F - 113°F (-20°C - 45°C)	-4°F - 95°F (-20°C - 35°C)

* Ambient Operating Temperature Range to maintain L70 of 50k+ hours in normal mounting conditions for the fixture. Exceeding Ambient Operating Temperature Range may result in decreased life/output. Consult Technical Support for specific inquiries.

CCT	Vibrant Color (VC72)				
	Multiplier <small>(ref. - 30K)</small>	CRI	TM-30		
			R _f	R _g	R ₉
1800K	0.50	95	94	99	86
2200K	0.66	96	94	101	95
2400K	0.90	98	96	101	91
2700K	0.93	98	96	102	93
3000K	1.00	97	94	104	99
3500K	1.04	96	94	105	97
4100K	1.05	97	95	104	96

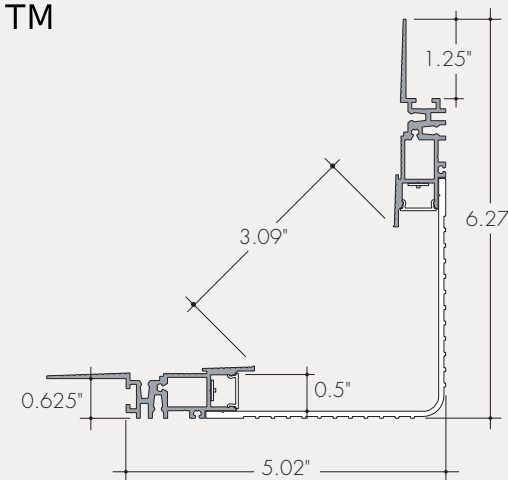
CCT	High Efficacy (HE64)				
	Multiplier <small>(ref. - 30K)</small>	CRI	TM-30		
			R _f	R _g	R ₉
2200K	0.74	94	91	96	65
2400K	0.87	94	92	97	56
2700K	0.97	94	92	100	57
3000K	1.00	93	91	99	54
3500K	1.01	95	91	99	62
4000K	1.04	95	91	99	68

KREST CORNER™

Recessed 90° mud-in corner detail designed to carry indirect linear illumination through wall-to-wall or wall-to-ceiling transitions.

Core use cases:

- Inside corner conditions
- Wall-to-wall transitions
- Wall-to-ceiling transitions



ORDERING CODE

KREST	MODEL	REFLECTOR	SYSTEM SHAPE	LENGTH ¹	OUTPUT ²	CCT	LENS	MOUNTING	FINISH
KREST-Krest System	CRNR-Corner	Q3-Rounded Square 3" Reflector	STR-Straight Run CMLX-Complex Shape	Overall System Length in Inches (1/16) EX: 1249.0625	VC72VLO-Very Low VC72LO-Low VC72SO-Standard VC72MO-Medium VC72HO-High VC72VHO-Very High	18K-1800K 22K-2200K 24K-2400K 27K-2700K 30K-3000K 35K-3500K 41K-4100K	F-Frosted Lens	GDS-Gypsum Drywall Surface	WH-White Powder Coat
			UIC-U-Shape, Inside Corner UOC-U-Shape, Outside Corner	Leg 1 X Leg 2 X Leg 3 in Inches (1/16) EX: 115.0625 X 13.50 X 235.125	HE64VLO-Very Low HE64LO-Low HE64SO-Standard HE64MO-Medium HE64HO-High HE64VHO-Very High	22K-2200K 24K-2400K 27K-2700K 30K-3000K 35K-3500K 40K-4000K			
			LIC-L-Shape, Inside Corner LOC-L-Shape, Outside Corner RECIC-Rectangle, Inside Corner RECOC-Rectangle, Outside Corner	Leg 1 X Leg 2 in Inches (1/16) EX: 115.0625 X 13.50					

1 - Length written in decimal format to the closest sixteenth of an inch.
2 - Title 24 JAB achievable depending on Output, CCT, and lens selections. See multiplier charts to calculate specific efficacies.



TECHNICAL INFORMATION - DYNAMIC COLOR OPTIONS

TYPE	Warm Dim			Tunable White			RGB		RGBW		Pixel	
	2x WD51 (18K-30K)			2x TW51 (27K-65K)			2x RGB42		2x RGBW36		2x RGBX18	2x RGBWX18
OUTPUT OPTIONS	SO	HO	VHO	SO	HO	VHO	SO	HO	SO	HO	SO	SO
Lumens Output (All On w/ Frosted Lens)	117 lm/ft	245 lm/ft	349 lm/ft	259 lm/ft	322 lm/ft	436 lm/ft	130 lm/ft	192 lm/ft	131 lm/ft	218 lm/ft	105 lm/ft	159 lm/ft
Average Power Consumption (for a 4' section)	4.6 W/ft	9.5 W/ft	13.8 W/ft	8.8 W/ft	10.9 W/ft	15.2 W/ft	9 W/ft	16.6 W/ft	8 W/ft	15.2 W/ft	9 W/ft	11.4 W/ft
Efficacy	25 lm/W	26 lm/W	25 lm/W	29 lm/W	30 lm/W	29 lm/W	14 lm/W	12 lm/W	16 lm/W	14 lm/W	12 lm/W	14 lm/W
Max Run Length (in series)	18.5 ft	11 ft	7.5 ft	14.4 ft	11 ft	7.5 ft	14ft	7ft	13ft	6.5ft	15ft	10ft
Ambient Operating Temperature Range*	-4°F - 122°F (-20°C - 50°C)	-4°F - 122°F (-20°C - 50°C)	-4°F - 95°F (-20°C - 35°C)	-4°F - 122°F (-20°C - 50°C)	-4°F - 113°F (-20°C - 45°C)	-4°F - 86°F (-20°C - 30°C)	-4°F - 122°F (-20°C - 50°C)	-4°F - 86°F (-20°C - 30°C)	-4°F - 122°F (-20°C - 50°C)	-4°F - 86°F (-20°C - 30°C)	-4°F - 122°F (-20°C - 50°C)	-4°F - 104°F (-20°C - 40°C)
Control/Dimming Protocol	0-10V, DALI, DALI2, MLV (Triac), ELV, Inc.			0-10V, DMX, DALI-DT8			DMX, DALI-DT8		DMX, DALI-DT8		SPI Protocol UCS 2903	SPI Protocol UCS 2904

*Ambient Operating Temperature Range to maintain L70 of 50k+ hours in normal mounting conditions for the fixture. Exceeding Ambient Operating Temperature Range may result in decreased life/output. Consult Technical Support for specific inquiries.

Warm Dim (WD51)					Tunable White (TW51)					RGBW (3000K)				Dominant Wavelength							
CCT	Multiplier (ref. - 18K30K)	TM-30				CCT	Multiplier (ref. - 27K65K)	TM-30				Tape	TM-30			Color	RGB42/ RGBW36	RGBX18/ RGBWX18			
		CRI	R _f	R _g	R _g			CRI	R _f	R _g	R _g		CRI	R _f	R _g				R _g		
18K24K	1800K	0.90	92	85	91	86	18K30K	1800K	0.40	92	85	91	86	RGBW36	95	93	106	84	Red	620nm	621nm
	2400K		96	95	104	97		2400K	1.00	95	93	106	98		93	91	99	64		Green	525nm
18K27K	1800K	0.97	92	85	91	86	27K65K	3000K	0.62	97	94	104	95	RGBWX18	93	91	99	64	Blue		467nm
	2700K		96	95	104	96		2700K	0.45	97	95	103	93		RGBW36	95	93	106		84	Green
18K30K	1800K	1.00	92	85	91	86	27K65K	4200K	1.00	96	93	105	95	RGBWX18		93	91	99	64	Blue	
	3000K		95	95	104	90		6500K	0.58	91	90	101	63		RGBW36	95	93	106	84		Green

ORDERING CODE

KREST	MODEL	REFLECTOR	SYSTEM SHAPE	LENGTH ¹	OUTPUT	CCT	LENS	MOUNTING	FINISH
KREST-Krest System	CRNR-Corner	Q3-Rounded Square 3" Reflector	STR-Straight Run CMLX-Complex Shape	Overall System Length in Inches (1/16) EX: <u>1249.0625</u>	WD51SO-Standard WD51HO-High WD51VHO-Very High	18K24K-1800K-2400K 18K27K-1800K-2700K 18K30K-1800K-3000K	F-Frosted Lens	GDS-Gypsum Drywall Surface	WH-White Powder Coat
			UIC-U-Shape, Inside Corner UOC-U-Shape, Outside Corner	Leg 1 X Leg 2 X Leg 3 in Inches (1/16) EX: <u>115.0625 X 13.50 X 235.125</u>	TW51SO-Standard TW51HO-High TW51VHO-Very High	18K30K-1800K-3000K 27K65K-2700K-6500K			
			LIC-L-Shape, Inside Corner LOC-L-Shape, Outside Corner RECIC-Rectangle, Inside Corner RECOC-Rectangle, Outside Corner	Leg 1 X Leg 2 in Inches (1/16) EX: <u>115.0625 X 13.50</u>	RGBW36SO-Standard RGBW36HO-High RGB42SO-Standard RGB42HO-High	CLR-Color			
					RGBWX18SO-Standard RGBX18SO-Standard	PXSPI-Smart Pixel Control			

¹ - Length written in decimal format to the closest sixteenth of an inch.

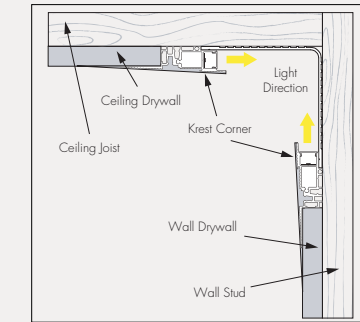


KREST CORNER APPLICATIONS



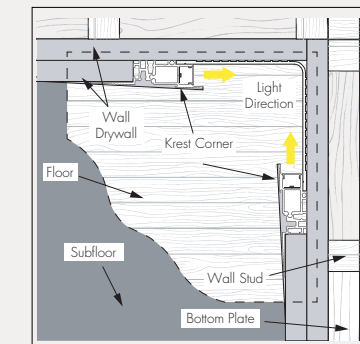
STRAIGHT CORNER

Fixture horizontally mounted on 5/8" or thicker drywall at intersection of wall and ceiling.



FLOOR-TO-CEILING

Fixture vertically mounted on 5/8" or thicker drywall. Suggested to use two layers of drywall or strapping to offset drywall.





TECHNICAL INFORMATION - STATIC WHITE OPTIONS

TYPE	Vibrant Color VC72					
	2xVC72VLO	2xVC72LO	2xVC72SO	2xVC72MO	2xVC72HO	2xVC72VHO
OUTPUT OPTIONS						
Lumens Output (3000K) <small>(with a Frosted Lens)</small>	105 lm/ft	269 lm/ft	358 lm/ft	473 lm/ft	571 lm/ft	761 lm/ft
Average Power Consumption <small>(for a 4' section)</small>	2.2 W/ft	5.6 W/ft	7.4 W/ft	9.8 W/ft	11.8 W/ft	15.8 W/ft
Efficacy	48 lm/W	48 lm/W	48 lm/W	48 lm/W	48 lm/W	48 lm/W
Max Run Length <small>(in series)</small>	28.5 ft	16 ft	14 ft	12 ft	10.5 ft	9 ft
Ambient Operating Temperature Range*	-4°F - 122°F (-20°C - 50°C)	-4°F - 122°F (-20°C - 50°C)	-4°F - 122°F (-20°C - 50°C)	-4°F - 113°F (-20°C - 45°C)	-4°F - 104°F (-20°C - 40°C)	-4°F - 86°F (-20°C - 30°C)

*Ambient Operating Temperature Range to maintain L70 of 50k+ hours in normal mounting conditions for the fixture. Exceeding Ambient Operating Temperature Range may result in decreased life/output. Consult Technical Support for specific inquiries.

TYPE	High Efficacy HE64					
	2xHE64VLO	2xHE64LO	2xHE64SO	2xHE64MO	2xHE64HO	2xHE64VHO
OUTPUT OPTIONS						
Lumens Output (3000K) <small>(with a Frosted Lens)</small>	117 lm/ft	252 lm/ft	362 lm/ft	481 lm/ft	683 lm/ft	937 lm/ft
Average Power Consumption <small>(for a 4' section)</small>	2 W/ft	3.8 W/ft	5.8 W/ft	7.6 W/ft	11.2 W/ft	14.2 W/ft
Efficacy	59 lm/W	66 lm/W	62 lm/W	63 lm/W	61 lm/W	66 lm/W
Max Run Length <small>(in series)</small>	45 ft	27.4 ft	17.4 ft	13 ft	8.5 ft	6.5 ft
Ambient Operating Temperature Range*	-4°F - 122°F (-20°C - 50°C)	-4°F - 122°F (-20°C - 50°C)	-4°F - 122°F (-20°C - 50°C)	-4°F - 122°F (-20°C - 50°C)	-4°F - 113°F (-20°C - 45°C)	-4°F - 95°F (-20°C - 35°C)

*Ambient Operating Temperature Range to maintain L70 of 50k+ hours in normal mounting conditions for the fixture. Exceeding Ambient Operating Temperature Range may result in decreased life/output. Consult Technical Support for specific inquiries.

CCT	Vibrant Color (VC72)				
	Multiplier <small>(ref. - 30K)</small>	CRI	TM-30		
			R _f	R _g	R ₉
1800K	0.50	95	94	99	86
2200K	0.66	96	94	101	95
2400K	0.90	98	96	101	91
2700K	0.93	98	96	102	93
3000K	1.00	97	94	104	99
3500K	1.04	96	94	105	97
4100K	1.05	97	95	104	96

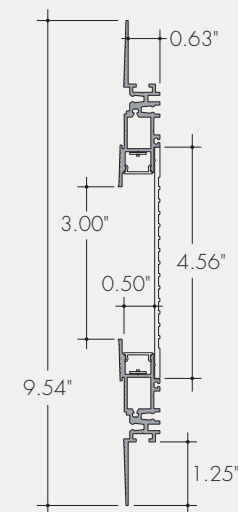
CCT	High Efficacy (HE64)				
	Multiplier <small>(ref. - 30K)</small>	CRI	TM-30		
			R _f	R _g	R ₉
2200K	0.74	94	91	96	65
2400K	0.87	94	92	97	56
2700K	0.97	94	92	100	57
3000K	1.00	93	91	99	54
3500K	1.01	95	91	99	62
4000K	1.04	95	91	99	68

KREST DUO™

Symmetric recessed mud-in slot for indirect linear illumination across wall, ceiling, and multi-planar configurations.

Core use cases:

- Wall or ceiling slot lighting
- Multi-planar lighting layouts
- Continuous indirect linear accents



ORDERING CODE

KREST	MODEL	REFLECTOR	SYSTEM SHAPE	LENGTH ¹	OUTPUT ²	CCT	LENS	MOUNTING	FINISH
KREST-Krest System	DUO-Duo	F3-Flat 3" Reflector	STR-Straight Run CMLX-Complex Shape	Overall System Length in Inches (1/16) EX: 1249.0625	VC72VLO-Very Low VC72LO-Low VC72SO-Standard VC72MO-Medium VC72HO-High VC72VHO-Very High	18K-1800K 22K-2200K 24K-2400K 27K-2700K 30K-3000K 35K-3500K 41K-4100K	F-Frosted Lens	GDS-Gypsum Drywall Surface	WH-White Powder Coat
			UIC-U-Shape, Inside Corner UOC-U-Shape, Outside Corner UFC-U-Shape, Flat Corner	Leg 1 X Leg 2 X Leg 3 in Inches (1/16) EX: 115.0625 X 13.50 X 235.125					
			LIC-L-Shape, Inside Corner LOC-L-Shape, Outside Corner LFC-L-Shape, Flat Corner RECIC-Rectangle, Inside Corner RECOC-Rectangle, Outside Corner RECFC-Rectangle, Flat Corner	Leg 1 X Leg 2 in Inches (1/16) EX: 115.0625 X 13.50					
					HE64VLO-Very Low HE64LO-Low HE64SO-Standard HE64MO-Medium HE64HO-High HE64VHO-Very High	22K-2200K 24K-2400K 27K-2700K 30K-3000K 35K-3500K 40K-4000K			

¹ - Length written in decimal format to the closest sixteenth of an inch.
² - Title 24 JAB achievable depending on Output, CCT, and Lens selections. See multiplier charts to calculate specific efficacies.



TECHNICAL INFORMATION - DYNAMIC COLOR OPTIONS

TYPE	Warm Dim			Tunable White			RGB		RGBW		Pixel	
OUTPUT OPTIONS	2x WD51 (18K-30K)			2x TW51 (27K-65K)			2x RGB42		2x RGBW36		2x RGBX18	2x RGBWX18
	SO	HO	VHO	SO	HO	VHO	SO	HO	SO	HO	SO	SO
Lumens Output (All On w/ Frosted Lens)	154 lm/ft	324 lm/ft	461 lm/ft	343 lm/ft	426 lm/ft	576 lm/ft	172 lm/ft	253 lm/ft	174 lm/ft	288 lm/ft	139 lm/ft	210 lm/ft
Average Power Consumption (for a 4' section)	4.6 W/ ft	9.5 W/ ft	13.8 W/ ft	8.8 W/ ft	10.9 W/ ft	15.2 W/ ft	9 W/ft	16.6 W/ft	8 W/ft	15.2 W/ft	9 W/ft	11.4 W/ft
Efficacy	33 lm/W	34 lm/W	33 lm/W	39 lm/W	39 lm/W	38 lm/W	19 lm/W	15 lm/W	22 lm/W	19 lm/W	15 lm/W	18 lm/W
Max Run Length (in series)	18.5 ft	11 ft	7.5 ft	14.4 ft	11 ft	7.5 ft	14ft	7ft	13ft	6.5ft	15ft	10ft
Ambient Operating Temperature Range*	-4°F - 122°F (-20°C - 50°C)	-4°F - 122°F (-20°C - 50°C)	-4°F - 95°F (-20°C - 35°C)	-4°F - 122°F (-20°C - 50°C)	-4°F - 113°F (-20°C - 45°C)	-4°F - 86°F (-20°C - 30°C)	-4°F - 122°F (-20°C - 50°C)	-4°F - 86°F (-20°C - 30°C)	-4°F - 122°F (-20°C - 50°C)	-4°F - 86°F (-20°C - 30°C)	-4°F - 122°F (-20°C - 50°C)	-4°F - 104°F (-20°C - 40°C)
Control/Dimming Protocol	0-10V, DALI, DALI2, MLV (Triac), ELV, Inc.			0-10V, DMX, DALI-DT8			DMX, DALI-DT8		DMX, DALI-DT8		SPI Protocol UCS 2903	SPI Protocol UCS 2904

*Ambient Operating Temperature Range to maintain L70 of 50k+ hours in normal mounting conditions for the fixture. Exceeding Ambient Operating Temperature Range may result in decreased life/output. Consult Technical Support for specific inquiries.

Warm Dim (WD51)						Tunable White (TW51)						RGBW (3000K)				Dominant Wavelength						
CCT	Multiplier (ref. - 18K30K)	TM-30				CCT	Multiplier (ref. - 27K65K)	TM-30				Tape	TM-30			Color	RGB42/ RGBW36	RGBX18/ RGBWX18				
		CRI	R _f	R _g	R _o			CRI	R _f	R _g	R _o		CRI	R _f	R _g				R _o			
18K24K	1800K	0.90	92	85	91	86	18K30K	1800K	0.40	92	85	91	86	RGBW36	95	93	106	84	Red	620nm	621nm	
	2400K		96	95	104	97		2400K	1.00	95	93	106	98		RGBWX18	93	91	99		64	Green	525nm
18K27K	1800K	0.97	92	85	91	86	27K65K	3000K	0.62	97	94	104	95	2700K		0.45	97	95	103	93		Blue
	2700K		96	95	104	96		4200K	1.00	96	93	105	95		6500K	0.58	91	90	101	63		

ORDERING CODE

KREST	MODEL	REFLECTOR	SYSTEM SHAPE	LENGTH ¹	OUTPUT ²	CCT	LENS	MOUNTING	FINISH
KREST-Krest System	DUO-Duo	F3-Flat 3" Reflector	STR-Straight Run CMLX-Complex Shape	Overall System Length in Inches (1/16) EX: <u>1249.0625</u>	WD51SO-Standard WD51HO-High WD51VHO-Very High	18K24K-1800K - 2400K 18K27K-1800K - 2700K 18K30K-1800K - 3000K	F-Frosted Lens	GDS-Gypsum Drywall Surface	WH-White Powder Coat
			UIC-U-Shape, Inside Corner UOC-U-Shape, Outside Corner UFC-U-Shape, Flat Corner	Leg 1 X Leg 2 X Leg 3 in Inches (1/16) EX: <u>115.0625 X 13.50 X 235.125</u>	TW51SO-Standard TW51HO-High TW51VHO-Very High	18K30K-1800K - 3000K 27K65K-2700K - 6500K			
			LIC-L-Shape, Inside Corner LOC-L-Shape, Outside Corner LFC-L-Shape, Flat Corner RECIC-Rectangle, Inside Corner RECOC-Rectangle, Outside Corner RECFC-Rectangle, Flat Corner	Leg 1 X Leg 2 in Inches (1/16) EX: <u>115.0625 X 13.50</u>	RGBW36SO-Standard RGBW36HO-High RGB42SO-Standard RGB42HO-High	CLR-Color			
					RGBWX18SO-Standard RGBX18SO-Standard	PXSPI-Smart Pixel Control			

¹ - Length written in decimal format to the closest sixteenth of an inch.

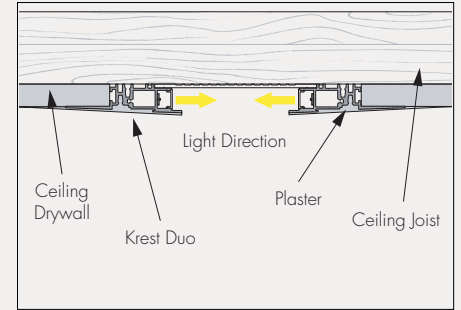


KREST DUO APPLICATIONS



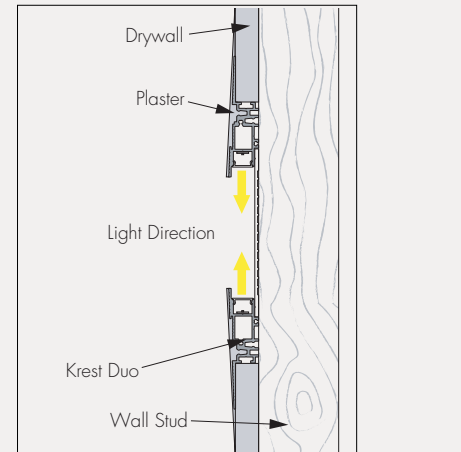
INDIRECT RECESSED SLOT (CEILING)

Fixture mounted on 5/8" or thicker ceiling drywall. If mounted between joists, wood blocking may be required.



INDIRECT RECESSED SLOT (WALL)

Fixture mounted either vertically or horizontally along 5/8" or thicker drywall. If mounted vertically between studs, wood blocking may be required.





TECHNICAL INFORMATION - STATIC WHITE OPTIONS

TYPE	Vibrant Color VC72					
	VC72VLO	VC72LO	VC72SO	VC72MO	VC72HO	VC72VHO
OUTPUT OPTIONS						
Lumens Output (3000K) (with a Frosted Lens)	58 lm/ft	147 lm/ft	196 lm/ft	259 lm/ft	314 lm/ft	418 lm/ft
Average Power Consumption (for a 4" section)	1.1 W/ft	2.8 W/ft	3.7 W/ft	4.9 W/ft	5.9 W/ft	7.9 W/ft
Efficacy	53 lm/W	53 lm/W	53 lm/W	53 lm/W	53 lm/W	53 lm/W
Max Run Length (in series)	56.9 ft	32 ft	28 ft	24 ft	21 ft	18 ft
Ambient Operating Temperature Range*	-4°F - 122°F (-20°C - 50°C)	-4°F - 122°F (-20°C - 50°C)	-4°F - 122°F (-20°C - 50°C)	-4°F - 113°F (-20°C - 45°C)	-4°F - 104°F (-20°C - 40°C)	-4°F - 86°F (-20°C - 30°C)

*Ambient Operating Temperature Range to maintain L70 of 50k+ hours in normal mounting conditions for the fixture. Exceeding Ambient Operating Temperature Range may result in decreased life/output. Consult Technical Support for specific inquiries.

TYPE	High Efficacy HE64					
	HE64VLO	HE64LO	HE64SO	HE64MO	HE64HO	HE64VHO
OUTPUT OPTIONS						
Lumens Output (3000K) (with a Frosted Lens)	64 lm/ft	138 lm/ft	198 lm/ft	264 lm/ft	375 lm/ft	514 lm/ft
Average Power Consumption (for a 4" section)	1 W/ft	1.9 W/ft	2.9 W/ft	3.8 W/ft	5.6 W/ft	7.1 W/ft
Efficacy	64 lm/W	73 lm/W	68 lm/W	69 lm/W	67 lm/W	72 lm/W
Max Run Length (in series)	90 ft	54.9 ft	34.9 ft	26 ft	17 ft	13 ft
Ambient Operating Temperature Range*	-4°F - 122°F (-20°C - 50°C)	-4°F - 122°F (-20°C - 50°C)	-4°F - 122°F (-20°C - 50°C)	-4°F - 122°F (-20°C - 50°C)	-4°F - 113°F (-20°C - 45°C)	-4°F - 95°F (-20°C - 35°C)

*Ambient Operating Temperature Range to maintain L70 of 50k+ hours in normal mounting conditions for the fixture. Exceeding Ambient Operating Temperature Range may result in decreased life/output. Consult Technical Support for specific inquiries.

CCT	Multiplier (ref. - 30K)	Vibrant Color (VC72)			
		CRI	TM-30		
			R _f	R _g	R ₉
1800K	0.50	95	94	99	86
2200K	0.66	96	94	101	95
2400K	0.90	98	96	101	91
2700K	0.93	98	96	102	93
3000K	1.00	97	94	104	99
3500K	1.04	96	94	105	97
4100K	1.05	97	95	104	96

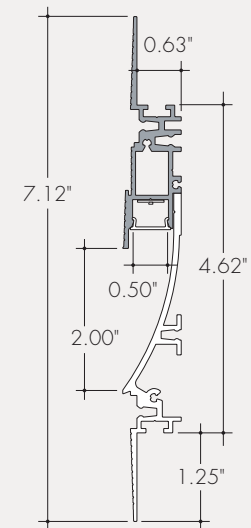
CCT	Multiplier (ref. - 30K)	High Efficacy (HE64)			
		CRI	TM-30		
			R _f	R _g	R ₉
2200K	0.74	94	91	96	65
2400K	0.87	94	92	97	56
2700K	0.97	94	92	100	57
3000K	1.00	93	91	99	54
3500K	1.01	95	91	99	62
4000K	1.04	95	91	99	68

KREST REVEAL™

Recessed mud-in reveal with a curved reflector that creates a smooth, gradient line of indirect light.

Core use cases:

- Wall reveal conditions
- Accent lines within drywall planes
- Continuous architectural light transitions



ORDERING CODE

KREST	MODEL	REFLECTOR	SYSTEM SHAPE	LENGTH ¹	OUTPUT ²	CCT	LENS	MOUNTING	FINISH
KREST-Krest System	RVL-Reveal	RS3-Reveal Scoop, 3" Reflector	STR-Straight Run CMLX-Complex Shape	Overall System Length in Inches (1/16) EX: <u>1249.0625</u>	VC72VLO-Very Low VC72LO-Low VC72SO-Standard VC72MO-Medium VC72HO-High VC72VHO-Very High	18K-1800K 22K-2200K 24K-2400K 27K-2700K 30K-3000K 35K-3500K 41K-4100K	F-Frosted Lens	GDS-Gypsum Drywall Surface	WH-White Powder Coat
			UIC-U-Shape, Inside Corner UOC-U-Shape, Outside Corner	Leg 1 X Leg 2 X Leg 3 in Inches (1/16) EX: <u>115.0625 X 13.50 X 235.125</u>					
			LIC-L-Shape, Inside Corner LOC-L-Shape, Outside Corner RECIC-Rectangle, Inside Corner RECOC-Rectangle, Outside Corner	Leg 1 X Leg 2 in Inches (1/16) EX: <u>115.0625 X 13.50</u>					
					HE64VLO-Very Low HE64LO-Low HE64SO-Standard HE64MO-Medium HE64HO-High HE64VHO-Very High	22K-2200K 24K-2400K 27K-2700K 30K-3000K 35K-3500K 40K-4000K			

¹ - Length written in decimal format to the closest sixteenth of an inch.
² - Title 24 JA8 achievable depending on Output, CCT, and Lens selections. See multiplier charts to calculate specific efficacies.



TECHNICAL INFORMATION - DYNAMIC COLOR OPTIONS

TYPE	Warm Dim			Tunable White			RGB		RGBW		Pixel	
	WD51 (18K-30K)			TW51 (27K-65K)			RGB42		RGBW36		RGBX18	RGBWX18
	SO	HO	VHO	SO	HO	VHO	SO	HO	SO	HO	SO	SO
Lumens Output (All On w/ Frosted Lens)	85 lm/ft	178 lm/ft	253 lm/ft	188 lm/ft	234 lm/ft	316 lm/ft	95 lm/ft	139 lm/ft	95 lm/ft	158 lm/ft	76 lm/ft	115 lm/ft
Average Power Consumption (for a 4' section)	2.3 W/ ft	4.7 W/ ft	6.9 W/ ft	4.4 W/ ft	5.4 W/ ft	7.6 W/ ft	4.5 W/ft	8.3 W/ft	4 W/ft	7.6 W/ft	4.5 W/ft	5.7 W/ft
Efficacy	37 lm/W	38 lm/W	37 lm/W	43 lm/W	43 lm/W	42 lm/W	21 lm/W	17 lm/W	24 lm/W	21 lm/W	17 lm/W	20 lm/W
Max Run Length (in series)	37 ft	22 ft	15 ft	28.9 ft	22 ft	15 ft	28ft	14ft	26ft	13ft	30ft	20ft
Ambient Operating Temperature Range*	-4°F - 122°F (-20°C - 50°C)	-4°F - 122°F (-20°C - 50°C)	-4°F - 95°F (-20°C - 35°C)	-4°F - 122°F (-20°C - 50°C)	-4°F - 113°F (-20°C - 45°C)	-4°F - 86°F (-20°C - 30°C)	-4°F - 122°F (-20°C - 50°C)	-4°F - 86°F (-20°C - 30°C)	-4°F - 122°F (-20°C - 50°C)	-4°F - 86°F (-20°C - 30°C)	-4°F - 122°F (-20°C - 50°C)	-4°F - 104°F (-20°C - 40°C)
Control/Dimming Protocol	0-10V, DALI, DALI2, MLV (Triac), ELV, Inc.			0-10V, DMX, DALI-DT8			DMX, DALI-DT8		DMX, DALI-DT8		SPI Protocol UCS 2903	SPI Protocol UCS 2904

*Ambient Operating Temperature Range to maintain L70 of 50k+ hours in normal mounting conditions for the fixture. Exceeding Ambient Operating Temperature Range may result in decreased life/output. Consult Technical Support for specific inquiries.

Warm Dim (WD51)						Tunable White (TW51)						RGBW (3000K)					Dominant Wavelength					
CCT	Multiplier (ref. - 18K30K)	TM-30				CCT	Multiplier (ref. - 27K65K)	TM-30				Tape	TM-30				Color	RGB42/ RGBW36	RGBX18/ RGBWX18			
		CRI	R _f	R _g	R _g			CRI	R _f	R _g	R _g		CRI	R _f	R _g	R _g				Red	Green	Blue
18K24K	1800K	0.90	92	85	91	86	18K30K	1800K	0.40	92	85	91	86	RGBW36	95	93	106	84	Red	620nm	621nm	
	2400K		96	95	104	97		2400K	1.00	95	93	106	98		RGBWX18	93	91	99		64	Green	525nm
18K27K	1800K	0.97	92	85	91	86	27K65K	3000K	0.62	97	94	104	95	2700K		0.45	97	95	103	93		Blue
	2700K		96	95	104	96		4200K	1.00	96	93	105	95		6500K	0.58	91	90	101	63		

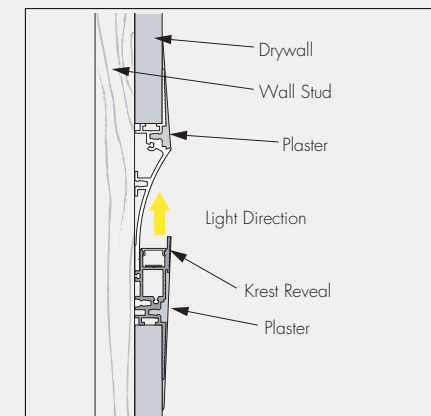
ORDERING CODE

KREST	MODEL	REFLECTOR	SYSTEM SHAPE	LENGTH ¹	OUTPUT ²	CCT	LENS	MOUNTING	FINISH
KREST-Krest System	RVL-Reveal	RS3-Reveal Scoop, 3" Reflector	STR-Straight Run CMLX-Complex Shape	Overall System Length in Inches (1/16) EX: <u>1249.0625</u>	WD51SO-Standard WD51HO-High WD51VHO-Very High	18K24K-1800K - 2400K 18K27K-1800K - 2700K 18K30K-1800K - 3000K	F-Frosted Lens	GDS-Gypsum Drywall Surface	WH-White Powder Coat
			UIC-U-Shape, Inside Corner UOC-U-Shape, Outside Corner	Leg 1 X Leg 2 X Leg 3 in Inches (1/16) EX: <u>115.0625 X 13.50 X 235.125</u>	TW51SO-Standard TW51HO-High TW51VHO-Very High	18K30K-1800K - 3000K 27K65K-2700K - 6500K			
			LIC-L-Shape, Inside Corner LOC-L-Shape, Outside Corner RECIC-Rectangle, Inside Corner RECOG-Rectangle, Outside Corner	Leg 1 X Leg 2 in Inches (1/16) EX: <u>115.0625 X 13.50</u>	RGBW36SO-Standard RGBW36HO-High RGB42SO-Standard RGB42HO-High	CLR-Color			
					RGBWX18SO-Standard RGBX18SO-Standard	PXSPI-Smart Pixel Control			

¹ - Length written in decimal format to the closest sixteenth of an inch.

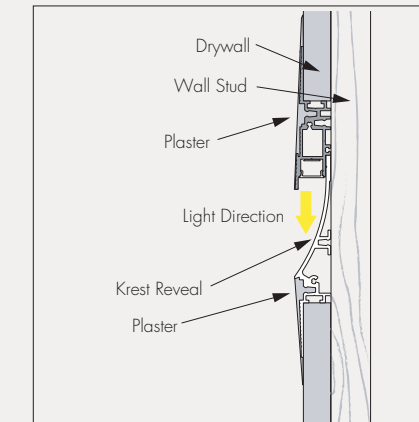


KREST REVEAL APPLICATIONS



UPLIGHT POSITION

Fixture mounted on 5/8" or thicker drywall.



DOWNLIGHT POSITION

Fixture mounted on 5/8" or thicker drywall.



TECHNICAL INFORMATION - STATIC WHITE OPTIONS

TYPE	Vibrant Color VC72						
	VC72VLO	VC72LO	VC72SO	VC72MO	VC72HO	VC72VHO	VC72XHO
OUTPUT OPTIONS							
Lumens Output (3000K) (with a Frosted Lens)	58 lm/ft	147 lm/ft	196 lm/ft	259 lm/ft	314 lm/ft	418 lm/ft	498 lm/ft
Average Power Consumption (for a 4' section)	1.1 W/ft	2.8 W/ft	3.7 W/ft	4.9 W/ft	5.9 W/ft	7.9 W/ft	9.9 W/ft
Efficacy	53 lm/W	53 lm/W	53 lm/W	53 lm/W	53 lm/W	53 lm/W	50 lm/W
Max Run Length (in series)	56.9 ft	32 ft	28 ft	24 ft	21 ft	18 ft	12 ft
Ambient Operating Temperature Range*	-4°F - 122°F (-20°C - 50°C)	-4°F - 122°F (-20°C - 50°C)	-4°F - 122°F (-20°C - 50°C)	-4°F - 122°F (-20°C - 50°C)	-4°F - 122°F (-20°C - 50°C)	-4°F - 113°F (-20°C - 45°C)	-4°F - 104°F (-20°C - 40°C)

*Ambient Operating Temperature Range to maintain L70 of 50k+ hours in normal mounting conditions for the fixture. Exceeding Ambient Operating Temperature Range may result in decreased life/output. Consult Technical Support for specific inquiries.

TYPE	High Efficacy HE64						
	HE64VLO	HE64LO	HE64SO	HE64MO	HE64HO	HE64VHO	HE64XHO
OUTPUT OPTIONS							
Lumens Output (3000K) (with a Frosted Lens)	64 lm/ft	138 lm/ft	198 lm/ft	264 lm/ft	375 lm/ft	514 lm/ft	619 lm/ft
Average Power Consumption (for a 4' section)	1 W/ft	1.9 W/ft	2.9 W/ft	3.8 W/ft	5.6 W/ft	7.1 W/ft	8.9 W/ft
Efficacy	64 lm/W	73 lm/W	68 lm/W	69 lm/W	67 lm/W	72 lm/W	70 lm/W
Max Run Length (in series)	90 ft	54.9 ft	34.9 ft	26 ft	17 ft	13 ft	10.3 ft
Ambient Operating Temperature Range*	-4°F - 122°F (-20°C - 50°C)	-4°F - 122°F (-20°C - 50°C)	-4°F - 122°F (-20°C - 50°C)	-4°F - 122°F (-20°C - 50°C)	-4°F - 122°F (-20°C - 50°C)	-4°F - 122°F (-20°C - 50°C)	-4°F - 104°F (-20°C - 40°C)

*Ambient Operating Temperature Range to maintain L70 of 50k+ hours in normal mounting conditions for the fixture. Exceeding Ambient Operating Temperature Range may result in decreased life/output. Consult Technical Support for specific inquiries.

CCT	Multiplier (ref. - 30K)	Vibrant Color (VC72)			
		CRI	TM-30		
			R _f	R _g	R ₉
1800K	0.50	95	94	99	86
2200K	0.66	96	94	101	95
2400K	0.90	98	96	101	91
2700K	0.93	98	96	102	93
3000K	1.00	97	94	104	99
3500K	1.04	96	94	105	97
4100K	1.05	97	95	104	96

CCT	Multiplier (ref. - 30K)	High Efficacy (HE64)			
		CRI	TM-30		
			R _f	R _g	R ₉
2200K	0.74	94	91	96	65
2400K	0.87	94	92	97	56
2700K	0.97	94	92	100	57
3000K	1.00	93	91	99	54
3500K	1.01	95	91	99	62
4000K	1.04	95	91	99	68

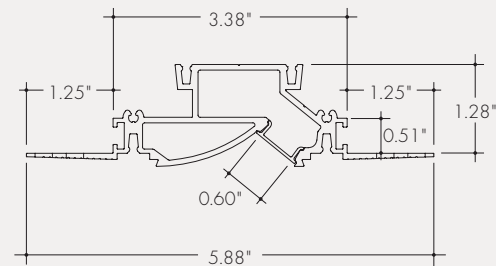


KREST WASH™

Mud-in recessed fixture with a hyperbolic reflector that delivers uniform illumination without a ceiling shadowline.

Core use cases:

- Wall washing
- Vertical surface illumination
- Gallery, corridor, and feature wall applications



ORDERING CODE

KREST	MODEL	REFLECTOR	SYSTEM SHAPE	LENGTH ¹	OUTPUT ²	CCT	LENS	MOUNTING	FINISH
KREST-Krest System	WASH-Krest Wall Wash	H1-Hyperbolic 1" Reflector	STR-Straight Run CMLX-Complex Shape	Overall System Length in Inches (1/16) EX: <u>1249.0625</u>	VC72VLO-Very Low VC72LO-Low VC72SO-Standard VC72MO-Medium VC72HO-High VC72VHO-Very High VC72XHO-Extreme	18K-1800K 22K-2200K 24K-2400K 27K-2700K 30K-3000K 35K-3500K 41K-4100K	F-Frosted Lens	GDS-Gypsum Drywall Surface	WH-White Powder Coat
			UIC-U-Shape, Inside Corner UOC-U-Shape, Outside Corner	Leg 1 X Leg 2 X Leg 3 in Inches (1/16) EX: <u>115.0625 X 13.50 X 235.125</u>	HE64VLO-Very Low HE64LO-Low HE64SO-Standard HE64MO-Medium HE64HO-High HE64VHO-Very High HE64XHO-Extreme	22K-2200K 24K-2400K 27K-2700K 30K-3000K 35K-3500K 40K-4000K			
			LIC-L-Shape, Inside Corner LOC-L-Shape, Outside Corner RECIC-Rectangle, Inside Corner RECOC-Rectangle, Outside Corner	Leg 1 X Leg 2 in Inches (1/16) EX: <u>115.0625 X 13.50</u>					

¹ - Length written in decimal format to the closest sixteenth of an inch.
² - Title 24 JA8 achievable depending on Output, CCT, and Lens selections. See multiplier charts to calculate specific efficacies.



TECHNICAL INFORMATION - DYNAMIC COLOR OPTIONS

TYPE	Warm Dim			Tunable White				RGB		RGBW		Pixel	
	WD51 (18K-30K)			TW51 (27K-65K)				RGB42		RGBW36		RGBX18	RGBWX18
	SO	HO	VHO	SO	HO	VHO	X2VHO	SO	HO	SO	HO	SO	SO
Lumens Output (All On w/ Frosted Lens)	85 lm/ft	178 lm/ft	253 lm/ft	188 lm/ft	234 lm/ft	316 lm/ft	415 lm/ft	95 lm/ft	139 lm/ft	95 lm/ft	158 lm/ft	76 lm/ft	115 lm/ft
Average Power Consumption (for a 4' section)	2.3 W/ ft	4.7 W/ ft	6.9 W/ ft	4.4 W/ ft	5.4 W/ ft	7.6 W/ ft	9.5 W/ ft	4.5 W/ft	8.3 W/ft	4 W/ft	7.6 W/ft	4.5 W/ft	5.7 W/ft
Efficacy	37 lm/W	38 lm/W	37 lm/W	43 lm/W	43 lm/W	42 lm/W	44 lm/W	21 lm/W	17 lm/W	24 lm/W	21 lm/W	17 lm/W	20 lm/W
Max Run Length (in series)	37 ft	22 ft	15 ft	28.9 ft	22 ft	15 ft	11.9 ft	28ft	14ft	26ft	13ft	30ft	20ft
Ambient Operating Temperature Range*	-4°F - 122°F (-20°C - 50°C)	-4°F - 122°F (-20°C - 50°C)	-4°F - 122°F (-20°C - 50°C)	-4°F - 122°F (-20°C - 50°C)	-4°F - 122°F (-20°C - 50°C)	-4°F - 113°F (-20°C - 45°C)	-4°F - 104°F (-20°C - 40°C)	-4°F - 122°F (-20°C - 50°C)	-4°F - 113°F (-20°C - 45°C)	-4°F - 122°F (-20°C - 50°C)	-4°F - 113°F (-20°C - 45°C)	-4°F - 122°F (-20°C - 50°C)	-4°F - 122°F (-20°C - 50°C)
Control/Dimming Protocol	0-10V, DALI, DALI2, MLV (Triac), ELV, Inc.			0-10V, DMX, DALI-DT8				DMX, DALI-DT8		DMX, DALI-DT8		SPI Protocol UCS 2903	SPI Protocol UCS 2904

*Ambient Operating Temperature Range to maintain L70 of 50k+ hours in normal mounting conditions for the fixture. Exceeding Ambient Operating Temperature Range may result in decreased life/output. Consult Technical Support for specific inquiries.

Warm Dim (WD51)						Tunable White (TW51)						RGBW (3000K)				Dominant Wavelength				
CCT	Multiplier (ref. - 18K30K)	TM-30				CCT	Multiplier (ref. - 27K65K)	TM-30				Tape	TM-30				Color	RGB42/ RGBW36	RGBX18/ RGBWX18	
		CRI	R _f	R _g	R _o			CRI	R _f	R _g	R _o		CRI	R _f	R _g	R _o		Red	Green	Blue
18K24K	1800K	0.90	92	85	91	86	18K30K	1800K	0.40	92	85	91	86	RGBW36	95	93	106	84	620nm	621nm
	2400K		96	95	104	97		2400K	1.00	95	93	106	98		93	91	99	64	525nm	519nm
18K27K	1800K	0.97	92	85	91	86	27K65K	3000K	0.62	97	94	104	95	RGBWX18	93	91	99	64	467nm	465nm
	2700K		96	95	104	96		2700K	0.45	97	95	103	93							
18K30K	1800K	1.00	92	85	91	86	6500K	4200K	1.00	96	93	105	95							
	3000K		95	95	104	90														

ORDERING CODE

KREST	MODEL	REFLECTOR	SYSTEM SHAPE	LENGTH ¹	OUTPUT ²	CCT	LENS	MOUNTING	FINISH
KREST-Krest System	WASH-Krest Wall Wash	H1-Hyperbolic 1" Reflector	STR-Straight Run CMLX-Complex Shape	Overall System Length in Inches (1/16) EX: <u>1249.0625</u>	WD51SO-Standard WD51HO-High WD51VHO-Very High	18K24K-1800K-2400K 18K27K-1800K-2700K 18K30K-1800K-3000K	F-Frosted Lens	GDS-Gypsum Drywall Surface	WH-White Powder Coat
			UIC-U-Shape, Inside Corner UOC-U-Shape, Outside Corner	Leg 1 X Leg 2 X Leg 3 in Inches (1/16) EX: <u>115.0625 X 13.50 X 235.125</u>	TW51SO-Standard TW51HO-High TW51VHO-Very High TW51XVHO-Very High	18K30K-1800K-3000K 27K65K-2700K-6500K			
			LIC-L-Shape, Inside Corner LOC-L-Shape, Outside Corner RECIC-Rectangle, Inside Corner RECOC-Rectangle, Outside Corner	Leg 1 X Leg 2 in Inches (1/16) EX: <u>115.0625 X 13.50</u>	RGBW36SO-Standard RGBW36HO-High RGB42SO-Standard RGB42HO-High	CLR-Color			
					RGBWX18SO-Standard RGBX18SO-Standard	PXSPI-Smart Pixel Control			

¹ - Length written in decimal format to the closest sixteenth of an inch.

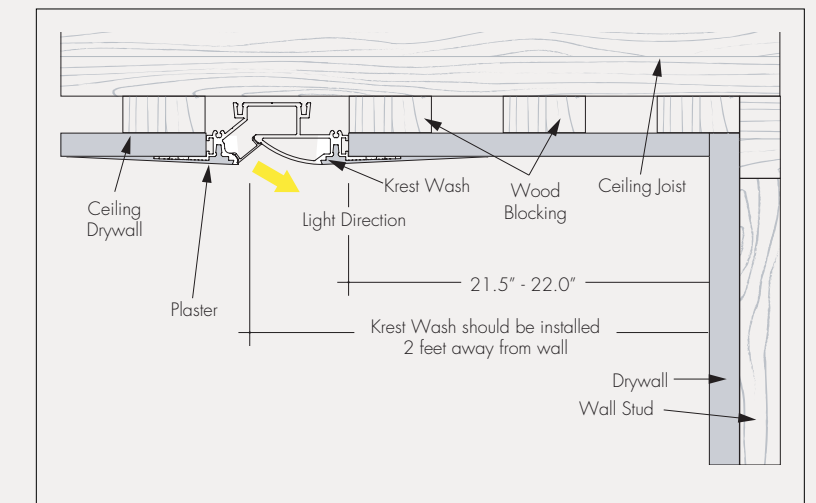


KREST WASH APPLICATIONS



WALL WASH

Fixture mounted on 5/8" or thicker ceiling drywall. Suggested to use wood blocking. Recommended spacing is 2ft from the wall.



Let's sketch

The Luminii Promise

Luminii's light shines brighter thanks to the ways we collaborate with our clients. We know that project success is only possible when we design with the end user in mind.

TECHNICAL DRAWINGS

Luminii provides easy-to-follow spec sheets, shop drawings, and IES files to customers.

JOB SITE SIMPLIFICATION

Experience easy-to-identify labeling, install instructions, and shipping details supporting a productive and seamless job site experience.

AUTOMATION ENHANCEMENTS

Luminii sends automated emails every step of the way— Automated order confirmations, ESD updates, tracking, packing lists, and invoices

STRONG SUPPLY CHAIN SYSTEMS

Luminii's systems give us excellent visibility to supply and demand which aids in highly strategic forecasting and confidence to deliver

SIMPLIFIED QUOTING

Luminii takes the guesswork out of quoting with easy-to-read quotes, fast turnaround, and a high level of accuracy

FAST SHIPPING

Experience Luminii's quick shipping with FAST LANE for strip and extrusions or express by Luminii for LED strip light reels and more.



Let's sketch

Let's sketch



RoHS



Declare

7 YEAR
WARRANTY

CONTACT US

224.333.6033
info@luminii.com
luminii.com

NILES OFFICE

7777 Merrimac Ave.
Niles, IL 60714
403.216.7043

COOKEVILLE OFFICE

1093 Volunteer Dr.
Cookeville, TN 38506
931.528.1052

CALGARY OFFICE

302 50 Ave SE, Calgary, AB
T2G 2A9 Canada
403.216.7043

LONDON OFFICE

42 Riverside Road London,
United Kingdom SW17 0BA
020.9847.6616



LUMINII.COM



EXPLORE KREST