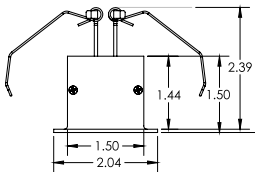


Features

- Kilo Recessed System is a turn-key solution for complex layouts and runs - coming with pre-welded corners for installation ease.
- Shipped as field configurable strip and channel
- Dot free even illumination with frosted lens
- Suitable for installation in the storage area of a clothes closet on outputs 5.7W/ft or less, NEC compliant for the USA only.
- Vibrant Color options offer premium color quality with R9 values up to 98
- High Efficacy options offer best in class output and efficacy with over 1710 lm/ft and up to 121 lm/W
- Average Life (L70): 50,000hrs
- 7 year warranty



Finish Options (see page 3 for additional information)

- Base Silver Anodized
- Powder Coat Black Bronze White



Technical Information

TYPE	Vibrant Color VC72					
	2x VC72VLO	2x VC72LO	2x VC72SO	2x VC72MO	2x VC72HO	2x VC72VHO
OUTPUT OPTIONS						
Lumens Output (3000K) (with a Frosted Lens)	193 lm/ft	491 lm/ft	654 lm/ft	864 lm/ft	1045 lm/ft	1392 lm/ft
Average Power Consumption (for a 4' section)	2.2 W/ft	5.6 W/ft	7.4 W/ft	9.8 W/ft	11.8 W/ft	15.8 W/ft
Efficacy	88 lm/W	88 lm/W	88 lm/W	88 lm/W	89 lm/W	88 lm/W
Max Run Length (individual fixture)	28.5 ft	16 ft	14 ft	12 ft	10.5 ft	9 ft
Ambient Operating Temperature Range*	-4°F - 122°F (-20°C - 50°C)		-4°F - 113°F (-20°C - 45°C)	-4°F - 104°F (-20°C - 40°C)	-4°F - 95°F (-20°C - 35°C)	-4°F - 86°F (-20°C - 30°C)

* Ambient Operating Temperature Range to maintain L70 of 50k+ hours in normal mounting conditions for the fixture. Exceeding Ambient Operating Temperature Range may result in decreased life/output. Consult Technical Support for specific inquiries.

TYPE	High Efficacy HE64					
	2x HE64VLO	2x HE64LO	2x HE64SO	2x HE64MO	2x HE64HO	2x HE64VHO
OUTPUT OPTIONS						
Lumens Output (3000K) (with a Frosted Lens)	214 lm/ft	461 lm/ft	661 lm/ft	879 lm/ft	1249 lm/ft	1713 lm/ft
Average Power Consumption (for a 4' section)	2 W/ft	3.8 W/ft	5.8 W/ft	7.6 W/ft	11.2 W/ft	14.2 W/ft
Efficacy	107 lm/W	121 lm/W	114 lm/W	116 lm/W	112 lm/W	121 lm/W
Max Run Length (individual fixture)	45 ft	27.4 ft	17.4 ft	13 ft	8.5 ft	6.5 ft
Ambient Operating Temperature Range*	-4°F - 122°F (-20°C - 50°C)		-4°F - 113°F (-20°C - 45°C)		-4°F - 95°F (-20°C - 35°C)	-4°F - 86°F (-20°C - 30°C)

* Ambient Operating Temperature Range to maintain L70 of 50k+ hours in normal mounting conditions for the fixture. Exceeding Ambient Operating Temperature Range may result in decreased life/output. Consult Technical Support for specific inquiries.

CCT	Multiplier (ref. - 30K)	TM-30			
		CRI	R _f	R _g	R ₉
1800K	0.50	95	94	99	86
2200K	0.66	96	94	101	95
2400K	0.90	98	96	101	91
2700K	0.93	98	96	102	93
3000K	1.00	97	94	104	99
3500K	1.04	96	94	105	97
4100K	1.05	97	95	104	96

CCT	Multiplier (ref. - 30K)	High Efficacy (HE64)			
		CRI	R _f	R _g	R ₉
2200K	0.74	94	91	96	65
2400K	0.87	94	92	97	56
2700K	0.97	94	92	100	57
3000K	1.00	93	91	99	54
3500K	1.01	95	91	99	62
4000K	1.04	95	91	99	68

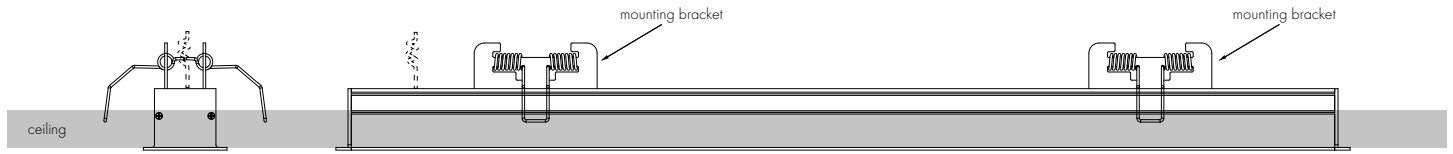
Ordering Code

MODEL	SHAPE	LENGTH ¹	OUTPUT ²	CCT	LENS	MOUNTING	FINISH
KR-Kilo Recessed	STR- Straight Run CMLX- Complex Shape	Overall System Length in Inches (1/16) EX: 1249.0625	VC72VLO - Very Low VC72LO - Low VC72SO - Standard VC72MO - Medium VC72HO - High VC72VHO - Very High	18K- 1800K 22K- 2200K 24K- 2400K 27K- 2700K 30K- 3000K 35K- 3500K 41K- 4100K	F- Frosted C- Clear	GS- Gypsum Mounting Clip	BASE SA- Silver Anodized POWDER COAT BK- Black BZ- Bronze WH- White
	UIC- U-Shape, Inside Corner UOC- U-Shape, Outside Corner UFC- U-Shape, Flat Corner	Leg 1 X Leg 2 X Leg 3 in Inches (1/16) EX: 115.0625 X 13.50 X 235.125					
	LIC- L-Shape, Inside Corner LOC- L-Shape, Outside Corner LFC- L-Shape, Flat Corner RECIC- Rectangle, Inside Corner RECOC- Rectangle, Outside Corner RECFC- Rectangle, Flat Corner	Leg 1 X Leg 2 in Inches (1/16) EX: 115.0625 X 13.50		HE64VLO - Very Low HE64LO - Low HE64SO - Standard HE64MO - Medium HE64HO - High HE64VHO - Very High	22K- 2200K 24K- 2400K 27K- 2700K 30K- 3000K 35K- 3500K 40K- 4000K		

1 - Length written in decimal format to the closest sixteenth of an inch.

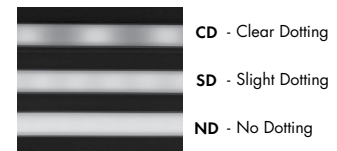
2 - Title 24 J88 achievable depending on Output, CCT, and Lens selections. See multiplier charts to calculate specific efficacies. 3 - Comes with a continuous roll lens spanning multiple Kilo Straight Extrusion pieces. 4 - Non Base finishes may have extended lead times. Custom RALs are available, please consult Inside Sales with specific request.

Applications

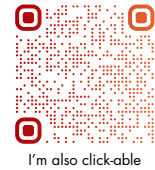


Light Transmission and Dotting

Output Options	Lens/Accessory							
	Clear Lens				Frosted Lens			
Dimming Level	100%	50%	10%	1%	100%	50%	10%	1%
VC72VLO	CD	CD	CD	CD	ND	ND	ND	ND
VC72LO	CD	CD	CD	CD	ND	ND	ND	ND
VC72SO	CD	CD	CD	CD	ND	ND	ND	ND
VC72MO	CD	CD	CD	CD	ND	ND	ND	ND
VC72HO	CD	CD	CD	CD	ND	ND	ND	ND
VC72VHO	CD	CD	CD	CD	ND	ND	ND	ND
HE64VLO	CD	CD	CD	CD	ND	ND	ND	ND
HE64LO	CD	CD	CD	CD	ND	ND	ND	ND
HE64SO	CD	CD	CD	CD	ND	ND	ND	ND
HE64MO	CD	CD	CD	CD	ND	ND	ND	ND
HE64HO	CD	CD	CD	CD	ND	ND	ND	ND
HE64VHO	CD	CD	CD	CD	ND	ND	ND	ND
Transmission Percentage	114%				100%			



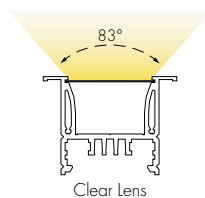
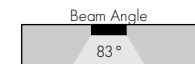
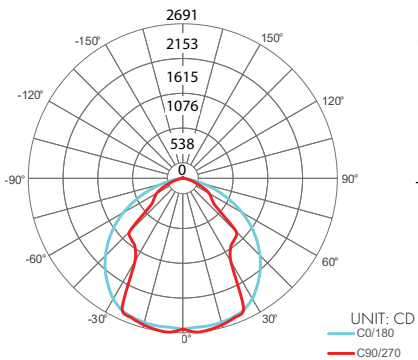
Use complete Dotting Chart Tool online for more dotting information



Photometry

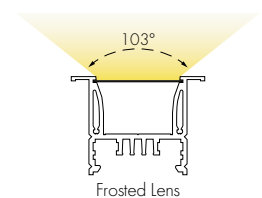
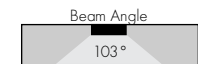
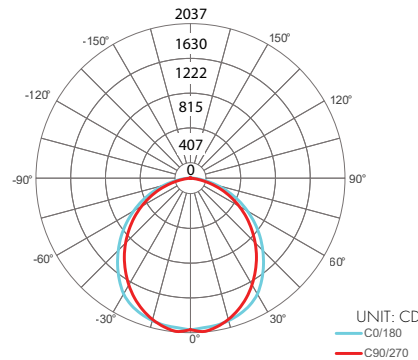
KR-48-VC72VHO-30K-C

Kilo Recessed, 4ft, VHO, 3000K, Clear Lens

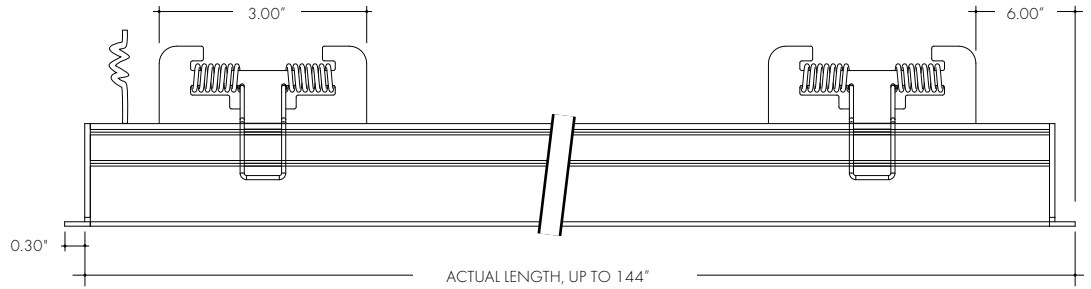
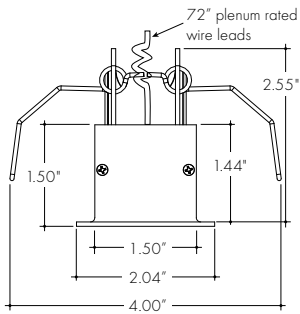


KR-48-VC72VHO-30K-F

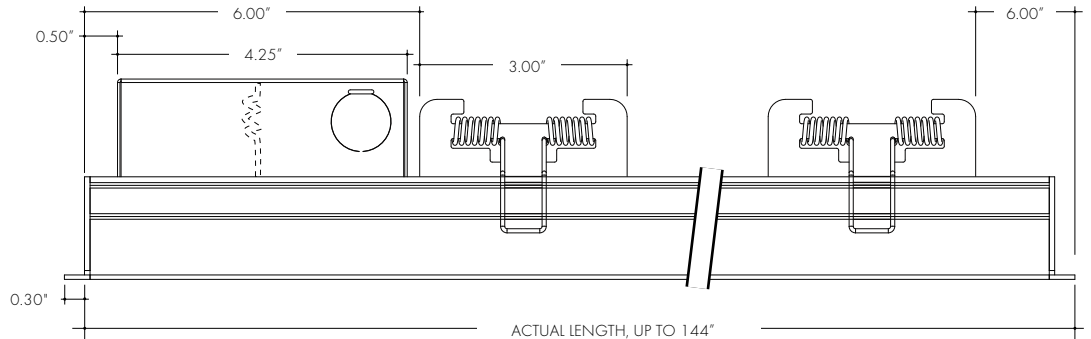
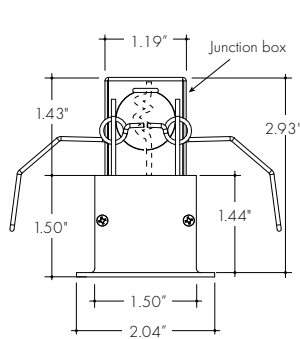
Kilo Recessed, 4ft, VHO, 3000K, Frosted Lens



Product Dimensions



Product Dimensions if using Junction Box Accessory



Finish Options

- Finish options are available in a wide variety, allowing for complete customization of style and aesthetic.
- Non Base finishes may have extended lead times and price adder.
- Custom RALs are available, please consult Inside Sales with specific request.

Silver Anodized Base



Silver Anodized is a soft silver with a clear finish.

Black Powder Coat



Black is a true deep black with a glossy finish.

Bronze Powder Coat



Bronze is a rich, dark brown with a satin finish.

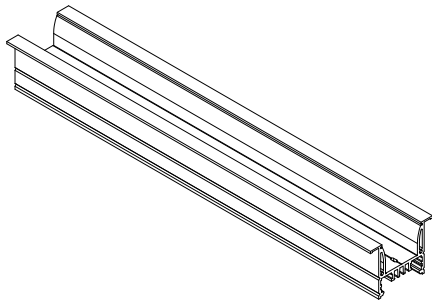
White Powder Coat



White is a polar bright white and field paintable.

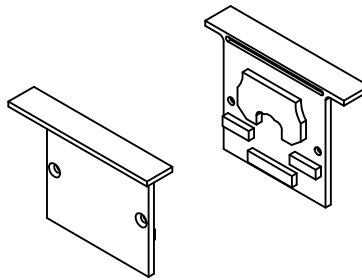
Kilo Recessed System - What's Included

A - Kilo Recessed Straight Extrusion



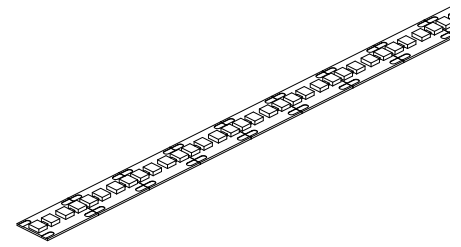
Included with Kilo Recessed System, the Kilo Recessed Straight extrusion is the main architectural housing for the majority of the system run. It includes LED Strip, a joiner pair, and gypsum surface mounting brackets. Provided in lengths of 48"/96"/144" long.

B - Kilo Recessed Endcap



Included with the Kilo Recessed System, end caps matching the fixture finish attach directly to the Kilo Recessed Straight Extrusion.

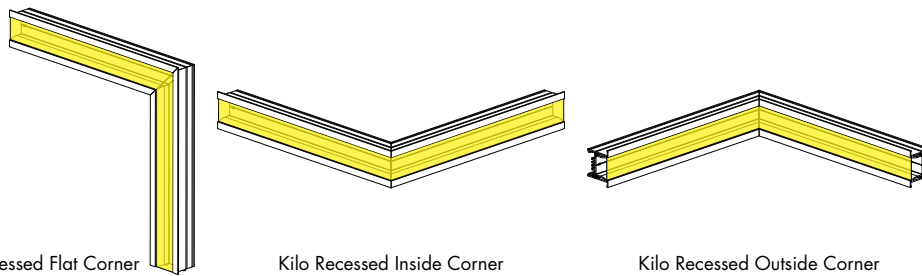
C - LineLED



Included with Kilo System, the LineLED will be split into runs based on system layout and max run length of the LED strip. By default, the LineLED will come with soldered leads (SL) on end and no connector (NC) on the other. Additional configurations available upon request. Please note, Kilo Surface System comes with two rows of LineLED

D - Kilo Recessed Corner

Based on ordered Run



Kilo Recessed Flat Corner

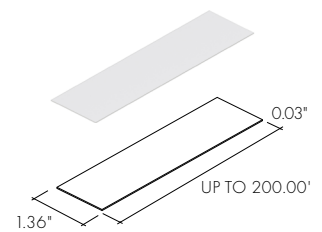
Kilo Recessed Inside Corner

Kilo Recessed Outside Corner

Includes two welded Kilo Recessed extrusion pieces, gypsum surface brackets, and a pair of joiners. Corners are nominally 12" x 12".

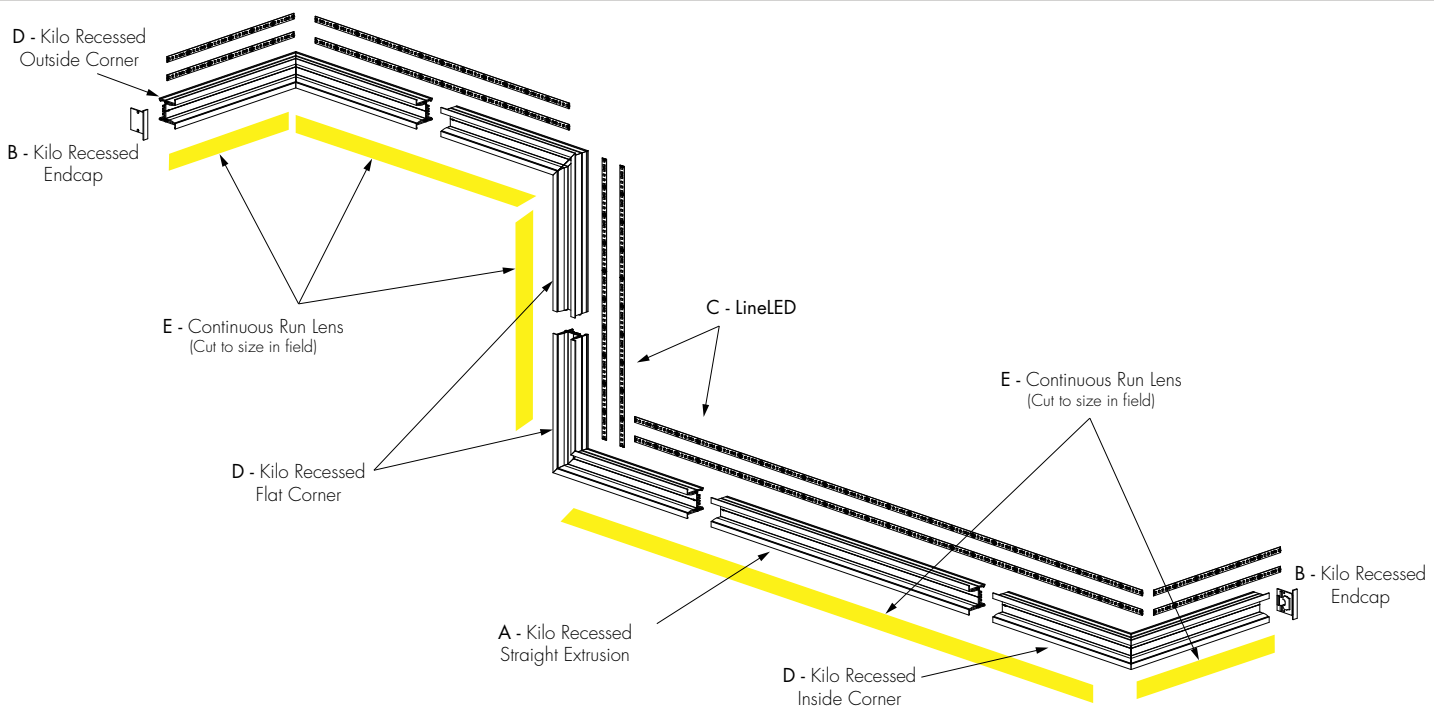
E - Continuous Lens

Based on ordered Run, field cuttable



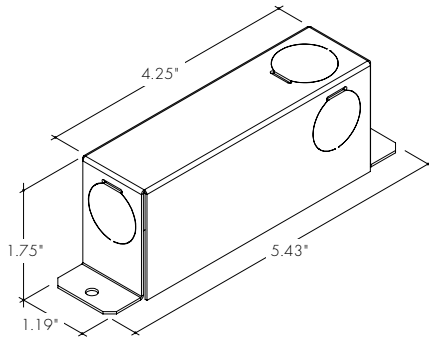
Included with Kilo System, the continuous lens comes in rolls of up to 200 feet to be cut in the field reducing seams.

Kilo Recessed System - Sample Run



Accessories - Sold Separately**PLINE-LG-BOX V2**

Kilo Recessed Junction Box



While plenum cable is included with the Kilo Recessed System by default, junction boxes may be ordered if desired. Junction box directly attaches to the Kilo Recessed System Straight Extrusion.

Power Consumption

Please visit the link/QR code below to access the Luminii Power Consumption Chart tool on our website.

There you will be able to select your fixture, output, and desired power feed to get a full power consumption table.



I'm also click-able

Desired Nominal Length: _____

Desired Output: _____

Desired CCT: _____

Voltage Drop Calculator

The below chart assumes nominal voltage of 24 Volts and a Voltage Drop Allowance of 3% through the wire

Wattage [W]	Maximum Wire Length From Power Supply to Start of Run [ft]						
	12 AWG	14 AWG	16 AWG	18 AWG	20 AWG	22 AWG	24 AWG
5	1088.2	684.4	430.3	270.6	170.2	107.1	67.3
10	544.1	342.2	215.1	135.3	85.1	53.5	33.7
15	362.7	228.1	143.4	90.2	56.7	35.7	22.4
20	272.0	171.1	107.6	67.7	42.6	26.8	16.8
25	217.6	136.9	86.1	54.1	34.0	21.4	13.5
30	181.4	114.1	71.7	45.1	28.4	17.8	11.2
35	155.5	97.8	61.5	38.7	24.3	15.3	9.6
40	136.0	85.5	53.8	33.8	21.3	13.4	8.4
45	120.9	76.0	47.8	30.1	18.9	11.9	7.5
50	108.8	68.4	43.0	27.1	17.0	10.7	6.7
55	98.9	62.2	39.1	24.6	15.5	9.7	6.1
60	90.7	57.0	35.9	22.6	14.2	8.9	5.6
65	83.7	52.6	33.1	20.8	13.1	8.2	5.2
70	77.7	48.9	30.7	19.3	12.2	7.6	4.8
75	72.5	45.6	28.7	18.0	11.3	7.1	4.5
80	68.0	42.8	26.9	16.9	10.6	6.7	4.2
85	64.0	40.3	25.3	15.9	10.0	6.3	4.0
90	60.5	38.0	23.9	15.0	9.5	5.9	3.7
96	56.7	35.6	22.4	14.1	8.9	5.6	3.5

Power Supplies

See Power Supply instructions and spec sheet for wiring information. For a complete list of compatible dimmers, see Compatible Dimming Chart on the Resources page.

For use with Static White

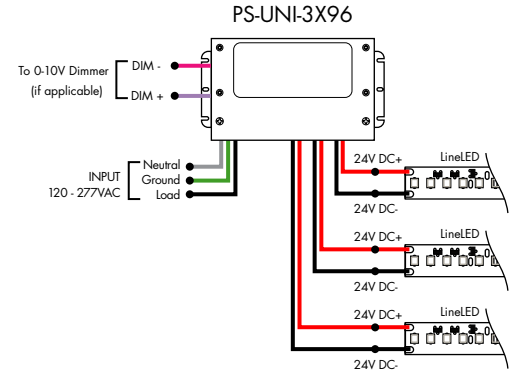
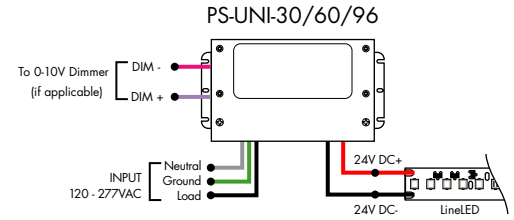
Ordering Code - Universal Dimming Power Supplies 0.1% 120VAC - 277VAC

MODEL	INPUT CONTROL	WATTAGE	OUTPUT
PS-Power Supply, 120-277VAC	UNI - 0-10V Dimming (0.1%), Phase Dimming (0.1%)	30 - 30 Watts 60 - 60 Watts 96 - 96 Watts 3x96 - 3x96 Watts	24 - 24 VDC

Compatibility: View a complete list of compatible dimmers on the PS-UNI product page.

0-10V - 0.1% dimming
MLV/ELV/TRIAC - 0.1% dimming, consult dimming compatibility chart

MODELS	PS-UNI-30W	PS-UNI-60W	PS-UNI-96W	PS-UNI-3X96W
Length	6.50"	7.40"	8.66"	11.85"
Width	3.73"	3.73"	3.73"	4.32"
Depth	1.61"	1.61"	1.61"	1.81"

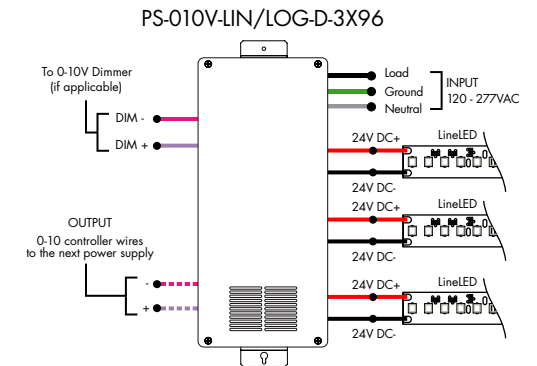
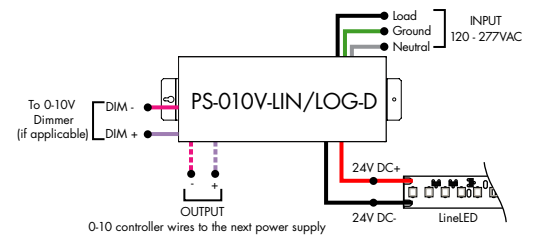


For use with Static White

Ordering Code - 0-10V Dimming Power Supplies 0.1% 120VAC - 277VAC

MODEL	INPUT CONTROL	ENVIRONMENT	WATTAGE	OUTPUT
PS-Power Supply, 120-277VAC	010V-LIN - 0-10V Dimming (0.1%), Linear 010V-LOG - 0-10V Dimming (0.1%), Logarithmic	D-Dry	96 - 96 Watts 3x96 - 3x96 Watts	24 - 24 VDC

MODELS	96W	3X96
Length	14.40"	15.00"
Width	5.20"	6.62"
Depth	2.60"	4.45"



Power Supplies

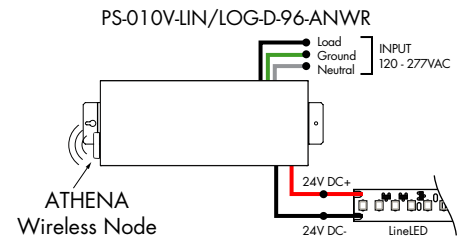
See Power Supply instructions and spec sheet for wiring information. For a complete list of compatible dimmers, see Compatible Dimming Chart on the Resources page.

For use with Static White

Ordering Code - Athena 0-10V LED Driver

MODEL	INPUT CONTROL	ENVIRONMENT	WATTAGE	OUTPUT	FEATURE
PS-Power Supply, 120-277VAC	010V-LIN-0-10V Dimming (0.1%), Linear 010V-LOG-0-10V Dimming (0.1%), Logarithmic	D-Dry	96-96 Watts	24-24 VDC	AWNR-Athena Wireless Node

MODELS	96W
Length	14.40"
Width	5.20"
Depth	2.60"

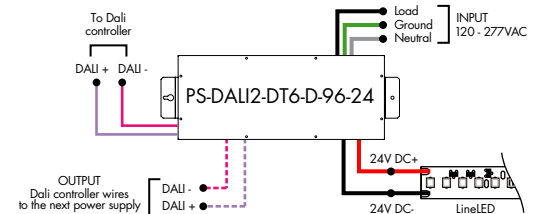


For use with Static White

Ordering Code - DALI 2 Dimming Power Supplies 0.1% 120VAC - 277VAC

MODEL	INPUT CONTROL	ENVIRONMENT	WATTAGE	OUTPUT
PS-Power Supply, 120-277VAC	DALI2-DT6-DALI2 DT6 (0.1%)	D-Dry	96-96 Watts	24-24 VDC

Model	96W
Length	14.40"
Width	5.20"
Depth	2.60"

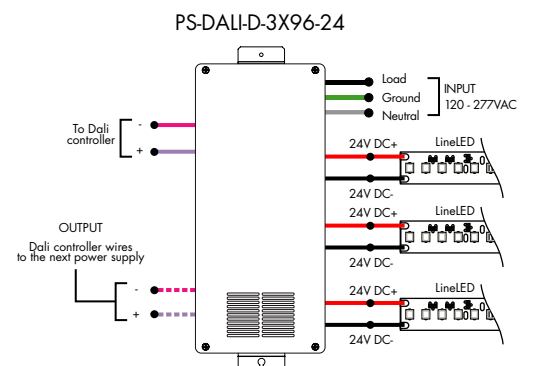
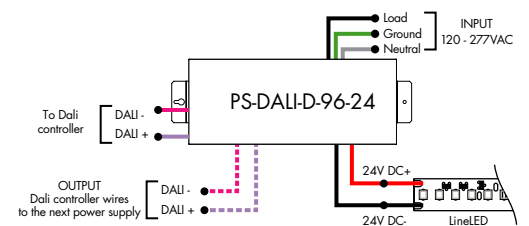


For use with Static White

Ordering Code - DALI Dimming Power Supplies 0.1% 120VAC - 277VAC

MODEL	INPUT CONTROL	ENVIRONMENT	WATTAGE	OUTPUT
PS-Power Supply, 120-277VAC	DALI-DALI (0.1%)	D-Dry	96-96 Watts 3x96-3x96 Watts	24-24 VDC

Model	96W	3X96
Length	14.40"	15.00"
Width	5.20"	6.62"
Depth	2.60"	4.56"



Power Supplies

See Power Supply instructions and spec sheet for wiring information. For a complete list of compatible dimmers, see Compatible Dimming Chart on the Resources page.

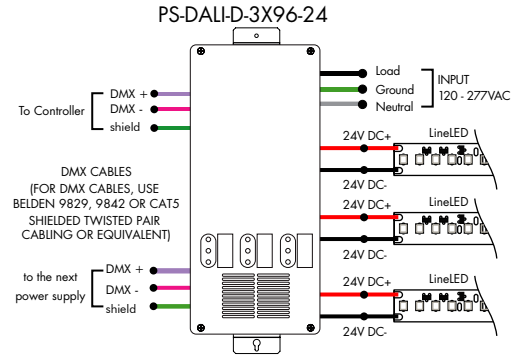
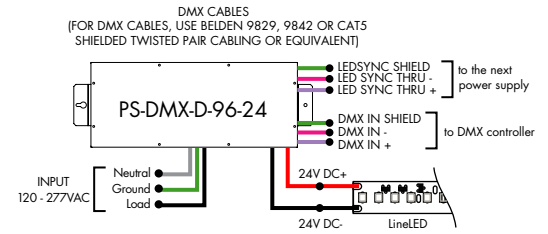
For use with Static White

Ordering Code - DMX Dimming Power Supplies 0.1% 120VAC - 277VAC

MODEL	INPUT CONTROL	ENVIRONMENT	WATTAGE	OUTPUT
PS-Power Supply, 120-277VAC	DMX-DMX (0.1%)	D-Dry	96-96 Watts 3x96-3x96 Watts	24-24 VDC

MODELS	96W	3X96
Length	14.40"	15.00"
Width	5.20"	6.62"
Depth	2.60"	4.56"

ZONAL CONTROL POWER SUPPLIES.
CONTROL MULTIPLE TAPES/ZONES USING DMX CHANNELS.

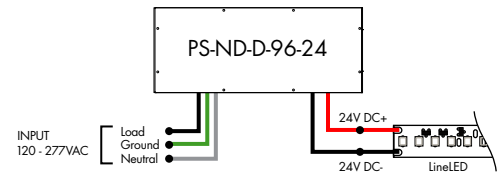


For use with Static White

Ordering Code - Non-Dimming Power Supply, 120VAC - 277VAC

MODEL	INPUT CONTROL	ENVIRONMENT	WATTAGE	OUTPUT
PS-Power Supply, 120-277VAC	ND-Non Dimming	D-Dry	96-96 Watts	24-24 VDC

MODELS	96W
Length	14.40"
Width	5.20"
Depth	2.60"

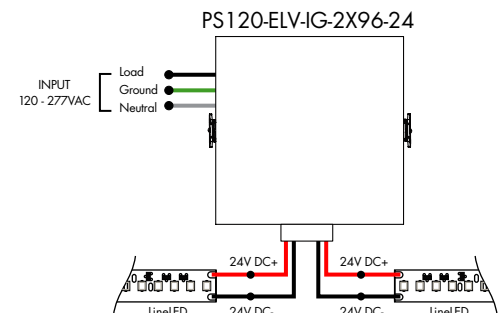


For use with Static White

Ordering Code - In-Ground Power Supplies

MODEL	INPUT CONTROL	ENVIRONMENT	WATTAGE	OUTPUT
PS120-Power Supply, 120VAC PS240-Power Supply, 240VAC PS277-Power Supply, 277VAC	ELV-ELV Dimming (1%)	IG-In Ground	2X96-2X96 Watts	24-24 VDC

MODELS	2X96W
Length	8.40"
Width	8.30"
Depth	8.10"



Power Supplies

See Power Supply instructions and spec sheet for wiring information. For a complete list of compatible dimmers, see Compatible Dimming Chart on the Resources page.



Luminii is a Lutron OEM Advantage Partner

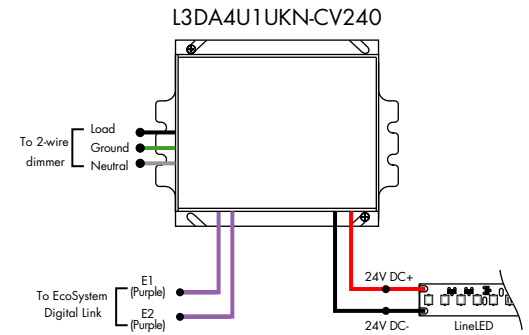
Lutron Power Supplies 1%

MODEL

L3DA4U1UKL-CV240

HiLume™ 1% EcoSystem Voltage LED driver 40W max

MODELS	L3DA4U1UKL-CV240
Length	4.98"
Width	4.00"
Depth	2.62"



Luminii is a Lutron OEM Advantage Partner

Lutron Power Supplies 0.1%

MODEL

L3D0-96W24V-U

HiLume™ 0.1% EcoSystem Voltage LED Driver with Soft-On, Fade-to-Black™ 96W max

MODELS	L3D0
Length	10.50"
Width	5.50"
Depth	2.00"

