

# Kilo Recessed & Kilo Recessed Corners - Installation Instructions

Models KR-, & KRC



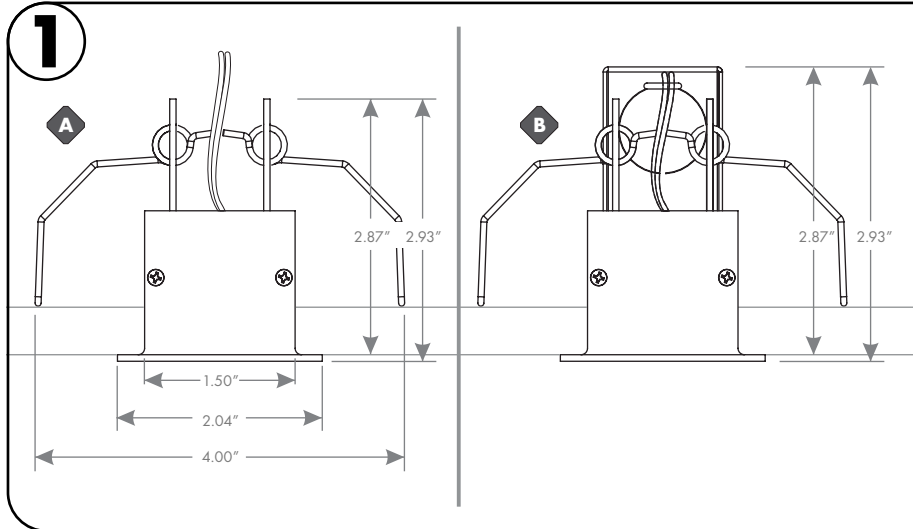
7777 Merrimac Ave  
Niles, IL 60714  
T 224.333.6033  
F 224.757.7557  
info@luminii.com  
www.luminii.com

REV.0.7  
04102026

1 / 5

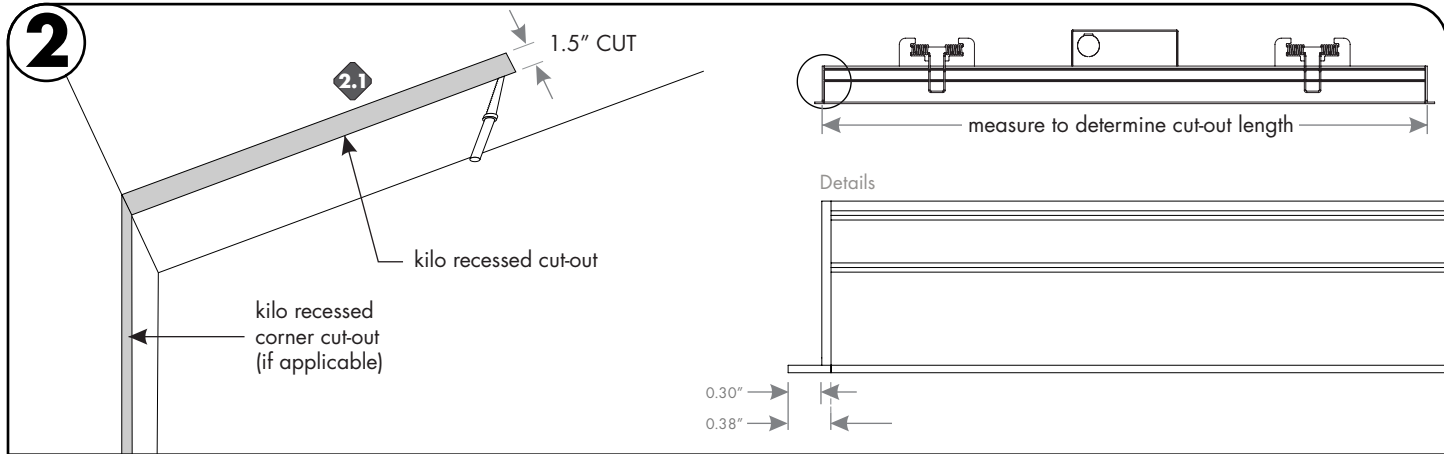
**Please read all instructions prior to installation and keep for future reference!**

1. PRODUCT TO BE INSTALLED BY A QUALIFIED ELECTRICIAN.
2. USE WITH COMPATIBLE CLASS 2 OR CLASS P POWER UNIT
3. 24 VOLTS DC
4. SUITABLE FOR DAMP LOCATIONS
5. TYPE IC
6. INHERENTLY PROTECTED
7. SUITABLE FOR INSTALLATION IN THE STORAGE AREA OF A CLOTHES CLOSET ON OUTPUTS 5.7W/FT OR LESS, NEC COMPLIANT FOR THE USA ONLY
8. FIXTURE SHOULD BE INSTALLED BY TWO PEOPLE.

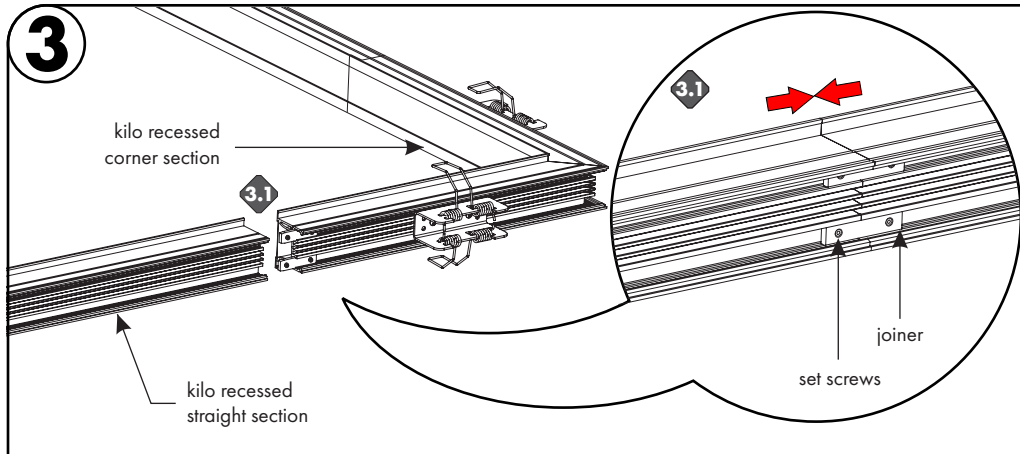


**Option A:** If the Kilo Recessed LED lead wires will be connected to 24VDC power wires in a remote junction box.

**Option B:** If the Kilo Recessed LED lead wires will be connected to 24VDC power wires inside provided junction box on top of Kilo Recessed.



**2.1** Determine the location of the installation. Measure the fixture(s) length (excluding the flanges on the ends of the endcap), and then cut a 1.5" wide cut-out all along the desired location. Mounting brackets should be 4" from each end of the fixture(s) and also every 24" in between.



**3.1** If joining sections together as a system align the joiners to the corresponding section end. Followed by inserting then tightening the setscrews to secure.

**3.2** Determine the location of the installation. Measure the fixture(s) length (excluding the flanges on the ends of fixtures), and then cut a 1.5" wide cut-out all along the desired location.

# Kilo Recessed & Kilo Recessed Corners - Installation Instructions

Models KR-, & KRC



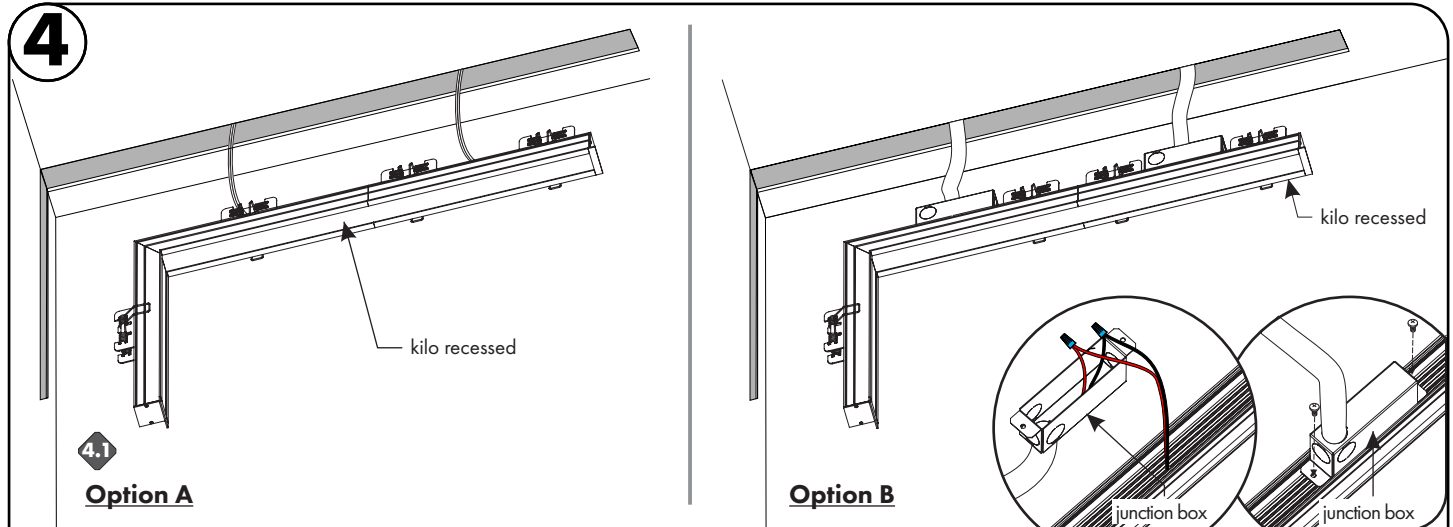
7777 Merrimac Ave  
Niles, IL 60714  
T 224.333.6033  
F 224.757.7557  
info@luminii.com  
www.luminii.com

REV.0.7  
04102026

2 / 5

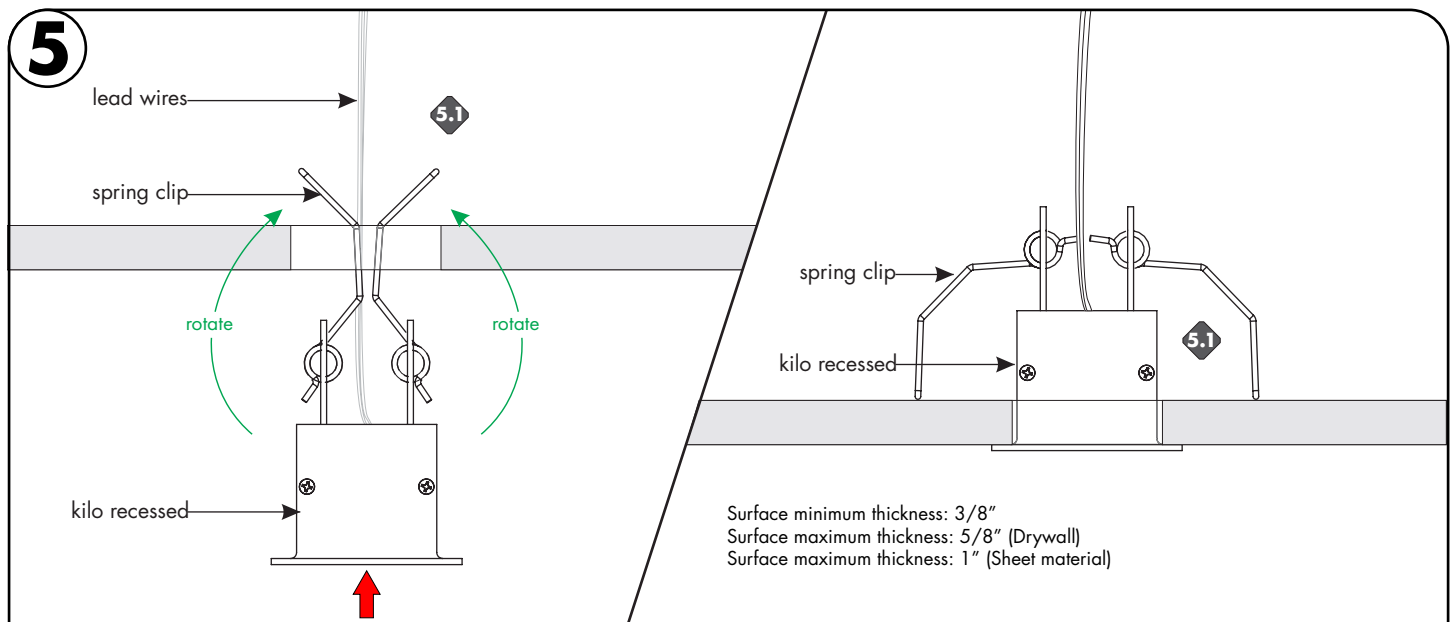
**Please read all instructions prior to installation and keep for future reference!**

1. PRODUCT TO BE INSTALLED BY A QUALIFIED ELECTRICIAN.
2. USE WITH COMPATIBLE CLASS 2 OR CLASS P POWER UNIT
3. 24 VOLTS DC
4. SUITABLE FOR DAMP LOCATIONS
5. TYPE IC
6. INHERENTLY PROTECTED
7. SUITABLE FOR INSTALLATION IN THE STORAGE AREA OF A CLOTHES CLOSET ON OUTPUTS 5.7W/FT OR LESS, NEC COMPLIANT FOR THE USA ONLY
8. FIXTURE SHOULD BE INSTALLED BY TWO PEOPLE.



**Option A:** Run the fixture(s) lead wire to the remote power supply. Refer to page 3 for wiring.

**Option B:** Connect the 24VDC power wires to the Kilo Recessed LED wires inside the nearest junction box Refer to step 7 for wiring. Once wires are secure, attach the junction box to the back of Kilo Recessed with the provided screws, make sure all wires & connection are inside junction box.



Surface minimum thickness: 3/8"  
Surface maximum thickness: 5/8" (Drywall)  
Surface maximum thickness: 1" (Sheet material)

**5.1** Rotate the fixture spring clips into the top position, to allow fixture to slide through the cutout slot. Followed by carefully releasing spring clips and push the fixture completely into the slot. *If necessary make any surface or paint imperfection prior to installation.*

# Kilo Recessed & Kilo Recessed Corners - Installation Instructions

Models KR-, & KRC



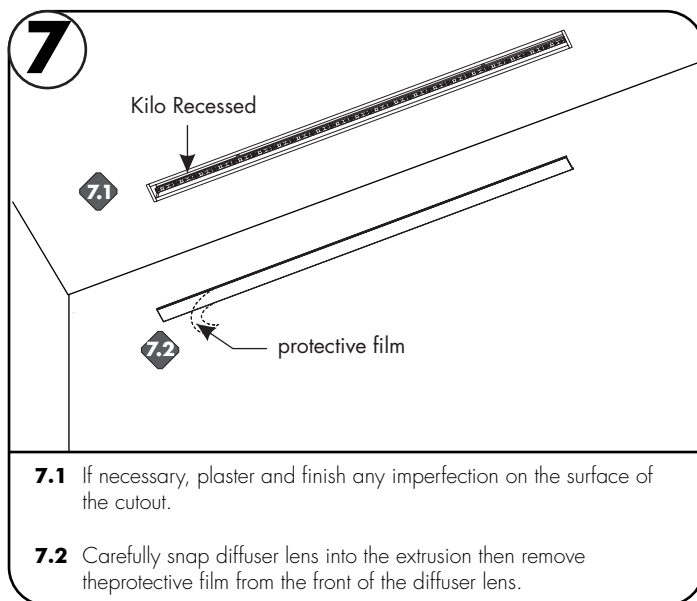
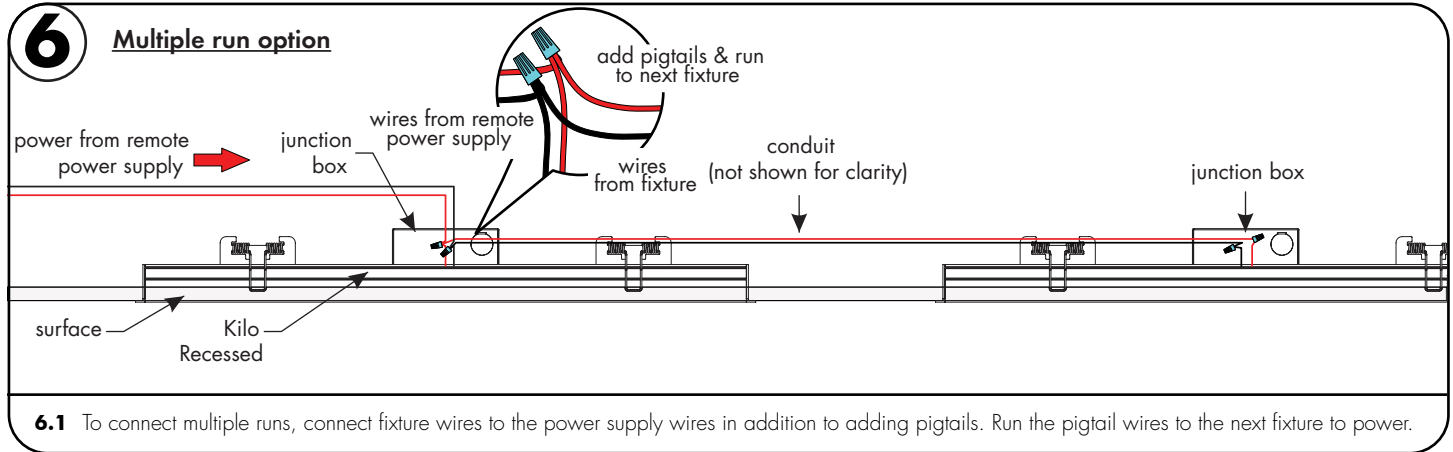
7777 Merrimac Ave  
Niles, IL 60714  
T 224.333.6033  
F 224.757.7557  
info@luminii.com  
www.luminii.com

REV0.7  
04102026

3 / 5

**Please read all instructions prior to installation and keep for future reference!**

1. PRODUCT TO BE INSTALLED BY A QUALIFIED ELECTRICIAN.
2. USE WITH COMPATIBLE CLASS 2 OR CLASS P POWER UNIT
3. 24 VOLTS DC
4. SUITABLE FOR DAMP LOCATIONS
5. TYPE IC
6. INHERENTLY PROTECTED
7. SUITABLE FOR INSTALLATION IN THE STORAGE AREA OF A CLOTHES CLOSET ON OUTPUTS 5.7W/FT OR LESS, NEC COMPLIANT FOR THE USA ONLY
8. FIXTURE SHOULD BE INSTALLED BY TWO PEOPLE.



# Kilo Recessed & Kilo Recessed Corners - Installation Instructions

Models KR-, & KRC

Please read all instructions prior to installation and keep for future reference!

1. PRODUCT TO BE INSTALLED BY A QUALIFIED ELECTRICIAN.
2. USE WITH COMPATIBLE CLASS 2 OR CLASS P POWER UNIT
3. 24 VOLTS DC
4. SUITABLE FOR DAMP LOCATIONS
5. TYPE IC
6. INHERENTLY PROTECTED
7. SUITABLE FOR INSTALLATION IN THE STORAGE AREA OF A CLOTHES CLOSET ON OUTPUTS 5.7W/FT OR LESS, NEC COMPLIANT FOR THE USA ONLY
8. FIXTURE SHOULD BE INSTALLED BY TWO PEOPLE.



REVO.7  
04102026

4 / 5



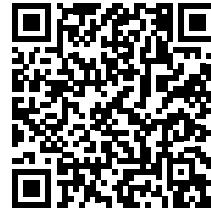
7777 Merrimac Ave  
Niles, IL 60714  
T 224.333.6033  
F 224.757.7557  
info@luminii.com  
www.luminii.com

## Power Supply Wiring Diagram

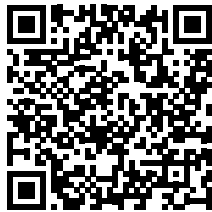
**Note:** Prior to installation all 24VDC wires must be present near fixture. Refer to the power supply installation instructions for additional information.



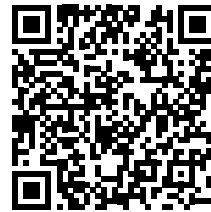
Static White  
[Wiring Diagram PDF](#)



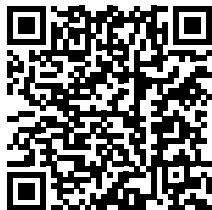
RGB/RGBW  
[Wiring Diagram PDF](#)



Warm Dim  
[Wiring Diagram PDF](#)



Pixel  
[Wiring Diagram PDF](#)



Tunable White  
[Wiring Diagram PDF](#)

# Kilo Recessed & Kilo Recessed Corners - Installation Instructions

Models KR-, & KRC



7777 Merrimac Ave  
Niles, IL 60714  
T 224.333.6033  
F 224.757.7557  
info@luminii.com  
www.luminii.com

Please read all instructions prior to installation and keep for future reference!

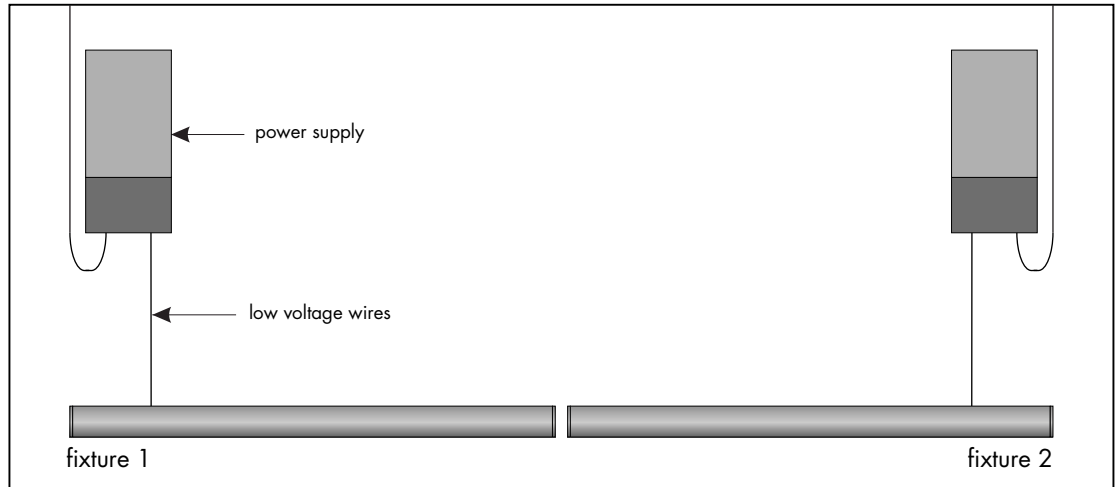
1. PRODUCT TO BE INSTALLED BY A QUALIFIED ELECTRICIAN.
2. USE WITH COMPATIBLE CLASS 2 OR CLASS P POWER UNIT
3. 24 VOLTS DC
4. SUITABLE FOR DAMP LOCATIONS
5. TYPE IC
6. INHERENTLY PROTECTED
7. SUITABLE FOR INSTALLATION IN THE STORAGE AREA OF A CLOTHES CLOSET ON OUTPUTS 5.7W/FT OR LESS, NEC COMPLIANT FOR THE USA ONLY
8. FIXTURE SHOULD BE INSTALLED BY TWO PEOPLE.

REV.0.7  
04102026

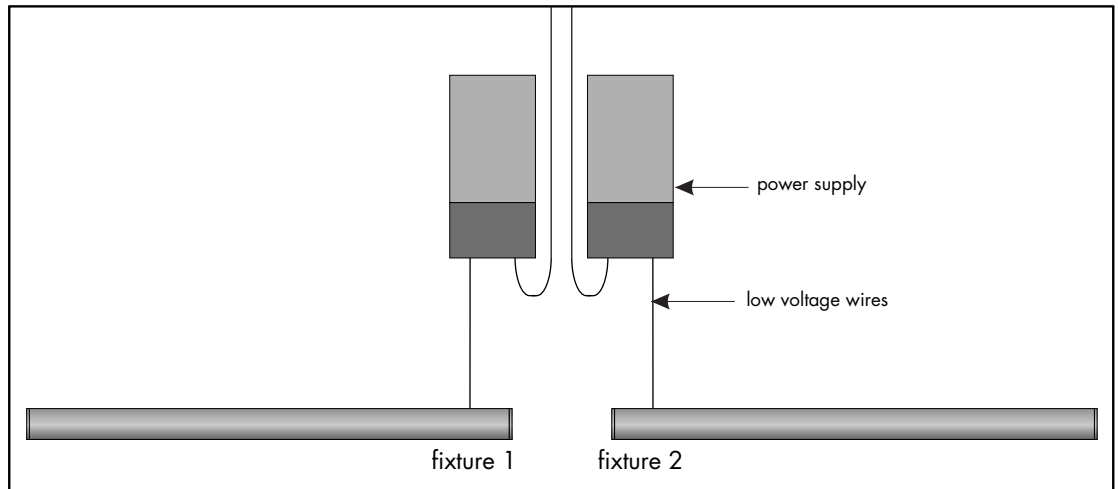
5 / 5

## Multiple powerfeed layouts

### power supplies at the end of the run



### power supplies in the middle of the run



### consecutive layout, NOT RECOMMENDED

