

Features

- 24VDC Class 2 fixtures made to order up to 116". Fixtures can be linked up to 48' depending on output
- Suitable for wall wash applications
- Approved for closet/storage space installation per NEC 410.16(A) (3) and 410.16(C)(5) on outputs 5.7 W/ft or less
- Class 2 listed for damp locations
- Dot free even illumination with wash lens
- Average Life (L70): 50,000hrs
- High Color Quality options offer premium quality and vibrant colors with R9 values up to 97
- High Efficacy options offer best in class output and efficacy with over 486 lm/ft and up to 68 lm/W
- Proprietary strong bond solder method handles up to 50 lbs of pull force on wire leads and connectors
- 7 year warranty

Finish Options (see page 3 for additional information)

- Base Silver Anodized
- Powder Coat Black Bronze White



Technical Information

TYPE	High Color Quality			High Efficacy				High Efficacy
	72SO	72HO	72VHO	HE48LO	HE48SO	HE48MO	HE48HO	HE64VHO
OUTPUT OPTIONS								
Lumens Output (3000K)	115 lm/ft	187 lm/ft	227 lm/ft	112 lm/ft	155 lm/ft	207 lm/ft	332 lm/ft	420 lm/ft
Average Power Consumption (for a 4' section)	2.8 W/ft	4.8 W/ft	6 W/ft	1.9 W/ft	2.8 W/ft	3.5 W/ft	6.5 W/ft	7.5 W/ft
Efficacy	41 lm/W	39 lm/W	38 lm/W	59 lm/W	55 lm/W	59 lm/W	51 lm/W	56 lm/W
Max Run Length (in series)	40 ft	31 ft	22 ft	48 ft	42 ft	33 ft	21 ft	15 ft
Ambient Operating Temperature Range*	-5°F - 125°F (-20°C - 50°C)			-5°F - 125°F (-20°C - 50°C)				-5°F - 125°F (-20°C - 50°C)

*Ambient Operating Temperature Range to maintain L70 of 50k+ hours in normal mounting conditions for the fixture. Exceeding Ambient Operating Temperature Range may result in decreased life/output. Consult Technical Support for specific inquiries.

High Color Quality (72)

CCT	Multiplier (reference - 3000K)	TM-30			
		CRI	R _f	R _g	R ₉
1900K	0.55	96	94	97	90
2200K	0.70	96	95	101	89
2400K	0.72	98	97	101	91
2700K	0.74	97	96	101	91
3000K	1.00	97	95	104	97
3500K	1.02	97	94	105	97
4100K	1.07	97	90	99	97

High Efficacy (HE48/HE64)

CCT	Multiplier (reference - 3000K)	TM-30			
		CRI	R _f	R _g	R ₉
2200K	0.73	92	91	97	42
2500K	0.81	93	96	96	62
2700K	0.94	92	90	99	58
3000K	1.00	92	89	99	57
3500K	1.02	92	89	99	60
4000K	1.02	92	86	94	71

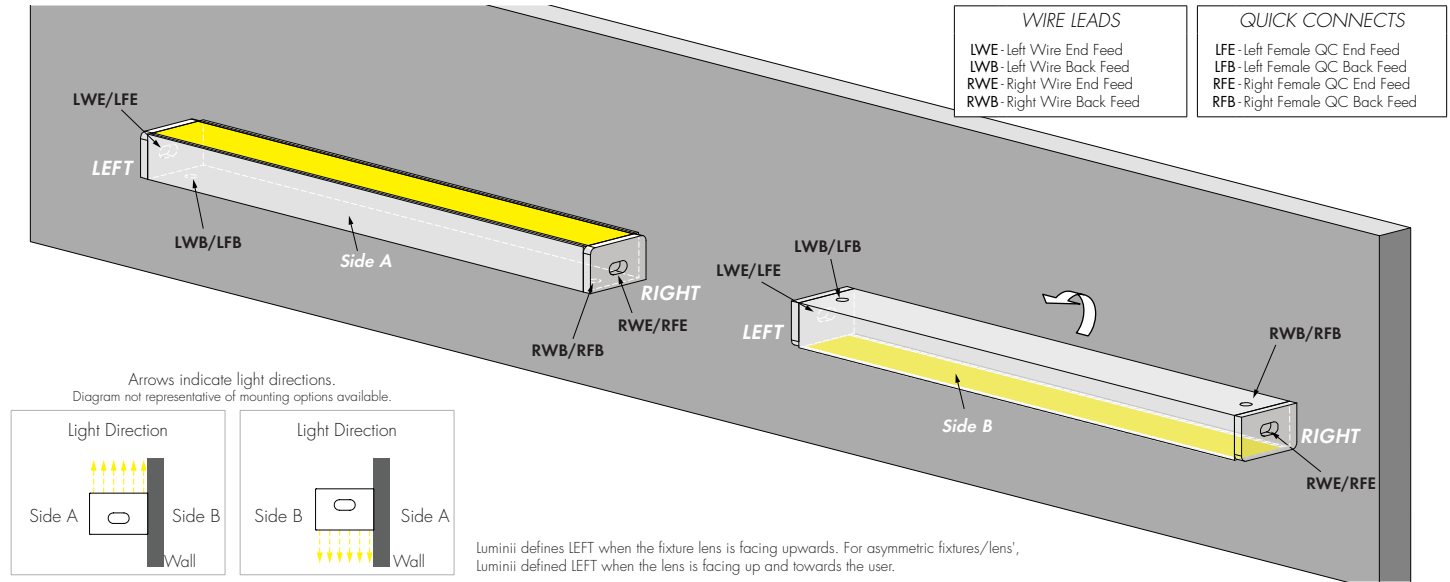
Ordering Code

MODEL	LENGTH ¹	OUTPUT ²	CCT	LENS	MOUNTING ³	FINISH ⁴	FEED POSITION LEFT ⁵	FEED POSITION RIGHT ⁵
KGW - Kilo GW	12" - 116" 1" increments	72SO - Standard 72HO - High 72VHO - Very High	19K - 1900K 22K - 2200K 24K - 2400K 27K - 2700K 30K - 3000K 35K - 3500K 41K - 4100K	W - Wash	FC - Fixed Clip ³ A - Adjustable Hinge Mounting, up to 90° SMA - Side-Mount Adjustable Bracket	BASE SA - Silver Anodized POWDER COAT BK - Black BZ - Bronze WH - White	WIRE LEADS (72") LWE - Wire End Feed LWB - Wire Back Feed LNPF - No Power Feed	WIRE LEADS (72") RWE - Wire End Feed RWB - Wire Back Feed RNPF - No Power Feed
	12" - 116" 2" increments	HE48LO - Low HE48SO - Standard HE48MO - Medium HE48HO - High HE64VHO - Very High	27K - 2700K 30K - 3000K 35K - 3500K 40K - 4000K				QUICK CONNECTS (4") LFE - Female Q/C, End Feed LFB - Female Q/C, Back Feed LNPF - No Power Feed	QUICK CONNECTS (4") RFE - Female Q/C, End Feed RFB - Female Q/C, Back Feed RNPF - No Power Feed

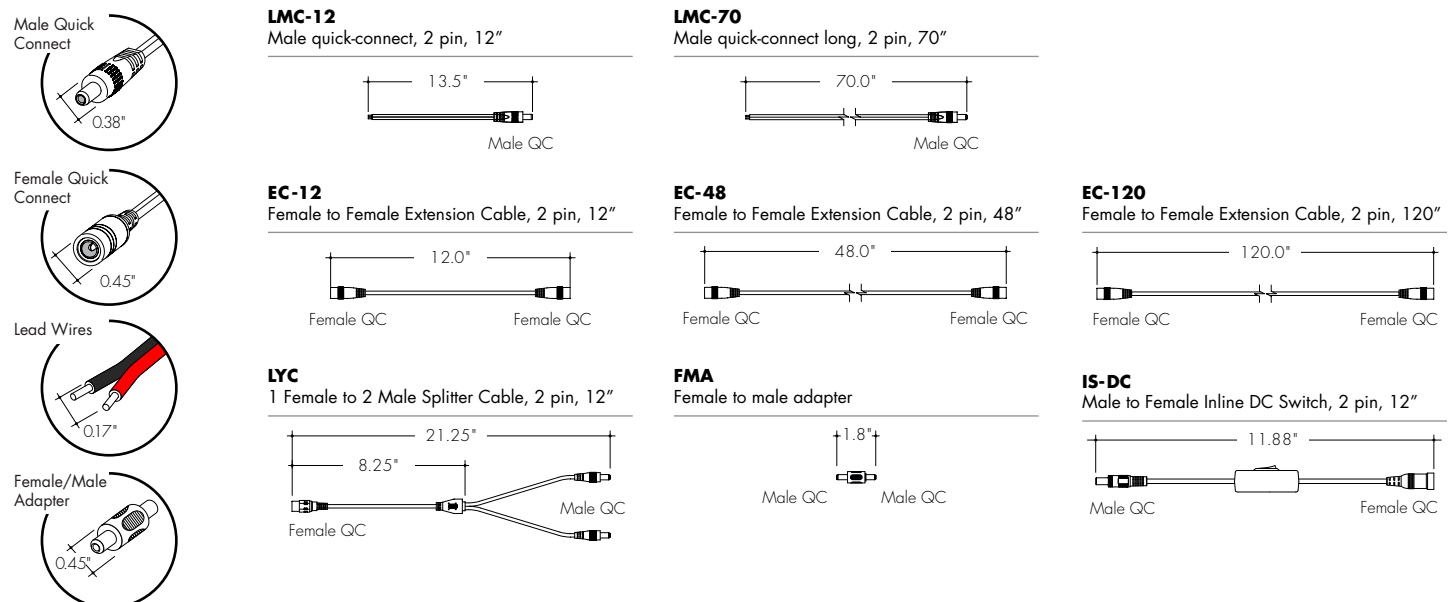
1 - Custom lengths and increments are available, please consult Inside Sales with specific request.
 2 - All High Efficacy options can be used to comply with Title 24 JA8. High Color Quality options can be used to comply with Title 24 JA8 depending on Output, CCT, and lens selections. See multiplier charts to calculate specific efficacies.
 3 - Fixed mounted systems have a maximum length of 76".
 4 - Non Base finishes may have extended lead times. Custom RALs are available, please consult Inside Sales with specific request.
 5 - LNPF - RNPF is not a valid configuration option

Powerfeeds and Connectors

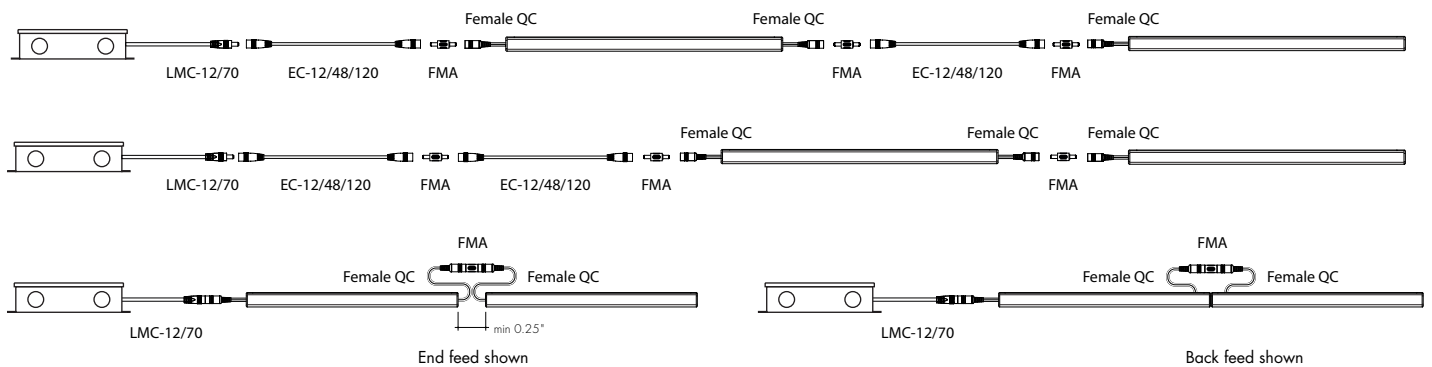
Power Feed Position Options and Orientation



Linking and Extension Cable Options

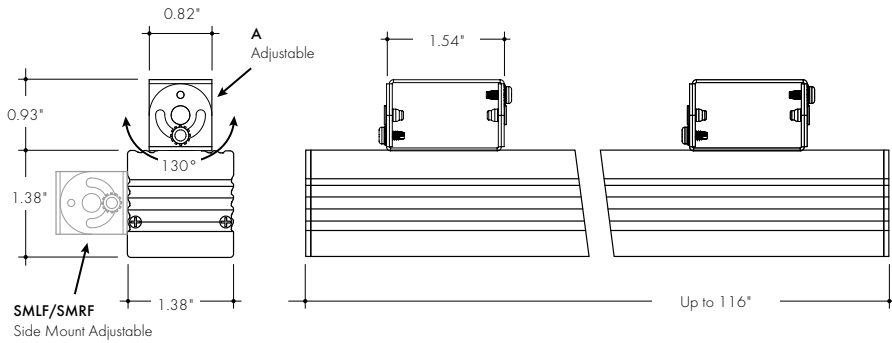


Sample Layout

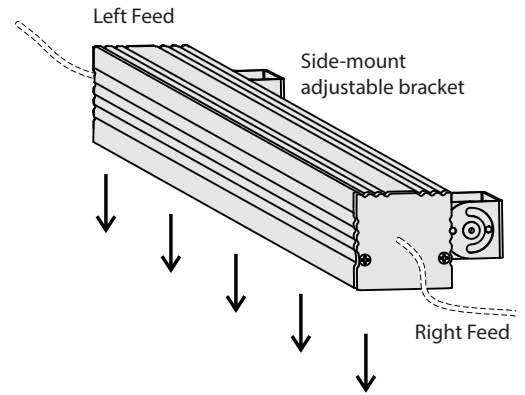
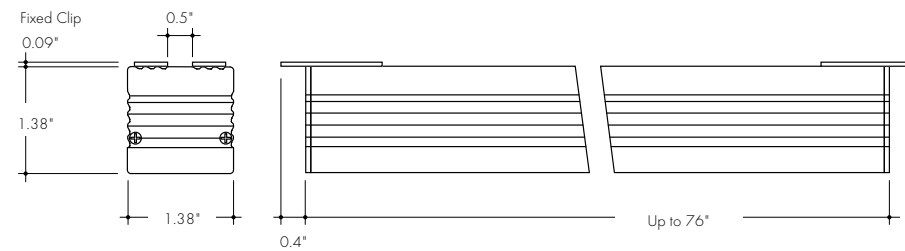


Product Dimensions

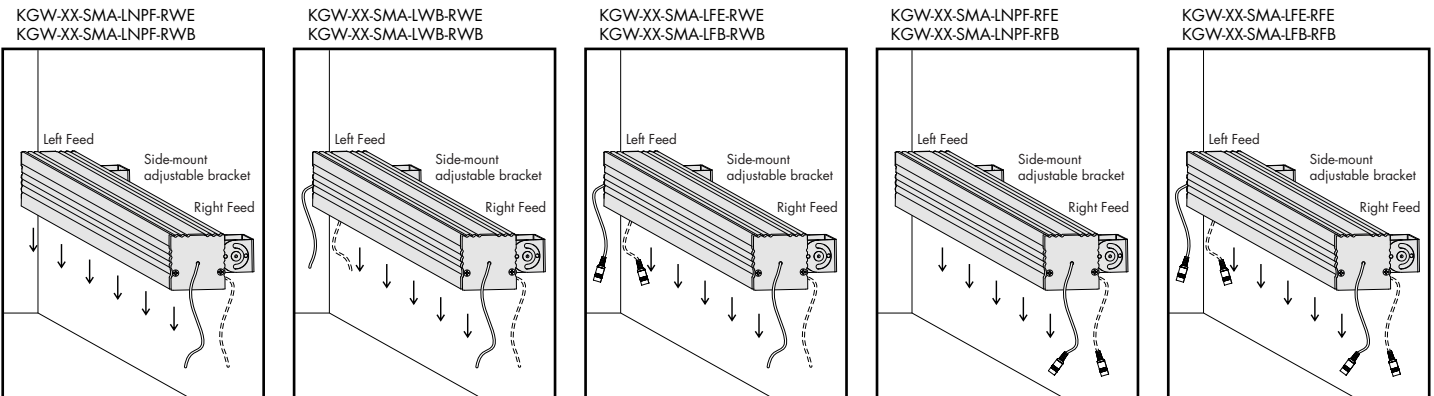
Adjustable and Side Mount Adjustable Mounting



Fixed Clip Mounting



Mounting and Powerfeed options.

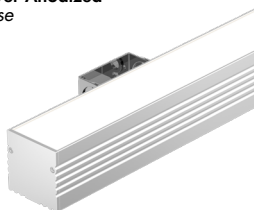


Top view. End Feed is Solid Line. Back Feed is Dashed Line.

Finish Options

- Finish options are available in a wide variety, allowing for complete customization of style and aesthetic.
- Powder Coat finishes may have extended lead times.
- Custom RALs are available, please consult Inside Sales with specific request.

Silver Anodized Base



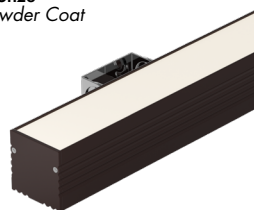
Silver Anodized is a soft silver with a clear finish.

Black Powder Coat



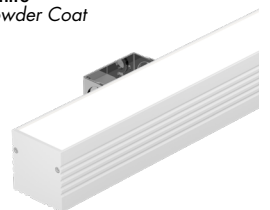
Black is a true deep black with a glossy finish.

Bronze Powder Coat



Bronze is a rich, dark brown with a satin finish.

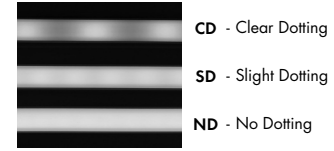
White Powder Coat



White is a polar bright white and field paintable.

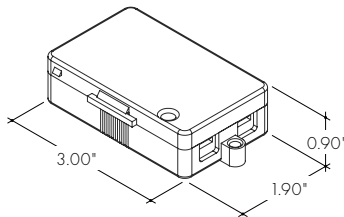
Light Transmission and Dotting

Output Options	Lens/Accessory			
	Dimming Level	100%	50%	10%
72SO	CD	CD	CD	CD
72HO	CD	CD	CD	CD
72VHO	CD	CD	CD	CD
HE48LO	CD	CD	CD	CD
HE48SO	CD	CD	CD	CD
HE48MO	CD	CD	CD	CD
HE48HO	CD	CD	CD	CD
HE64VHO	CD	CD	CD	CD

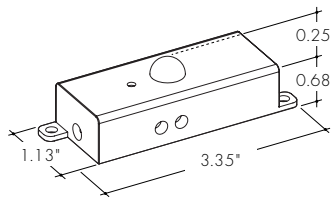


Accessory Options

LVSP-4T-BK
Low Voltage, 4 Terminal Splice Box, Black

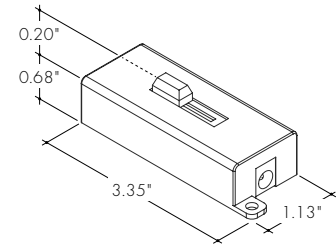


OS-DC-F4-BK
Occupancy Sensor



Male Quick Connect, FMA, LMC, LYC, or IS-DC are required for input and output.

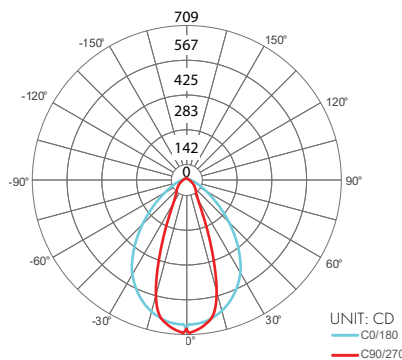
DIM-DC-F4-BK
24VDC Low Voltage In-line Dimmer Module



Male Quick Connect, FMA, LMC, LYC, or IS-DC are required for input and output.

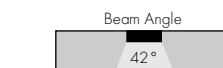
Photometry

KGW-48-72VHO-30K-W
Kilo GW, 4ft, 3000K, VHO, Wash Lens



Zonal Lumen Summary 3000K

Zone	Lumen	% Fixture
0-30	441	48.5%
0-40	609	67.0%
0-60	830	91.4%
0-90	904	99.6%
0-180	908	100.0%



Power Consumption

Tested at Full Power with PS-UNI Series power supplies.

*For Back Feed add 4/16" (1/4") to Actual Length. Standard Nominal Lengths offered provide minimal shadowing. For alternate lengths, please consult Inside Sales with specific request.

High Color Quality (72)

Nominal Length (in)	End Feed Actual Length*	Watts			Nominal Length (in)	End Feed Actual Length*	Watts			Nominal Length (in)	End Feed Actual Length*	Watts		
		SO	HO	VHO			SO	HO	VHO			SO	HO	VHO
12	12	2.7	4.4	6.2	47	46 12/16	10.5	17.4	23.1	82	81 8/16	18.3	29.5	38.4
13	–	–	–	–	48	47 14/16	10.7	17.8	23.5	83	82 10/16	18.5	29.8	38.8
14	13 3/16	2.9	4.8	6.7	49	–	–	–	–	84	83 13/16	18.7	30.1	39.2
15	14 5/16	3.1	5.2	7.3	50	49 1/16	11.1	18.6	24.4	85	84 15/16	19.2	30.8	40.0
16	15 8/16	3.4	5.6	7.8	51	50 3/16	11.4	18.9	24.9	86	–	–	–	–
17	16 10/16	3.6	6.0	8.3	52	51 6/16	11.6	19.3	25.3	87	86 2/16	19.4	31.1	40.4
18	17 13/16	3.9	6.5	8.9	53	52 8/16	11.9	19.7	25.7	88	87 4/16	19.6	31.5	40.8
19	18 15/16	4.4	7.3	9.9	54	53 11/16	12.1	20.1	26.1	89	88 7/16	19.9	31.8	41.1
20	–	–	–	–	55	54 13/16	12.3	20.5	26.6	90	89 9/16	20.1	32.2	41.5
21	20 2/16	4.6	7.7	10.5	56	–	–	–	–	91	90 12/16	20.4	32.5	41.9
22	21 4/16	4.8	8.1	11.0	57	56	12.8	21.3	27.4	92	91 14/16	20.6	32.9	42.3
23	22 7/16	5.1	8.6	11.5	58	57 3/16	13.1	21.6	27.8	93	–	–	–	–
24	23 9/16	5.3	9.0	12.1	59	58 5/16	13.3	22.0	28.3	94	93 1/16	21.1	33.6	43.1
25	24 12/16	5.6	9.4	12.6	60	59 8/16	13.6	22.4	28.7	95	94 3/16	21.3	33.9	43.4
26	25 14/16	5.8	9.8	13.1	61	60 10/16	13.8	22.8	29.1	96	95 6/16	21.5	34.2	43.8
27	–	–	–	–	62	61 13/16	14.0	23.1	29.6	97	96 8/16	21.8	34.6	44.2
28	27 1/16	6.2	10.5	14.1	63	62 15/16	14.5	23.8	30.5	98	97 11/16	22.0	34.9	44.6
29	28 3/16	6.5	10.9	14.5	64	–	–	–	–	99	98 14/16	22.2	35.2	45.0
30	29 6/16	6.7	11.2	15.0	65	64 2/16	14.7	24.1	31.0	100	–	–	–	–
31	30 8/16	6.9	11.6	15.5	66	65 4/16	14.9	24.4	31.4	101	100	22.5	35.9	45.9
32	31 11/16	7.1	12.0	16.0	67	66 7/16	15.1	24.7	31.9	102	101 3/16	22.7	36.2	46.3
33	32 13/16	7.3	12.3	16.5	68	67 9/16	15.3	25.0	32.4	103	102 5/16	22.9	36.5	46.7
34	34	7.8	13.1	17.4	69	68 12/16	15.5	25.4	32.8	104	103 8/16	23.1	36.8	47.1
35	–	–	–	–	70	69 14/16	15.8	25.7	33.3	105	104 10/16	23.3	37.1	47.5
36	35 3/16	8.0	13.4	17.9	71	–	–	–	–	106	105 13/16	23.5	37.4	48.0
37	36 5/16	8.2	13.8	18.4	72	71 1/16	16.2	26.3	34.2	107	106 15/16	23.9	38.1	48.8
38	37 8/16	8.4	14.2	18.9	73	72 3/16	16.4	26.6	34.7	108	–	–	–	–
39	38 10/16	8.7	14.5	19.3	74	73 6/16	16.6	26.9	35.1	109	108 2/16	24.1	38.4	49.2
40	39 13/16	8.9	14.9	19.8	75	74 8/16	16.8	27.3	35.5	110	109 4/16	24.3	38.7	49.6
41	40 15/16	9.3	15.6	20.7	76	75 11/16	17.1	27.6	35.9	111	110 7/16	24.5	39.0	50.0
42	–	–	–	–	77	76 14/16	17.3	27.9	36.3	112	111 9/16	24.8	39.3	50.4
43	42 2/16	9.6	16.0	21.2	78	–	–	–	–	113	112 12/16	25.0	39.6	50.8
44	43 4/16	9.8	16.4	21.7	79	78	17.7	28.5	37.2	114	113 14/16	25.2	39.9	51.2
45	44 7/16	10.0	16.7	22.1	80	79 3/16	17.9	28.9	37.6	115	–	–	–	–
46	45 9/16	10.2	17.1	22.6	81	80 5/16	18.1	29.2	38.0	116	115 1/16	25.6	40.5	52.0

Power Consumption

Tested at Full Power with PS-UNI Series power supplies.

*For Back Feed add 4/16" (1/4") to Actual Length. Standard Nominal Lengths offered provide minimal shadowing. For alternate lengths, please consult Inside Sales with specific request.

High Efficacy (HE48)

Nominal Length (in)	End Feed Actual Length*	Watts				Nominal Length (in)	End Feed Actual Length*	Watts				Nominal Length (in)	End Feed Actual Length*	Watts			
		LO	SO	MO	HO			LO	SO	MO	HO			LO	SO	MO	HO
12	10 4/16	1.7	2.5	3.5	5.7	47	-	-	-	-	82	81 2/16	12.5	19.9	23.9	42.2	
13	12 4/16	1.7	2.5	3.5	5.7	48	47 11/16	7.1	11.2	13.9	25.4	83	-	-	-	-	
14	-	-	-	-	-	49	-	-	-	-	84	83 2/16	12.8	20.3	24.5	43.1	
15	14 3/16	2.0	3.0	4.0	7.2	50	49 10/16	7.4	11.7	14.5	26.3	85	-	-	-	-	
16	-	-	-	-	-	51	-	-	-	-	86	85 1/16	13.1	20.8	25.1	44.1	
17	16 3/16	2.4	3.5	4.6	8.7	52	51 10/16	7.7	12.3	15.1	27.4	87	-	-	-	-	
18	-	-	-	-	-	53	-	-	-	-	88	87 1/16	13.4	21.3	25.7	45.0	
19	18 2/16	2.7	3.9	5.2	10.2	54	53 9/16	8.0	12.9	15.7	28.5	89	-	-	-	-	
20	-	-	-	-	-	55	-	-	-	-	90	89	13.7	21.7	26.3	46.0	
21	20 2/16	3.0	4.4	5.8	11.7	56	55 9/16	8.4	13.5	16.4	29.5	91	91	14.0	22.1	26.9	47.0
22	-	-	-	-	-	57	-	-	-	-	92	-	-	-	-	-	
23	22 1/16	3.4	4.9	6.4	13.2	58	57 8/16	8.7	14.0	17.0	30.6	93	92 15/16	14.3	22.6	27.5	47.9
24	-	-	-	-	-	59	-	-	-	-	94	-	-	-	-	-	
25	24 1/16	3.7	5.4	7.0	14.7	60	59 8/16	9.0	14.6	17.6	31.6	95	94 15/16	14.4	22.8	27.8	48.4
26	-	-	-	-	-	61	-	-	-	-	96	-	-	-	-	-	
27	26	4.1	5.9	7.5	15.8	62	61 7/16	9.4	15.2	18.2	32.6	97	96 14/16	14.7	23.3	28.5	49.4
28	28	4.4	6.4	8.1	16.8	63	-	-	-	-	98	-	-	-	-	-	
29	-	-	-	-	-	64	63 7/16	9.7	15.6	18.7	33.7	99	98 14/16	15.0	23.7	29.0	50.4
30	29 15/16	4.8	6.9	8.7	17.9	65	-	-	-	-	100	-	-	-	-	-	
31	-	-	-	-	-	66	65 6/16	10.0	16.1	19.2	34.7	101	100 13/16	15.3	24.1	29.6	51.3
32	31 15/16	5.0	7.2	9.0	18.5	67	-	-	-	-	102	-	-	-	-	-	
33	-	-	-	-	-	68	67 6/16	10.4	16.5	19.8	35.7	103	102 13/16	15.6	24.6	30.2	52.3
34	33 14/16	5.4	7.7	9.6	19.5	69	-	-	-	-	104	-	-	-	-	-	
35	-	-	-	-	-	70	69 5/16	10.7	17.0	20.3	36.7	105	104 12/16	15.8	25.0	30.7	53.2
36	35 14/16	5.7	8.2	10.2	20.6	71	-	-	-	-	106	-	-	-	-	-	
37	-	-	-	-	-	72	71 5/16	11.0	17.4	20.8	37.7	107	106 12/16	16.1	25.5	31.3	54.2
38	37 13/16	6.0	8.7	10.8	21.5	73	-	-	-	-	108	-	-	-	-	-	
39	-	-	-	-	-	74	73 4/16	11.3	17.9	21.4	38.7	109	108 11/16	16.4	25.9	31.9	55.2
40	39 13/16	6.2	9.2	11.4	22.3	75	-	-	-	-	110	-	-	-	-	-	
41	-	-	-	-	-	76	75 4/16	11.6	18.4	22.0	39.6	111	110 10/16	16.7	26.4	32.5	56.1
42	41 12/16	6.4	9.7	12.0	23.1	77	-	-	-	-	112	-	-	-	-	-	
43	-	-	-	-	-	78	77 3/16	11.9	18.9	22.7	40.5	113	112 10/16	17.0	26.8	33.1	57.0
44	43 12/16	6.7	10.2	12.6	23.9	79	-	-	-	-	114	-	-	-	-	-	
45	-	-	-	-	-	80	79 3/16	12.2	19.4	23.3	41.4	115	114 9/16	17.3	27.3	33.7	57.9
46	45 11/16	6.9	10.7	13.3	24.7	81	-	-	-	-	116	-	-	-	-	-	

Power Consumption

Tested at Full Power with PS-UNI Series power supplies.

*For Back Feed add 4/16" (1/4") to Actual Length. Standard Nominal Lengths offered provide minimal shadowing. For alternate lengths, please consult Inside Sales with specific request.

High Efficacy (HE64)

Nominal Length (in)	End Feed Actual Length*	Watts	Nominal Length (in)	End Feed Actual Length*	Watts	Nominal Length (in)	End Feed Actual Length*	Watts
		VHO			VHO			VHO
12	11	7.6	47	–	–	82	–	–
13	12 9/16	7.6	48	47 6/16	29.5	83	82 3/16	51.7
14	–	–	49	48 14/16	30.1	84	83 11/16	52.3
15	14 1/16	8.9	50	–	–	85	–	–
16	15 9/16	9.5	51	50 6/16	31.4	86	85 3/16	53.6
17	–	–	52	51 14/16	32.0	87	86 12/16	54.2
18	17 1/16	10.7	53	–	–	88	–	–
19	18 9/16	11.4	54	53 7/16	33.3	89	88 4/16	55.5
20	–	–	55	54 15/16	34.0	90	89 12/16	56.2
21	20 2/16	12.6	56	–	–	91	–	–
22	21 10/16	13.2	57	56 7/16	35.2	92	91 4/16	57.5
23	–	–	58	57 15/16	36.5	93	92 13/16	58.2
24	23 2/16	14.5	59	–	–	94	–	–
25	24 10/16	15.1	60	59 8/16	37.2	95	94 5/16	59.5
26	–	–	61	61	38.4	96	95 13/16	60.1
27	26 3/16	16.4	62	–	–	97	–	–
28	27 11/16	17.0	63	62 8/16	39.1	98	97 5/16	61.4
29	–	–	64	–	–	99	98 14/16	62.0
30	29 3/16	18.2	65	64	40.4	100	–	–
31	30 11/16	18.9	66	65 9/16	41.0	101	100 6/16	63.2
32	–	–	67	–	–	102	101 14/16	63.8
33	32 4/16	20.1	68	67 1/16	42.3	103	–	–
34	33 12/16	20.7	69	68 9/16	42.9	104	103 6/16	65.0
35	–	–	70	–	–	105	104 14/16	65.6
36	35 4/16	22.0	71	70 1/16	44.2	106	–	–
37	36 12/16	22.6	72	71 9/16	44.9	107	106 7/16	66.8
38	–	–	73	–	–	108	107 15/16	67.4
39	38 4/16	23.9	74	73 2/16	46.1	109	–	–
40	39 13/16	24.5	75	74 10/16	46.7	110	109 7/16	68.5
41	–	–	76	–	–	111	110 15/16	69.6
42	41 5/16	25.7	77	76 2/16	48.0	112	–	–
43	42 13/16	26.4	78	77 10/16	48.6	113	112 8/16	70.1
44	–	–	79	–	–	114	114	71.2
45	44 5/16	27.6	80	79 3/16	49.8	115	–	–
46	45 14/16	28.2	81	80 11/16	50.4	116	115 8/16	71.7

Voltage Drop Calculator

The below chart assumes nominal voltage of 24 Volts and a Voltage Drop Allowance of 3% through the wire

Wattage [W]	Wire Length From Power Supply to Start of Run [ft]						
	12 AWG	14 AWG	16 AWG	18 AWG	20 AWG	22 AWG	24 AWG
5	1088.2	684.4	430.3	270.6	170.2	107.1	67.3
10	544.1	342.2	215.1	135.3	85.1	53.5	33.7
15	362.7	228.1	143.4	90.2	56.7	35.7	22.4
20	272.0	171.1	107.6	67.7	42.6	26.8	16.8
25	217.6	136.9	86.1	54.1	34.0	21.4	13.5
30	181.4	114.1	71.7	45.1	28.4	17.8	11.2
35	155.5	97.8	61.5	38.7	24.3	15.3	9.6
40	136.0	85.5	53.8	33.8	21.3	13.4	8.4
45	120.9	76.0	47.8	30.1	18.9	11.9	7.5
50	108.8	68.4	43.0	27.1	17.0	10.7	6.7
55	98.9	62.2	39.1	24.6	15.5	9.7	6.1
60	90.7	57.0	35.9	22.6	14.2	8.9	5.6
65	83.7	52.6	33.1	20.8	13.1	8.2	5.2
70	77.7	48.9	30.7	19.3	12.2	7.6	4.8
75	72.5	45.6	28.7	18.0	11.3	7.1	4.5
80	68.0	42.8	26.9	16.9	10.6	6.7	4.2
85	64.0	40.3	25.3	15.9	10.0	6.3	4.0
90	60.5	38.0	23.9	15.0	9.5	5.9	3.7
96	56.7	35.6	22.4	14.1	8.9	5.6	3.5

Power Supplies

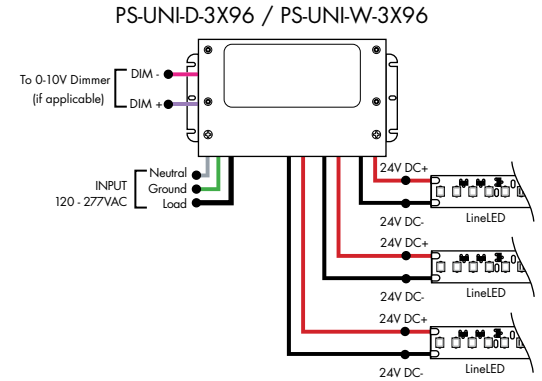
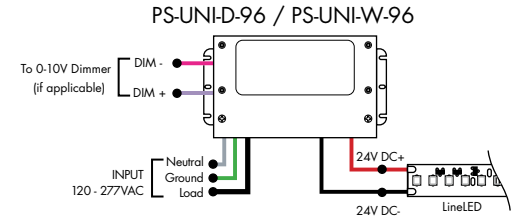
See Power Supply instructions and spec sheet for wiring information. For a complete list of compatible dimmers, see Compatible Dimming Chart on the Resources page.

Ordering Code Universal Dimming Power Supplies 1% 120VAC - 277VAC

MODEL	INPUT CONTROL	ENVIRONMENT	WATTAGE	OUTPUT
PS-Power Supply, 120-277VAC	UNI-0-10V Dimming, Phase Dimming	D-Dry W-Wet	30-30 Watts 60-60 Watts 96-96 Watts 3x96-3x96 Watts	24-24 VDC

Compatibility: View a complete list of compatible dimmers on product page [\(Link\)](#)

0-10V - 1% dimming
MLV/ELV/TRIAC - 1% dimming, consult dimming compatibility chart



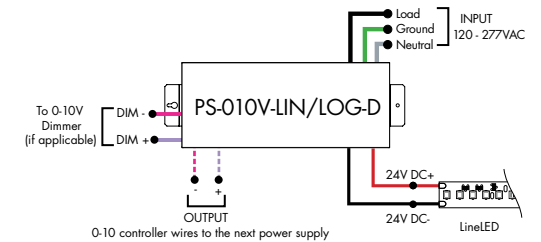
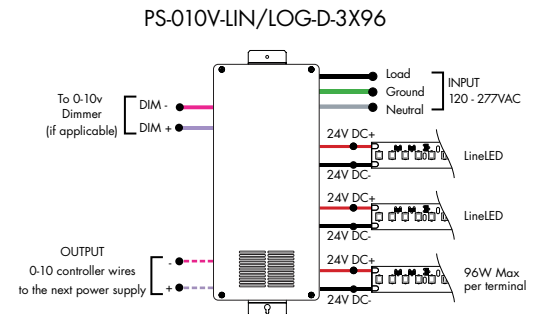
MODELS	PS-UNI-W-30W	PS-UNI-W-60W	PS-UNI-W-96W	PS-UNI-W-3X96W
Length	6.50"	7.40"	8.66"	11.85"
Width	3.73"	3.73"	3.73"	4.32"
Depth	1.61"	1.61"	1.61"	1.81"

MODELS	PS-UNI-D-30W	PS-UNI-D-60W	PS-UNI-D-96W	PS-UNI-D-3X96W
Length	8.77"	8.77"	8.11"	9.94"
Width	4.27"	4.27"	5.60"	7.61"
Depth	1.83"	1.83"	1.83"	2.02"

Ordering Code 0-10V Dimming Power Supplies 0.1% 120VAC - 277VAC

MODEL	INPUT CONTROL	ENVIRONMENT	WATTAGE	OUTPUT
PS-Power Supply, 120-277VAC	010V-LIN-0-10V Dimming (0.1%), Linear 010V-LOG-0-10V Dimming (0.1%), Logarithmic	D-Dry	96-96 Watts 3X96-3x96 Watts	24-24 VDC

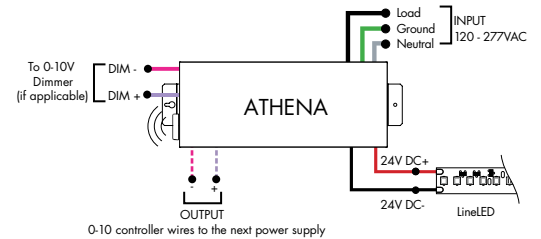
MODELS	96W	3X96
Length	14.40"	15.00"
Width	5.20"	6.62"
Depth	2.60"	4.45"



Athena 0-10V LED Driver

MODEL	INPUT CONTROL	ENVIRONMENT	WATTAGE	OUTPUT	FEATURE
PS-Power Supply, 120-277VAC	010V-LIN-0-10V Dimming, Linear 010V-LOG-0-10V Dimming, Logarithmic	D-Dry	96-96 W	24-24 VDC	AWNR-Athena

MODELS	96W
Length	14.40"
Width	5.20"
Depth	2.60"



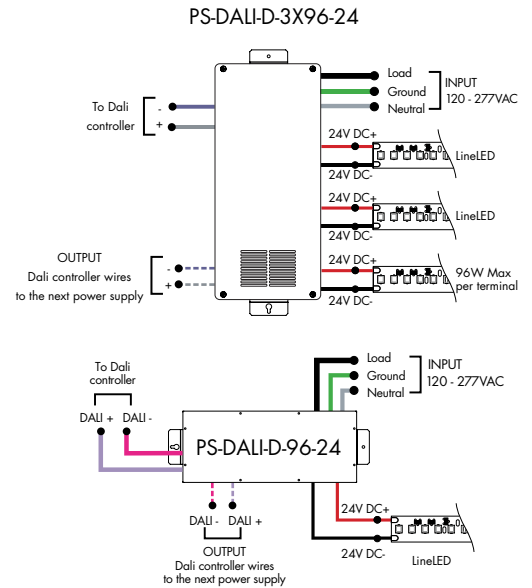
Power Supplies

See Power Supply instructions and spec sheet for wiring information. For a complete list of compatible dimmers, see Compatible Dimming Chart on the Resources page.

Ordering Code DALI Dimming Power Supplies 0.1% 120VAC - 277VAC

MODEL	INPUT CONTROL	ENVIRONMENT	WATTAGE	OUTPUT
PS-Power Supply, 120-277VAC	DALI-DALI (0.1%)	D-Dry	96-96 Watts 3X96-3X96 Watts	24-24 VDC

Model	96W	3X96
Length	14.40"	15.00"
Width	5.20"	6.62"
Depth	2.60"	4.56"

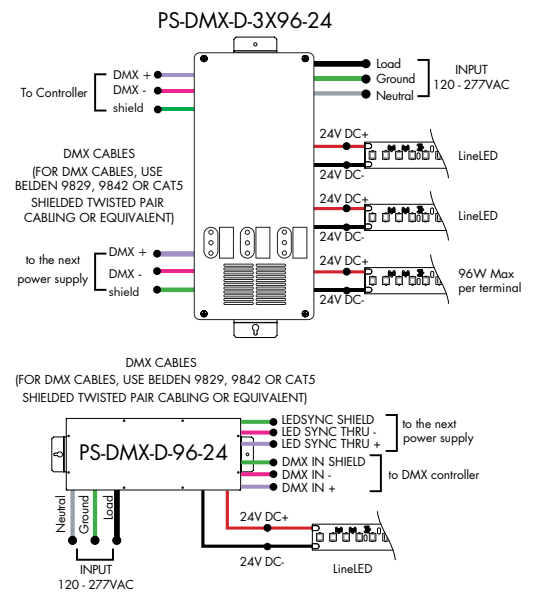


Ordering Code DMX Dimming Power Supplies 0.1% 120VAC - 277VAC Requires Zonal Control

MODEL	INPUT CONTROL	ENVIRONMENT	WATTAGE	OUTPUT
PS-Power Supply, 120-277VAC	DMX-DMX (0.1%)	D-Dry	96-96 Watts 3X96-3X96 Watts	24-24 VDC

*Zonal control power supplies. Control multiple tapes/zones using DMX channels.

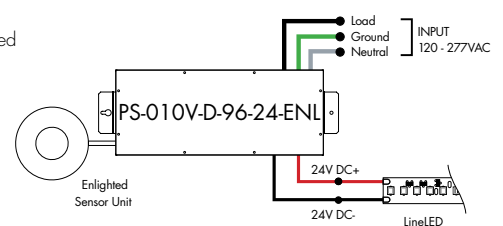
MODELS	96W	3X96
Length	14.40"	15.00"
Width	5.20"	6.62"
Depth	2.60"	4.56"



Ordering Code Enlightened Enabled Dimming Power Supplies 1% 120VAC - 277VAC

MODEL	INPUT CONTROL	ENVIRONMENT	WATTAGE	OUTPUT	FEATURE
PS-Power Supply, 120-277VAC	010V-0-10V Dimming (1%)	D-Dry	96-96 Watts	24-24 VDC	ENL-0-10V Enlightened

Model	96W
Length	14.40"
Width	5.20"
Depth	2.60"

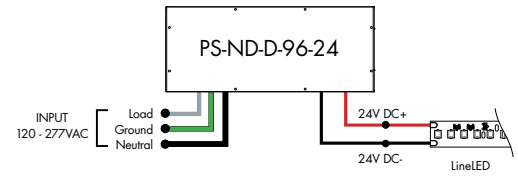


Power Supplies

See Power Supply instructions and spec sheet for wiring information. For a complete list of compatible dimmers, see Compatible Dimming Chart on the Resources page.

Ordering Code Non-Dimming Power Supply 120VAC - 277VAC

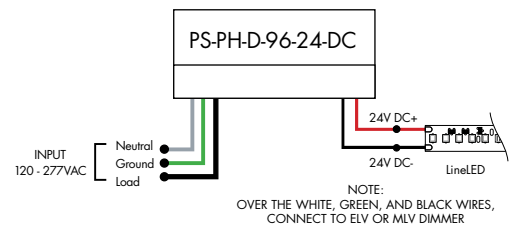
MODEL	INPUT CONTROL	ENVIRONMENT	WATTAGE	OUTPUT
PS-Power Supply, 120-277VAC	ND-Non Dimming	D-Dry	96-96 Watts	24-24 VDC



MODELS	96W
Length	14.40"
Width	5.20"
Depth	2.60"

Ordering Code Phase Dimming Power Supply 1% 120VAC - 277VAC

MODEL	INPUT CONTROL	ENVIRONMENT	WATTAGE	OUTPUT	OUTPUT CONTROL
PS-Power Supply, 120-277VAC	PH-Phase Dimming (Triac, ELV, MLV)	D-Dry	96-96 Watts	24-24 VDC	DC-Direct Current



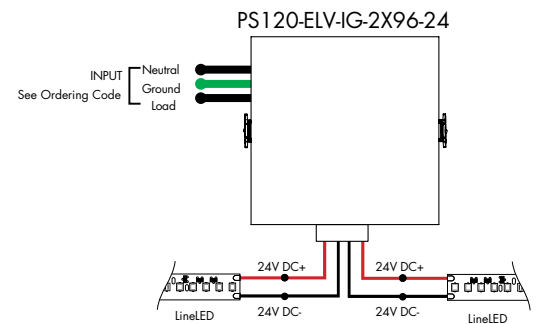
MLV/ELV/TRIAC - 1% dimming, consult dimming compatibility chart ([link](#))

MODELS	96W
Length	8.25"
Width	4.10"
Depth	1.56"

Ordering Code In-Ground Power Supplies

MODEL	INPUT CONTROL	ENVIRONMENT	WATTAGE	OUTPUT
PS120-Power Supply, 120VAC PS240-Power Supply, 240VAC PS277-Power Supply, 277VAC	ELV-ELV Dimming (1%)	IG-In Ground	2X96-2X96 Watts	24-24 VDC

MODELS	2X96W
Length	8.40"
Width	8.30"
Depth	8.10"



Power Supplies

See Power Supply instructions and spec sheet for wiring information. For a complete list of compatible dimmers, see Compatible Dimming Chart on the Resources page.



Luminii is a Lutron OEM Advantage Partner

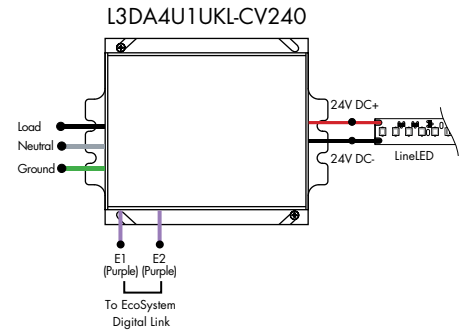
Lutron Power Supplies 1%

MODEL

L3DA4U1UKL-CV240

HiLume™ 1% EcoSystem Voltage LED driver
40W max

MODELS	L3DA4U1UKL-CV240
Length	4.98"
Width	4.00"
Depth	2.62"



Luminii is a Lutron OEM Advantage Partner

Lutron Power Supplies 0.1%

MODEL

L3D0-96W24V-U

HiLume™ 0.1% EcoSystem Voltage LED Driver with Soft-On, Fade-to-Black™
96W max

MODELS	L3D0
Length	10.50"
Width	5.50"
Depth	2.00"

