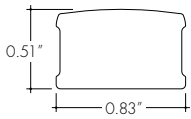


**Features**

- 24VDC Class 2 fixtures made to order up to 144". Fixtures can be linked up to 48' depending on output
- Suitable for undercabinet, millwork, surface mount, direct view, cove, and accent light applications
- Approved for closet/storage space installation per NEC 410.16(A) (3) and 410.16(C)(5) on outputs 5.7 W/ft or less
- Class 2 listed for damp locations
- Dot free even illumination with frosted lens
- High Color Quality options offer premium quality and vibrant colors with R9 values up to 97
- High Efficacy options offer best in class output and efficacy with over 880 lm/ft and up to 110 lm/W
- Proprietary strong bond solder method handles up to 50 lbs of pull force on wire leads and connectors
- Average Life (L70): 50,000hrs
- 7 year warranty

**Finish Options** (see page 3 for additional information)

- Base  Silver Anodized
- Powder Coat  Black  Bronze  White
- Premium  Matte Black  Warm Nickel  Aged Brass  Polished Gold  Chrome



**Technical Information**

MODEL	High Color Quality			High Efficacy				High Efficacy	
	60X2HO	60X2VHO	HE48LO	HE48SO	HE48MO	HE48HO	HE64VHO	HE64XHO	
<b>OUTPUT OPTIONS</b>									
<b>Lumens Output (3000K)</b> <small>(with a Clear Lens)</small>	526 lm/ft	657 lm/ft	209 lm/ft	289 lm/ft	386 lm/ft	619 lm/ft	783 lm/ft	881 lm/ft	
<b>Average Power Consumption</b> <small>(for a 4" section)</small>	7.3 W/ft	9.4 W/ft	1.9 W/ft	2.8 W/ft	3.5 W/ft	6.5 W/ft	7.5 W/ft	9.6 W/ft	
<b>Efficacy</b>	72 lm/W	70 lm/W	110 lm/W	103 lm/W	110 lm/W	95 lm/W	104 lm/W	92 lm/W	
<b>Max Run Length</b> <small>(in series)</small>	26 ft	21 ft	48 ft	42 ft	33 ft	21 ft	15 ft	13 ft	
<b>Ambient Operating Temperature Range*</b>	-5°F - 115°F <small>(-20°C - 45°C)</small>	-5°F - 105°F <small>(-20°C - 40°C)</small>	-5°F - 125°F <small>(-20°C - 50°C)</small>				-5°F - 115°F <small>(-20°C - 45°C)</small>	-5°F - 95°F <small>(-20°C - 35°C)</small>	

\*Ambient Operating Temperature Range to maintain L70 of 50k+ hours in normal mounting conditions for the fixture. Exceeding Ambient Operating Temperature Range may result in decreased life/output. Consult Technical Support for specific inquiries.

**High Color Quality (60X2)**

CCT	Multiplier <small>(reference - 3000K)</small>	CRI	TM-30		
			R <sub>f</sub>	R <sub>g</sub>	R <sub>9</sub>
2200K	0.70	96	95	101	89
2400K	0.72	98	97	101	91
2700K	0.74	97	96	101	91
3000K	1.00	97	95	104	97
3500K	1.02	97	94	105	97
4100K	1.07	97	90	99	97

**High Efficacy (HE48/HE64)**

CCT	Multiplier <small>(reference - 3000K)</small>	CRI	TM-30		
			R <sub>f</sub>	R <sub>g</sub>	R <sub>9</sub>
2200K	0.73	92	91	97	42
2500K	0.81	93	96	96	62
2700K	0.94	92	90	99	58
3000K	1.00	92	89	99	57
3500K	1.02	92	89	99	60
4000K	1.02	92	86	94	71

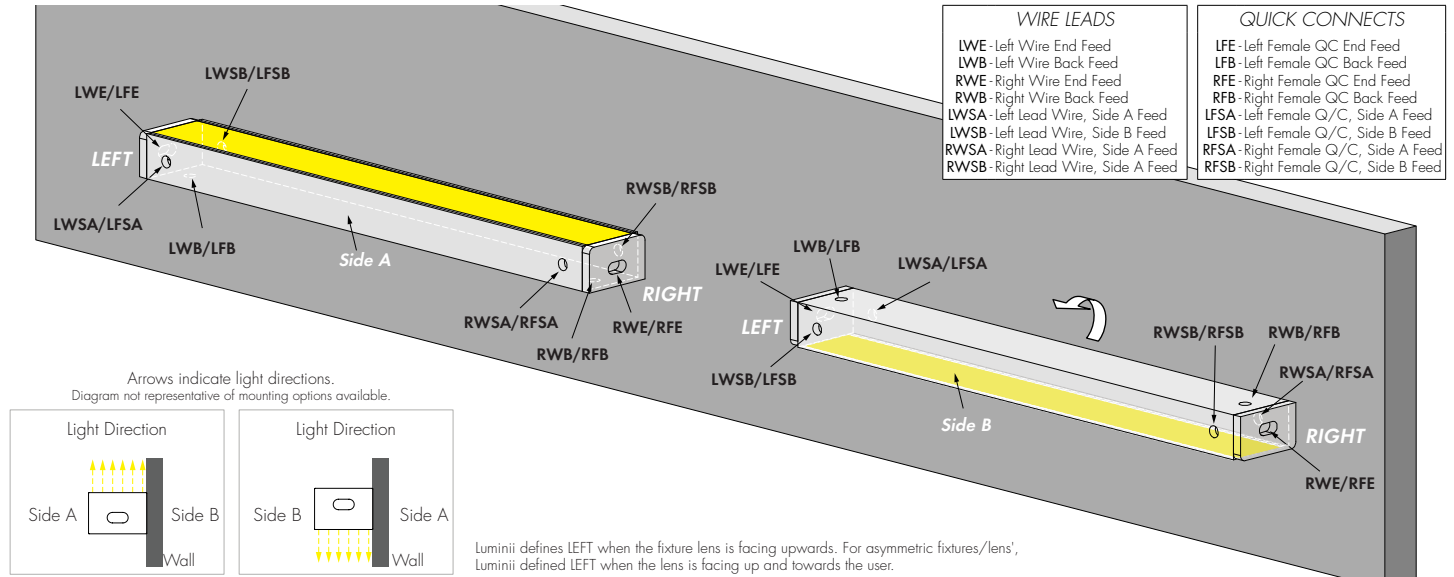
**Ordering Code**

MODEL	LENGTH <sup>1</sup>	OUTPUT <sup>2</sup>	CCT	LENS	MOUNTING	FINISH <sup>3</sup>	FEED POSITION LEFT <sup>5</sup>	FEED POSITION RIGHT <sup>5</sup>
KXL-Kendo XL	12" - 144" 2" increments	60X2HO - High 60X2VHO - Very High	22K-2200K 24K-2400K 27K-2700K 30K-3000K 35K-3500K 41K-4100K	C-Clear Lens HF-Half-Frosted F-Frosted	FC-Fixed Clip A-Adjustable Hinge Mounting FC45-Fixed Clip, 45° MAG-Magnetic	<b>BASE</b> SA-Silver Anodized  <b>POWDER COAT</b> BK-Black BZ-Bronze WH-White  <b>PREMIUM</b> MBK-Matte Black WN-Warm Nickel AB-Aged Brass PG-Polished Gold <sup>4</sup> CH-Chrome <sup>4</sup>	<b>WIRE LEADS (72")</b> LWE-Wire End Feed LWB-Wire Back Feed LWSA-Wire Side A Feed LWSB-Wire Side B Feed LNPF-No Power Feed	<b>WIRE LEADS (72")</b> RWE-Wire End Feed RWB-Wire Back Feed RWSA-Wire Side A Feed RWSB-Wire Side B Feed RNPF-No Power Feed
		HE48LO-Low HE48SO-Standard HE48MO-Medium HE48HO-High HE64VHO-Very High HE64XHO-Max	22K-2200K 25K-2500K 27K-2700K 30K-3000K 35K-3500K 40K-4000K				<b>QUICK CONNECTS (4")</b> LFE-Female Q/C, End Feed LFB-Female Q/C, Back Feed LFSB-Female Q/C, Side B Feed LNPF-No Power Feed	<b>QUICK CONNECTS (4")</b> RFE-Female Q/C, End Feed RFB-Female Q/C, Back Feed RFSB-Female Q/C, Side A Feed RNPF-No Power Feed

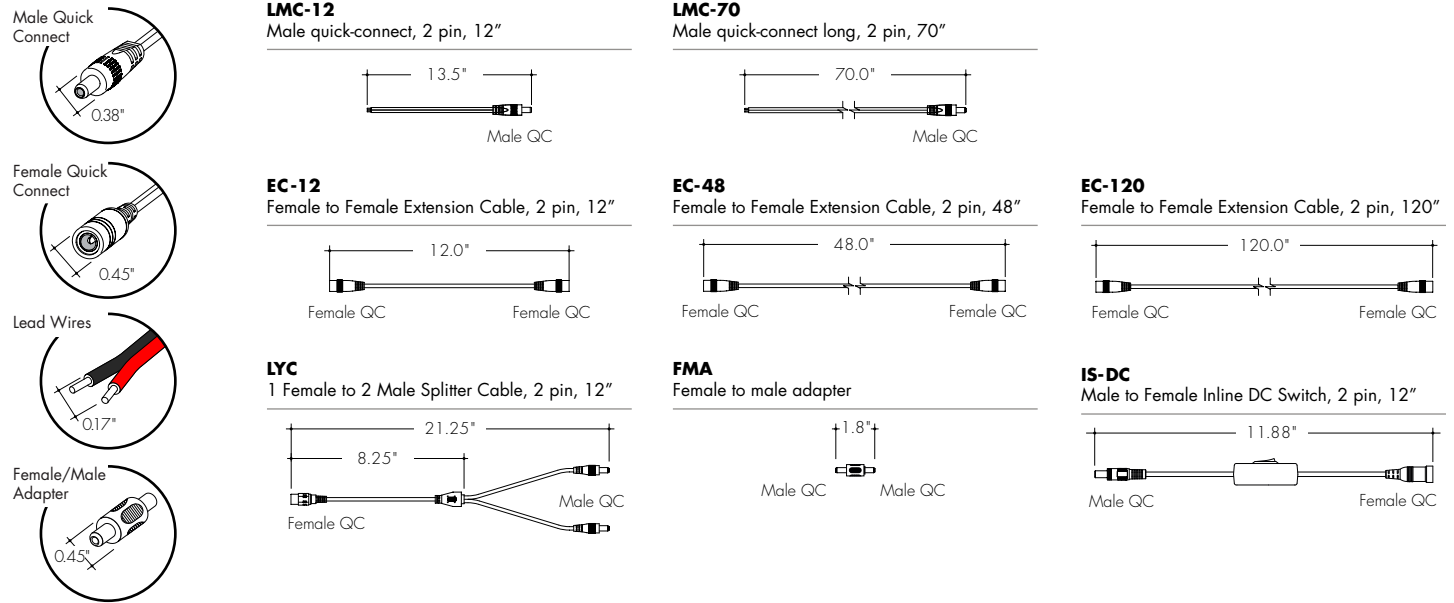
1 - Custom lengths and increments are available, please consult Inside Sales with specific request.  
 2 - All High Efficacy options can be used to comply with Title 24 JA8. High Color Quality options can be used to comply with Title 24 JA8 depending on Output, CCT, and Lens selections. See multiplier charts to calculate specific efficacies.  
 3 - Non Base finishes may have extended lead times. Custom RALs are available, please consult Inside Sales with specific request.  
 4 - Polished Gold finishes and Chrome finishes have a maximum fixture length of 96".  
 5 - LNPF - RNPF is not a valid configuration option

**Powerfeeds and Connectors**

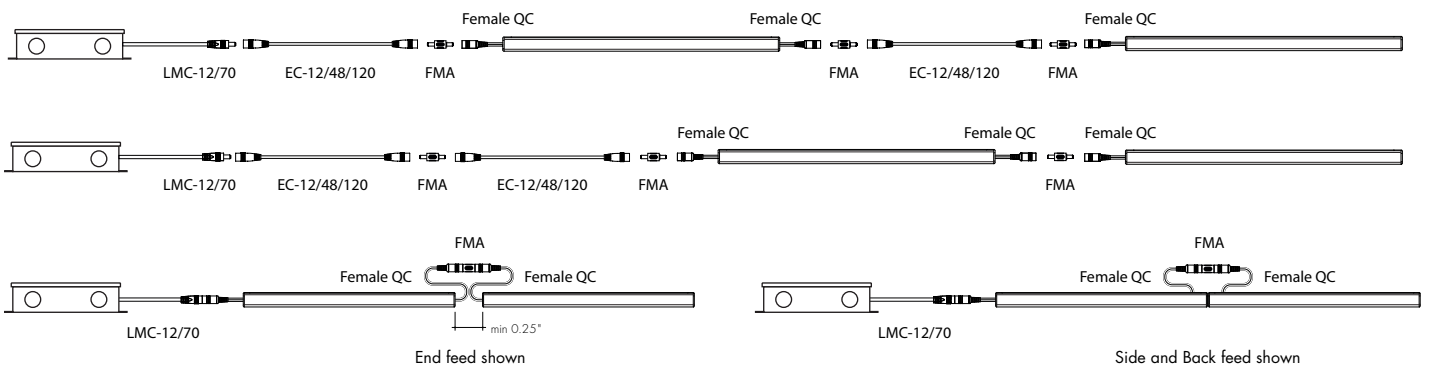
**Power Feed Position Options and Orientation**



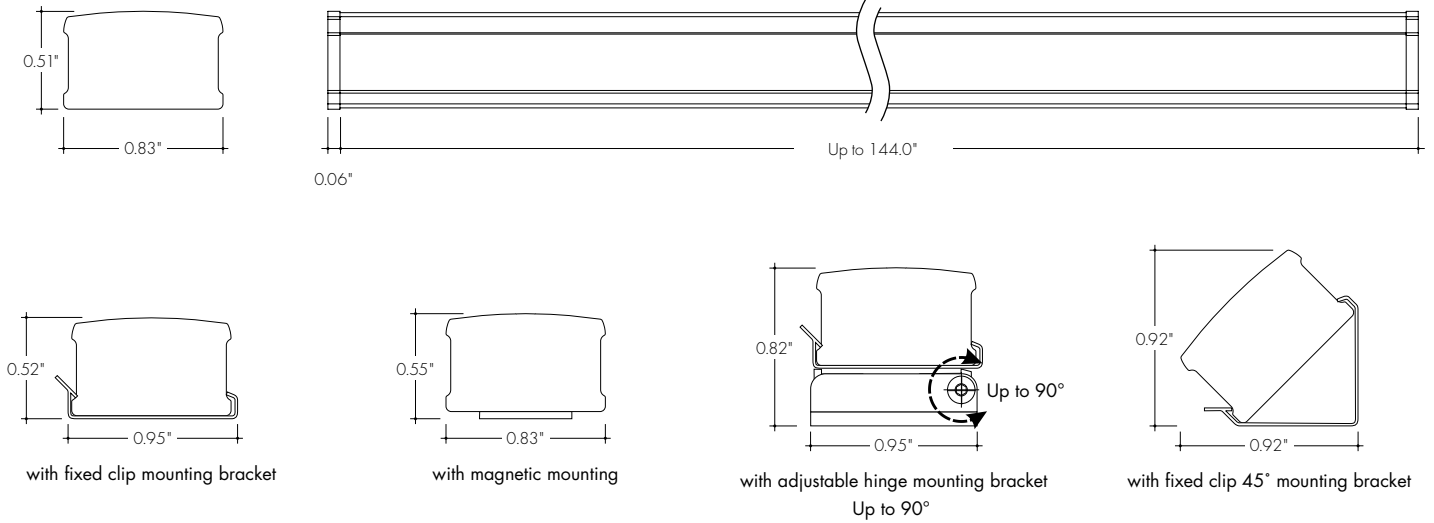
**Linking and Extension Cable Options**



**Sample Layout**



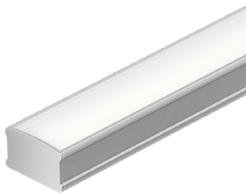
**Product Dimensions**



**Finish Options**

- Finish options are available in a wide variety, allowing for complete customization of style and aesthetic.
- Non Base finishes may have extended lead times and price adder.
- Polished Gold and Chrome finishes have a maximum fixture length of 96".
- Custom RALs are available, please consult Inside Sales with specific request.

**Silver Anodized Base**



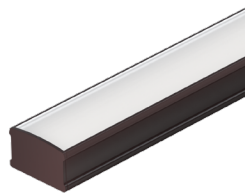
Silver Anodized is a soft silver with a clear finish.

**Black Powder Coat**



Black is a true deep black with a glossy finish.

**Bronze Powder Coat**



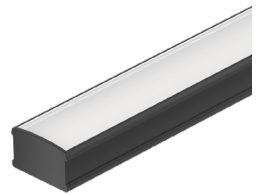
Bronze is a rich, dark brown with a satin finish.

**White Powder Coat**



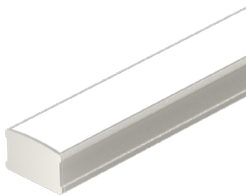
White is a polar bright white and field paintable.

**Matte Black Premium**



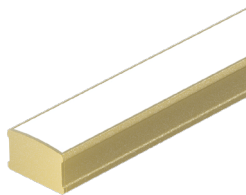
Matte Black is a dark, pitch-black with a soft flat finish.

**Warm Nickel Premium**



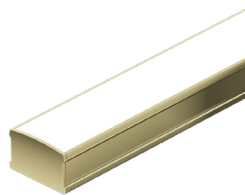
Warm Nickel is a soft, silvery smoke with warm tones and a satin finish.

**Aged Brass Premium**



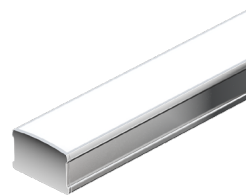
Aged Brass is a deep brown shade with slightly golden undertones.

**Polished Gold Premium**



Polished Gold is bright and radiant for a brilliant finish.

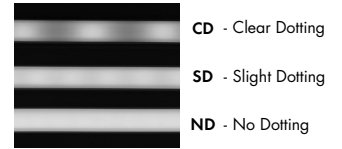
**Chrome Premium**



Chrome is a highly reflective silver polish.

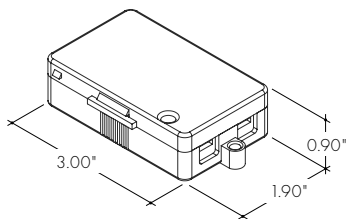
Light Transmission and Dotting

Output Options	Lens/Accessory											
	Clear Lens				Half-Frosted Lens				Frosted Lens			
Dimming Level	100%	50%	10%	1%	100%	50%	10%	1%	100%	50%	10%	1%
60X2HO	CD	CD	CD	CD	ND	ND	SD	SD	ND	ND	ND	ND
60X2VHO	CD	CD	CD	CD	ND	ND	SD	SD	ND	ND	ND	ND
HE48LO	CD	CD	CD	CD	CD	CD	CD	CD	ND	ND	ND	ND
HE48SO	CD	CD	CD	CD	CD	CD	CD	CD	ND	ND	ND	ND
HE48MO	CD	CD	CD	CD	CD	CD	CD	CD	ND	ND	ND	ND
HE48HO	CD	CD	CD	CD	CD	CD	CD	CD	ND	ND	ND	ND
HE64VHO	CD	CD	CD	CD	CD	CD	CD	CD	ND	ND	ND	ND
HE64XHO	CD	CD	CD	CD	CD	CD	CD	CD	ND	ND	ND	ND
Transmission Percentage	100%				84%				62%			

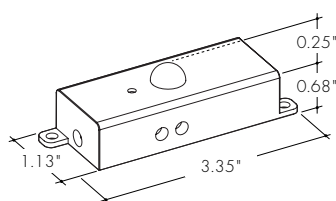


Accessory Options

**LVSP-4T-BK**  
Low Voltage, 4 Terminal Splice Box, Black

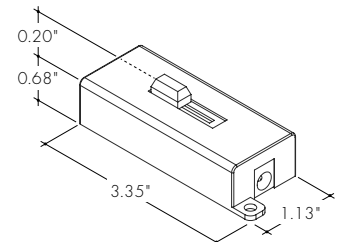


**OS-DC-F4-BK**  
Occupancy Sensor



Male Quick Connect, FMA, LMC, LYC, or IS-DC are required for input and output.

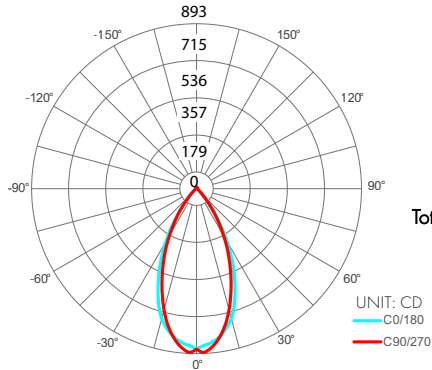
**DIM-DC-F4-BK**  
24VDC Low Voltage In-line Dimmer Module



Male Quick Connect, FMA, LMC, LYC, or IS-DC are required for input and output.

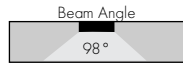
Photometry

KXL-48-60X2VHO-30K-HF  
Kendo XL, 4ft, 3000K, VHO, Half Frosted Lens



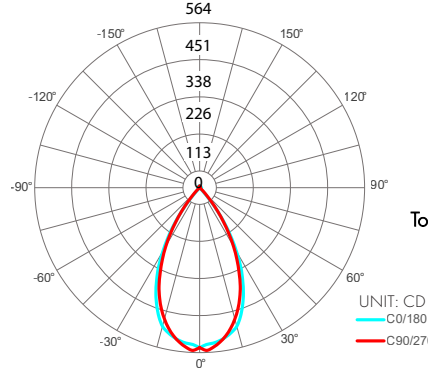
Zonal Lumen Summary 3000K

Zone	Lumen	% Fixture
0-30	628	28.5%
0-40	1013	46.0%
0-60	1725	78.3%
0-90	2167	98.4%
<b>Total</b>	<b>0-180</b>	<b>100%</b>



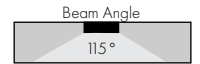
UNIT: CD  
C0/180  
C90/270

KXL-48-60X2VHO-30K-F  
Kendo XL, 4ft, 3000K, VHO, Frosted Lens



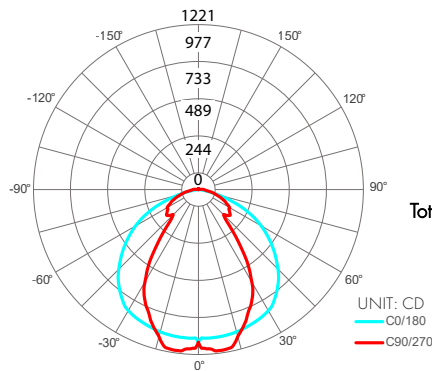
Zonal Lumen Summary 3000K

Zone	Lumen	% Fixture
0-30	417	25.5%
0-40	692	42.3%
0-60	1243	76.0%
0-90	1611	98.4%
<b>Total</b>	<b>0-180</b>	<b>100%</b>



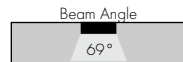
UNIT: CD  
C0/180  
C90/270

KXL-48-60X2VHO-30K-C  
Kendo XL, 4ft, 3000K, VHO, Clear Lens



Zonal Lumen Summary 3000K

Zone	Lumen	% Fixture
0-30	822	31.3%
0-40	1278	48.6%
0-60	2095	79.7%
0-90	2604	99.1%
<b>Total</b>	<b>0-180</b>	<b>100%</b>



UNIT: CD  
C0/180  
C90/270

**Power Consumption**

Tested at Full Power with PS-UNI Series power supplies.

\*For Back Feed add 4/16" (1/4") to Actual Length. Standard Nominal Lengths offered provide minimal shadowing. For alternate lengths, please consult Inside Sales with specific request.

**High Color Quality (60X2)**

Nominal Length (in)	End and Side Feed Actual Length*	Watts		Nominal Length (in)	End and Side Feed Actual Length*	Watts		Nominal Length (in)	End and Side Feed Actual Length*	Watts		Nominal Length (in)	End and Side Feed Actual Length*	Watts	
		HO	VHO			HO	VHO			HO	VHO			HO	VHO
12	11 14/16	8.3	10.4	47	-	-	-	82	-	-	-	117	-	-	-
13	-	-	-	48	47	28.2	36.0	83	82 3/16	46.3	58.1	118	117 5/16	62.1	73.0
14	13 4/16	8.9	11.3	49	48 7/16	29.3	37.4	84	83 9/16	46.7	58.6	119	118 12/16	62.5	73.4
15	14 11/16	9.5	12.1	50	49 13/16	29.9	38.1	85	85	47.2	59.2	120	-	-	-
16	-	-	-	51	-	-	-	86	-	-	-	121	120 2/16	63.5	74.2
17	16 1/16	10.1	12.9	52	51 4/16	31.0	39.5	87	86 6/16	48.1	60.4	122	121 9/16	63.8	74.3
18	17 8/16	11.3	14.5	53	52 10/16	31.5	40.2	88	87 13/16	48.5	61.0	123	122 15/16	64.2	74.4
19	18 14/16	11.9	15.3	54	-	-	-	89	-	-	-	124	-	-	-
20	-	-	-	55	54 1/16	32.1	40.9	90	89 3/16	49.4	62.2	125	124 6/16	64.9	74.6
21	20 5/16	13.1	16.9	56	55 7/16	33.1	42.3	91	90 10/16	49.9	62.8	126	125 12/16	65.2	74.7
22	21 11/16	13.7	17.7	57	56 14/16	33.7	43.0	92	-	-	-	127	-	-	-
23	-	-	-	58	-	-	-	93	92	50.3	63.4	128	127 3/16	65.9	74.9
24	23 2/16	14.3	18.5	59	58 4/16	34.8	44.4	94	93 7/16	51.2	64.6	129	128 9/16	66.3	75.0
25	24 8/16	15.5	20.2	60	59 11/16	35.3	45.1	95	94 13/16	51.7	65.2	130	130	66.6	75.1
26	25 15/16	16.1	20.9	61	-	-	-	96	-	-	-	131	-	-	-
27	-	-	-	62	61 1/16	35.9	45.8	97	96 4/16	52.6	66.4	132	131 6/16	67.3	75.3
28	27 5/16	17.3	22.4	63	62 8/16	36.9	47.0	98	97 10/16	53.0	66.7	133	132 13/16	67.6	75.4
29	28 12/16	17.9	23.2	64	63 14/16	37.4	47.6	99	-	-	-	134	-	-	-
30	-	-	-	65	-	-	-	100	99 1/16	53.5	66.9	135	134 3/16	68.2	75.8
31	30 2/16	19.1	24.7	66	65 5/16	38.4	48.7	101	100 7/16	54.4	67.4	136	135 10/16	68.5	76.0
32	31 9/16	19.7	25.4	67	66 11/16	38.9	49.3	102	101 14/16	54.8	67.6	137	-	-	-
33	32 15/16	20.3	26.2	68	-	-	-	103	-	-	-	138	137	68.8	76.2
34	-	-	-	69	68 2/16	39.4	49.9	104	103 4/16	55.7	68.1	139	138 7/16	69.3	76.7
35	34 6/16	21.6	27.7	70	69 8/16	40.4	51.1	105	104 11/16	56.1	68.4	140	139 13/16	69.6	76.9
36	35 12/16	22.2	28.4	71	70 15/16	40.9	51.7	106	-	-	-	141	-	-	-
37	-	-	-	72	-	-	-	107	106 1/16	56.5	68.6	142	141 4/16	70.2	77.4
38	37 3/16	23.3	29.9	73	72 5/16	41.9	52.9	108	107 8/16	57.4	69.1	143	142 10/16	70.5	77.6
39	38 9/16	23.9	30.5	74	73 12/16	42.4	53.5	109	108 14/16	57.9	69.3	144	-	-	-
40	40	24.4	31.2	75	-	-	-	110	-	-	-	-	-	-	-
41	-	-	-	76	75 2/16	43.2	54.5	111	110 5/16	58.8	70.1	-	-	-	-
42	41 6/16	25.5	32.6	77	76 9/16	43.7	55.0	112	111 11/16	59.3	70.5	-	-	-	-
43	42 13/16	26.0	33.3	78	77 15/16	44.1	55.5	113	-	-	-	-	-	-	-
44	-	-	-	79	-	-	-	114	113 2/16	59.7	70.9	-	-	-	-
45	44 3/16	27.1	34.7	80	79 6/16	45.0	56.6	115	114 8/16	60.7	71.8	-	-	-	-
46	45 10/16	27.7	35.3	81	80 12/16	45.4	57.1	116	115 15/16	61.1	72.2	-	-	-	-

**Power Consumption**

Tested at Full Power with PS-UNI Series power supplies.

\*For Back Feed add 4/16" (1/4") to Actual Length. Standard Nominal Lengths offered provide minimal shadowing. For alternate lengths, please consult Inside Sales with specific request.

**High Efficacy (HE48)**

Nominal Length (in)	End and Side Feed Actual Length*	Watts				Nominal Length (in)	End and Side Feed Actual Length*	Watts				Nominal Length (in)	End and Side Feed Actual Length*	Watts				Nominal Length (in)	End and Side Feed Actual Length*	Watts			
		LO	SO	MO	HO			LO	SO	MO	HO			LO	SO	MO	HO			LO	SO	MO	HO
12	10 7/16	1.7	2.5	3.5	5.7	47	-	-	-	-	82	81 5/16	12.5	19.9	23.9	42.2	117	116 12/16	17.5	27.7	34.3	58.7	
13	12 7/16	1.7	2.5	3.5	5.7	48	47 14/16	7.1	11.2	13.9	25.4	83	-	-	-	-	118	-	-	-	-	-	
14	-	-	-	-	-	49	-	-	-	-	84	83 5/16	12.8	20.3	24.5	43.1	119	118 12/16	17.8	28.1	34.9	59.6	
15	14 6/16	2.0	3.0	4.0	7.2	50	49 13/16	7.4	11.7	14.5	26.3	85	-	-	-	-	120	-	-	-	-	-	
16	-	-	-	-	-	51	-	-	-	-	86	85 4/16	13.1	20.8	25.1	44.1	121	120 11/16	18.1	28.6	35.5	60.5	
17	16 6/16	2.4	3.5	4.6	8.7	52	51 13/16	7.7	12.3	15.1	27.4	87	-	-	-	-	122	-	-	-	-	-	
18	-	-	-	-	-	53	-	-	-	-	88	87 4/16	13.4	21.3	25.7	45.0	123	122 11/16	18.3	29.0	36.0	62.1	
19	18 5/16	2.7	3.9	5.2	10.2	54	53 12/16	8.0	12.9	15.7	28.5	89	-	-	-	-	124	-	-	-	-	-	
20	-	-	-	-	-	55	-	-	-	-	90	89 3/16	13.7	21.7	26.3	46.0	125	124 10/16	18.4	29.5	36.6	63.8	
21	20 5/16	3.0	4.4	5.8	11.7	56	55 12/16	8.4	13.5	16.4	29.5	91	-	-	-	-	126	-	-	-	-	-	
22	-	-	-	-	-	57	-	-	-	-	92	91 3/16	14.0	22.1	26.9	47.0	127	126 10/16	18.6	29.9	37.2	65.4	
23	22 4/16	3.4	4.9	6.4	13.2	58	57 11/16	8.7	14.0	17.0	30.6	93	-	-	-	-	128	-	-	-	-	-	
24	-	-	-	-	-	59	-	-	-	-	94	93 2/16	14.3	22.6	27.5	47.9	129	128 9/16	18.8	30.4	37.7	67.0	
25	24 4/16	3.7	5.4	7.0	14.7	60	59 11/16	9.0	14.6	17.6	31.6	95	-	-	-	-	130	-	-	-	-	-	
26	-	-	-	-	-	61	-	-	-	-	96	95 2/16	14.4	22.8	27.8	48.4	131	130 9/16	18.9	30.8	38.3	68.6	
27	26 3/16	4.1	5.9	7.5	15.8	62	61 10/16	9.4	15.2	18.2	32.6	97	-	-	-	-	132	-	-	-	-	-	
28	-	-	-	-	-	63	-	-	-	-	98	97 1/16	14.7	23.3	28.5	49.4	133	132 8/16	19.1	31.2	38.9	70.2	
29	28 3/16	4.4	6.4	8.1	16.8	64	63 10/16	9.7	15.6	18.7	33.7	99	-	-	-	-	134	-	-	-	-	-	
30	-	-	-	-	-	65	-	-	-	-	100	99 1/16	15.0	23.7	29.0	50.4	135	134 8/16	19.3	31.8	39.4	70.7	
31	30 2/16	4.8	6.9	8.7	17.9	66	65 9/16	10.0	16.1	19.2	34.7	101	-	-	-	-	136	-	-	-	-	-	
32	-	-	-	-	-	67	-	-	-	-	102	101	15.3	24.1	29.6	51.3	137	136 7/16	19.5	32.3	40.0	71.2	
33	32 2/16	5.0	7.2	9.0	18.5	68	67 9/16	10.4	16.5	19.8	35.7	103	103	15.6	24.6	30.2	52.3	138	-	-	-	-	-
34	-	-	-	-	-	69	-	-	-	-	104	-	-	-	-	-	139	138 7/16	19.8	32.8	40.6	71.8	
35	34 1/16	5.4	7.7	9.6	19.5	70	69 8/16	10.7	17.0	20.3	36.7	105	104 15/16	15.8	25.0	30.7	53.2	140	-	-	-	-	-
36	-	-	-	-	-	71	-	-	-	-	106	-	-	-	-	-	141	140 6/16	20.0	33.3	41.1	72.3	
37	36 1/16	5.7	8.2	10.2	20.6	72	71 8/16	11.0	17.4	20.8	37.7	107	106 15/16	16.1	25.5	31.3	54.2	142	-	-	-	-	-
38	-	-	-	-	-	73	-	-	-	-	108	-	-	-	-	-	143	142 6/16	20.2	33.9	41.7	72.8	
39	38	6.0	8.7	10.8	21.5	74	73 7/16	11.3	17.9	21.4	38.7	109	108 14/16	16.4	25.9	31.9	55.2	144	-	-	-	-	-
40	40	6.2	9.2	11.4	22.3	75	-	-	-	-	110	-	-	-	-	-	-	-	-	-	-	-	-
41	-	-	-	-	-	76	75 7/16	11.6	18.4	22.0	39.6	111	110 14/16	16.7	26.4	32.5	56.1	-	-	-	-	-	-
42	41 15/16	6.4	9.7	12.0	23.1	77	-	-	-	-	112	-	-	-	-	-	-	-	-	-	-	-	-
43	-	-	-	-	-	78	77 6/16	11.9	18.9	22.7	40.5	113	112 13/16	17.0	26.8	33.1	57.0	-	-	-	-	-	-
44	43 15/16	6.7	10.2	12.6	23.9	79	-	-	-	-	114	-	-	-	-	-	-	-	-	-	-	-	-
45	-	-	-	-	-	80	79 6/16	12.2	19.4	23.3	41.4	115	114 13/16	17.3	27.3	33.7	57.9	-	-	-	-	-	-
46	45 14/16	6.9	10.7	13.3	24.7	81	-	-	-	-	116	-	-	-	-	-	-	-	-	-	-	-	-

**Power Consumption**

Tested at Full Power with PS-UNI Series power supplies.

\*For Back Feed add 4/16" (1/4") to Actual Length. Standard Nominal Lengths offered provide minimal shadowing. For alternate lengths, please consult Inside Sales with specific request.

**High Efficacy (HE64)**

Nominal Length (in)	End and Side Feed Actual Length*	Watts		Nominal Length (in)	End and Side Feed Actual Length*	Watts		Nominal Length (in)	End and Side Feed Actual Length*	Watts		Nominal Length (in)	End and Side Feed Actual Length*	Watts	
		VHO	XHO			VHO	XHO			VHO	XHO			VHO	XHO
<b>12</b>	11 4/16	7.6	9.7	<b>47</b>	46 1/16	28.2	35.9	<b>82</b>	—	—	—	<b>117</b>	—	—	—
<b>13</b>	12 12/16	7.6	9.7	<b>48</b>	47 9/16	29.5	37.6	<b>83</b>	82 6/16	51.7	63.4	<b>118</b>	117 4/16	72.8	80.7
<b>14</b>	—	—	—	<b>49</b>	—	—	—	<b>84</b>	83 15/16	52.3	63.8	<b>119</b>	118 12/16	73.3	81.0
<b>15</b>	14 4/16	8.9	11.3	<b>50</b>	49 1/16	30.1	38.4	<b>85</b>	—	—	—	<b>120</b>	—	—	—
<b>16</b>	15 12/16	9.5	12.1	<b>51</b>	50 10/16	31.4	40.2	<b>86</b>	85 7/16	53.6	64.7	<b>121</b>	120 4/16	74.4	81.7
<b>17</b>	—	—	—	<b>52</b>	—	—	—	<b>87</b>	86 15/16	54.2	65.3	<b>122</b>	121 12/16	74.8	82.0
<b>18</b>	17 5/16	10.7	13.6	<b>53</b>	52 2/16	32.0	41.1	<b>88</b>	—	—	—	<b>123</b>	—	—	—
<b>19</b>	18 13/16	11.4	14.4	<b>54</b>	53 10/16	33.3	42.9	<b>89</b>	88 7/16	55.5	66.3	<b>124</b>	123 4/16	75.6	82.5
<b>20</b>	—	—	—	<b>55</b>	—	—	—	<b>90</b>	89 15/16	56.2	66.8	<b>125</b>	124 13/16	76.0	82.8
<b>21</b>	20 5/16	12.6	16.0	<b>56</b>	55 2/16	34.0	43.8	<b>91</b>	—	—	—	<b>126</b>	—	—	—
<b>22</b>	21 13/16	13.2	16.8	<b>57</b>	56 10/16	35.2	45.5	<b>92</b>	91 8/16	57.5	67.9	<b>127</b>	126 5/16	76.8	83.4
<b>23</b>	—	—	—	<b>58</b>	—	—	—	<b>93</b>	93	58.2	68.4	<b>128</b>	127 13/16	77.2	83.6
<b>24</b>	23 5/16	14.5	18.3	<b>59</b>	58 3/16	36.5	47.3	<b>94</b>	—	—	—	<b>129</b>	—	—	—
<b>25</b>	24 14/16	15.1	19.1	<b>60</b>	59 11/16	37.2	48.2	<b>95</b>	94 8/16	59.5	69.5	<b>130</b>	129 5/16	78.0	84.2
<b>26</b>	—	—	—	<b>61</b>	—	—	—	<b>96</b>	—	—	—	<b>131</b>	130 14/16	78.4	84.5
<b>27</b>	26 6/16	16.4	20.7	<b>62</b>	61 3/16	38.4	50.0	<b>97</b>	96	60.1	70.0	<b>132</b>	—	—	—
<b>28</b>	27 14/16	17.0	21.4	<b>63</b>	62 11/16	39.1	50.8	<b>98</b>	97 9/16	61.4	71.1	<b>133</b>	132 6/16	79.2	85.0
<b>29</b>	—	—	—	<b>64</b>	—	—	—	<b>99</b>	—	—	—	<b>134</b>	133 14/16	79.6	85.4
<b>30</b>	29 6/16	18.2	23.0	<b>65</b>	64 4/16	40.4	52.5	<b>100</b>	99 1/16	62.0	71.7	<b>135</b>	—	—	—
<b>31</b>	30 15/16	18.9	23.8	<b>66</b>	65 12/16	41.0	53.4	<b>101</b>	100 9/16	63.2	72.9	<b>136</b>	135 6/16	80.3	86.2
<b>32</b>	—	—	—	<b>67</b>	—	—	—	<b>102</b>	—	—	—	<b>137</b>	136 14/16	80.6	86.6
<b>33</b>	32 7/16	20.1	25.3	<b>68</b>	67 4/16	42.3	55.1	<b>103</b>	102 1/16	63.8	73.5	<b>138</b>	—	—	—
<b>34</b>	33 15/16	20.7	26.1	<b>69</b>	68 12/16	42.9	55.9	<b>104</b>	103 9/16	65.0	74.7	<b>139</b>	138 7/16	81.3	87.5
<b>35</b>	—	—	—	<b>70</b>	—	—	—	<b>105</b>	—	—	—	<b>140</b>	139 15/16	81.7	87.9
<b>36</b>	35 7/16	22.0	27.6	<b>71</b>	70 4/16	44.2	57.6	<b>106</b>	105 2/16	65.6	75.3	<b>141</b>	—	—	—
<b>37</b>	36 15/16	22.6	28.4	<b>72</b>	71 13/16	44.9	58.5	<b>107</b>	106 10/16	66.8	76.5	<b>142</b>	141 7/16	82.4	88.7
<b>38</b>	—	—	—	<b>73</b>	—	—	—	<b>108</b>	—	—	—	<b>143</b>	142 15/16	82.7	89.1
<b>39</b>	38 8/16	23.9	30.1	<b>74</b>	73 5/16	46.1	59.7	<b>109</b>	108 2/16	67.4	77.1	<b>144</b>	—	—	—
<b>40</b>	40	24.5	30.9	<b>75</b>	74 13/16	46.7	60.1	<b>110</b>	109 10/16	68.5	78.0				
<b>41</b>	—	—	—	<b>76</b>	—	—	—	<b>111</b>	—	—	—				
<b>42</b>	41 8/16	25.7	32.6	<b>77</b>	76 5/16	48.0	60.9	<b>112</b>	111 3/16	69.6	78.7				
<b>43</b>	—	—	—	<b>78</b>	77 14/16	48.6	61.3	<b>113</b>	112 11/16	70.1	79.0				
<b>44</b>	43	26.4	33.4	<b>79</b>	—	—	—	<b>114</b>	—	—	—				
<b>45</b>	44 9/16	27.6	35.1	<b>80</b>	79 6/16	49.8	62.2	<b>115</b>	114 3/16	71.2	79.7				
<b>46</b>	—	—	—	<b>81</b>	80 14/16	50.4	62.6	<b>116</b>	115 11/16	71.7	80.0				



### Voltage Drop Calculator

The below chart assumes nominal voltage of 24 Volts and a Voltage Drop Allowance of 3% through the wire

Wattage [W]	Maximum Wire Length From Power Supply to Start of Run [ft]						
	12 AWG	14 AWG	16 AWG	18 AWG	20 AWG	22 AWG	24 AWG
<b>5</b>	1088.2	684.4	430.3	270.6	170.2	107.1	67.3
<b>10</b>	544.1	342.2	215.1	135.3	85.1	53.5	33.7
<b>15</b>	362.7	228.1	143.4	90.2	56.7	35.7	22.4
<b>20</b>	272.0	171.1	107.6	67.7	42.6	26.8	16.8
<b>25</b>	217.6	136.9	86.1	54.1	34.0	21.4	13.5
<b>30</b>	181.4	114.1	71.7	45.1	28.4	17.8	11.2
<b>35</b>	155.5	97.8	61.5	38.7	24.3	15.3	9.6
<b>40</b>	136.0	85.5	53.8	33.8	21.3	13.4	8.4
<b>45</b>	120.9	76.0	47.8	30.1	18.9	11.9	7.5
<b>50</b>	108.8	68.4	43.0	27.1	17.0	10.7	6.7
<b>55</b>	98.9	62.2	39.1	24.6	15.5	9.7	6.1
<b>60</b>	90.7	57.0	35.9	22.6	14.2	8.9	5.6
<b>65</b>	83.7	52.6	33.1	20.8	13.1	8.2	5.2
<b>70</b>	77.7	48.9	30.7	19.3	12.2	7.6	4.8
<b>75</b>	72.5	45.6	28.7	18.0	11.3	7.1	4.5
<b>80</b>	68.0	42.8	26.9	16.9	10.6	6.7	4.2
<b>85</b>	64.0	40.3	25.3	15.9	10.0	6.3	4.0
<b>90</b>	60.5	38.0	23.9	15.0	9.5	5.9	3.7
<b>96</b>	56.7	35.6	22.4	14.1	8.9	5.6	3.5

**Power Supplies**

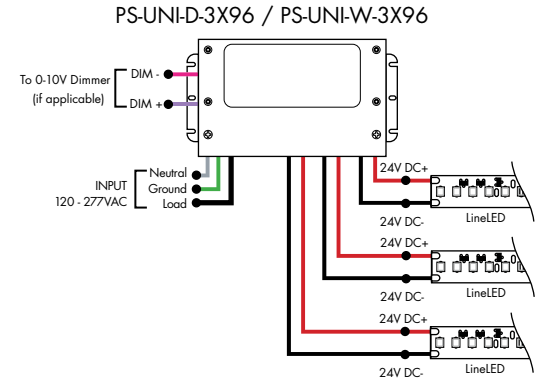
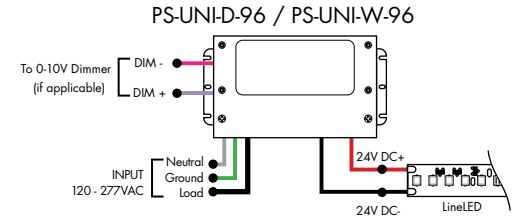
See Power Supply instructions and spec sheet for wiring information. For a complete list of compatible dimmers, see Compatible Dimming Chart on the Resources page.

**Ordering Code Universal Dimming Power Supplies 1% 120VAC - 277VAC**

MODEL	INPUT CONTROL	ENVIRONMENT	WATTAGE	OUTPUT
PS-Power Supply, 120-277VAC	UNI-0-10V Dimming, Phase Dimming	D-Dry W-Wet	30-30 Watts 60-60 Watts 96-96 Watts 3x96-3x96 Watts	24-24 VDC

Compatibility: View a complete list of compatible dimmers on product page [\(Link\)](#)

0-10V - 1% dimming  
MLV/ELV/TRIAC - 1% dimming, consult dimming compatibility chart



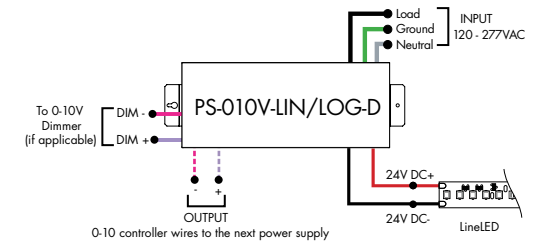
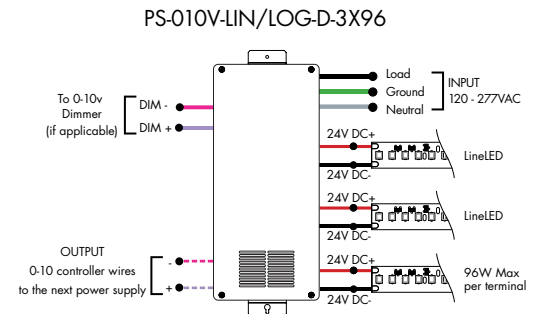
MODELS	PS-UNI-W-30W	PS-UNI-W-60W	PS-UNI-W-96W	PS-UNI-W-3X96W
<b>Length</b>	6.50"	7.40"	8.66"	11.85"
<b>Width</b>	3.73"	3.73"	3.73"	4.32"
<b>Depth</b>	1.61"	1.61"	1.61"	1.81"

MODELS	PS-UNI-D-30W	PS-UNI-D-60W	PS-UNI-D-96W	PS-UNI-D-3X96W
<b>Length</b>	8.77"	8.77"	8.11"	9.94"
<b>Width</b>	4.27"	4.27"	5.60"	7.61"
<b>Depth</b>	1.83"	1.83"	1.83"	2.02"

**Ordering Code 0-10V Dimming Power Supplies 0.1% 120VAC - 277VAC**

MODEL	INPUT CONTROL	ENVIRONMENT	WATTAGE	OUTPUT
PS-Power Supply, 120-277VAC	010V-LIN-0-10V Dimming (0.1%), Linear 010V-LOG-0-10V Dimming (0.1%), Logarithmic	D-Dry	96-96 Watts 3X96-3x96 Watts	24-24 VDC

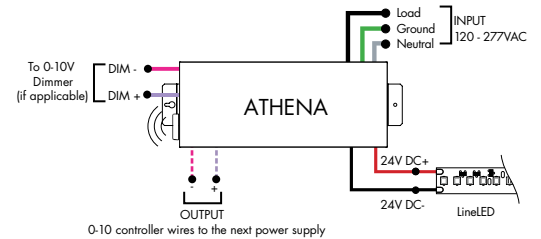
MODELS	96W	3X96
<b>Length</b>	14.40"	15.00"
<b>Width</b>	5.20"	6.62"
<b>Depth</b>	2.60"	4.45"



**Athena 0-10V LED Driver**

MODEL	INPUT CONTROL	ENVIRONMENT	WATTAGE	OUTPUT	FEATURE
PS-Power Supply, 120-277VAC	010V-LIN-0-10V Dimming, Linear 010V-LOG-0-10V Dimming, Logarithmic	D-Dry	96-96 W	24-24 VDC	AWNR-Athena

MODELS	96W
<b>Length</b>	14.40"
<b>Width</b>	5.20"
<b>Depth</b>	2.60"



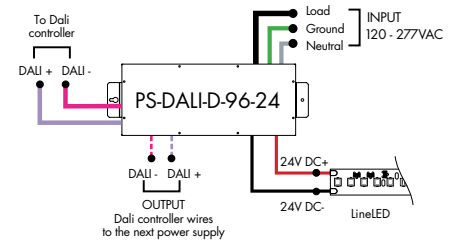
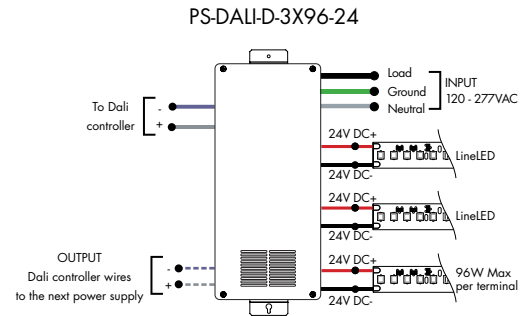
**Power Supplies**

See Power Supply instructions and spec sheet for wiring information. For a complete list of compatible dimmers, see Compatible Dimming Chart on the Resources page.

**Ordering Code DALI1 Dimming Power Supplies 0.1% 120VAC - 277VAC**

MODEL	INPUT CONTROL	ENVIRONMENT	WATTAGE	OUTPUT
PS-Power Supply, 120-277VAC	DALI-DALI (0.1%)	D-Dry	96-96 Watts 3X96-3X96 Watts	24-24 VDC

Model	96W	3X96
Length	14.40"	15.00"
Width	5.20"	6.62"
Depth	2.60"	4.56"

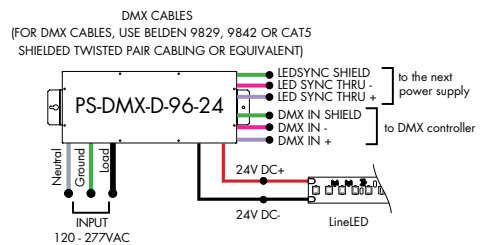
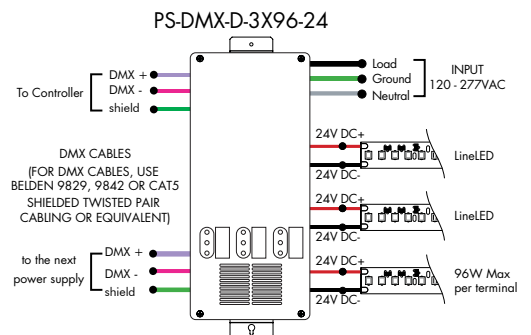


**Ordering Code DMX Dimming Power Supplies 0.1% 120VAC - 277VAC** Requires Zonal Control

MODEL	INPUT CONTROL	ENVIRONMENT	WATTAGE	OUTPUT
PS-Power Supply, 120-277VAC	DMX-DMX (0.1%)	D-Dry	96-96 Watts 3X96-3X96 Watts	24-24 VDC

\*Zonal control power supplies. Control multiple tapes/zones using DMX channels.

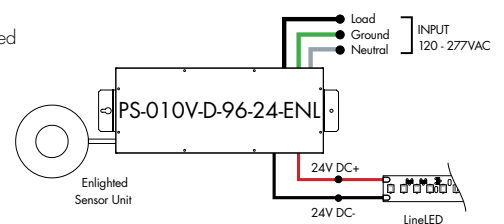
MODELS	96W	3X96
Length	14.40"	15.00"
Width	5.20"	6.62"
Depth	2.60"	4.56"



**Ordering Code Enlighted Enabled Dimming Power Supplies 1% 120VAC - 277VAC**

MODEL	INPUT CONTROL	ENVIRONMENT	WATTAGE	OUTPUT	FEATURE
PS-Power Supply, 120-277VAC	010V-0-10V Dimming (1%)	D-Dry	96-96 Watts	24-24 VDC	ENL-0-10V Enlightened

Model	96W
Length	14.40"
Width	5.20"
Depth	2.60"

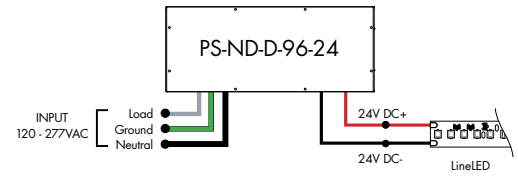


## Power Supplies

See Power Supply instructions and spec sheet for wiring information. For a complete list of compatible dimmers, see Compatible Dimming Chart on the Resources page.

### Ordering Code Non-Dimming Power Supply 120VAC - 277VAC

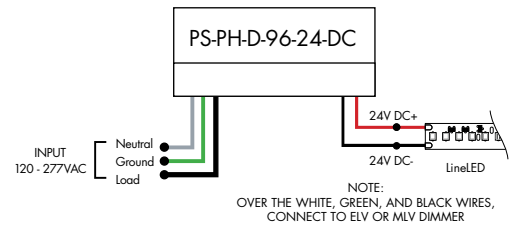
MODEL	INPUT CONTROL	ENVIRONMENT	WATTAGE	OUTPUT
PS - Power Supply, 120-277VAC	ND - Non Dimming	D - Dry	96-96 Watts	24 - 24 VDC



MODELS	96W
Length	14.40"
Width	5.20"
Depth	2.60"

### Ordering Code Phase Dimming Power Supply 1% 120VAC - 277VAC

MODEL	INPUT CONTROL	ENVIRONMENT	WATTAGE	OUTPUT	OUTPUT CONTROL
PS - Power Supply, 120-277VAC	PH - Phase Dimming (Triac, ELV, MLV)	D - Dry	96 - 96 Watts	24 - 24 VDC	DC - Direct Current

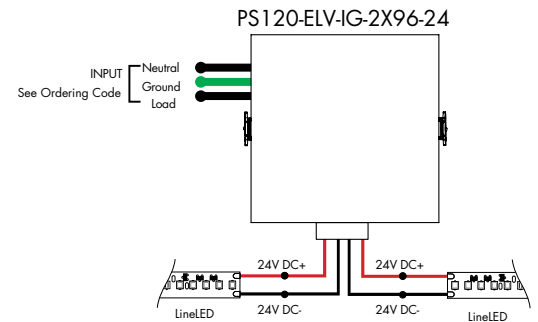


MLV/ELV/TRIAC - 1% dimming, consult dimming compatibility chart ([link](#))

MODELS	96W
Length	8.25"
Width	4.10"
Depth	1.56"

### Ordering Code In-Ground Power Supplies

MODEL	INPUT CONTROL	ENVIRONMENT	WATTAGE	OUTPUT
PS120 - Power Supply, 120VAC PS240 - Power Supply, 240VAC PS277 - Power Supply, 277VAC	ELV - ELV Dimming (1%)	IG - In Ground	2X96 - 2X96 Watts	24 - 24 VDC



MODELS	2X96W
Length	8.40"
Width	8.30"
Depth	8.10"

**Power Supplies**

See Power Supply instructions and spec sheet for wiring information. For a complete list of compatible dimmers, see Compatible Dimming Chart on the Resources page.



Luminii is a Lutron OEM Advantage Partner

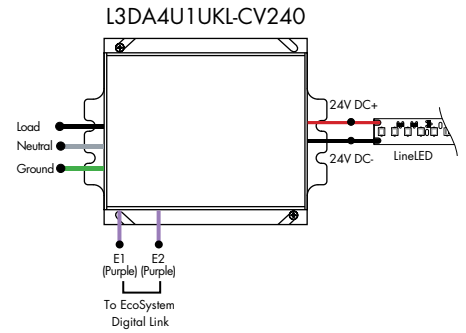
**Lutron Power Supplies 1%**

MODEL

**L3DA4U1UKL-CV240**

HiLume™ 1% EcoSystem Voltage LED driver  
40W max

MODELS	L3DA4U1UKL-CV240
<b>Length</b>	4.98"
<b>Width</b>	4.00"
<b>Depth</b>	2.62"



Luminii is a Lutron OEM Advantage Partner

**Lutron Power Supplies 0.1%**

MODEL

**L3D0-96W24V-U**

HiLume™ 0.1% EcoSystem Voltage LED Driver with Soft-On, Fade-to-Black™  
96W max

MODELS	L3D0
<b>Length</b>	10.50"
<b>Width</b>	5.50"
<b>Depth</b>	2.00"

