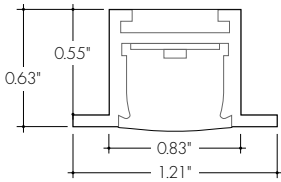


**Features**



- 24VDC Class 2 and IP68 rated for wet locations, fixtures made to order up to 144". Fixtures can be linked up to 48' depending on output
- Suitable for millwork, recessed, wet, outdoor, architectural reveals, and accent light applications
- Dot free even illumination with frosted lens
- Average Life (L70): 50,000hrs
- 3 year warranty
- High Color Quality options offer premium quality and vibrant colors with R9 values up to 97
- High Efficacy options offer best in class output and efficacy with over 740 lm/ft and up to 105 lm/W
- Proprietary strong bond solder method handles up to 50 lbs of pull force on wire leads and connectors



**Finish Options** (see page 3 for additional information)

- Base  Silver Anodized
- Powder Coat  Black  Bronze  White
- Premium  Matte Black  Warm Nickel  Aged Brass  Polished Gold  Chrome



**Technical Information**

MODEL	High Color Quality	High Efficacy				High Efficacy
OUTPUT OPTIONS	60X2HO	HE48LO	HE48SO	HE48MO	HE48HO	HE64VHO
Lumens Output (3000K) <small>(with a Clear Lens)</small>	499 lm/ft	198 lm/ft	274 lm/ft	366 lm/ft	587 lm/ft	744 lm/ft
Average Power Consumption <small>(for a 4' section)</small>	7.3 W/ft	1.9 W/ft	2.8 W/ft	3.5 W/ft	6.5 W/ft	7.5 W/ft
Efficacy	68 lm/W	104 lm/W	98 lm/W	105 lm/W	90 lm/W	99 lm/W
Max Run Length <small>(in series)</small>	26 ft	48 ft	42 ft	33 ft	21 ft	15 ft
Ambient Operating Temperature Range*	-15°F - 105°F (-25°C - 40°C)	-15°F - 125°F (-25°C - 50°C)		-15°F - 105°F (-25°C - 40°C)		-15°F - 105°F (-25°C - 40°C)

\*Ambient Operating Temperature Range to maintain L70 of 50k+ hours in normal mounting conditions for the fixture. Exceeding Ambient Operating Temperature Range may result in decreased life/output. Consult Technical Support for specific inquiries.

**High Color Quality (60X2)**

CCT	Multiplier <small>(reference - 3000K)</small>	CRI	TM-30		
			R <sub>f</sub>	R <sub>g</sub>	R <sub>9</sub>
2700K	0.97	97	96	99	93
3000K	1.00	96	95	99	92
3500K	1.01	96	95	100	94
4000K	1.34	97	96	102	92

**High Efficacy (HE48/HE64)**

CCT	Multiplier <small>(reference - 3000K)</small>	CRI	TM-30		
			R <sub>f</sub>	R <sub>g</sub>	R <sub>9</sub>
2700K	0.94	92	90	99	46
3000K	1.00	92	89	99	62
3500K	1.02	92	89	99	58
4000K	1.02	92	86	94	52

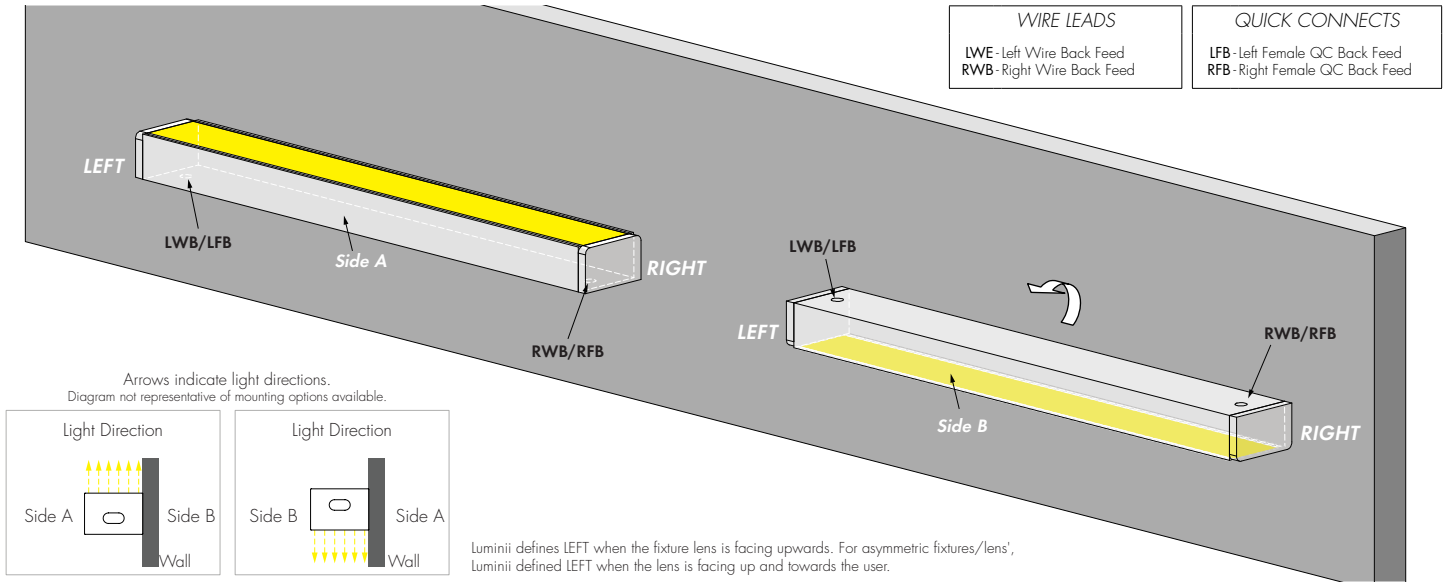
**Ordering Code**

MODEL	LENGTH <sup>1</sup>	OUTPUT <sup>2</sup>	CCT	LENS	MOUNTING	FINISH <sup>3</sup>	FEED POSITION LEFT <sup>5</sup>	FEED POSITION RIGHT <sup>5</sup>
KRXLW - Kendo XL Wet Recessed	12" - 144" 2" increments	60X2HO - High  HE48LO - Low HE48SO - Standard HE48MO - Medium HE48HO - High HE64VHO - Very High	27K - 2700K 30K - 3000K 35K - 3500K 40K - 4000K  27K - 2700K 30K - 3000K 35K - 3500K 40K - 4000K	C - Clear Lens F - Frosted	HS - Hard Surface mounting bracket GS - Gypsum surface mounting bracket NB - No bracket	BASE SA - Silver Anodized  POWDER COAT BK - Black BZ - Bronze WH - White  PREMIUM MBK - Matte Black WN - Warm Nickel AB - Aged Brass PG - Polished Gold <sup>4</sup> CH - Chrome <sup>4</sup>	WIRE LEADS (72") LWB - Wire Back Feed LNPF - No Power Feed  QUICK CONNECTS (6") LFB - Female Q/C, Back Feed LNPF - No Power Feed	WIRE LEADS (72") RWB - Wire Back Feed RNPF - No Power Feed  QUICK CONNECTS (6") RFB - Female Q/C, Back Feed RNPF - No Power Feed

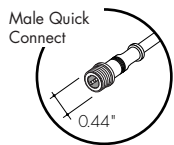
1 - Custom lengths and increments are available, please consult Inside Sales with specific request.  
 2 - All High Efficacy options can be used to comply with Title 24 JAB. High Color Quality options can be used to comply with Title 24 JAB depending on Output, CCT, and lens selections, see multiplier charts to calculate specific efficacies.  
 3 - Non Base finishes may have extended lead times. Custom RALs are available, please consult Inside Sales with specific request.  
 4 - Polished Gold finishes and Chrome finishes have a maximum fixture length of 96".  
 5 - LNPF - RNPF is not a valid configuration option

**Powerfeeds and Connectors**

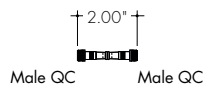
**Power Feed Position Options and Orientation**



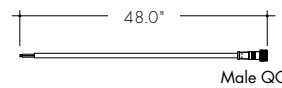
**Linking and Extension Cable Options**



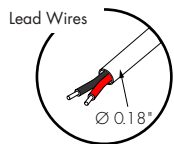
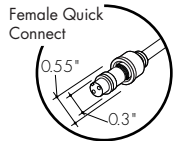
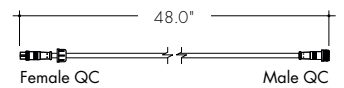
**WET-FMA-2-2**  
Female to Male Adapter, 2 pin



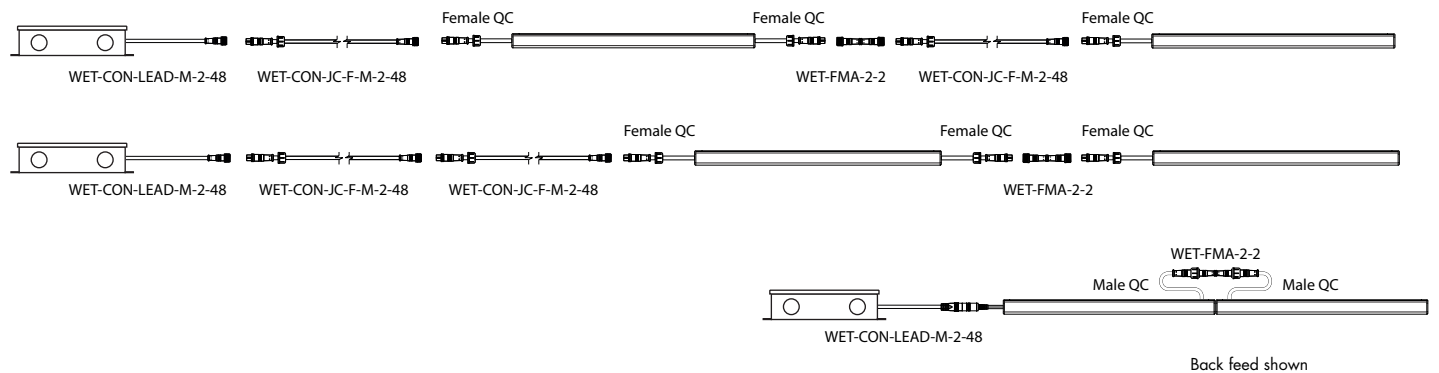
**WET-CON-LEAD-M-2-48**  
Male Wet Connector Cable, 2 pin, 48"



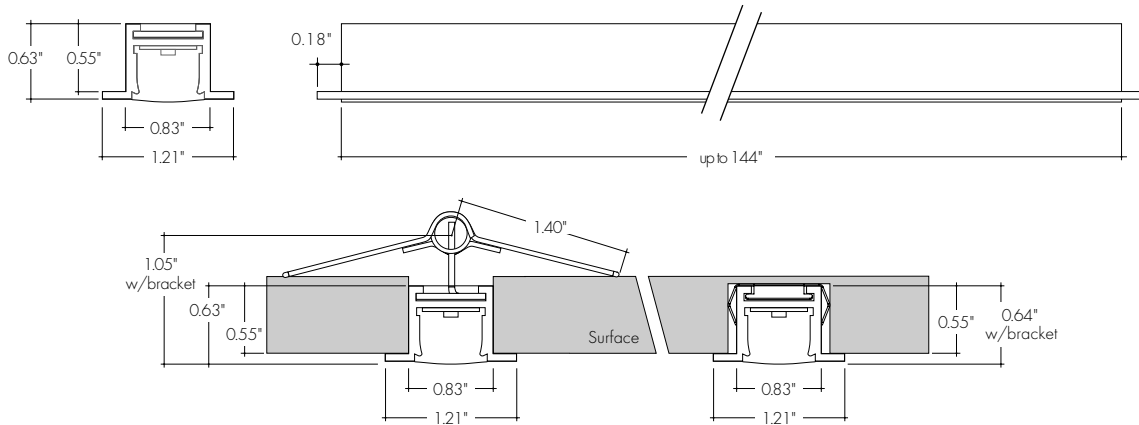
**WET-CON-JC-F-M-2-48**  
Female/Male Wet Jumper Cable, 2 pin, 48"



**Sample Layout**



**Product Dimensions**

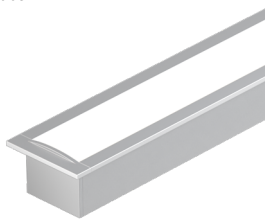


Note: Spring Bracket minimum ceiling thickness is 3/8", maximum ceiling thickness for drywall is 5/8".

**Finish Options**

- Finish options are available in a wide variety, allowing for complete customization of style and aesthetic.
- Non Base finishes may have extended lead times and price adder.
- Polished Gold and Chrome finishes have a maximum fixture length of 96".
- Custom RALs are available, please consult Inside Sales with specific request.

**Silver Anodized Base**



Silver Anodized is a soft silver with a clear finish.

**Black Powder Coat**



Black is a true deep black with a glossy finish.

**Bronze Powder Coat**



Bronze is a rich, dark brown with a satin finish.

**White Powder Coat**



White is a polar bright white and field paintable.

**Matte Black Premium**



Matte Black is a dark, pitch-black with a soft flat finish.

**Warm Nickel Premium**



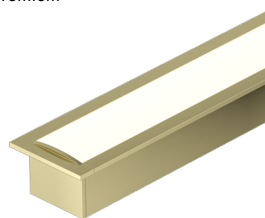
Warm Nickel is a soft, silvery smoke with warm tones and a satin finish.

**Aged Brass Premium**



Aged Brass is a deep brown shade with slightly golden undertones.

**Polished Gold Premium**



Polished Gold is bright and radiant for a brilliant finish.

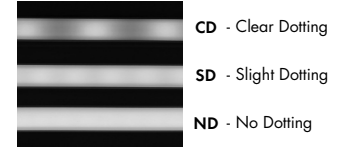
**Chrome Premium**



Chrome is a highly reflective silver polish.

Light Transmission and Dotting

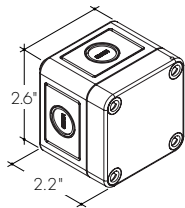
Output Options	Lens							
	Clear Lens				Frosted Lens			
Dimming Level	100%	50%	10%	1%	100%	50%	10%	1%
60X2HO	CD	CD	CD	CD	ND	ND	ND	ND
HE48LO	CD	CD	CD	CD	ND	ND	ND	ND
HE48SO	CD	CD	CD	CD	ND	ND	ND	ND
HE48MO	CD	CD	CD	CD	ND	ND	ND	ND
HE48HO	CD	CD	CD	CD	ND	ND	ND	ND
HE64VHO	CD	CD	CD	CD	ND	ND	ND	ND
Transmission Percentage	100%				58%			



Accessory Options

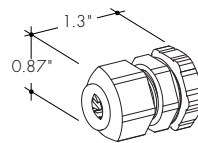
LVSP-WET

Splice box: wet rated, low voltage, gray



LVSP-WET-CM

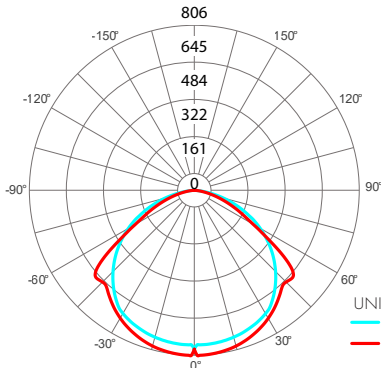
Connector for splice box, low voltage for cable management, gray.



Photometry

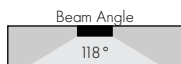
KRXLW-48-60X2VHO-30K-C

Kendo XL Recessed Wet, 4ft, 3000K, VHO, Clear Lens



Zonal Lumen Summary 3000K

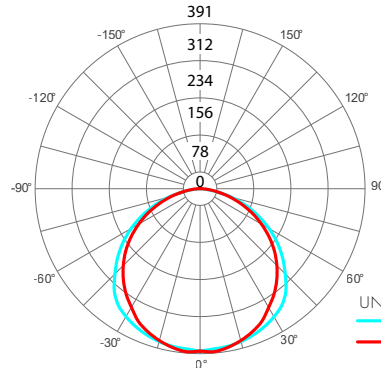
Zone	Lumen	% Fixture
0-30	463	26.0%
0-40	778	43.7%
0-60	1435	80.7%
0-90	1767	99.3%
<b>Total</b>	<b>1779</b>	<b>100%</b>



UNIT: CD  
C0/180  
C90/270

KRXLW-48-60X2VHO-30K-F

Kendo XL Recessed Wet, 4ft, 3000K, VHO, Frosted Lens



Zonal Lumen Summary 3000K

Zone	Lumen	% Fixture
0-30	369	25.6%
0-40	612	42.6%
0-60	1102	76.7%
0-90	1421	98.8%
<b>Total</b>	<b>1428</b>	<b>100%</b>



UNIT: CD  
C0/180  
C90/270

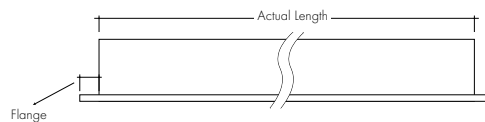
**Power Consumption**

Tested at Full Power with PS-UNI Series power supplies.

Standard Nominal Lengths offered provide minimal shadowing. For alternate lengths, please consult Inside Sales with specific request.

**High Color Quality (60X2)**

Nominal Length (in)	Actual Length	Watts	Nominal Length (in)	Actual Length	Watts	Nominal Length (in)	Actual Length	Watts	Nominal Length (in)	Actual Length	Watts
		HO			HO			HO			HO
<b>12</b>	10 11/16	8.3	<b>47</b>	—	—	<b>82</b>	81	45.4	<b>117</b>	116 3/16	61.1
<b>13</b>	12 2/16	8.3	<b>48</b>	47 4/16	28.2	<b>83</b>	82 7/16	46.3	<b>118</b>	117 9/16	62.1
<b>14</b>	13 8/16	8.9	<b>49</b>	48 11/16	29.3	<b>84</b>	83 13/16	46.7	<b>119</b>	119	62.5
<b>15</b>	14 15/16	9.5	<b>50</b>	—	—	<b>85</b>	—	—	<b>120</b>	—	—
<b>16</b>	—	—	<b>51</b>	50 1/16	29.9	<b>86</b>	85 4/16	47.2	<b>121</b>	120 6/16	63.5
<b>17</b>	16 5/16	10.1	<b>52</b>	51 8/16	31.0	<b>87</b>	86 10/16	48.1	<b>122</b>	121 13/16	63.8
<b>18</b>	17 12/16	11.3	<b>53</b>	52 14/16	31.5	<b>88</b>	—	—	<b>123</b>	—	—
<b>19</b>	—	—	<b>54</b>	—	—	<b>89</b>	88 1/16	48.5	<b>124</b>	123 3/16	64.2
<b>20</b>	19 2/16	11.9	<b>55</b>	54 5/16	32.1	<b>90</b>	89 7/16	49.4	<b>125</b>	124 10/16	64.9
<b>21</b>	20 9/16	13.1	<b>56</b>	55 11/16	33.1	<b>91</b>	90 14/16	49.9	<b>126</b>	—	—
<b>22</b>	21 15/16	13.7	<b>57</b>	—	—	<b>92</b>	—	—	<b>127</b>	126	65.2
<b>23</b>	—	—	<b>58</b>	57 2/16	33.7	<b>93</b>	92 4/16	50.3	<b>128</b>	127 7/16	65.9
<b>24</b>	23 6/16	14.3	<b>59</b>	58 8/16	34.8	<b>94</b>	93 11/16	51.2	<b>129</b>	128 13/16	66.3
<b>25</b>	24 12/16	15.5	<b>60</b>	59 15/16	35.3	<b>95</b>	—	—	<b>130</b>	—	—
<b>26</b>	—	—	<b>61</b>	—	—	<b>96</b>	95 1/16	51.7	<b>131</b>	130 4/16	66.6
<b>27</b>	26 3/16	16.1	<b>62</b>	61 5/16	35.9	<b>97</b>	96 8/16	52.6	<b>132</b>	131 10/16	67.3
<b>28</b>	27 9/16	17.3	<b>63</b>	62 12/16	36.9	<b>98</b>	97 14/16	53.0	<b>133</b>	—	—
<b>29</b>	29	17.9	<b>64</b>	—	—	<b>99</b>	—	—	<b>134</b>	133 1/16	67.6
<b>30</b>	—	—	<b>65</b>	64 2/16	37.4	<b>100</b>	99 5/16	53.5	<b>135</b>	134 7/16	68.2
<b>31</b>	30 6/16	19.1	<b>66</b>	65 9/16	38.4	<b>101</b>	100 11/16	54.4	<b>136</b>	135 14/16	68.5
<b>32</b>	31 13/16	19.7	<b>67</b>	66 15/16	38.9	<b>102</b>	—	—	<b>137</b>	—	—
<b>33</b>	—	—	<b>68</b>	—	—	<b>103</b>	102 2/16	54.8	<b>138</b>	137 4/16	68.8
<b>34</b>	33 3/16	20.3	<b>69</b>	68 6/16	39.4	<b>104</b>	103 8/16	55.7	<b>139</b>	138 11/16	69.3
<b>35</b>	34 10/16	21.6	<b>70</b>	69 12/16	40.4	<b>105</b>	104 15/16	56.1	<b>140</b>	—	—
<b>36</b>	—	—	<b>71</b>	—	—	<b>106</b>	—	—	<b>141</b>	140 1/16	69.6
<b>37</b>	36	22.2	<b>72</b>	71 3/16	40.9	<b>107</b>	106 5/16	56.5	<b>142</b>	141 8/16	70.2
<b>38</b>	37 7/16	23.3	<b>73</b>	72 9/16	41.9	<b>108</b>	107 12/16	57.4	<b>143</b>	142 14/16	70.5
<b>39</b>	38 13/16	23.9	<b>74</b>	74	42.4	<b>109</b>	—	—	<b>144</b>	—	—
<b>40</b>	—	—	<b>75</b>	—	—	<b>110</b>	109 2/16	57.9			
<b>41</b>	40 4/16	24.4	<b>76</b>	75 6/16	43.2	<b>111</b>	110 9/16	58.8			
<b>42</b>	41 10/16	25.5	<b>77</b>	76 13/16	43.7	<b>112</b>	111 15/16	59.3			
<b>43</b>	—	—	<b>78</b>	—	—	<b>113</b>	—	—			
<b>44</b>	43 1/16	26.0	<b>79</b>	78 3/16	44.1	<b>114</b>	113 6/16	59.7			
<b>45</b>	44 7/16	27.1	<b>80</b>	79 10/16	45.0	<b>115</b>	114 12/16	60.7			
<b>46</b>	45 14/16	27.7	<b>81</b>	—	—	<b>116</b>	—	—			



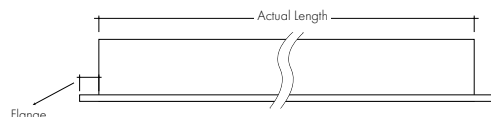
**Power Consumption**

Tested at Full Power with PS-UNI Series power supplies.

Standard Nominal Lengths offered provide minimal shadowing. For alternate lengths, please consult Inside Sales with specific request.

**High Efficacy (HE48)**

Nominal Length (in)	Actual Length	Watts				Nominal Length (in)	Actual Length	Watts				Nominal Length (in)	Actual Length	Watts				Nominal Length (in)	Actual Length	Watts			
		LO	SO	MO	HO			LO	SO	MO	HO			LO	SO	MO	HO			LO	SO	MO	HO
12	10 11/16	1.7	2.5	3.5	5.7	47	46 2/16	6.9	10.7	13.3	24.7	82	81 9/16	12.5	19.9	23.9	42.2	117	-	-	-	-	
13	12 11/16	1.7	2.5	3.5	5.7	48	-	-	-	-	-	83	-	-	-	-	-	118	117	17.5	27.7	34.3	58.7
14	-	-	-	-	-	49	48 2/16	7.1	11.2	13.9	25.4	84	83 9/16	12.8	20.3	24.5	43.1	119	119	17.8	28.1	34.9	59.6
15	14 10/16	2.0	3.0	4.0	7.2	50	-	-	-	-	-	85	-	-	-	-	-	120	-	-	-	-	-
16	-	-	-	-	-	51	50 1/16	7.4	11.7	14.5	26.3	86	85 8/16	13.1	20.8	25.1	44.1	121	120 15/16	18.1	28.6	35.5	60.5
17	16 10/16	2.4	3.5	4.6	8.7	52	-	-	-	-	-	87	-	-	-	-	-	122	-	-	-	-	-
18	-	-	-	-	-	53	52 1/16	7.7	12.3	15.1	27.4	88	87 8/16	13.4	21.3	25.7	45.0	123	122 15/16	18.3	29.0	36.0	62.1
19	18 9/16	2.7	3.9	5.2	10.2	54	-	-	-	-	-	89	-	-	-	-	-	124	-	-	-	-	-
20	-	-	-	-	-	55	54	8.0	12.9	15.7	28.5	90	89 7/16	13.7	21.7	26.3	46.0	125	124 14/16	18.4	29.5	36.6	63.8
21	20 9/16	3.0	4.4	5.8	11.7	56	56	8.4	13.5	16.4	29.5	91	-	-	-	-	-	126	-	-	-	-	-
22	-	-	-	-	-	57	-	-	-	-	-	92	91 7/16	14.0	22.1	26.9	47.0	127	126 14/16	18.6	29.9	37.2	65.4
23	22 8/16	3.4	4.9	6.4	13.2	58	57 15/16	8.7	14.0	17.0	30.6	93	-	-	-	-	-	128	-	-	-	-	-
24	-	-	-	-	-	59	-	-	-	-	-	94	93 6/16	14.3	22.6	27.5	47.9	129	128 13/16	18.8	30.4	37.7	67.0
25	24 8/16	3.7	5.4	7.0	14.7	60	59 15/16	9.0	14.6	17.6	31.6	95	-	-	-	-	-	130	-	-	-	-	-
26	-	-	-	-	-	61	-	-	-	-	-	96	95 6/16	14.4	22.8	27.8	48.4	131	130 13/16	18.9	30.8	38.3	68.6
27	26 7/16	4.1	5.9	7.5	15.8	62	61 14/16	9.4	15.2	18.2	32.6	97	-	-	-	-	-	132	-	-	-	-	-
28	-	-	-	-	-	63	-	-	-	-	-	98	97 5/16	14.7	23.3	28.5	49.4	133	132 12/16	19.1	31.2	38.9	70.2
29	28 7/16	4.4	6.4	8.1	16.8	64	63 14/16	9.7	15.6	18.7	33.7	99	-	-	-	-	-	134	-	-	-	-	-
30	-	-	-	-	-	65	-	-	-	-	-	100	99 5/16	15.0	23.7	29.0	50.4	135	134 12/16	19.3	31.8	39.4	70.7
31	30 6/16	4.8	6.9	8.7	17.9	66	65 13/16	10.0	16.1	19.2	34.7	101	-	-	-	-	-	136	-	-	-	-	-
32	-	-	-	-	-	67	-	-	-	-	-	102	101 4/16	15.3	24.1	29.6	51.3	137	136 11/16	19.5	32.3	40.0	71.2
33	32 6/16	5.0	7.2	9.0	18.5	68	67 13/16	10.4	16.5	19.8	35.7	103	-	-	-	-	-	138	-	-	-	-	-
34	-	-	-	-	-	69	-	-	-	-	-	104	103 4/16	15.6	24.6	30.2	52.3	139	138 11/16	19.8	32.8	40.6	71.8
35	34 5/16	5.4	7.7	9.6	19.5	70	69 12/16	10.7	17.0	20.3	36.7	105	-	-	-	-	-	140	-	-	-	-	-
36	-	-	-	-	-	71	-	-	-	-	-	106	105 3/16	15.8	25.0	30.7	53.2	141	140 10/16	20.0	33.3	41.1	72.3
37	36 5/16	5.7	8.2	10.2	20.6	72	71 12/16	11.0	17.4	20.8	37.7	107	-	-	-	-	-	142	-	-	-	-	-
38	-	-	-	-	-	73	-	-	-	-	-	108	107 3/16	16.1	25.5	31.3	54.2	143	142 10/16	20.2	33.9	41.7	72.8
39	38 4/16	6.0	8.7	10.8	21.5	74	73 11/16	11.3	17.9	21.4	38.7	109	-	-	-	-	-	144	-	-	-	-	-
40	-	-	-	-	-	75	-	-	-	-	-	110	109 2/16	16.4	25.9	31.9	55.2						
41	40 4/16	6.2	9.2	11.4	22.3	76	75 11/16	11.6	18.4	22.0	39.6	111	-	-	-	-	-						
42	-	-	-	-	-	77	-	-	-	-	-	112	111 2/16	16.7	26.4	32.5	56.1						
43	42 3/16	6.4	9.7	12.0	23.1	78	77 10/16	11.9	18.9	22.7	40.5	113	-	-	-	-	-						
44	-	-	-	-	-	79	-	-	-	-	-	114	113 1/16	17.0	26.8	33.1	57.0						
45	44 3/16	6.7	10.2	12.6	23.9	80	79 10/16	12.2	19.4	23.3	41.4	115	-	-	-	-	-						
46	-	-	-	-	-	81	-	-	-	-	-	116	115 1/16	17.3	27.3	33.7	57.9						



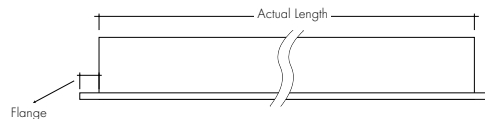
**Power Consumption**

Tested at Full Power with PS-UNI Series power supplies.

Standard Nominal Lengths offered provide minimal shadowing. For alternate lengths, please consult Inside Sales with specific request.

**High Efficacy (HE64)**

Nominal Length (in)	Actual Length	Watts	Nominal Length (in)	Actual Length	Watts	Nominal Length (in)	Actual Length	Watts	Nominal Length (in)	Actual Length	Watts
		VHO			VHO			VHO			VHO
<b>12</b>	11 8/16	7.6	<b>47</b>	46 5/16	28.2	<b>82</b>	81 2/16	50.4	<b>117</b>	—	—
<b>13</b>	13	7.6	<b>48</b>	47 13/16	29.5	<b>83</b>	82 10/16	51.7	<b>118</b>	117 8/16	72.8
<b>14</b>	—	—	<b>49</b>	—	—	<b>84</b>	—	—	<b>119</b>	119	73.3
<b>15</b>	14 8/16	8.9	<b>50</b>	49 5/16	30.1	<b>85</b>	84 3/16	52.3	<b>120</b>	—	—
<b>16</b>	—	—	<b>51</b>	50 14/16	31.4	<b>86</b>	85 11/16	53.6	<b>121</b>	120 8/16	74.4
<b>17</b>	16	9.5	<b>52</b>	—	—	<b>87</b>	—	—	<b>122</b>	—	—
<b>18</b>	17 9/16	10.7	<b>53</b>	52 6/16	32.0	<b>88</b>	87 3/16	54.2	<b>123</b>	122	74.8
<b>19</b>	—	—	<b>54</b>	53 14/16	33.3	<b>89</b>	88 11/16	55.5	<b>124</b>	123 8/16	75.6
<b>20</b>	19 1/16	11.4	<b>55</b>	—	—	<b>90</b>	—	—	<b>125</b>	—	—
<b>21</b>	20 9/16	12.6	<b>56</b>	55 6/16	34.0	<b>91</b>	90 3/16	56.2	<b>126</b>	125 1/16	76.0
<b>22</b>	—	—	<b>57</b>	56 14/16	35.2	<b>92</b>	91 12/16	57.5	<b>127</b>	126 9/16	76.8
<b>23</b>	22 1/16	13.2	<b>58</b>	—	—	<b>93</b>	—	—	<b>128</b>	—	—
<b>24</b>	23 9/16	14.5	<b>59</b>	58 7/16	36.5	<b>94</b>	93 4/16	58.2	<b>129</b>	128 1/16	77.2
<b>25</b>	—	—	<b>60</b>	59 15/16	37.2	<b>95</b>	94 12/16	59.5	<b>130</b>	129 9/16	78.0
<b>26</b>	25 2/16	15.1	<b>61</b>	—	—	<b>96</b>	—	—	<b>131</b>	—	—
<b>27</b>	26 10/16	16.4	<b>62</b>	61 7/16	38.4	<b>97</b>	96 4/16	60.1	<b>132</b>	131 2/16	78.4
<b>28</b>	—	—	<b>63</b>	62 15/16	39.1	<b>98</b>	97 13/16	61.4	<b>133</b>	132 10/16	79.2
<b>29</b>	28 2/16	17.0	<b>64</b>	—	—	<b>99</b>	—	—	<b>134</b>	—	—
<b>30</b>	29 10/16	18.2	<b>65</b>	64 8/16	40.4	<b>100</b>	99 5/16	62.0	<b>135</b>	134 2/16	79.6
<b>31</b>	—	—	<b>66</b>	66	41.0	<b>101</b>	100 13/16	63.2	<b>136</b>	135 10/16	80.3
<b>32</b>	31 3/16	18.9	<b>67</b>	—	—	<b>102</b>	—	—	<b>137</b>	—	—
<b>33</b>	32 11/16	20.1	<b>68</b>	67 8/16	42.3	<b>103</b>	102 5/16	63.8	<b>138</b>	137 2/16	80.6
<b>34</b>	—	—	<b>69</b>	—	—	<b>104</b>	103 13/16	65.0	<b>139</b>	138 11/16	81.3
<b>35</b>	34 3/16	20.7	<b>70</b>	69	42.9	<b>105</b>	—	—	<b>140</b>	—	—
<b>36</b>	35 11/16	22.0	<b>71</b>	70 8/16	44.2	<b>106</b>	105 6/16	65.6	<b>141</b>	140 3/16	81.7
<b>37</b>	—	—	<b>72</b>	—	—	<b>107</b>	106 14/16	66.8	<b>142</b>	141 11/16	82.4
<b>38</b>	37 3/16	22.6	<b>73</b>	72 1/16	44.9	<b>108</b>	—	—	<b>143</b>	—	—
<b>39</b>	38 12/16	23.9	<b>74</b>	73 9/16	46.1	<b>109</b>	108 6/16	67.4	<b>144</b>	143 3/16	82.7
<b>40</b>	—	—	<b>75</b>	—	—	<b>110</b>	109 14/16	68.5			
<b>41</b>	40 4/16	24.5	<b>76</b>	75 1/16	46.7	<b>111</b>	—	—			
<b>42</b>	41 12/16	25.7	<b>77</b>	76 9/16	48.0	<b>112</b>	111 7/16	69.6			
<b>43</b>	—	—	<b>78</b>	—	—	<b>113</b>	112 15/16	70.1			
<b>44</b>	43 4/16	26.4	<b>79</b>	78 2/16	48.6	<b>114</b>	—	—			
<b>45</b>	44 13/16	27.6	<b>80</b>	79 10/16	49.8	<b>115</b>	114 7/16	71.2			
<b>46</b>	—	—	<b>81</b>	—	—	<b>116</b>	115 15/16	71.7			



### Voltage Drop Calculator

The below chart assumes nominal voltage of 24 Volts and a Voltage Drop Allowance of 3% through the wire

Wattage [W]	Maximum Wire Length From Power Supply to Start of Run [ft]						
	12 AWG	14 AWG	16 AWG	18 AWG	20 AWG	22 AWG	24 AWG
<b>5</b>	1088.2	684.4	430.3	270.6	170.2	107.1	67.3
<b>10</b>	544.1	342.2	215.1	135.3	85.1	53.5	33.7
<b>15</b>	362.7	228.1	143.4	90.2	56.7	35.7	22.4
<b>20</b>	272.0	171.1	107.6	67.7	42.6	26.8	16.8
<b>25</b>	217.6	136.9	86.1	54.1	34.0	21.4	13.5
<b>30</b>	181.4	114.1	71.7	45.1	28.4	17.8	11.2
<b>35</b>	155.5	97.8	61.5	38.7	24.3	15.3	9.6
<b>40</b>	136.0	85.5	53.8	33.8	21.3	13.4	8.4
<b>45</b>	120.9	76.0	47.8	30.1	18.9	11.9	7.5
<b>50</b>	108.8	68.4	43.0	27.1	17.0	10.7	6.7
<b>55</b>	98.9	62.2	39.1	24.6	15.5	9.7	6.1
<b>60</b>	90.7	57.0	35.9	22.6	14.2	8.9	5.6
<b>65</b>	83.7	52.6	33.1	20.8	13.1	8.2	5.2
<b>70</b>	77.7	48.9	30.7	19.3	12.2	7.6	4.8
<b>75</b>	72.5	45.6	28.7	18.0	11.3	7.1	4.5
<b>80</b>	68.0	42.8	26.9	16.9	10.6	6.7	4.2
<b>85</b>	64.0	40.3	25.3	15.9	10.0	6.3	4.0
<b>90</b>	60.5	38.0	23.9	15.0	9.5	5.9	3.7
<b>96</b>	56.7	35.6	22.4	14.1	8.9	5.6	3.5



**Power Supplies**

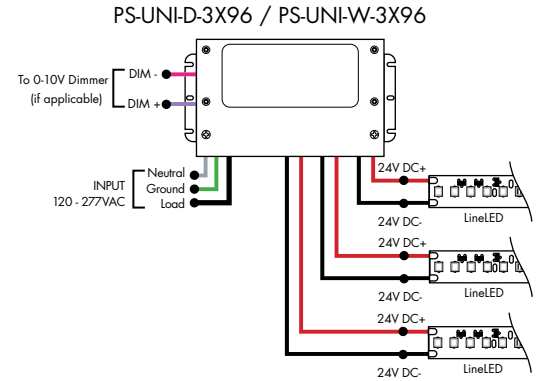
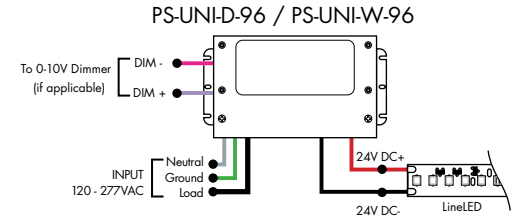
See Power Supply instructions and spec sheet for wiring information. For a complete list of compatible dimmers, see Compatible Dimming Chart on the Resources page.

**Ordering Code Universal Dimming Power Supplies 1% 120VAC - 277VAC**

MODEL	INPUT CONTROL	ENVIRONMENT	WATTAGE	OUTPUT
PS-Power Supply, 120-277VAC	UNI-0-10V Dimming, Phase Dimming	D-Dry W-Wet	30-30 Watts 60-60 Watts 96-96 Watts 3x96-3x96 Watts	24-24 VDC

Compatibility: View a complete list of compatible dimmers on product page [\(Link\)](#)

0-10V - 1% dimming  
MLV/ELV/TRIAC - 1% dimming, consult dimming compatibility chart



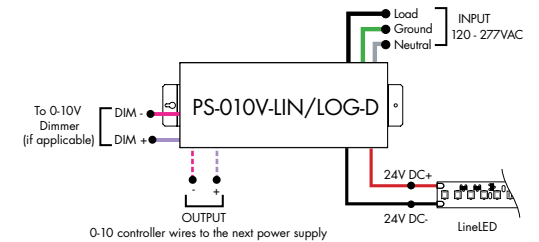
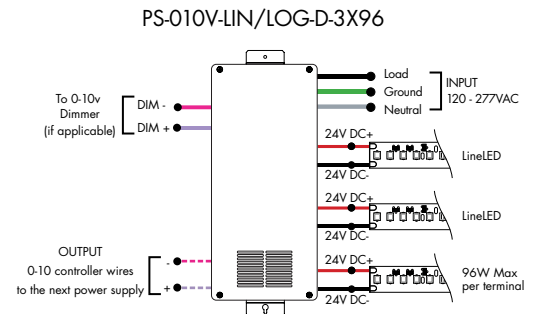
MODELS	PS-UNI-W-30W	PS-UNI-W-60W	PS-UNI-W-96W	PS-UNI-W-3X96W
<b>Length</b>	6.50"	7.40"	8.66"	11.85"
<b>Width</b>	3.73"	3.73"	3.73"	4.32"
<b>Depth</b>	1.61"	1.61"	1.61"	1.81"

MODELS	PS-UNI-D-30W	PS-UNI-D-60W	PS-UNI-D-96W	PS-UNI-D-3X96W
<b>Length</b>	8.77"	8.77"	8.11"	9.94"
<b>Width</b>	4.27"	4.27"	5.60"	7.61"
<b>Depth</b>	1.83"	1.83"	1.83"	2.02"

**Ordering Code 0-10V Dimming Power Supplies 0.1% 120VAC - 277VAC**

MODEL	INPUT CONTROL	ENVIRONMENT	WATTAGE	OUTPUT
PS-Power Supply, 120-277VAC	010V-LIN-0-10V Dimming (0.1%), Linear 010V-LOG-0-10V Dimming (0.1%), Logarithmic	D-Dry	96-96 Watts 3X96-3x96 Watts	24-24 VDC

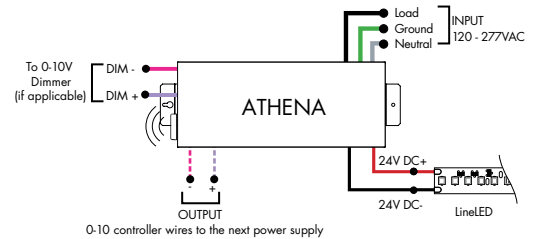
MODELS	96W	3X96
<b>Length</b>	14.40"	15.00"
<b>Width</b>	5.20"	6.62"
<b>Depth</b>	2.60"	4.45"



**Athena 0-10V LED Driver**

MODEL	INPUT CONTROL	ENVIRONMENT	WATTAGE	OUTPUT	FEATURE
PS-Power Supply, 120-277VAC	010V-LIN-0-10V Dimming, Linear 010V-LOG-0-10V Dimming, Logarithmic	D-Dry	96-96 W	24-24 VDC	AWNR-Athena

MODELS	96W
<b>Length</b>	14.40"
<b>Width</b>	5.20"
<b>Depth</b>	2.60"



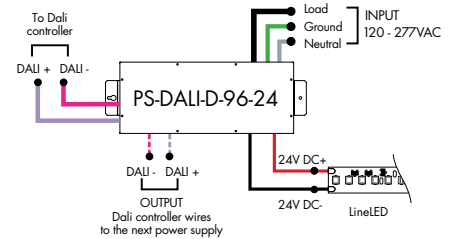
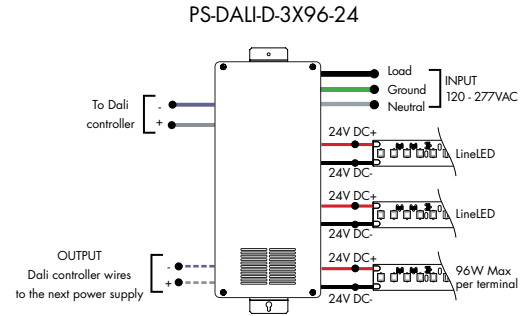
**Power Supplies**

See Power Supply instructions and spec sheet for wiring information. For a complete list of compatible dimmers, see Compatible Dimming Chart on the Resources page.

**Ordering Code DALI1 Dimming Power Supplies 0.1% 120VAC - 277VAC**

MODEL	INPUT CONTROL	ENVIRONMENT	WATTAGE	OUTPUT
PS-Power Supply, 120-277VAC	DALI-DALI (0.1%)	D-Dry	96-96 Watts 3X96-3X96 Watts	24-24 VDC

Model	96W	3X96
Length	14.40"	15.00"
Width	5.20"	6.62"
Depth	2.60"	4.56"

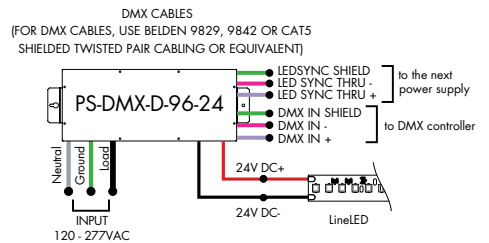
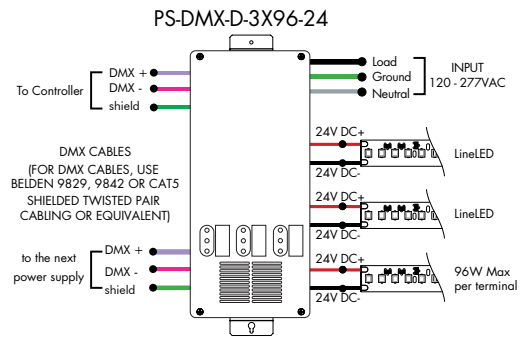


**Ordering Code DMX Dimming Power Supplies 0.1% 120VAC - 277VAC** Requires Zonal Control

MODEL	INPUT CONTROL	ENVIRONMENT	WATTAGE	OUTPUT
PS-Power Supply, 120-277VAC	DMX-DMX (0.1%)	D-Dry	96-96 Watts 3X96-3X96 Watts	24-24 VDC

\*Zonal control power supplies. Control multiple tapes/zones using DMX channels.

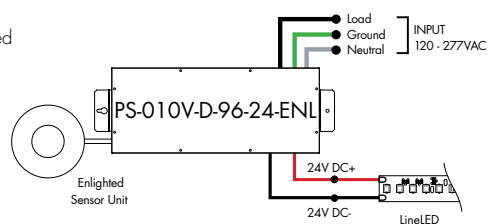
MODELS	96W	3X96
Length	14.40"	15.00"
Width	5.20"	6.62"
Depth	2.60"	4.56"



**Ordering Code Enlightened Enabled Dimming Power Supplies 1% 120VAC - 277VAC**

MODEL	INPUT CONTROL	ENVIRONMENT	WATTAGE	OUTPUT	FEATURE
PS-Power Supply, 120-277VAC	010V-0-10V Dimming (1%)	D-Dry	96-96 Watts	24-24 VDC	ENL-0-10V Enlightened

Model	96W
Length	14.40"
Width	5.20"
Depth	2.60"

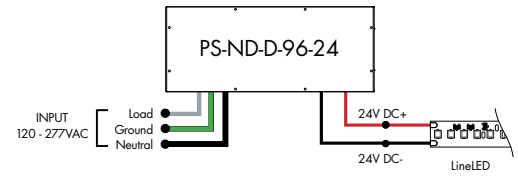


### Power Supplies

See Power Supply instructions and spec sheet for wiring information. For a complete list of compatible dimmers, see Compatible Dimming Chart on the Resources page.

#### Ordering Code Non-Dimming Power Supply 120VAC - 277VAC

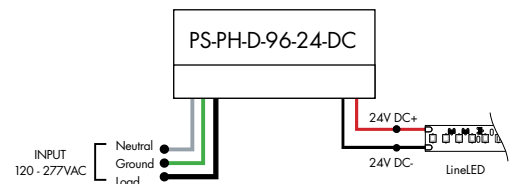
MODEL	INPUT CONTROL	ENVIRONMENT	WATTAGE	OUTPUT
PS - Power Supply, 120-277VAC	ND - Non Dimming	D - Dry	96-96 Watts	24 - 24 VDC



MODELS	96W
Length	14.40"
Width	5.20"
Depth	2.60"

#### Ordering Code Phase Dimming Power Supply 1% 120VAC - 277VAC

MODEL	INPUT CONTROL	ENVIRONMENT	WATTAGE	OUTPUT	OUTPUT CONTROL
PS - Power Supply, 120-277VAC	PH - Phase Dimming (Triac, ELV, MLV)	D - Dry	96 - 96 Watts	24 - 24 VDC	DC - Direct Current



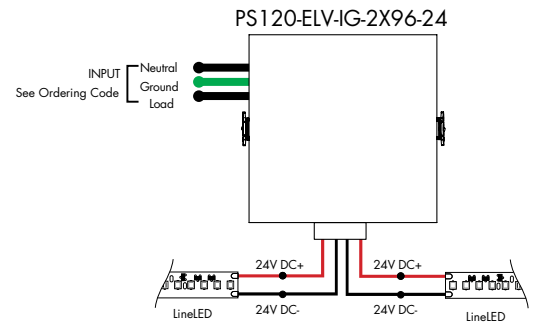
MLV/ELV/TRIAC - 1% dimming, consult dimming compatibility chart ([Link](#))

NOTE:  
OVER THE WHITE, GREEN, AND BLACK WIRES,  
CONNECT TO ELV OR MLV DIMMER

MODELS	96W
Length	8.25"
Width	4.10"
Depth	1.56"

#### Ordering Code In-Ground Power Supplies

MODEL	INPUT CONTROL	ENVIRONMENT	WATTAGE	OUTPUT
PS120 - Power Supply, 120VAC PS240 - Power Supply, 240VAC PS277 - Power Supply, 277VAC	ELV - ELV Dimming (1%)	IG - In Ground	2X96 - 2X96 Watts	24 - 24 VDC



MODELS	2X96W
Length	8.40"
Width	8.30"
Depth	8.10"

**Power Supplies**

See Power Supply instructions and spec sheet for wiring information. For a complete list of compatible dimmers, see Compatible Dimming Chart on the Resources page.



Luminii is a Lutron OEM Advantage Partner

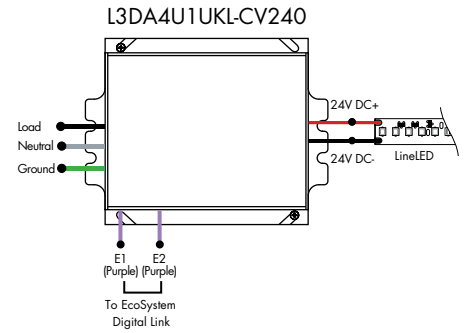
**Lutron Power Supplies 1%**

MODEL

**L3DA4U1UKL-CV240**

HiLume™ 1% EcoSystem Voltage LED driver  
40W max

MODELS	L3DA4U1UKL-CV240
<b>Length</b>	4.98"
<b>Width</b>	4.00"
<b>Depth</b>	2.62"



Luminii is a Lutron OEM Advantage Partner

**Lutron Power Supplies 0.1%**

MODEL

**L3D0-96W24V-U**

HiLume™ 0.1% EcoSystem Voltage LED Driver with Soft-On, Fade-to-Black™  
96W max

MODELS	L3D0
<b>Length</b>	10.50"
<b>Width</b>	5.50"
<b>Depth</b>	2.00"

