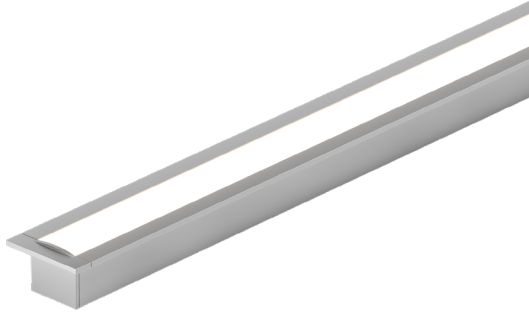


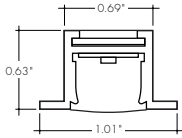
Features



- 24VDC Class 2 fixtures made to order up to 144". Fixtures can be linked up to 90' depending on output
- Suitable for millwork, architectural reveals, accent lighting and recessed applications
- Suitable for installation in the storage area of a clothes closet on outputs 5.7W/ft or less, NEC compliant for the USA only.
- Class 2 listed for damp locations
- Dot free even illumination with frosted lens

- Proprietary strong bond solder method handles up to 50 lbs of pull force on wire leads and connectors
- Vibrant Color options offer premium color quality with R9 values up to 98
- High Efficacy options offer best in class output and efficacy with over 930 lm/ft and up to 132 lm/W
- Average Life (L70): 50,000hrs
- 7 year warranty

Finish Options (see page 3 for additional information)



- Powder Coat** ■ Black ■ Bronze □ White
- Premium** ■ Matte Black ■ Warm Nickel ■ Aged Brass
 ■ Polished Gold ■ Chrome



Technical Information

TYPE	Vibrant Color VC72					
	VC72VLO	VC72LO	VC72SO	VC72MO	VC72HO	VC72VHO
Lumens Output (3000K) <small>(with a Clear Lens)</small>	105 lm/ft	268 lm/ft	357 lm/ft	471 lm/ft	570 lm/ft	759 lm/ft
Average Power Consumption <small>(for a 4" section)</small>	1.1 W/ft	2.8 W/ft	3.7 W/ft	4.9 W/ft	5.9 W/ft	7.9 W/ft
Efficacy	95 lm/W	96 lm/W	96 lm/W	96 lm/W	97 lm/W	96 lm/W
Max Run Length <small>(in series)</small>	56.9 ft	32 ft	28 ft	24 ft	21 ft	18 ft
Ambient Operating Temperature Range*	-4°F - 122°F (-20°C - 50°C)		-4°F - 113°F (-20°C - 45°C)		-4°F - 104°F (-20°C - 40°C)	

*Ambient Operating Temperature Range to maintain L70 of 50k+ hours in normal mounting conditions for the fixture. Exceeding Ambient Operating Temperature Range may result in decreased life/output. Consult Technical Support for specific inquiries.

TYPE	High Efficacy HE64					
	HE64VLO	HE64LO	HE64SO	HE64MO	HE64HO	HE64VHO
Lumens Output (3000K) <small>(with a Clear Lens)</small>	116 lm/ft	251 lm/ft	360 lm/ft	479 lm/ft	681 lm/ft	934 lm/ft
Average Power Consumption <small>(for a 4" section)</small>	1 W/ft	1.9 W/ft	2.9 W/ft	3.8 W/ft	5.6 W/ft	7.1 W/ft
Efficacy	116 lm/W	132 lm/W	124 lm/W	126 lm/W	122 lm/W	132 lm/W
Max Run Length <small>(in series)</small>	90 ft	55 ft	34.9 ft	26 ft	17 ft	13 ft
Ambient Operating Temperature Range*	-4°F - 122°F (-20°C - 50°C)		-4°F - 104°F (-20°C - 40°C)		-4°F - 95°F (-20°C - 35°C)	

*Ambient Operating Temperature Range to maintain L70 of 50k+ hours in normal mounting conditions for the fixture. Exceeding Ambient Operating Temperature Range may result in decreased life/output. Consult Technical Support for specific inquiries.

CCT	Multiplier <small>(ref. - 30K)</small>	TM-30			
		CRI	R _f	R _g	R ₉
1800K	0.50	95	94	99	86
2200K	0.66	96	94	101	95
2400K	0.90	98	96	101	91
2700K	0.93	98	96	102	93
3000K	1.00	97	94	104	99
3500K	1.04	96	94	105	97
4100K	1.05	97	95	104	96

CCT	Multiplier <small>(ref. - 30K)</small>	TM-30			
		CRI	R _f	R _g	R ₉
2200K	0.74	94	91	96	65
2400K	0.87	94	92	97	56
2700K	0.97	94	92	100	57
3000K	1.00	93	91	99	54
3500K	1.01	95	91	99	62
4000K	1.04	95	91	99	68

Ordering Code

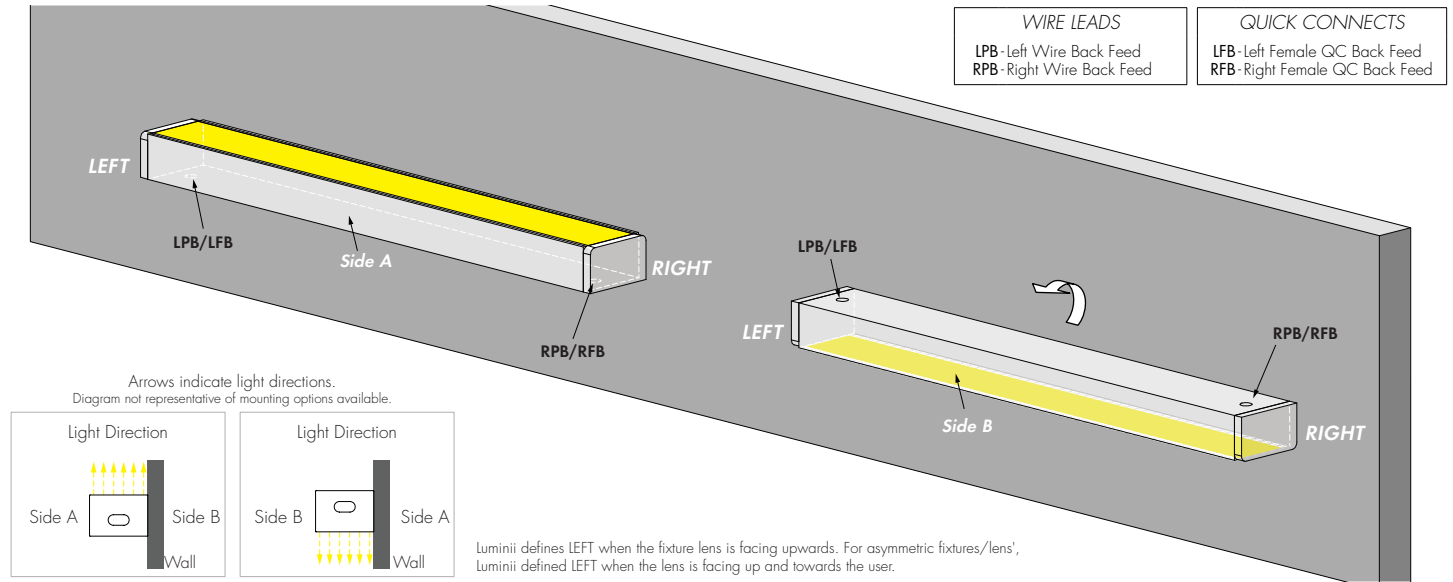
MODEL	LENGTH ¹	OUTPUT ²	CCT	LENS	MOUNTING	FINISH ³	FEED POSITION LEFT ⁵	FEED POSITION RIGHT ⁵					
KRM-BABA - Kendo M Recessed BABA	12"-144" 1" increments	VC72VLO - Very Low	18K - 1800K	C - Clear Lens HF - Half Frosted FF - Flat Frosted F - Frosted GR - Narrow Beam Grazer	HS - Hard Surface Mounting Bracket GS - Gypsum Surface Mounting Bracket NB - No Bracket	POWDER COAT BK - Black BZ - Bronze WH - White	PLENUM WIRE LEADS [72"] LPB - Wire Back Feed LNPF - No Power Feed	PLENUM WIRE LEADS [72"] RPB - Wire Back Feed RNPF - No Power Feed					
		VC72LO - Low	22K - 2200K						24K - 2400K	27K - 2700K	30K - 3000K	35K - 3500K	41K - 4100K
	12"-144" 2" increments	VC72SO - Standard	27K - 2700K			PREMIUM MBK - Matte Black WN - Warm Nickel AB - Aged Brass PG - Polished Gold ⁴ CH - Chrome ⁴	QUICK CONNECTS [4"] LFB - Female Q/C, Back Feed LNPF - No Power Feed	QUICK CONNECTS [4"] RFB - Female Q/C, Back Feed RNPF - No Power Feed					
		VC72MO - Medium	30K - 3000K	HE64VLO - Very Low	22K - 2200K				HE64LO - Low	24K - 2400K	HE64SO - Standard	27K - 2700K	HE64MO - Medium

1 - Custom lengths and increments are available, please consult Inside Sales with specific request.
 2 - Title 24 JAB achievable depending on Output, CCT, and Lens selections. See multiplier charts to calculate specific efficacies.
 3 - Finishes may have extended lead times. Custom RALs are available, please consult Inside Sales with specific request.

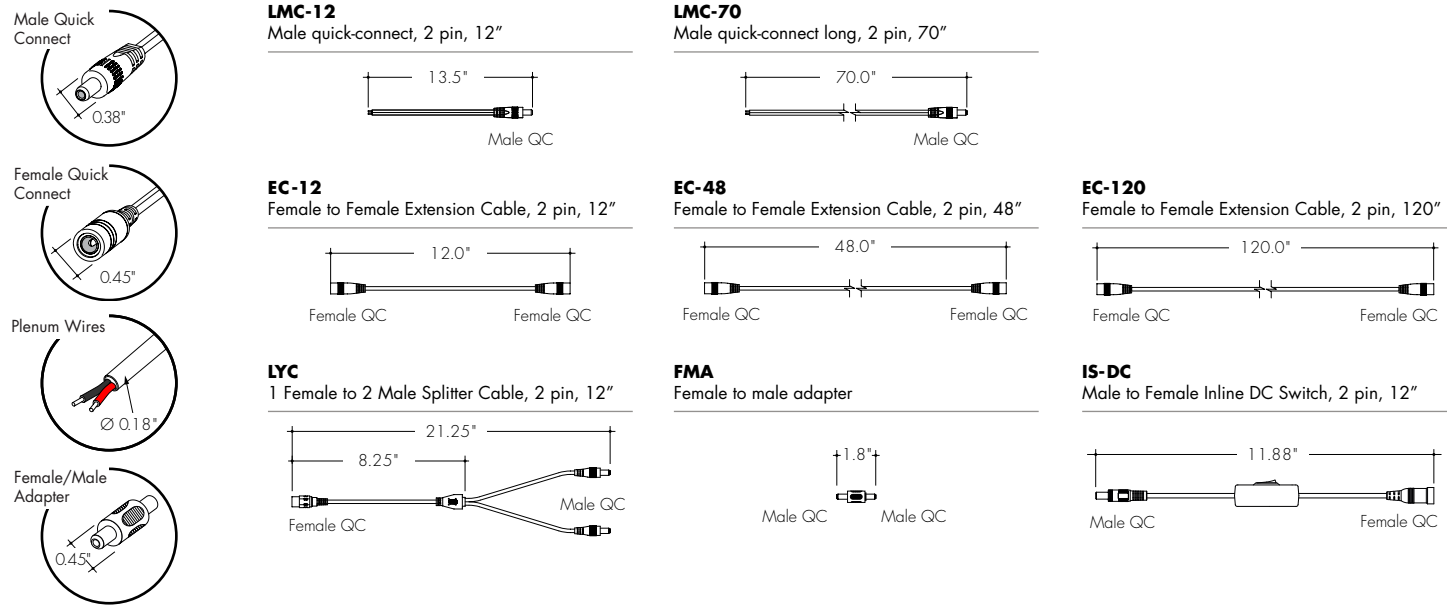
4 - Polished Gold finishes and Chrome finishes have a maximum fixture length of 96".
 5 - LNPF - RNPF is not a valid configuration option

Powerfeeds and Connectors

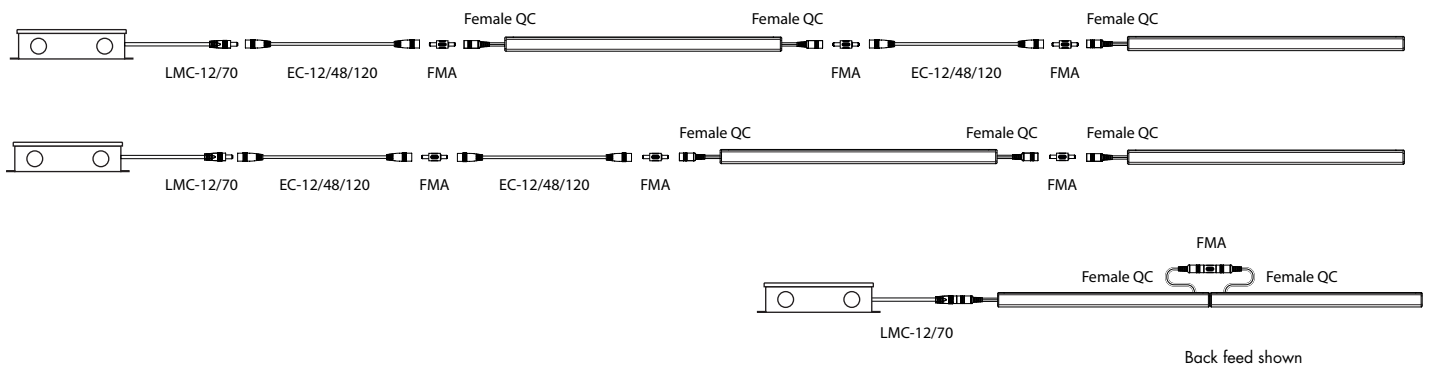
Power Feed Position Options and Orientation



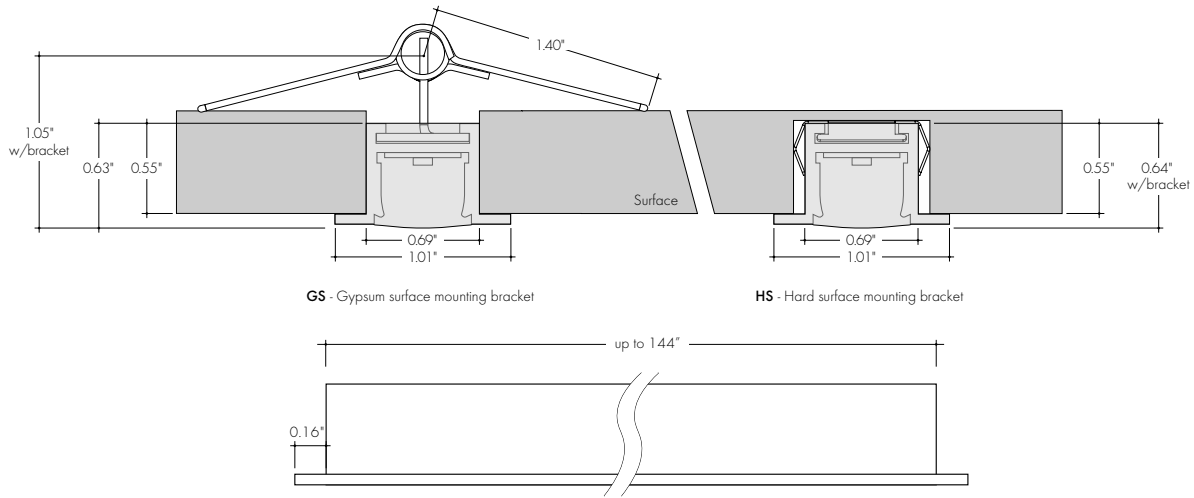
Linking and Extension Cable Options



Sample Layout



Product Dimensions

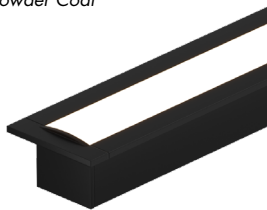


Note: Spring Bracket minimum ceiling thickness is 3/8", maximum ceiling thickness for drywall is 5/8".

Finish Options

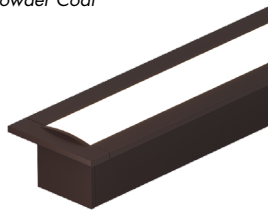
- Finish options are available in a wide variety, allowing for complete customization of style and aesthetic.
- Non Base finishes may have extended lead times and price adder.
- Polished Gold and Chrome finishes have a maximum fixture length of 96".
- Custom RALs are available, please consult Inside Sales with specific request.

Black
Powder Coat



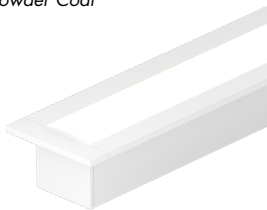
Black is a true deep black with a glossy finish.

Bronze
Powder Coat



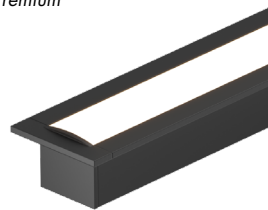
Bronze is a rich, dark brown with a satin finish.

White
Powder Coat



White is a polar bright white and field paintable.

Matte Black
Premium



Matte Black is a dark, pitch-black with a soft flat finish.

Warm Nickel
Premium



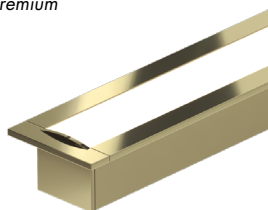
Warm Nickel is a soft, silvery smoke with warm tones and a satin finish.

Aged Brass
Premium



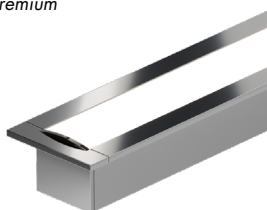
Aged Brass is a deep brown shade with slightly golden undertones.

Polished Gold
Premium



Polished Gold is bright and radiant for a brilliant finish.

Chrome
Premium

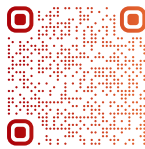


Chrome is a highly reflective silver polish.

Light Transmission and Dotting

Output Options	Lens/Accessory																			
	Clear Lens				Half Frosted Lens				Frosted Lens				Flat Frosted Lens				Narrow Beam Grazer			
Dimming Level	100%	50%	10%	1%	100%	50%	10%	1%	100%	50%	10%	1%	100%	50%	10%	1%	100%	50%	10%	1%
VC72VLO	CD	CD	CD	CD	ND	ND	SD	CD	ND	ND	ND	ND	ND	ND	ND	ND	CD	CD	CD	CD
VC72LO	CD	CD	CD	CD	ND	ND	SD	CD	ND	ND	ND	ND	ND	ND	ND	ND	CD	CD	CD	CD
VC72SO	CD	CD	CD	CD	ND	ND	SD	CD	ND	ND	ND	ND	ND	ND	ND	ND	CD	CD	CD	CD
VC72MO	CD	CD	CD	CD	ND	ND	SD	CD	ND	ND	ND	ND	ND	ND	ND	ND	CD	CD	CD	CD
VC72HO	CD	CD	CD	CD	ND	ND	SD	CD	ND	ND	ND	ND	ND	ND	ND	ND	CD	CD	CD	CD
VC72VHO	CD	CD	CD	CD	ND	ND	SD	CD	ND	ND	ND	ND	ND	ND	ND	ND	CD	CD	CD	CD
HE64VLO	CD	CD	CD	CD	ND	ND	SD	CD	ND	ND	ND	ND	ND	ND	ND	ND	CD	CD	CD	CD
HE64LO	CD	CD	CD	CD	ND	ND	SD	CD	ND	ND	ND	ND	ND	ND	ND	ND	CD	CD	CD	CD
HE64SO	CD	CD	CD	CD	ND	ND	SD	CD	ND	ND	ND	ND	ND	ND	ND	ND	CD	CD	CD	CD
HE64MO	CD	CD	CD	CD	ND	ND	SD	CD	ND	ND	ND	ND	ND	ND	ND	ND	CD	CD	CD	CD
HE64HO	CD	CD	CD	CD	ND	ND	SD	CD	ND	ND	ND	ND	ND	ND	ND	ND	CD	CD	CD	CD
HE64VHO	CD	CD	CD	CD	ND	ND	SD	CD	ND	ND	ND	ND	ND	ND	ND	ND	CD	CD	CD	CD
Transmission Percentage	100%				80%				62%				68%				69%			

Use complete Dotting Chart Tool online for more dotting information



I'm also clickable

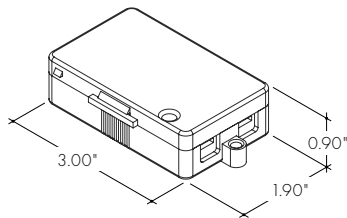


CD - Clear Dotting
SD - Slight Dotting
ND - No Dotting

Accessory Options

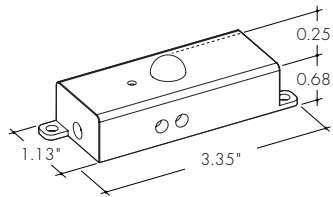
LVSP-4T-BK

Low Voltage, 4 Terminal Splice Box, Black, IP20



OS-DC-F4-BK

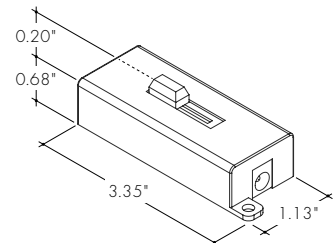
Occupancy Sensor



Male Quick Connect, FMA, LMC, LYC, or IS-DC are required for input and output.

DIM-DC-F4-BK

24VDC Low Voltage In-line Dimmer Module

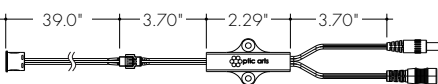


Male Quick Connect, FMA, LMC, LYC, or IS-DC are required for input and output.

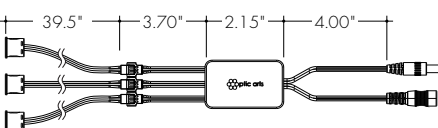
NL.EX.D1.B & NL.EX.D3.B

Near Infrared Remote Door Sensor

NL.EX.D1.B - 1 IR Sensor



NL.EX.D3.B - 3 IR Sensor

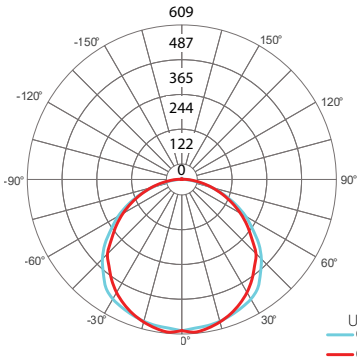


Male Quick Connect, FMA, LMC, LYC, or IS-DC are required for input and output. For more information visit Sensor Spec Sheet [\(Link\)](#)

Photometry

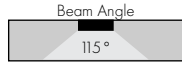
KRM-48-VC72VHO-30K-F

Kendo RM, 4ft, VHO, 3000K, Frosted Lens



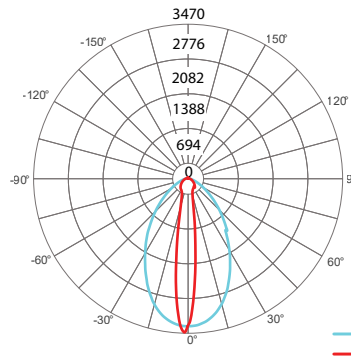
Zonal Lumen Summary 3000K

Zone	Lumen	% Fixture	
0-30	119	25%	
0-40	198	42%	
0-60	359	76%	
0-90	467	99%	
Total	0-180	473	100%



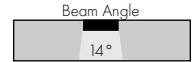
KRM-48-VC72VHO-30K-GR

Kendo RM, 4ft, VHO, 3000K, Narrow Beam Grazer Lens



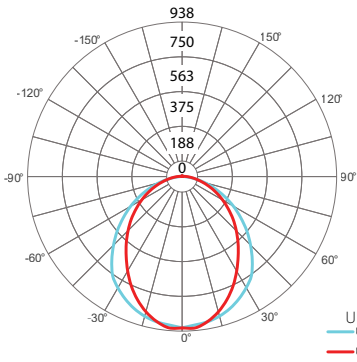
Zonal Lumen Summary 3000K

Zone	Lumen	% Fixture	
0-30	243	46%	
0-40	329	63%	
0-60	458	88%	
0-90	517	99%	
Total	0-180	523	100%



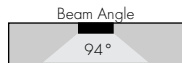
KRM-48-VC72VHO-30K-HF

Kendo RM, 4ft, VHO, 3000K, Half Frosted Lens



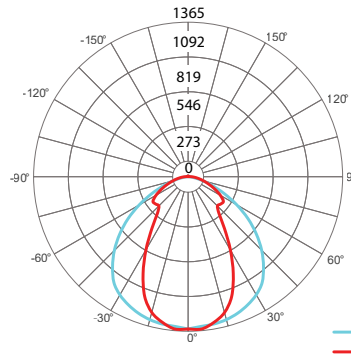
Zonal Lumen Summary 3000K

Zone	Lumen	% Fixture	
0-30	174	29%	
0-40	279	46%	
0-60	475	79%	
0-90	595	99%	
Total	0-180	603	100%



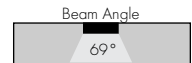
KRM-48-VC72VHO-30K-C

Kendo RM, 4ft, VHO, 3000K, Clear Lens



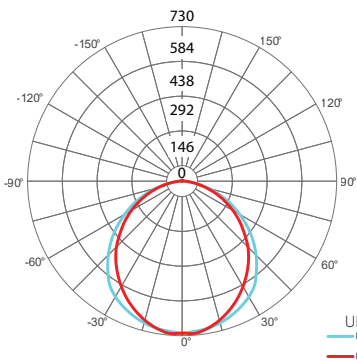
Zonal Lumen Summary 3000K

Zone	Lumen	% Fixture	
0-30	253	33%	
0-40	394	52%	
0-60	619	82%	
0-90	749	99%	
Total	0-180	759	100%



KRM-48-VC72VHO-30K-FF

Kendo RM, 4ft, VHO, 3000K, Flat Frosted Lens



Zonal Lumen Summary 3000K

Zone	Lumen	% Fixture	
0-30	139	27%	
0-40	228	44%	
0-60	404	78%	
0-90	514	99%	
Total	0-180	520	100%



Power Consumption

Please visit the link/QR code below to access the Luminii Power Consumption Chart tool on our website.

There you will be able to select your fixture, output, and desired power feed to get a full power consumption table.



I'm also click-able

Desired Nominal Length: _____

Desired Output: _____

Desired CCT: _____

Voltage Drop Calculator

The below chart assumes nominal voltage of 24 Volts and a Voltage Drop Allowance of 3% through the wire

Wattage [W]	Maximum Wire Length From Power Supply to Start of Run [ft]						
	12 AWG	14 AWG	16 AWG	18 AWG	20 AWG	22 AWG	24 AWG
5	1088.2	684.4	430.3	270.6	170.2	107.1	67.3
10	544.1	342.2	215.1	135.3	85.1	53.5	33.7
15	362.7	228.1	143.4	90.2	56.7	35.7	22.4
20	272.0	171.1	107.6	67.7	42.6	26.8	16.8
25	217.6	136.9	86.1	54.1	34.0	21.4	13.5
30	181.4	114.1	71.7	45.1	28.4	17.8	11.2
35	155.5	97.8	61.5	38.7	24.3	15.3	9.6
40	136.0	85.5	53.8	33.8	21.3	13.4	8.4
45	120.9	76.0	47.8	30.1	18.9	11.9	7.5
50	108.8	68.4	43.0	27.1	17.0	10.7	6.7
55	98.9	62.2	39.1	24.6	15.5	9.7	6.1
60	90.7	57.0	35.9	22.6	14.2	8.9	5.6
65	83.7	52.6	33.1	20.8	13.1	8.2	5.2
70	77.7	48.9	30.7	19.3	12.2	7.6	4.8
75	72.5	45.6	28.7	18.0	11.3	7.1	4.5
80	68.0	42.8	26.9	16.9	10.6	6.7	4.2
85	64.0	40.3	25.3	15.9	10.0	6.3	4.0
90	60.5	38.0	23.9	15.0	9.5	5.9	3.7
96	56.7	35.6	22.4	14.1	8.9	5.6	3.5

Power Supplies

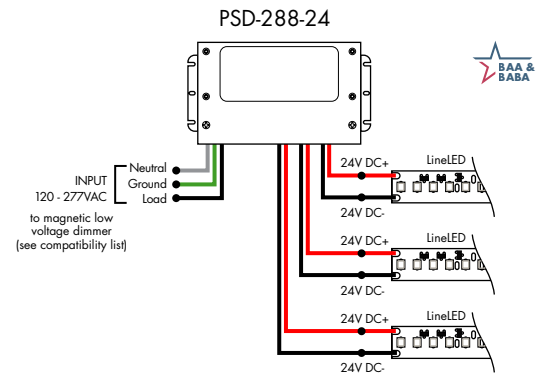
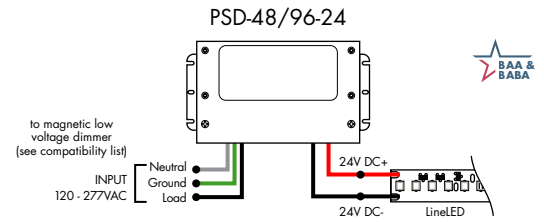
See Power Supply instructions and spec sheet for wiring information. For a complete list of compatible dimmers, see Compatible Dimming Chart on the Resources page.

For use with Static White

Ordering Code - Dimming Power Supplies 1% 120VAC - 277VAC

MODEL	WATTAGE	OUTPUT	INPUT
PSD-PSD Series	48 - 48 Watts 96 - 96 Watts 288 - 288 Watts	24 - 24 VDC	Blank - 120 VAC 277 - 277 VAC

MODELS	PSD-48-24	PSD-96-24	PSD-288-24
Length	11.25"	11.25"	13.06"
Width	3.42"	3.42"	8.42"
Depth	3.24"	3.27"	4.47"



For use with Static White

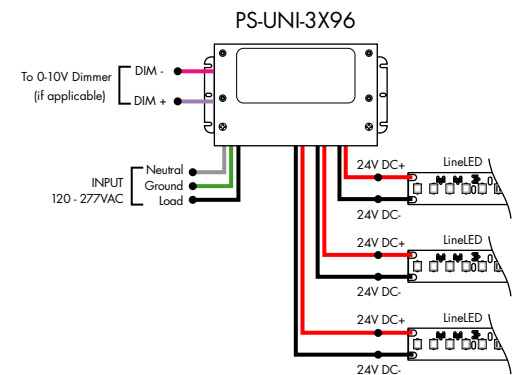
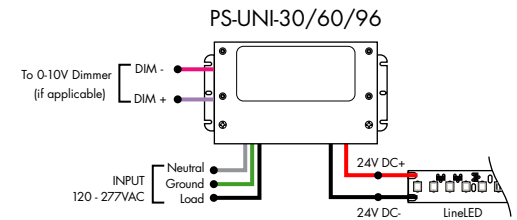
Ordering Code - Universal Dimming Power Supplies 0.1% 120VAC - 277VAC

MODEL	INPUT CONTROL	WATTAGE	OUTPUT
PS-Power Supply, 120-277VAC	UNI - 0-10V Dimming (0.1%), Phase Dimming (0.1%)	30 - 30 Watts 60 - 60 Watts 96 - 96 Watts 3x96 - 3x96 Watts	24 - 24 VDC

Compatibility: View a complete list of compatible dimmers on the PS-UNI product page.

0-10V - 0.1% dimming
MLV/ELV/TRIAC - 0.1% dimming, consult dimming compatibility chart

MODELS	PS-UNI-30W	PS-UNI-60W	PS-UNI-96W	PS-UNI-3X96W
Length	6.50"	7.40"	8.66"	11.85"
Width	3.73"	3.73"	3.73"	4.32"
Depth	1.61"	1.61"	1.61"	1.81"



Power Supplies

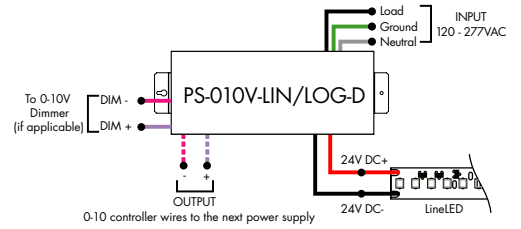
See Power Supply instructions and spec sheet for wiring information. For a complete list of compatible dimmers, see Compatible Dimming Chart on the Resources page.

For use with Static White

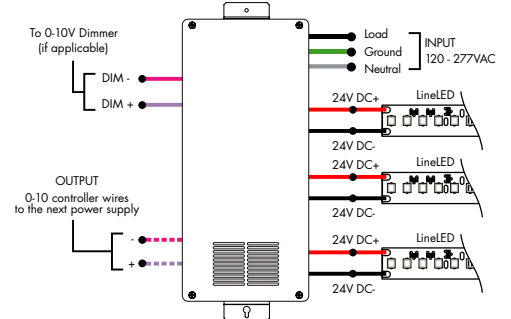
Ordering Code - 0-10V Dimming Power Supplies 0.1% 120VAC - 277VAC

MODEL	INPUT CONTROL	ENVIRONMENT	WATTAGE	OUTPUT
PS - Power Supply, 120-277VAC	010V-LIN - 0-10V Dimming (0.1%), Linear	D - Dry	96 - 96 Watts 3x96 - 3x96 Watts	24 - 24 VDC
	010V-LOG - 0-10V Dimming (0.1%), Logarithmic			

MODELS	96W	3X96
Length	14.40"	15.00"
Width	5.20"	6.62"
Depth	2.60"	4.45"



PS-010V-LIN/LOG-D-3X96

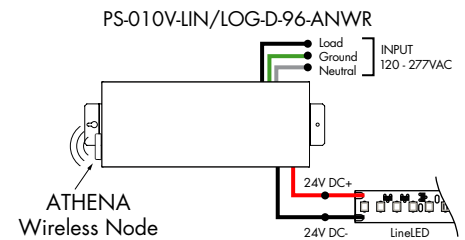


For use with Static White

Ordering Code - Athena 0-10V LED Driver

MODEL	INPUT CONTROL	ENVIRONMENT	WATTAGE	OUTPUT	FEATURE
PS - Power Supply, 120-277VAC	010V-LIN - 0-10V Dimming (0.1%), Linear	D - Dry	96 - 96 Watts	24 - 24 VDC	AWNWR - Athena Wireless Node
	010V-LOG - 0-10V Dimming (0.1%), Logarithmic				

MODELS	96W
Length	14.40"
Width	5.20"
Depth	2.60"

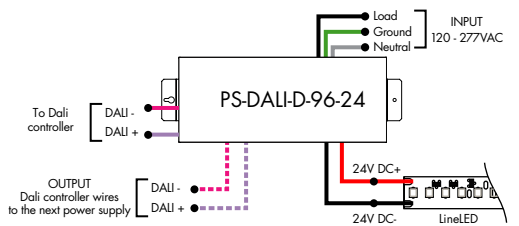


For use with Static White

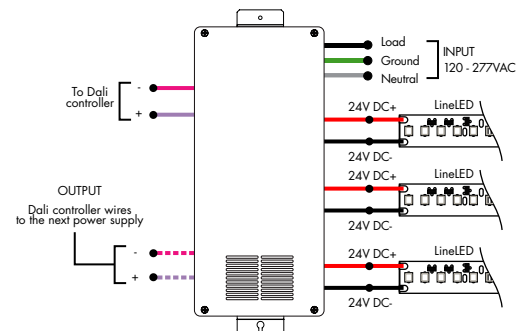
Ordering Code - DALI Dimming Power Supplies 0.1% 120VAC - 277VAC

MODEL	INPUT CONTROL	ENVIRONMENT	WATTAGE	OUTPUT
PS - Power Supply, 120-277VAC	DALI - DALI (0.1%)	D - Dry	96 - 96 Watts 3x96 - 3x96 Watts	24 - 24 VDC

Model	96W	3X96
Length	14.40"	15.00"
Width	5.20"	6.62"
Depth	2.60"	4.56"



PS-DALI-D-3X96-24



Power Supplies

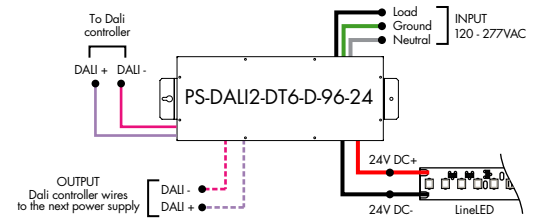
See Power Supply instructions and spec sheet for wiring information. For a complete list of compatible dimmers, see Compatible Dimming Chart on the Resources page.

For use with Static White

Ordering Code - DALI 2 Dimming Power Supplies 0.1% 120VAC - 277VAC

MODEL	INPUT CONTROL	ENVIRONMENT	WATTAGE	OUTPUT
PS-Power Supply, 120-277VAC	DALI2-DT6-DALI2 DT6 (0.1%)	D-Dry	96-96 Watts	24-24 VDC

Model	96W
Length	14.40"
Width	5.20"
Depth	2.60"



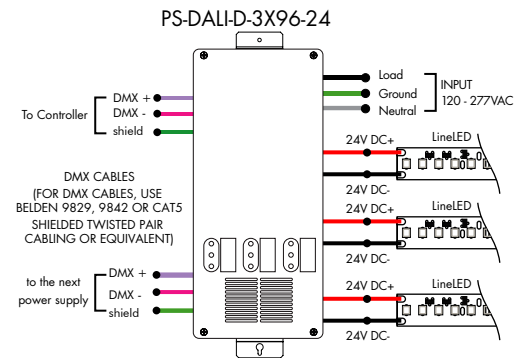
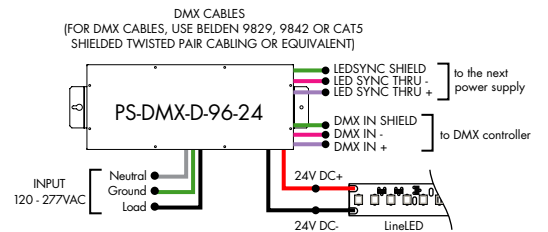
For use with Static White

Ordering Code - DMX Dimming Power Supplies 0.1% 120VAC - 277VAC

MODEL	INPUT CONTROL	ENVIRONMENT	WATTAGE	OUTPUT
PS-Power Supply, 120-277VAC	DMX-DMX (0.1%)	D-Dry	96-96 Watts 3x96-3x96 Watts	24-24 VDC

MODELS	96W	3X96
Length	14.40"	15.00"
Width	5.20"	6.62"
Depth	2.60"	4.56"

ZONAL CONTROL POWER SUPPLIES.
CONTROL MULTIPLE TAPES/ZONES USING DMX CHANNELS.

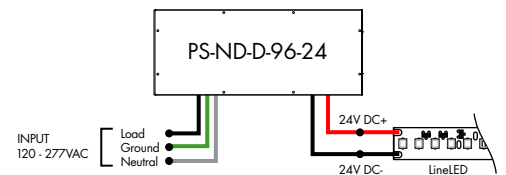


For use with Static White

Ordering Code - Non-Dimming Power Supply, 120VAC - 277VAC

MODEL	INPUT CONTROL	ENVIRONMENT	WATTAGE	OUTPUT
PS-Power Supply, 120-277VAC	ND-Non Dimming	D-Dry	96-96 Watts	24-24 VDC

MODELS	96W
Length	14.40"
Width	5.20"
Depth	2.60"



Power Supplies

See Power Supply instructions and spec sheet for wiring information. For a complete list of compatible dimmers, see Compatible Dimming Chart on the Resources page.

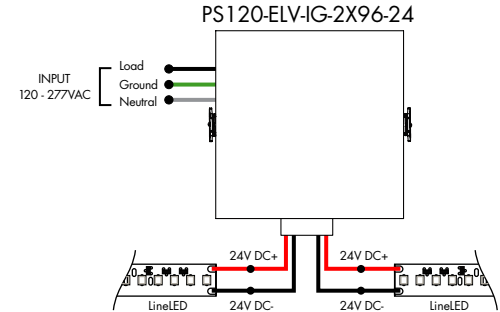
For use with Static White

Ordering Code - In-Ground Power Supplies

MODEL	INPUT CONTROL	ENVIRONMENT	WATTAGE	OUTPUT
PS120 - Power Supply, 120VAC PS240 - Power Supply, 240VAC PS277 - Power Supply, 277VAC	ELV-ELV Dimming (1%)	IG-In Ground	2X96-2X96 Watts	24-24 VDC

MODELS 2X96W

Length	8.40"
Width	8.30"
Depth	8.10"



Luminii is a Lutron OEM Advantage Partner

Lutron Power Supplies 1%

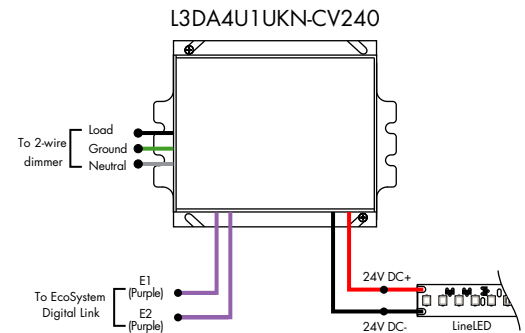
MODEL

L3DA4U1UKL-CV240

HiLume™ 1% EcoSystem Voltage LED driver 40W max

MODELS L3DA4U1UKL-CV240

Length	4.98"
Width	4.00"
Depth	2.62"



Luminii is a Lutron OEM Advantage Partner

Lutron Power Supplies 0.1%

MODEL

L3D0-96W24V-U

HiLume™ 0.1% EcoSystem Voltage LED Driver with Soft-On, Fade-to-Black™ 96W max

MODELS L3D0

Length	10.50"
Width	5.50"
Depth	2.00"

