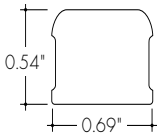


Features



- 24VDC Class 2 fixtures made to order up to 144". Fixtures can be linked up to 90' depending on output
- Suitable for grazer, surface mount, architectural reveals, handrail, and accent lighting applications. and surface mount applications
- Class 2 listed for damp locations
- Dot free even illumination with frosted lens
- Average Life (L70): 50,000hrs
- 7 year warranty
- Proprietary strong bond solder method handles up to 50 lbs of pull force on wire leads and connectors
- Vibrant Color options offer premium color quality with R9 values up to 98
- High Efficacy options offer best in class output and efficacy with up to 930 lm/ft and up to 132 lm/W



Finish Options (see page 3 for additional information)

- Powder Coat** ■ Black ■ Bronze □ White
- Premium** ■ Matte Black ■ Warm Nickel ■ Aged Brass
 ■ Polished Gold ■ Chrome



Technical Information

TYPE	Vibrant Color VC72					
OUTPUT OPTIONS	VC72VLO	VC72LO	VC72SO	VC72MO	VC72HO	VC72VHO
Lumens Output (3000K) (with a Narrow Beam Grazer)	72 lm/ft	185 lm/ft	246 lm/ft	325 lm/ft	393 lm/ft	523 lm/ft
Average Power Consumption (for a 4" section)	1.1 W/ft	2.8 W/ft	3.7 W/ft	4.9 W/ft	5.9 W/ft	7.9 W/ft
Efficacy	65 lm/W	66 lm/W	66 lm/W	66 lm/W	67 lm/W	66 lm/W
Max Run Length (in series)	56.9 ft	32 ft	28 ft	24 ft	21 ft	18 ft
Ambient Operating Temperature Range*	-4°F - 122°F (-20°C - 50°C)				-4°F - 95°F (-20°C - 35°C)	

* Ambient Operating Temperature Range to maintain L70 of 50k+ hours in normal mounting conditions for the fixture. Exceeding Ambient Operating Temperature Range may result in decreased life/output. Consult Technical Support for specific inquiries.

TYPE	High Efficacy HE64					
OUTPUT OPTIONS	HE64VLO	HE64LO	HE64SO	HE64MO	HE64HO	HE64VHO
Lumens Output (3000K) (with a Narrow Beam Grazer)	80 lm/ft	173 lm/ft	248 lm/ft	331 lm/ft	470 lm/ft	644 lm/ft
Average Power Consumption (for a 4" section)	1 W/ft	1.9 W/ft	2.9 W/ft	3.8 W/ft	5.6 W/ft	7.1 W/ft
Efficacy	80 lm/W	91 lm/W	86 lm/W	87 lm/W	84 lm/W	91 lm/W
Max Run Length (in series)	90 ft	55 ft	34.9 ft	26 ft	17 ft	13 ft
Ambient Operating Temperature Range*	-4°F - 122°F (-20°C - 50°C)				-4°F - 113°F (-20°C - 45°C)	

* Ambient Operating Temperature Range to maintain L70 of 50k+ hours in normal mounting conditions for the fixture. Exceeding Ambient Operating Temperature Range may result in decreased life/output. Consult Technical Support for specific inquiries.

CCT	Multiplier (ref. - 30K)	TM-30		
		CRI	R _f	R _g R ₉
1800K	0.50	95	94	99 86
2200K	0.66	96	94	101 95
2400K	0.90	98	96	101 91
2700K	0.93	98	96	102 93
3000K	1.00	97	94	104 99
3500K	1.04	96	94	105 97
4100K	1.05	97	95	104 96

CCT	Multiplier (ref. - 30K)	TM-30		
		CRI	R _f	R _g R ₉
2200K	0.74	94	91	96 65
2400K	0.87	94	92	97 56
2700K	0.97	94	92	100 57
3000K	1.00	93	91	99 54
3500K	1.01	95	91	99 62
4000K	1.04	95	91	99 68

Ordering Code

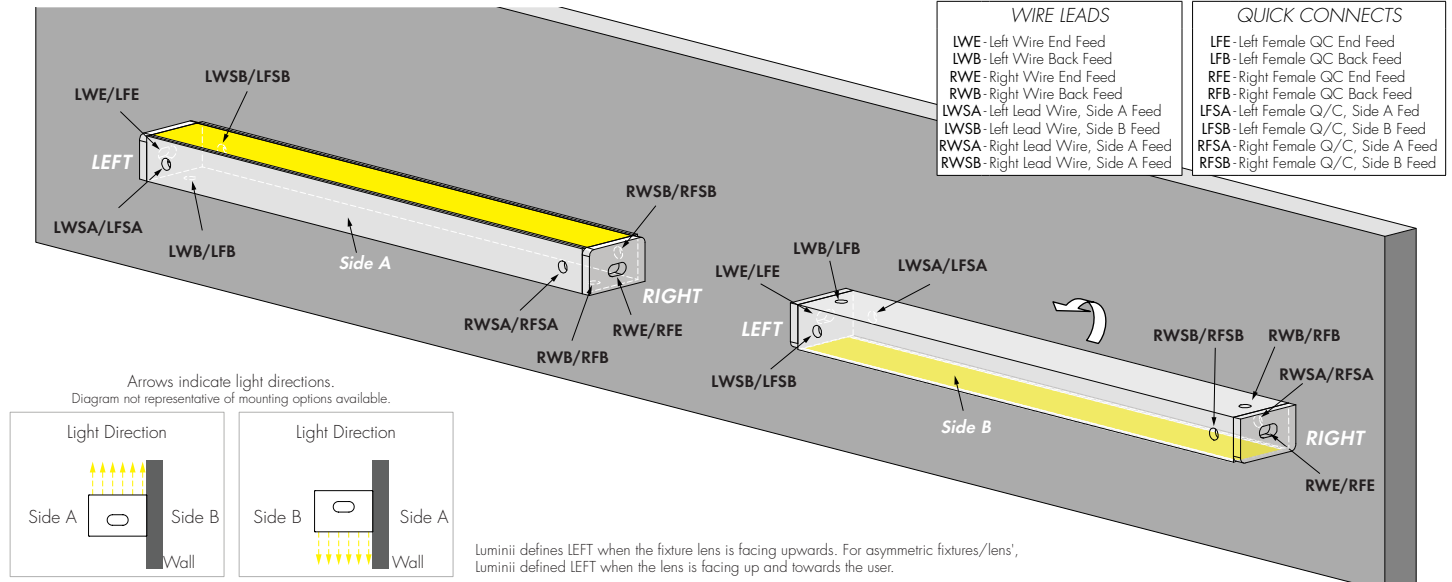
MODEL	LENGTH ¹	OUTPUT ²	CCT	LENS	MOUNTING	FINISH ⁴	FEED POSITION LEFT ⁶	FEED POSITION RIGHT ⁶	ACCESSORIES	
KM-BABA - Kendo M BABA	12"-144" 1" increments	VC72VLO - Very Low	18K - 1800K	GR - Narrow Beam Grazer	FC - Fixed Clip A - Adjustable Hinge Mounting FC45 - Fixed Clip, 45° MAG - Magnetic	POWDER COAT BK - Black BZ - Bronze WH - White	WIRE LEADS (72") LWE - Wire End Feed LWB - Wire Back Feed LWSA - Wire Side A Feed LWSB - Wire Side B Feed LNPF - No Power Feed	WIRE LEADS (72") RWE - Wire End Feed RWB - Wire Back Feed RWSA - Wire Side A Feed RWSB - Wire Side B Feed RNPF - No Power Feed	--- N/A, leave blank BLS - Blade louver, Silver BLBK - Blade louver, Black BLWH - Blade louver, White GSS - Glare shield, Silver GSBK - Glare shield, Black GSWH - Glare shield, White	
		VC72LO - Low	22K - 2200K							VC72SO - Standard
	12"-144" 2" increments	HE64VLO - Very Low	22K - 2200K			PREMIUM MBK - Matte Black WVN - Warm Nickel AB - Aged Brass PG - Polished Gold ⁵ CH - Chrome ⁵	QUICK CONNECTS (4") LFE - Female Q/C, End Feed LFB - Female Q/C, Back Feed LFSA - Female Q/C, Side A Feed LFSB - Female Q/C, Side B Feed LNPF - No Power Feed	QUICK CONNECTS (4") RFE - Female Q/C, End Feed RFB - Female Q/C, Back Feed RFSA - Female Q/C, Side A Feed RFSB - Female Q/C, Side B Feed RNPF - No Power Feed		

1 - Custom lengths and increments are available, please consult Inside Sales with specific request.
 2 - Title 24 JA8 achievable depending on Output, CCT, and lens selections. See multiplier charts to calculate specific efficacies.
 3 - Finishes may have extended lead times. Custom RALs are available, please consult Inside Sales with specific request.

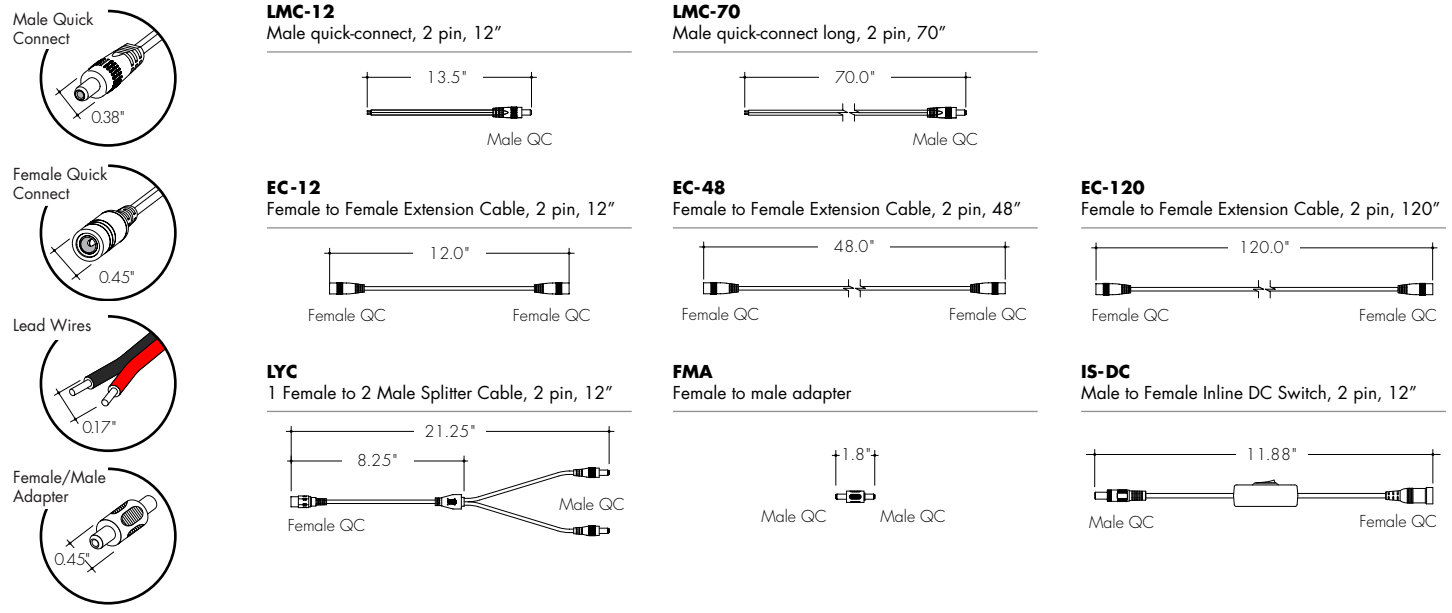
4 - Polished Gold finishes and Chrome finishes have a maximum fixture length of 96".
 5 - LNPF - RNPF is not a valid configuration option

Powerfeeds and Connectors

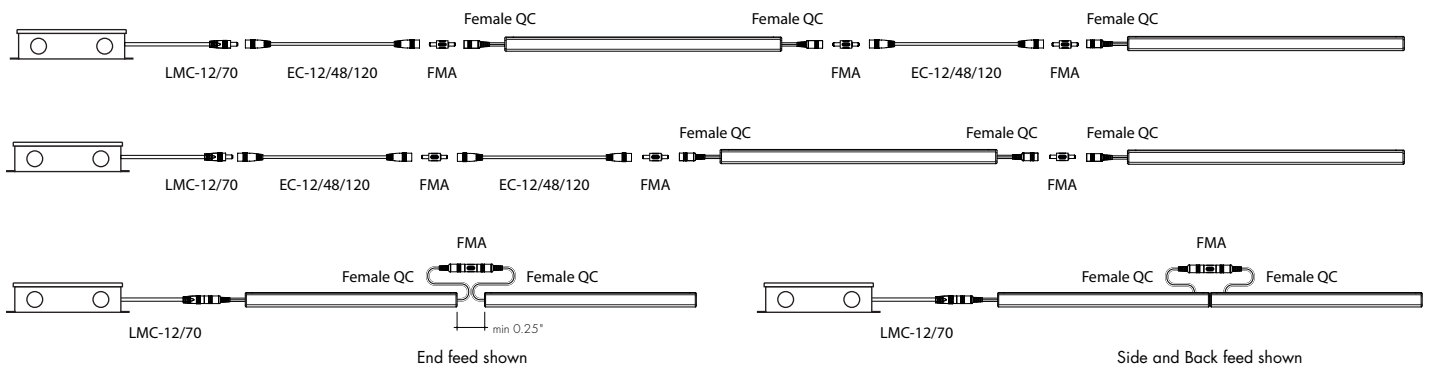
Power Feed Position Options and Orientation



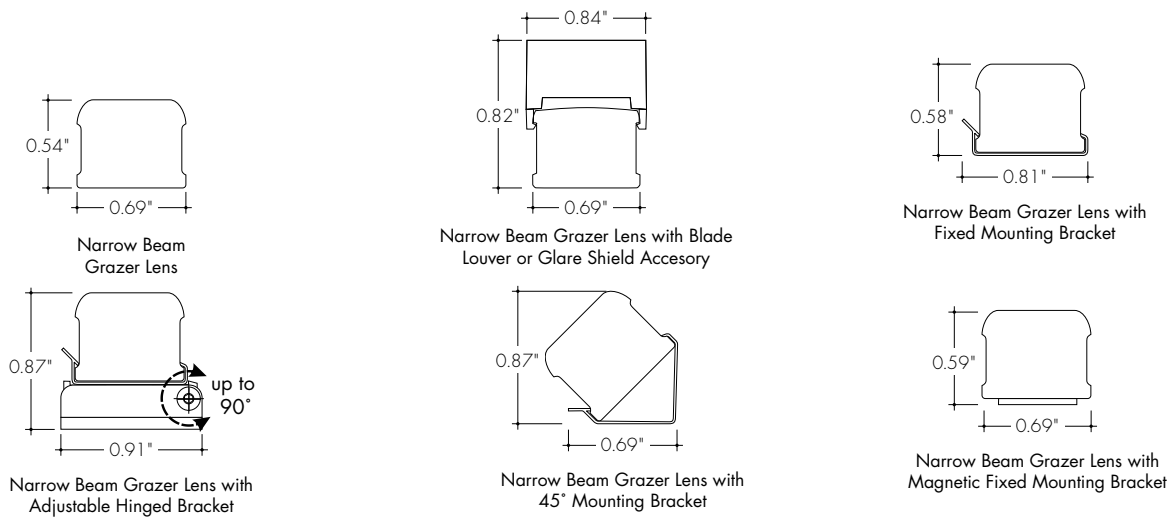
Linking and Extension Cable Options



Sample Layout

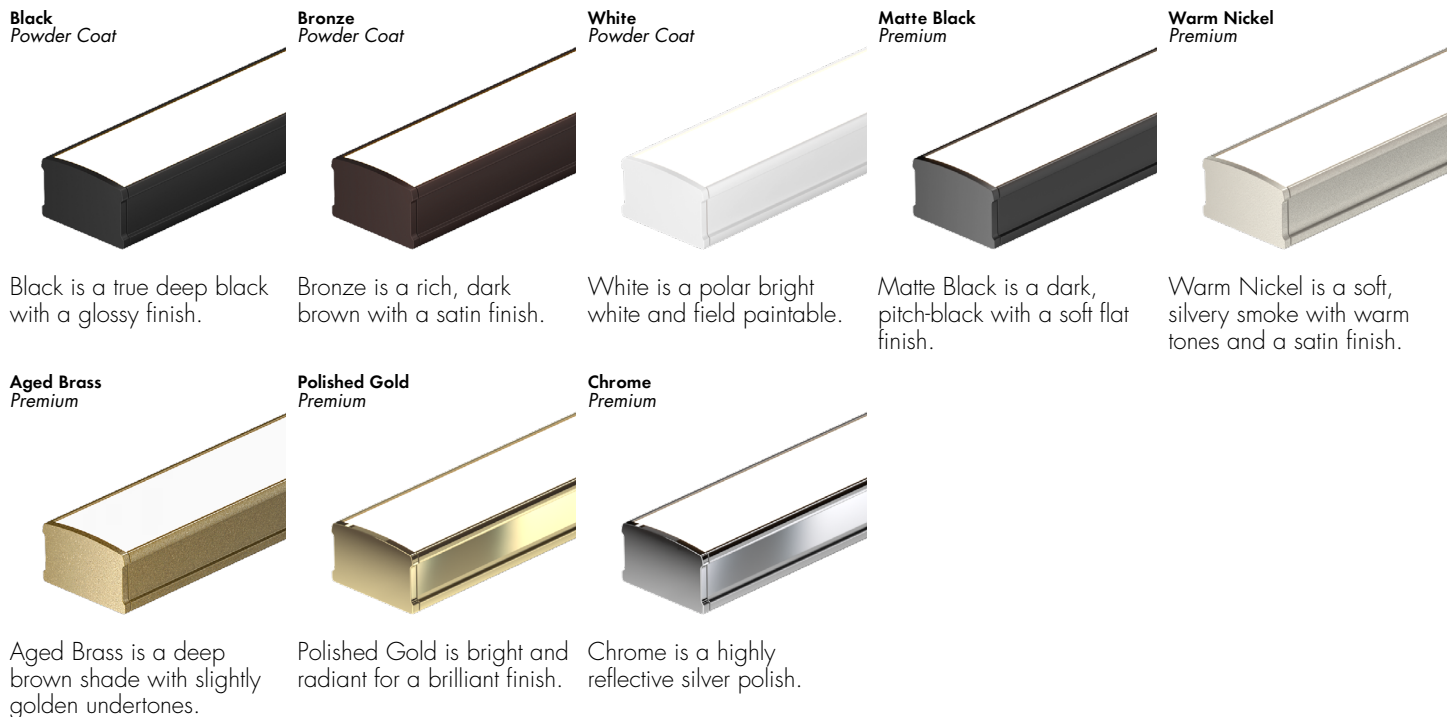


Product Dimensions



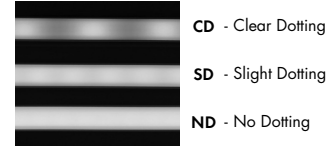
Finish Options

- Finish options are available in a wide variety, allowing for complete customization of style and aesthetic.
- Finishes may have extended lead times and price adder.
- Polished Gold and Chrome finishes have a maximum fixture length of 96".
- Custom RALs are available, please consult Inside Sales with specific request.

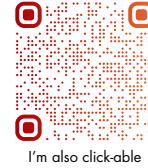


Light Transmission and Dotting

Output Options	Lens/Accessory			
	Narrow Beam Grazer			
Dimming Level	100%	50%	10%	1%
VC72VLO	CD	CD	CD	CD
VC72LO	CD	CD	CD	CD
VC72SO	CD	CD	CD	CD
VC72MO	CD	CD	CD	CD
VC72HO	CD	CD	CD	CD
VC72VHO	CD	CD	CD	CD
HE64VLO	CD	CD	CD	CD
HE64LO	CD	CD	CD	CD
HE64SO	CD	CD	CD	CD
HE64MO	CD	CD	CD	CD
HE64HO	CD	CD	CD	CD
HE64VHO	CD	CD	CD	CD
Transmission Percentage	100%			

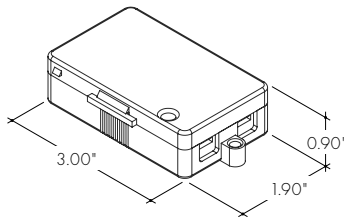


Use complete Dotting Chart Tool online for more dotting information

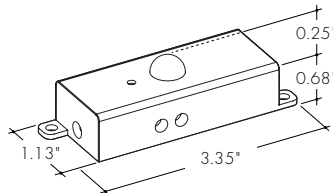


Accessory Options

LVSP-4T-BK
Low Voltage, 4 Terminal Splice Box, Black, IP20

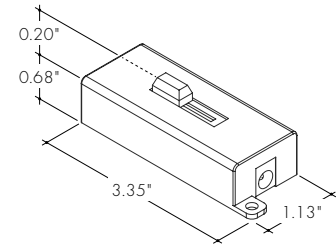


O5-DC-F4-BK
Occupancy Sensor



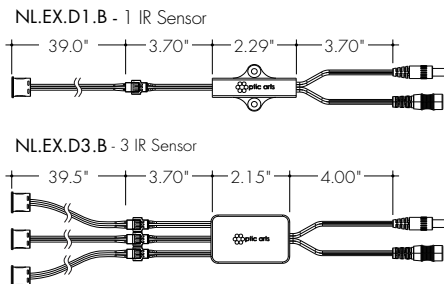
Male Quick Connect, FMA, ILC, LYC, or IS-DC are required for input and output.

DIM-DC-F4-BK
24VDC Low Voltage In-line Dimmer Module



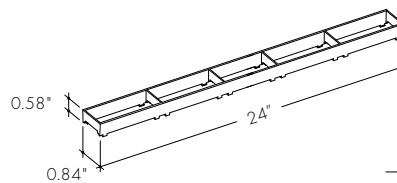
Male Quick Connect, FMA, ILC, LYC, or IS-DC are required for input and output.

NL.EX.D1.B & NL.EX.D3.B
Near Infrared Remote Door Sensor

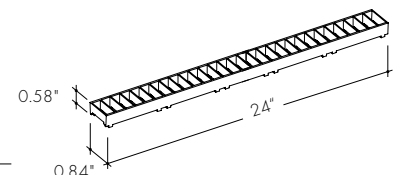


Male Quick Connect, FMA, ILC, LYC, or IS-DC are required for input and output. For more information visit Sensor Spec Sheet [\(Link\)](#)

LV-GS-KMSC-24-XX
Glare Shield reduces glare at high angle, field cuttable. Also available with complete fixture, use ordering code **-GSXX**



LV-BL-KMSC-24-XX
Blade Louver reduces glare at high angle in two directions. Also available with complete fixture, use ordering code **-BLXX**

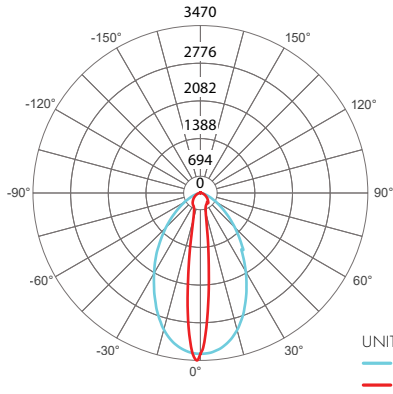


XX	Color
WH	White
BK	Black
SL	Silver

Photometry

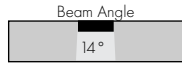
KM-48-VC72VHO-30K-GR

Kendo M, 4ft, VHO, 3000K, Narrow BeamGrazer Lens



Zonal Lumen Summary 3000K

Zone	Lumen	% Fixture
0-30	243	46%
0-40	329	63%
0-60	458	88%
0-90	517	99%
Total	523	100%



UNIT: CD
 — C0/180
 — C90/270

Power Consumption

Please visit the link/QR code below to access the Luminii Power Consumption Chart tool on our website.

There you will be able to select your fixture, output, and desired power feed to get a full power consumption table.



I'm also click-able

Desired Nominal Length: _____

Desired Output: _____

Desired CCT: _____

Voltage Drop Calculator

The below chart assumes nominal voltage of 24 Volts and a Voltage Drop Allowance of 3% through the wire

Wattage [W]	Wire Length From Power Supply to Start of Run [ft]						
	12 AWG	14 AWG	16 AWG	18 AWG	20 AWG	22 AWG	24 AWG
5	1088.2	684.4	430.3	270.6	170.2	107.1	67.3
10	544.1	342.2	215.1	135.3	85.1	53.5	33.7
15	362.7	228.1	143.4	90.2	56.7	35.7	22.4
20	272.0	171.1	107.6	67.7	42.6	26.8	16.8
25	217.6	136.9	86.1	54.1	34.0	21.4	13.5
30	181.4	114.1	71.7	45.1	28.4	17.8	11.2
35	155.5	97.8	61.5	38.7	24.3	15.3	9.6
40	136.0	85.5	53.8	33.8	21.3	13.4	8.4
45	120.9	76.0	47.8	30.1	18.9	11.9	7.5
50	108.8	68.4	43.0	27.1	17.0	10.7	6.7
55	98.9	62.2	39.1	24.6	15.5	9.7	6.1
60	90.7	57.0	35.9	22.6	14.2	8.9	5.6
65	83.7	52.6	33.1	20.8	13.1	8.2	5.2
70	77.7	48.9	30.7	19.3	12.2	7.6	4.8
75	72.5	45.6	28.7	18.0	11.3	7.1	4.5
80	68.0	42.8	26.9	16.9	10.6	6.7	4.2
85	64.0	40.3	25.3	15.9	10.0	6.3	4.0
90	60.5	38.0	23.9	15.0	9.5	5.9	3.7
96	56.7	35.6	22.4	14.1	8.9	5.6	3.5

Power Supplies

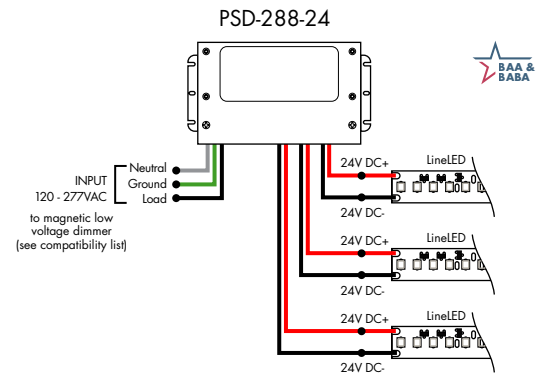
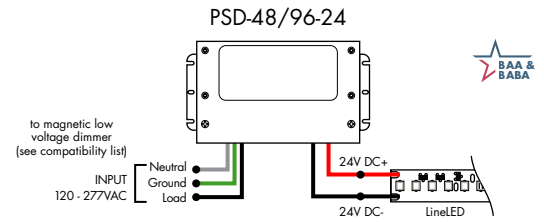
See Power Supply instructions and spec sheet for wiring information. For a complete list of compatible dimmers, see Compatible Dimming Chart on the Resources page.

For use with Static White

Ordering Code - Dimming Power Supplies 1% 120VAC - 277VAC

MODEL	WATTAGE	OUTPUT	INPUT
PSD-PSD Series	48 - 48 Watts 96 - 96 Watts 288 - 288 Watts	24 - 24 VDC	Blank - 120 VAC 277 - 277 VAC

MODELS	PSD-48-24	PSD-96-24	PSD-288-24
Length	11.25"	11.25"	13.06"
Width	3.42"	3.42"	8.42"
Depth	3.24"	3.27"	4.47"



For use with Static White

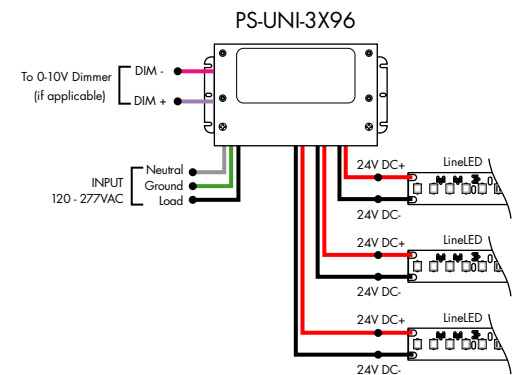
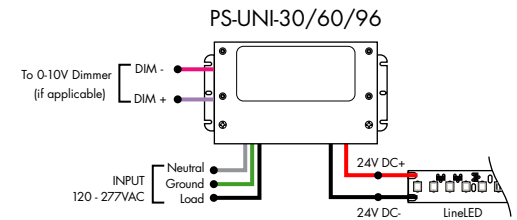
Ordering Code - Universal Dimming Power Supplies 0.1% 120VAC - 277VAC

MODEL	INPUT CONTROL	WATTAGE	OUTPUT
PS-Power Supply, 120-277VAC	UNI - 0-10V Dimming (0.1%), Phase Dimming (0.1%)	30 - 30 Watts 60 - 60 Watts 96 - 96 Watts 3x96 - 3x96 Watts	24 - 24 VDC

Compatibility: View a complete list of compatible dimmers on the PS-UNI product page.

0-10V - 0.1% dimming
MLV/ELV/TRIAC - 0.1% dimming, consult dimming compatibility chart

MODELS	PS-UNI-30W	PS-UNI-60W	PS-UNI-96W	PS-UNI-3X96W
Length	6.50"	7.40"	8.66"	11.85"
Width	3.73"	3.73"	3.73"	4.32"
Depth	1.61"	1.61"	1.61"	1.81"



Power Supplies

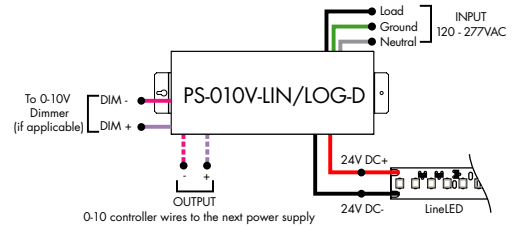
See Power Supply instructions and spec sheet for wiring information. For a complete list of compatible dimmers, see Compatible Dimming Chart on the Resources page.

For use with Static White

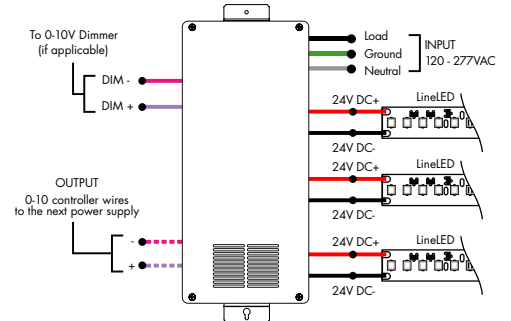
Ordering Code - 0-10V Dimming Power Supplies 0.1% 120VAC - 277VAC

MODEL	INPUT CONTROL	ENVIRONMENT	WATTAGE	OUTPUT
PS - Power Supply, 120-277VAC	010V-LIN - 0-10V Dimming (0.1%), Linear	D-Dry	96-96 Watts 3x96-3x96 Watts	24-24 VDC
	010V-LOG - 0-10V Dimming (0.1%), Logarithmic			

MODELS	96W	3X96
Length	14.40"	15.00"
Width	5.20"	6.62"
Depth	2.60"	4.45"



PS-010V-LIN/LOG-D-3X96

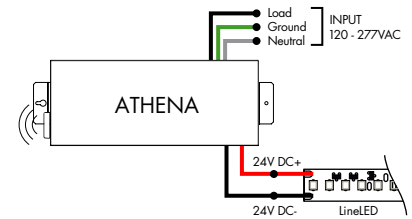


For use with Static White

Ordering Code - Athena 0-10V LED Driver

MODEL	INPUT CONTROL	ENVIRONMENT	WATTAGE	OUTPUT	FEATURE
PS - Power Supply, 120-277VAC	010V-LIN - 0-10V Dimming (0.1%), Linear	D-Dry	96-96 Wwatts	24-24 VDC	AWNR - Athena
	010V-LOG - 0-10V Dimming (0.1%), Logarithmic				

MODELS	96W
Length	14.40"
Width	5.20"
Depth	2.60"

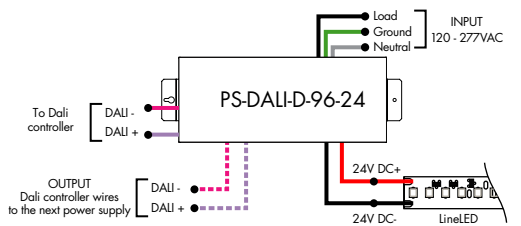


For use with Static White

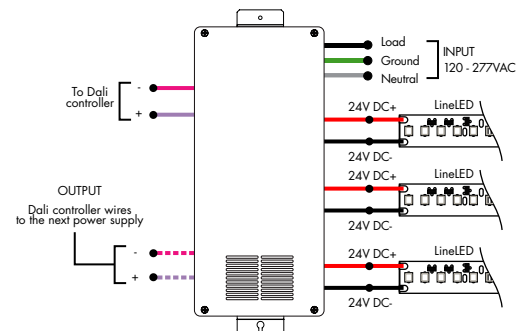
Ordering Code - DALI Dimming Power Supplies 0.1% 120VAC - 277VAC

MODEL	INPUT CONTROL	ENVIRONMENT	WATTAGE	OUTPUT
PS - Power Supply, 120-277VAC	DALI - DALI (0.1%)	D-Dry	96-96 Watts 3x96-3x96 Watts	24-24 VDC

Model	96W	3X96
Length	14.40"	15.00"
Width	5.20"	6.62"
Depth	2.60"	4.56"



PS-DALI-D-3X96-24



Power Supplies

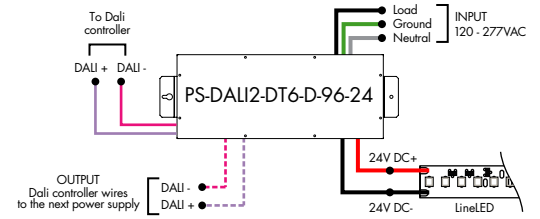
See Power Supply instructions and spec sheet for wiring information. For a complete list of compatible dimmers, see Compatible Dimming Chart on the Resources page.

For use with Static White

Ordering Code - DALI 2 Dimming Power Supplies 0.1% 120VAC - 277VAC

MODEL	INPUT CONTROL	ENVIRONMENT	WATTAGE	OUTPUT
PS-Power Supply, 120-277VAC	DALI2-DT6-DALI2 DT6 (0.1%)	D-Dry	96-96 Watts	24-24 VDC

Model	96W
Length	14.40"
Width	5.20"
Depth	2.60"



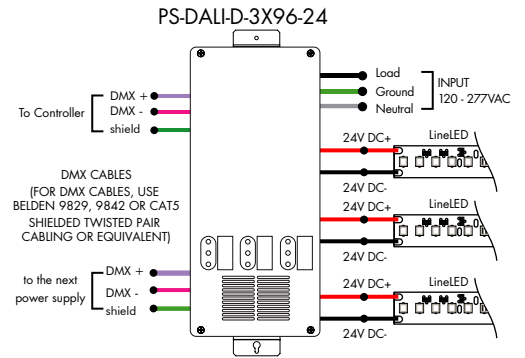
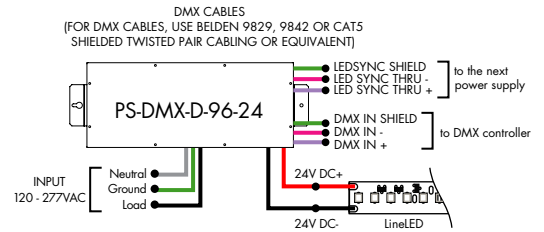
For use with Static White

Ordering Code - DMX Dimming Power Supplies 0.1% 120VAC - 277VAC

MODEL	INPUT CONTROL	ENVIRONMENT	WATTAGE	OUTPUT
PS-Power Supply, 120-277VAC	DMX-DMX (0.1%)	D-Dry	96-96 Watts 3x96-3x96 Watts	24-24 VDC

MODELS	96W	3X96
Length	14.40"	15.00"
Width	5.20"	6.62"
Depth	2.60"	4.56"

ZONAL CONTROL POWER SUPPLIES.
CONTROL MULTIPLE TAPES/ZONES USING DMX CHANNELS.

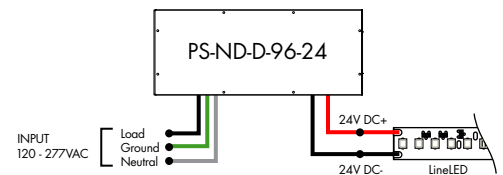


For use with Static White

Ordering Code - Non-Dimming Power Supply, 120VAC - 277VAC

MODEL	INPUT CONTROL	ENVIRONMENT	WATTAGE	OUTPUT
PS-Power Supply, 120-277VAC	ND-Non Dimming	D-Dry	96-96 Watts	24-24 VDC

MODELS	96W
Length	14.40"
Width	5.20"
Depth	2.60"



Power Supplies

See Power Supply instructions and spec sheet for wiring information. For a complete list of compatible dimmers, see Compatible Dimming Chart on the Resources page.

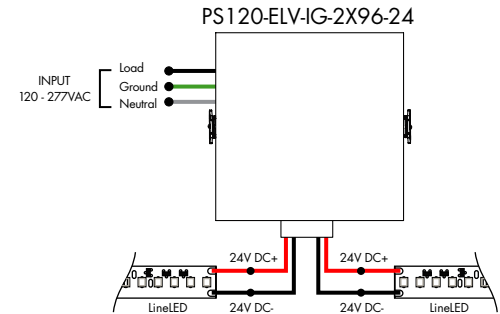
For use with Static White

Ordering Code - In-Ground Power Supplies

MODEL	INPUT CONTROL	ENVIRONMENT	WATTAGE	OUTPUT
PS120 - Power Supply, 120VAC PS240 - Power Supply, 240VAC PS277 - Power Supply, 277VAC	ELV-ELV Dimming (1%)	IG-In Ground	2X96-2X96 Watts	24-24 VDC

MODELS 2X96W

Length	8.40"
Width	8.30"
Depth	8.10"



Luminii is a Lutron OEM Advantage Partner

Lutron Power Supplies 1%

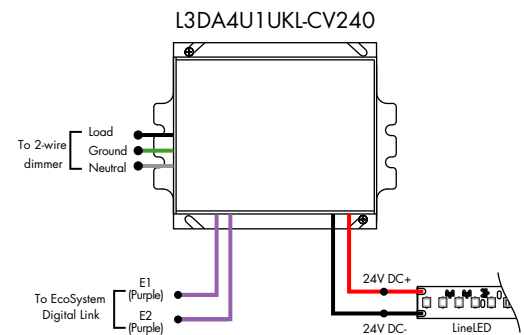
MODEL

L3DA4U1UKL-CV240

HiLume™ 1% EcoSystem Voltage LED driver 40W max

MODELS L3DA4U1UKL-CV240

Length	4.98"
Width	4.00"
Depth	2.62"



Luminii is a Lutron OEM Advantage Partner

Lutron Power Supplies 0.1%

MODEL

L3D0-96W24V-U

HiLume™ 0.1% EcoSystem Voltage LED Driver with Soft-On, Fade-to-Black™ 96W max

MODELS L3D0

Length	10.50"
Width	5.50"
Depth	2.00"

