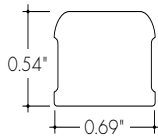


**Features**



- 24VDC Class 2 and IP68 rated for wet locations, fixtures made to order up to 144". Fixtures can be linked up to 48' depending on output
- Suitable for surface mount, grazer, outdoor, wet, architectural reveals, handrail, and accent lighting
- Average Life (L70): 50,000hrs
- 3 year warranty
- High Color Quality options offer premium quality and vibrant colors with R9 values up to 97
- High Efficacy options offer best in class output and efficacy with over 519 lm/ft and over 70 lm/W
- Proprietary strong bond solder method handles up to 50 lbs of pull force on wire leads and connectors



**Finish Options** (see page 3 for additional information)

Base	<input type="checkbox"/> Silver Anodized
Powder Coat	<input type="checkbox"/> Black <input type="checkbox"/> Bronze <input type="checkbox"/> White
Premium	<input type="checkbox"/> Matte Black <input type="checkbox"/> Warm Nickel <input type="checkbox"/> Aged Brass <input type="checkbox"/> Polished Gold <input type="checkbox"/> Chrome



**Technical Information**

MODEL	High Color Quality			High Efficacy				High Efficacy
	72SO	72HO	72VHO	HE48LO	HE48SO	HE48MO	HE48HO	HE64VHO
<b>OUTPUT OPTIONS</b>								
<b>Lumens Output (3000K)</b>	142 lm/ft	231 lm/ft	281 lm/ft	138 lm/ft	191 lm/ft	256 lm/ft	411 lm/ft	519 lm/ft
<b>Average Power Consumption (for a 4" section)</b>	2.8 W/ft	4.8 W/ft	6 W/ft	1.9 W/ft	2.8 W/ft	3.5 W/ft	6.5 W/ft	7.5 W/ft
<b>Efficacy</b>	51 lm/W	48 lm/W	47 lm/W	73 lm/W	68 lm/W	73 lm/W	63 lm/W	69 lm/W
<b>Max Run Length (in series)</b>	40 ft	31 ft	22 ft	48 ft	42 ft	33 ft	21 ft	15 ft
<b>Ambient Operating Temperature Range*</b>	-15°F - 125°F (-25°C - 50°C)			-15°F - 125°F (-25°C - 50°C)				-15°F - 115°F (-25°C - 45°C)

\*Ambient Operating Temperature Range to maintain L70 of 50k+ hours in normal mounting conditions for the fixture. Exceeding Ambient Operating Temperature Range may result in decreased life/output. Consult Technical Support for specific inquiries.

**High Color Quality (72)**

CCT	Multiplier (reference - 3000K)	TM-30			
		CRI	R <sub>f</sub>	R <sub>g</sub>	R <sub>9</sub>
2700K	0.97	97	96	99	93
3000K	1.00	96	95	99	92
3500K	1.01	96	95	100	94
4000K	1.34	97	96	102	92

**High Efficacy (HE48/HE64)**

CCT	Multiplier (reference - 3000K)	TM-30			
		CRI	R <sub>f</sub>	R <sub>g</sub>	R <sub>9</sub>
2700K	0.94	92	90	99	46
3000K	1.00	92	89	99	62
3500K	1.02	92	89	99	58
4000K	1.02	92	86	94	52

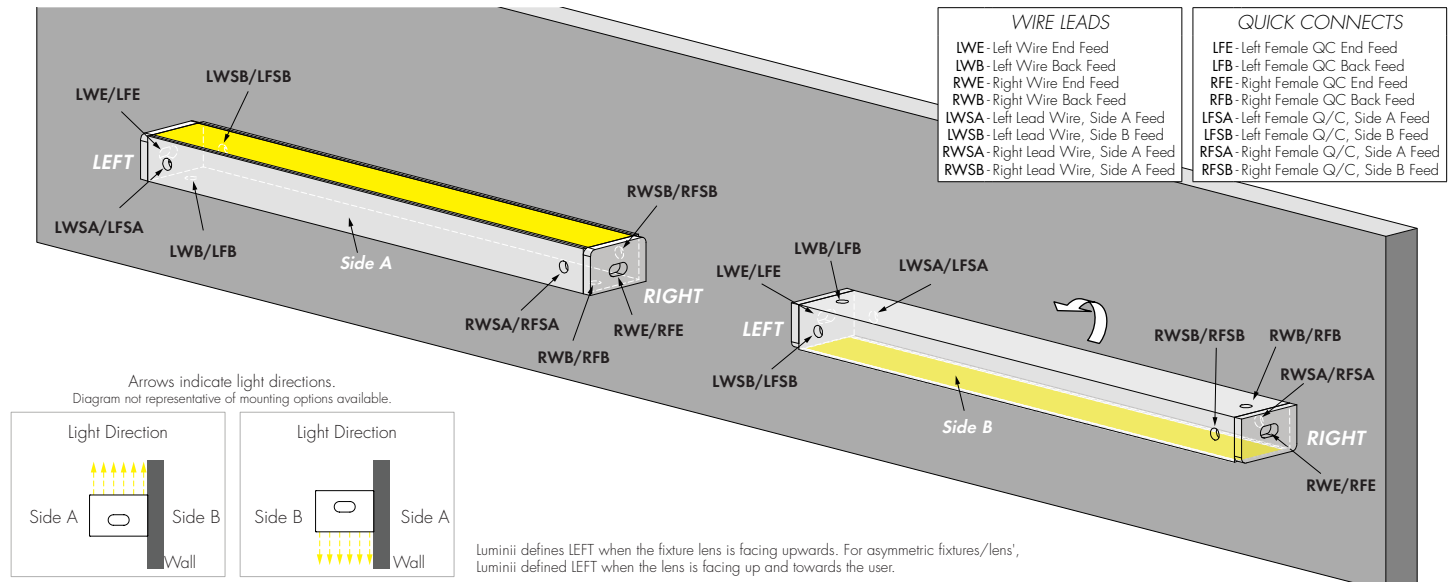
**Ordering Code**

MODEL	LENGTH <sup>1</sup>	OUTPUT <sup>2</sup>	CCT	LENS	MOUNTING	FINISH <sup>3</sup>	FEED POSITION LEFT <sup>5</sup>	FEED POSITION RIGHT <sup>5</sup>	ACCESSORIES
KMW - Kendo M Wet	12" - 144" 1" increments	72SO - Standard	27K - 2700K	GR - Narrow Beam Grazer	FC - Fixed Clip A - Adjustable Hinge Mounting FC45 - Fixed Clip 45° EFC - Tamper Resistant Fixed Clip	BASE SA - Silver Anodized	WIRE LEADS (72") LWE - Wire End Feed LWB - Wire Back Feed LWSA - Wire Side A Feed LWSB - Wire Side B Feed LNPF - No Power Feed	WIRE LEADS (72") RWE - Wire End Feed RWB - Wire Back Feed RWSA - Wire Side A Feed RWSB - Wire Side B Feed RNPF - No Power Feed	--- N/A, leave blank BLS - Blade lower, Silver BLBK - Blade lower, Black BLWH - Blade lower, White GSS - Glare shield, Silver GSBK - Glare shield, Black GSWH - Glare shield, White
		72HO - High	30K - 3000K						
	12" - 144" 2" increments	HE48LO - Low	27K - 2700K			PREMIUM MBK - Matte Black WN - Warm Nickel AB - Aged Brass PG - Polished Gold <sup>4</sup> CH - Chrome <sup>4</sup>			
		HE48SO - Standard	30K - 3000K						
		HE48MO - Medium	35K - 3500K						
		HE48HO - High	40K - 4000K						
		HE64VHO - Very High							

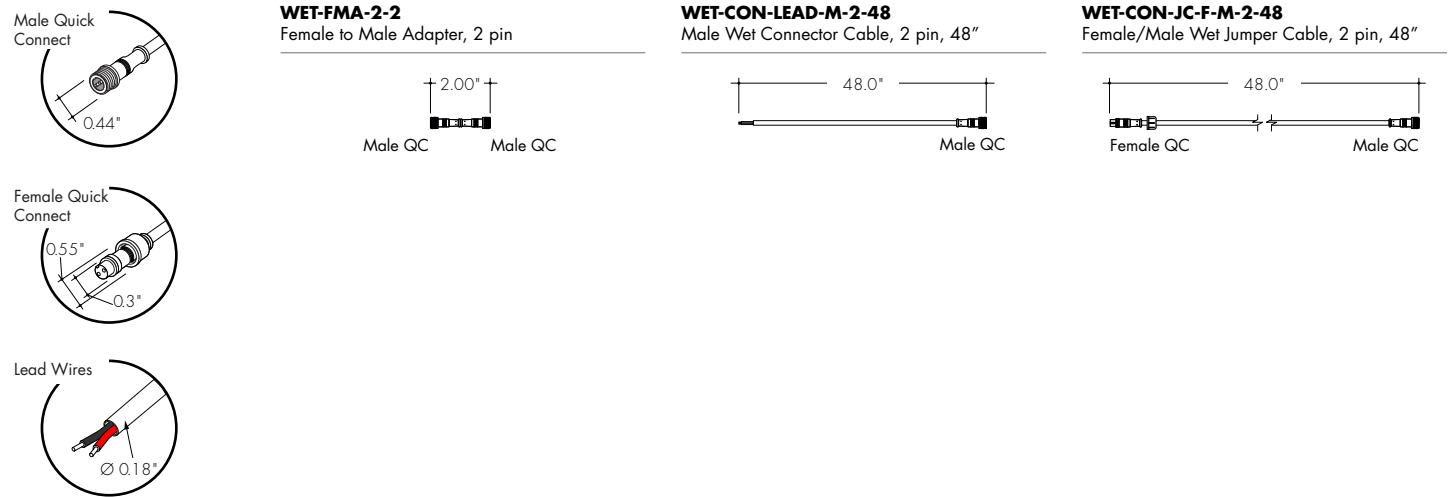
1 - Custom lengths and increments are available, please consult Inside Sales with specific request.  
 2 - All High Efficacy options can be used to comply with Title 24 JA8. High Color Quality options can be used to comply with Title 24 JA8 depending on Output, CCT, and lens selections, see multiplier charts to calculate specific efficacies.  
 3 - Non Base finishes may have extended lead times. Custom RALs are available, please consult Inside Sales with specific request.  
 4 - Polished Gold finishes and Chrome finishes have a maximum fixture length of 96".  
 5 - LNPF - RNPF is not a valid configuration option

**Powerfeeds and Connectors**

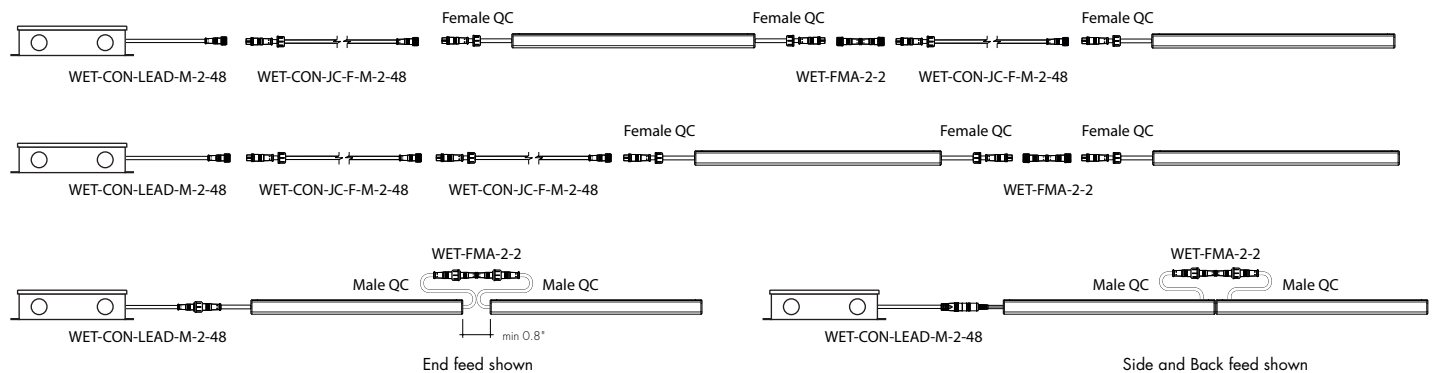
**Power Feed Position Options and Orientation**



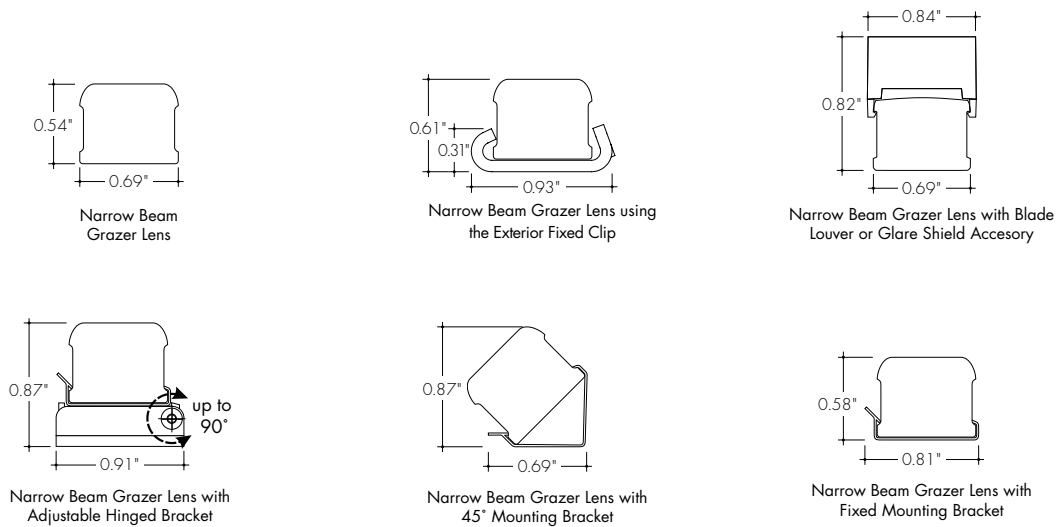
**Linking and Extension Cable Options**



**Sample Layout**



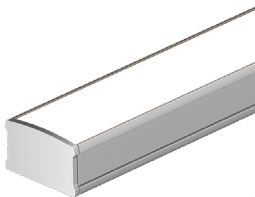
**Product Dimensions**



**Finish Options**

- Finish options are available in a wide variety, allowing for complete customization of style and aesthetic.
- Non Base finishes may have extended lead times and price adder.
- Polished Gold and Chrome finishes have a maximum fixture length of 96".
- Custom RALs are available, please consult Inside Sales with specific request.

**Silver Anodized Base**



Silver Anodized is a soft silver with a clear finish.

**Black Powder Coat**



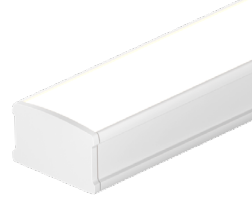
Black is a true deep black with a glossy finish.

**Bronze Powder Coat**



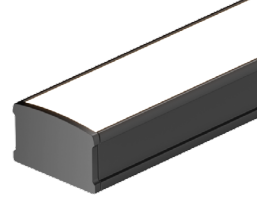
Bronze is a rich, dark brown with a satin finish.

**White Powder Coat**



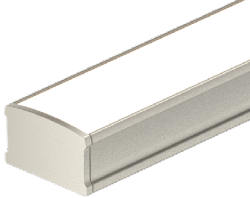
White is a polar bright white and field paintable.

**Matte Black Premium**



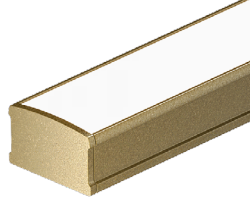
Matte Black is a dark, pitch-black with a soft flat finish.

**Warm Nickel Premium**



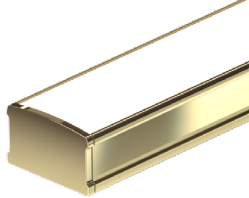
Warm Nickel is a soft, silvery smoke with warm tones and a satin finish.

**Aged Brass Premium**



Aged Brass is a deep brown shade with slightly golden undertones.

**Polished Gold Premium**



Polished Gold is bright and radiant for a brilliant finish.

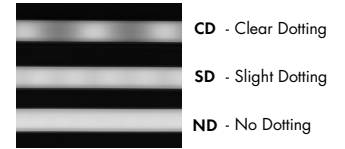
**Chrome Premium**



Chrome is a highly reflective silver polish.

### Light Transmission and Dotting

Output Options	Lens/Accessory											
	Narrow Beam Grazer Lens				Grazer Lens, White Glare Shield				Grazer Lens, White Blade Louver			
Dimming Level	100%	50%	10%	1%	100%	50%	10%	1%	100%	50%	10%	1%
72SO	CD	CD	CD	CD	CD	CD	CD	CD	CD	CD	CD	CD
72HO	CD	CD	CD	CD	CD	CD	CD	CD	CD	CD	CD	CD
72VHO	CD	CD	CD	CD	CD	CD	CD	CD	CD	CD	CD	CD
HE48LO	CD	CD	CD	CD	CD	CD	CD	CD	CD	CD	CD	CD
HE48SO	CD	CD	CD	CD	CD	CD	CD	CD	CD	CD	CD	CD
HE48MO	CD	CD	CD	CD	CD	CD	CD	CD	CD	CD	CD	CD
HE48HO	CD	CD	CD	CD	CD	CD	CD	CD	CD	CD	CD	CD
HE64VHO	CD	CD	CD	CD	CD	CD	CD	CD	CD	CD	CD	CD
<b>Transmission Percentage</b>	100%				72%				54%			



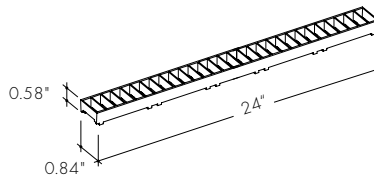
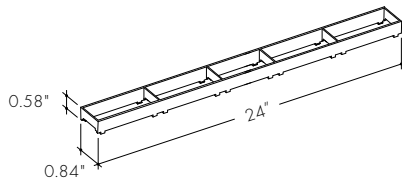
### Accessory Options

#### LV-GS-KMSC-24-XX

Glare Shield reduces glare at high angle, field cuttable. Also available with complete fixture, use ordering code **-GSXX**

#### LV-BL-KMSC-24-XX

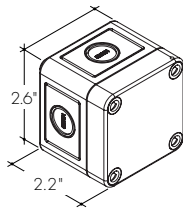
Blade Louver reduces glare at high angle in two directions. Also available with complete fixture, use ordering code **-BLXX**



XX	Color
WH	White
BK	Black
SL	Silver

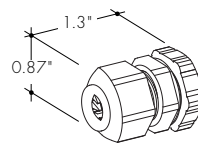
#### LVSP-WET

Splice box: wet rated, low voltage, gray



#### LVSP-WET-CM

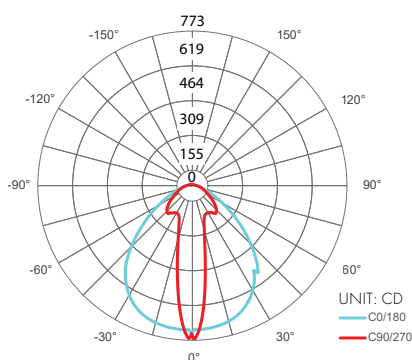
Connector for splice box, low voltage for cable management, gray.



### Photometry

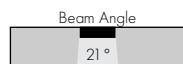
KMW-48-72VHO-30K-GR

Kendo M Wet, 4ft, 3000K, VHO, Narrow Beam Grazer Lens



#### Zonal Lumen Summary 3000K

Zone	Lumen	% Fixture
0-30	311	41.7%
0-40	493	59.5%
0-60	793	86.8%
0-90	915	98.7%
<b>Total</b>	<b>927</b>	<b>100.0%</b>



**Power Consumption**

Tested at Full Power with PS-UNI Series power supplies.

Standard Nominal Lengths offered provide minimal shadowing. For alternate lengths, please contact factory with specific request.

**High Color Quality (72)**

Nominal Length (in)	Actual Length	Watts			Nominal Length (in)	Actual Length	Watts			Nominal Length (in)	Actual Length	Watts			Nominal Length (in)	Actual Length	Watts		
		SO	HO	VHO			SO	HO	VHO			SO	HO	VHO			SO	HO	VHO
<b>12</b>	11 5/16	2.7	4.4	6.2	<b>47</b>	46 1/16	10.2	17.1	22.6	<b>82</b>	81 15/16	18.3	29.5	38.4	<b>117</b>	116 11/16	25.9	40.8	52.4
<b>13</b>	12 7/16	2.7	4.4	6.2	<b>48</b>	47 3/16	10.5	17.4	23.1	<b>83</b>	—	—	—	—	<b>118</b>	117 13/16	26.1	41.1	52.8
<b>14</b>	13 10/16	2.9	4.8	6.7	<b>49</b>	48 6/16	10.7	17.8	23.5	<b>84</b>	83 1/16	18.5	29.8	38.8	<b>119</b>	119	26.3	41.4	53.2
<b>15</b>	14 12/16	3.1	5.2	7.3	<b>50</b>	49 8/16	11.1	18.6	24.4	<b>85</b>	84 4/16	18.7	30.1	39.2	<b>120</b>	—	—	—	—
<b>16</b>	15 15/16	3.4	5.6	7.8	<b>51</b>	50 11/16	11.4	18.9	24.9	<b>86</b>	85 6/16	19.2	30.8	40.0	<b>121</b>	120 2/16	26.5	41.7	53.6
<b>17</b>	—	—	—	—	<b>52</b>	51 13/16	11.6	19.3	25.3	<b>87</b>	86 9/16	19.4	31.1	40.4	<b>122</b>	121 5/16	26.7	42.0	54.0
<b>18</b>	17 1/16	3.6	6.0	8.3	<b>53</b>	53	11.9	19.7	25.7	<b>88</b>	87 12/16	19.6	31.5	40.8	<b>123</b>	122 7/16	27.1	42.6	54.7
<b>19</b>	18 4/16	3.9	6.5	8.9	<b>54</b>	—	—	—	—	<b>89</b>	88 14/16	19.9	31.8	41.1	<b>124</b>	123 10/16	27.3	42.9	55.0
<b>20</b>	19 6/16	4.4	7.3	9.9	<b>55</b>	54 2/16	12.1	20.1	26.1	<b>90</b>	—	—	—	—	<b>125</b>	124 12/16	27.5	43.1	55.4
<b>21</b>	20 9/16	4.6	7.7	10.5	<b>56</b>	55 5/16	12.3	20.5	26.6	<b>91</b>	90 1/16	20.1	32.2	41.5	<b>126</b>	125 15/16	27.7	43.4	55.7
<b>22</b>	21 11/16	4.8	8.1	11.0	<b>57</b>	56 7/16	12.8	21.3	27.4	<b>92</b>	91 3/16	20.4	32.5	41.9	<b>127</b>	—	—	—	—
<b>23</b>	22 14/16	5.1	8.6	11.5	<b>58</b>	57 10/16	13.1	21.6	27.8	<b>93</b>	92 6/16	20.6	32.9	42.3	<b>128</b>	127 1/16	27.9	43.7	56.1
<b>24</b>	—	—	—	—	<b>59</b>	58 12/16	13.3	22.0	28.3	<b>94</b>	93 8/16	21.1	33.6	43.1	<b>129</b>	128 4/16	28.1	43.9	56.4
<b>25</b>	24 1/16	5.3	9.0	12.1	<b>60</b>	59 15/16	13.6	22.4	28.7	<b>95</b>	94 11/16	21.3	33.9	43.4	<b>130</b>	129 7/16	28.5	44.5	57.1
<b>26</b>	25 3/16	5.6	9.4	12.6	<b>61</b>	—	—	—	—	<b>96</b>	95 13/16	21.5	34.2	43.8	<b>131</b>	130 9/16	28.7	44.7	57.4
<b>27</b>	26 6/16	5.8	9.8	13.1	<b>62</b>	61 1/16	13.8	22.8	29.1	<b>97</b>	97	21.8	34.6	44.2	<b>132</b>	131 12/16	28.9	45.0	57.8
<b>28</b>	27 8/16	6.2	10.5	14.1	<b>63</b>	62 4/16	14.0	23.1	29.6	<b>98</b>	—	—	—	—	<b>133</b>	132 14/16	29.1	45.3	58.1
<b>29</b>	28 11/16	6.5	10.9	14.5	<b>64</b>	63 6/16	14.5	23.8	30.5	<b>99</b>	98 2/16	22.0	34.9	44.6	<b>134</b>	—	—	—	—
<b>30</b>	29 13/16	6.7	11.2	15.0	<b>65</b>	64 9/16	14.7	24.1	31.0	<b>100</b>	99 5/16	22.2	35.2	45.0	<b>135</b>	134 1/16	29.3	45.5	58.4
<b>31</b>	31	6.9	11.6	15.5	<b>66</b>	65 12/16	14.9	24.4	31.4	<b>101</b>	100 7/16	22.5	35.9	45.9	<b>136</b>	135 3/16	29.5	45.7	58.7
<b>32</b>	—	—	—	—	<b>67</b>	66 14/16	15.1	24.7	31.9	<b>102</b>	101 10/16	22.7	36.2	46.3	<b>137</b>	136 6/16	29.6	45.9	59.1
<b>33</b>	32 2/16	7.1	12.0	16.0	<b>68</b>	—	—	—	—	<b>103</b>	102 12/16	22.9	36.5	46.7	<b>138</b>	137 8/16	30.0	46.3	59.7
<b>34</b>	33 5/16	7.3	12.3	16.5	<b>69</b>	68 1/16	15.3	25.0	32.4	<b>104</b>	103 15/16	23.1	36.8	47.1	<b>139</b>	138 11/16	30.2	46.5	60.0
<b>35</b>	34 7/16	7.8	13.1	17.4	<b>70</b>	69 3/16	15.5	25.4	32.8	<b>105</b>	—	—	—	—	<b>140</b>	139 13/16	30.3	46.8	60.3
<b>36</b>	35 10/16	8.0	13.4	17.9	<b>71</b>	70 6/16	15.8	25.7	33.3	<b>106</b>	105 1/16	23.3	37.1	47.5	<b>141</b>	141	30.5	47.0	60.6
<b>37</b>	36 12/16	8.2	13.8	18.4	<b>72</b>	71 8/16	16.2	26.3	34.2	<b>107</b>	106 4/16	23.5	37.4	48.0	<b>142</b>	—	—	—	—
<b>38</b>	37 15/16	8.4	14.2	18.9	<b>73</b>	72 11/16	16.4	26.6	34.7	<b>108</b>	107 6/16	23.9	38.1	48.8	<b>143</b>	142 2/16	30.7	47.2	61.0
<b>39</b>	—	—	—	—	<b>74</b>	73 13/16	16.6	26.9	35.1	<b>109</b>	108 9/16	24.1	38.4	49.2	<b>144</b>	143 5/16	30.8	47.4	61.3
<b>40</b>	39 1/16	8.7	14.5	19.3	<b>75</b>	75	16.8	27.3	35.5	<b>110</b>	109 12/16	24.3	38.7	49.6					
<b>41</b>	40 4/16	8.9	14.9	19.8	<b>76</b>	—	—	—	—	<b>111</b>	110 14/16	24.5	39.0	50.0					
<b>42</b>	41 6/16	9.3	15.6	20.7	<b>77</b>	76 2/16	17.1	27.6	35.9	<b>112</b>	—	—	—	—					
<b>43</b>	42 9/16	9.6	16.0	21.2	<b>78</b>	77 5/16	17.3	27.9	36.3	<b>113</b>	112 1/16	24.8	39.3	50.4					
<b>44</b>	43 12/16	9.8	16.4	21.7	<b>79</b>	78 7/16	17.7	28.5	37.2	<b>114</b>	113 3/16	25.0	39.6	50.8					
<b>45</b>	44 14/16	10.0	16.7	22.1	<b>80</b>	79 10/16	17.9	28.9	37.6	<b>115</b>	114 6/16	25.2	39.9	51.2					
<b>46</b>	—	—	—	—	<b>81</b>	80 12/16	18.1	29.2	38.0	<b>116</b>	115 8/16	25.6	40.5	52.0					

**Power Consumption**

Tested at Full Power with PS-UNI Series power supplies.

Standard Nominal Lengths offered provide minimal shadowing. For alternate lengths, please contact factory with specific request.

**High Efficacy (HE48)**

Nominal Length (in)	Actual Length	Watts				Nominal Length (in)	Actual Length	Watts				Nominal Length (in)	Actual Length	Watts				Nominal Length (in)	Actual Length	Watts			
		LO	SO	MO	HO			LO	SO	MO	HO			LO	SO	MO	HO			LO	SO	MO	HO
12	10 11/16	1.7	2.5	3.5	5.7	47	46 2/16	6.9	10.7	13.3	24.7	82	81 9/16	12.5	19.9	23.9	42.2	117	-	-	-	-	
13	12 11/16	1.7	2.5	3.5	5.7	48	-	-	-	-	-	83	-	-	-	-	-	118	117	17.5	27.7	34.3	58.7
14	-	-	-	-	-	49	48 2/16	7.1	11.2	13.9	25.4	84	83 9/16	12.8	20.3	24.5	43.1	119	119	17.8	28.1	34.9	59.6
15	14 10/16	2.0	3.0	4.0	7.2	50	-	-	-	-	-	85	-	-	-	-	-	120	-	-	-	-	
16	-	-	-	-	-	51	50 1/16	7.4	11.7	14.5	26.3	86	85 8/16	13.1	20.8	25.1	44.1	121	120 15/16	18.1	28.6	35.5	60.5
17	16 10/16	2.4	3.5	4.6	8.7	52	-	-	-	-	-	87	-	-	-	-	-	122	-	-	-	-	
18	-	-	-	-	-	53	52 1/16	7.7	12.3	15.1	27.4	88	87 8/16	13.4	21.3	25.7	45.0	123	122 15/16	18.3	29.0	36.0	62.1
19	18 9/16	2.7	3.9	5.2	10.2	54	-	-	-	-	-	89	-	-	-	-	-	124	-	-	-	-	
20	-	-	-	-	-	55	54	8.0	12.9	15.7	28.5	90	89 7/16	13.7	21.7	26.3	46.0	125	124 14/16	18.4	29.5	36.6	63.8
21	20 9/16	3.0	4.4	5.8	11.7	56	56	8.4	13.5	16.4	29.5	91	-	-	-	-	-	126	-	-	-	-	
22	-	-	-	-	-	57	-	-	-	-	-	92	91 7/16	14.0	22.1	26.9	47.0	127	126 14/16	18.6	29.9	37.2	65.4
23	22 8/16	3.4	4.9	6.4	13.2	58	57 15/16	8.7	14.0	17.0	30.6	93	-	-	-	-	-	128	-	-	-	-	
24	-	-	-	-	-	59	-	-	-	-	-	94	93 6/16	14.3	22.6	27.5	47.9	129	128 13/16	18.8	30.4	37.7	67.0
25	24 8/16	3.7	5.4	7.0	14.7	60	59 15/16	9.0	14.6	17.6	31.6	95	-	-	-	-	-	130	-	-	-	-	
26	-	-	-	-	-	61	-	-	-	-	-	96	95 6/16	14.4	22.8	27.8	48.4	131	130 13/16	18.9	30.8	38.3	68.6
27	26 7/16	4.1	5.9	7.5	15.8	62	61 14/16	9.4	15.2	18.2	32.6	97	-	-	-	-	-	132	-	-	-	-	
28	-	-	-	-	-	63	-	-	-	-	-	98	97 5/16	14.7	23.3	28.5	49.4	133	132 12/16	19.1	31.2	38.9	70.2
29	28 7/16	4.4	6.4	8.1	16.8	64	63 14/16	9.7	15.6	18.7	33.7	99	-	-	-	-	-	134	-	-	-	-	
30	-	-	-	-	-	65	-	-	-	-	-	100	99 5/16	15.0	23.7	29.0	50.4	135	134 12/16	19.3	31.8	39.4	70.7
31	30 6/16	4.8	6.9	8.7	17.9	66	65 13/16	10.0	16.1	19.2	34.7	101	-	-	-	-	-	136	-	-	-	-	
32	-	-	-	-	-	67	-	-	-	-	-	102	101 4/16	15.3	24.1	29.6	51.3	137	136 11/16	19.5	32.3	40.0	71.2
33	32 6/16	5.0	7.2	9.0	18.5	68	67 13/16	10.4	16.5	19.8	35.7	103	-	-	-	-	-	138	-	-	-	-	
34	-	-	-	-	-	69	-	-	-	-	-	104	103 4/16	15.6	24.6	30.2	52.3	139	138 11/16	19.8	32.8	40.6	71.8
35	34 5/16	5.4	7.7	9.6	19.5	70	69 12/16	10.7	17.0	20.3	36.7	105	-	-	-	-	-	140	-	-	-	-	
36	-	-	-	-	-	71	-	-	-	-	-	106	105 3/16	15.8	25.0	30.7	53.2	141	140 10/16	20.0	33.3	41.1	72.3
37	36 5/16	5.7	8.2	10.2	20.6	72	71 12/16	11.0	17.4	20.8	37.7	107	-	-	-	-	-	142	-	-	-	-	
38	-	-	-	-	-	73	-	-	-	-	-	108	107 3/16	16.1	25.5	31.3	54.2	143	142 10/16	20.2	33.9	41.7	72.8
39	38 4/16	6.0	8.7	10.8	21.5	74	73 11/16	11.3	17.9	21.4	38.7	109	-	-	-	-	-	144	-	-	-	-	
40	-	-	-	-	-	75	-	-	-	-	-	110	109 2/16	16.4	25.9	31.9	55.2						
41	40 4/16	6.2	9.2	11.4	22.3	76	75 11/16	11.6	18.4	22.0	39.6	111	-	-	-	-	-						
42	-	-	-	-	-	77	-	-	-	-	-	112	111 2/16	16.7	26.4	32.5	56.1						
43	42 3/16	6.4	9.7	12.0	23.1	78	77 10/16	11.9	18.9	22.7	40.5	113	-	-	-	-	-						
44	-	-	-	-	-	79	-	-	-	-	-	114	113 1/16	17.0	26.8	33.1	57.0						
45	44 3/16	6.7	10.2	12.6	23.9	80	79 10/16	12.2	19.4	23.3	41.4	115	-	-	-	-	-						
46	-	-	-	-	-	81	-	-	-	-	-	116	115 1/16	17.3	27.3	33.7	57.9						

**Power Consumption**

Tested at Full Power with PS-UNI Series power supplies.

Standard Nominal Lengths offered provide minimal shadowing. For alternate lengths, please contact factory with specific request.

**High Efficacy (HE64)**

Nominal Length (in)	Actual Length	Watts	Nominal Length (in)	Actual Length	Watts	Nominal Length (in)	Actual Length	Watts	Nominal Length (in)	Actual Length	Watts
		VHO			VHO			VHO			VHO
<b>12</b>	11 8/16	7.6	<b>47</b>	46 5/16	28.2	<b>82</b>	81 2/16	50.4	<b>117</b>	—	—
<b>13</b>	13	7.6	<b>48</b>	47 13/16	29.5	<b>83</b>	82 10/16	51.7	<b>118</b>	117 8/16	72.8
<b>14</b>	—	—	<b>49</b>	—	—	<b>84</b>	—	—	<b>119</b>	119	73.3
<b>15</b>	14 8/16	8.9	<b>50</b>	49 5/16	30.1	<b>85</b>	84 3/16	52.3	<b>120</b>	—	—
<b>16</b>	—	—	<b>51</b>	50 14/16	31.4	<b>86</b>	85 11/16	53.6	<b>121</b>	120 8/16	74.4
<b>17</b>	16	9.5	<b>52</b>	—	—	<b>87</b>	—	—	<b>122</b>	—	—
<b>18</b>	17 9/16	10.7	<b>53</b>	52 6/16	32.0	<b>88</b>	87 3/16	54.2	<b>123</b>	122	74.8
<b>19</b>	—	—	<b>54</b>	53 14/16	33.3	<b>89</b>	88 11/16	55.5	<b>124</b>	123 8/16	75.6
<b>20</b>	19 1/16	11.4	<b>55</b>	—	—	<b>90</b>	—	—	<b>125</b>	—	—
<b>21</b>	20 9/16	12.6	<b>56</b>	55 6/16	34.0	<b>91</b>	90 3/16	56.2	<b>126</b>	125 1/16	76.0
<b>22</b>	—	—	<b>57</b>	56 14/16	35.2	<b>92</b>	91 12/16	57.5	<b>127</b>	126 9/16	76.8
<b>23</b>	22 1/16	13.2	<b>58</b>	—	—	<b>93</b>	—	—	<b>128</b>	—	—
<b>24</b>	23 9/16	14.5	<b>59</b>	58 7/16	36.5	<b>94</b>	93 4/16	58.2	<b>129</b>	128 1/16	77.2
<b>25</b>	—	—	<b>60</b>	59 15/16	37.2	<b>95</b>	94 12/16	59.5	<b>130</b>	129 9/16	78.0
<b>26</b>	25 2/16	15.1	<b>61</b>	—	—	<b>96</b>	—	—	<b>131</b>	—	—
<b>27</b>	26 10/16	16.4	<b>62</b>	61 7/16	38.4	<b>97</b>	96 4/16	60.1	<b>132</b>	131 2/16	78.4
<b>28</b>	—	—	<b>63</b>	62 15/16	39.1	<b>98</b>	97 13/16	61.4	<b>133</b>	132 10/16	79.2
<b>29</b>	28 2/16	17.0	<b>64</b>	—	—	<b>99</b>	—	—	<b>134</b>	—	—
<b>30</b>	29 10/16	18.2	<b>65</b>	64 8/16	40.4	<b>100</b>	99 5/16	62.0	<b>135</b>	134 2/16	79.6
<b>31</b>	—	—	<b>66</b>	66	41.0	<b>101</b>	100 13/16	63.2	<b>136</b>	135 10/16	80.3
<b>32</b>	31 3/16	18.9	<b>67</b>	—	—	<b>102</b>	—	—	<b>137</b>	—	—
<b>33</b>	32 11/16	20.1	<b>68</b>	67 8/16	42.3	<b>103</b>	102 5/16	63.8	<b>138</b>	137 2/16	80.6
<b>34</b>	—	—	<b>69</b>	—	—	<b>104</b>	103 14/16	65.0	<b>139</b>	138 11/16	81.3
<b>35</b>	34 3/16	20.7	<b>70</b>	69	42.9	<b>105</b>	—	—	<b>140</b>	—	—
<b>36</b>	35 11/16	22.0	<b>71</b>	70 9/16	44.2	<b>106</b>	105 6/16	65.6	<b>141</b>	140 3/16	81.7
<b>37</b>	—	—	<b>72</b>	—	—	<b>107</b>	106 14/16	66.8	<b>142</b>	141 11/16	82.4
<b>38</b>	37 4/16	22.6	<b>73</b>	72 1/16	44.9	<b>108</b>	—	—	<b>143</b>	—	—
<b>39</b>	38 12/16	23.9	<b>74</b>	73 9/16	46.1	<b>109</b>	108 6/16	67.4	<b>144</b>	143 3/16	82.7
<b>40</b>	—	—	<b>75</b>	—	—	<b>110</b>	109 14/16	68.5			
<b>41</b>	40 4/16	24.5	<b>76</b>	75 1/16	46.7	<b>111</b>	—	—			
<b>42</b>	41 12/16	25.7	<b>77</b>	76 9/16	48.0	<b>112</b>	111 7/16	69.6			
<b>43</b>	—	—	<b>78</b>	—	—	<b>113</b>	112 15/16	70.1			
<b>44</b>	43 4/16	26.4	<b>79</b>	78 2/16	48.6	<b>114</b>	—	—			
<b>45</b>	44 13/16	27.6	<b>80</b>	79 10/16	49.8	<b>115</b>	114 7/16	71.2			
<b>46</b>	—	—	<b>81</b>	—	—	<b>116</b>	115 15/16	71.7			

### Voltage Drop Calculator

The below chart assumes nominal voltage of 24 Volts and a Voltage Drop Allowance of 3% through the wire

Wattage [W]	Wire Length From Power Supply to Start of Run [ft]						
	12 AWG	14 AWG	16 AWG	18 AWG	20 AWG	22 AWG	24 AWG
<b>5</b>	1088.2	684.4	430.3	270.6	170.2	107.1	67.3
<b>10</b>	544.1	342.2	215.1	135.3	85.1	53.5	33.7
<b>15</b>	362.7	228.1	143.4	90.2	56.7	35.7	22.4
<b>20</b>	272.0	171.1	107.6	67.7	42.6	26.8	16.8
<b>25</b>	217.6	136.9	86.1	54.1	34.0	21.4	13.5
<b>30</b>	181.4	114.1	71.7	45.1	28.4	17.8	11.2
<b>35</b>	155.5	97.8	61.5	38.7	24.3	15.3	9.6
<b>40</b>	136.0	85.5	53.8	33.8	21.3	13.4	8.4
<b>45</b>	120.9	76.0	47.8	30.1	18.9	11.9	7.5
<b>50</b>	108.8	68.4	43.0	27.1	17.0	10.7	6.7
<b>55</b>	98.9	62.2	39.1	24.6	15.5	9.7	6.1
<b>60</b>	90.7	57.0	35.9	22.6	14.2	8.9	5.6
<b>65</b>	83.7	52.6	33.1	20.8	13.1	8.2	5.2
<b>70</b>	77.7	48.9	30.7	19.3	12.2	7.6	4.8
<b>75</b>	72.5	45.6	28.7	18.0	11.3	7.1	4.5
<b>80</b>	68.0	42.8	26.9	16.9	10.6	6.7	4.2
<b>85</b>	64.0	40.3	25.3	15.9	10.0	6.3	4.0
<b>90</b>	60.5	38.0	23.9	15.0	9.5	5.9	3.7
<b>96</b>	56.7	35.6	22.4	14.1	8.9	5.6	3.5



**Power Supplies**

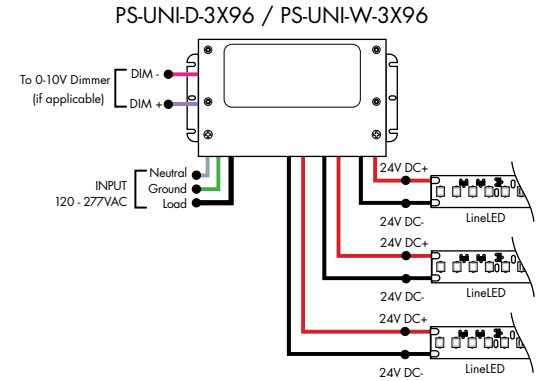
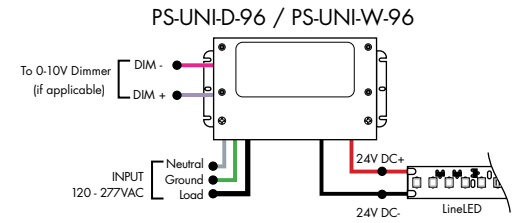
See Power Supply instructions and spec sheet for wiring information. For a complete list of compatible dimmers, see Compatible Dimming Chart on the Resources page.

**Ordering Code Universal Dimming Power Supplies 1% 120VAC - 277VAC**

MODEL	INPUT CONTROL	ENVIRONMENT	WATTAGE	OUTPUT
PS-Power Supply, 120-277VAC	UNI-0-10V Dimming, Phase Dimming	D-Dry W-Wet	30-30 Watts 60-60 Watts 96-96 Watts 3x96-3x96 Watts	24-24 VDC

Compatibility: View a complete list of compatible dimmers on product page [\(Link\)](#)

0-10V - 1% dimming  
MLV/ELV/TRIAC - 1% dimming, consult dimming compatibility chart



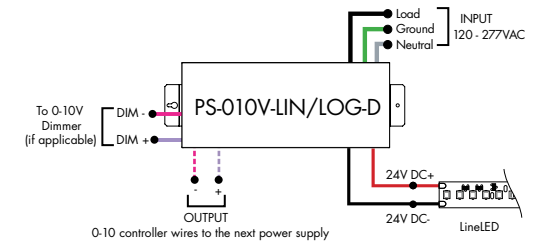
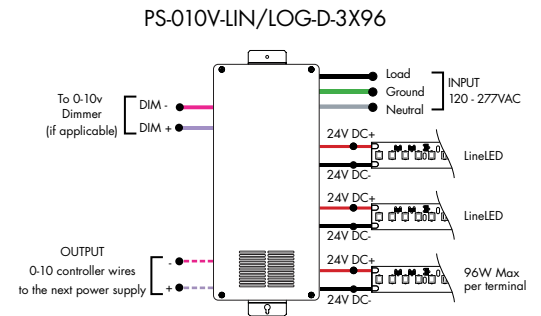
MODELS	PS-UNI-W-30W	PS-UNI-W-60W	PS-UNI-W-96W	PS-UNI-W-3X96W
<b>Length</b>	6.50"	7.40"	8.66"	11.85"
<b>Width</b>	3.73"	3.73"	3.73"	4.32"
<b>Depth</b>	1.61"	1.61"	1.61"	1.81"

MODELS	PS-UNI-D-30W	PS-UNI-D-60W	PS-UNI-D-96W	PS-UNI-D-3X96W
<b>Length</b>	8.77"	8.77"	8.11"	9.94"
<b>Width</b>	4.27"	4.27"	5.60"	7.61"
<b>Depth</b>	1.83"	1.83"	1.83"	2.02"

**Ordering Code 0-10V Dimming Power Supplies 0.1% 120VAC - 277VAC**

MODEL	INPUT CONTROL	ENVIRONMENT	WATTAGE	OUTPUT
PS-Power Supply, 120-277VAC	010V-LIN-0-10V Dimming (0.1%), Linear 010V-LOG-0-10V Dimming (0.1%), Logarithmic	D-Dry	96-96 Watts 3X96-3x96 Watts	24-24 VDC

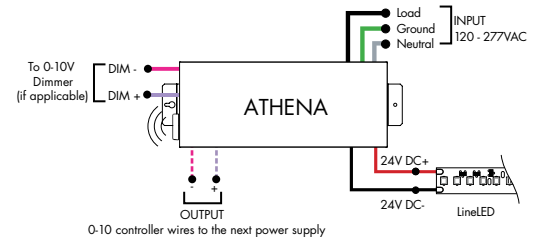
MODELS	96W	3X96
<b>Length</b>	14.40"	15.00"
<b>Width</b>	5.20"	6.62"
<b>Depth</b>	2.60"	4.45"



**Athena 0-10V LED Driver**

MODEL	INPUT CONTROL	ENVIRONMENT	WATTAGE	OUTPUT	FEATURE
PS-Power Supply, 120-277VAC	010V-LIN-0-10V Dimming, Linear 010V-LOG-0-10V Dimming, Logarithmic	D-Dry	96-96 W	24-24 VDC	AWNR-Athena

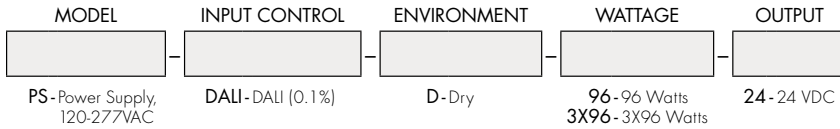
MODELS	96W
<b>Length</b>	14.40"
<b>Width</b>	5.20"
<b>Depth</b>	2.60"



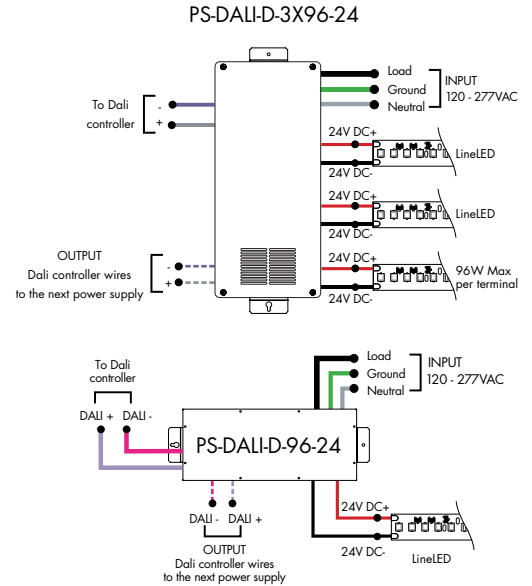
**Power Supplies**

See Power Supply instructions and spec sheet for wiring information. For a complete list of compatible dimmers, see Compatible Dimming Chart on the Resources page.

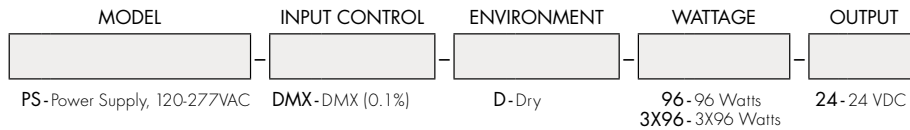
**Ordering Code DALI1 Dimming Power Supplies 0.1% 120VAC - 277VAC**



Model	96W	3X96
Length	14.40"	15.00"
Width	5.20"	6.62"
Depth	2.60"	4.56"

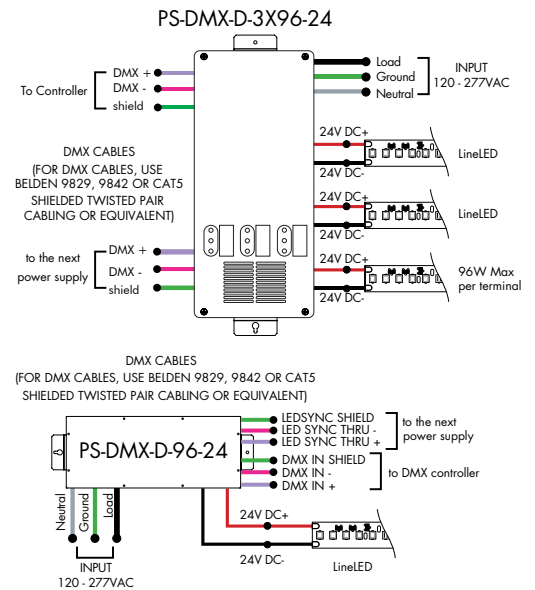


**Ordering Code DMX Dimming Power Supplies 0.1% 120VAC - 277VAC** Requires Zonal Control

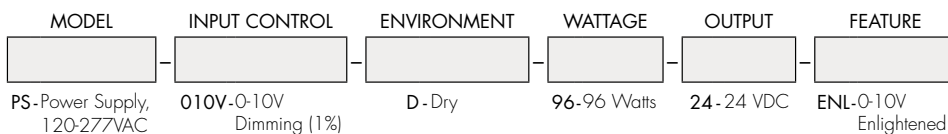


\*Zonal control power supplies. Control multiple tapes/zones using DMX channels.

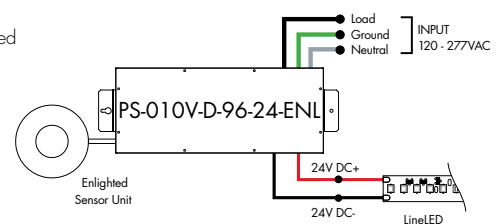
MODELS	96W	3X96
Length	14.40"	15.00"
Width	5.20"	6.62"
Depth	2.60"	4.56"



**Ordering Code Enlighted Enabled Dimming Power Supplies 1% 120VAC - 277VAC**



Model	96W
Length	14.40"
Width	5.20"
Depth	2.60"

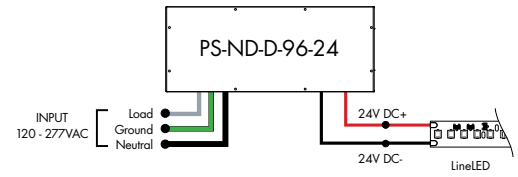


### Power Supplies

See Power Supply instructions and spec sheet for wiring information. For a complete list of compatible dimmers, see Compatible Dimming Chart on the Resources page.

#### Ordering Code Non-Dimming Power Supply 120VAC - 277VAC

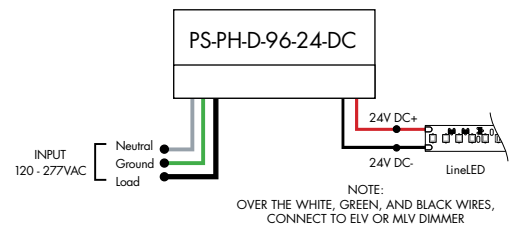
MODEL	INPUT CONTROL	ENVIRONMENT	WATTAGE	OUTPUT
PS-Power Supply, 120-277VAC	ND-Non Dimming	D-Dry	96-96 Watts	24-24 VDC



MODELS	96W
Length	14.40"
Width	5.20"
Depth	2.60"

#### Ordering Code Phase Dimming Power Supply 1% 120VAC - 277VAC

MODEL	INPUT CONTROL	ENVIRONMENT	WATTAGE	OUTPUT	OUTPUT CONTROL
PS-Power Supply, 120-277VAC	PH-Phase Dimming (Triac, ELV, MLV)	D-Dry	96-96 Watts	24-24 VDC	DC-Direct Current



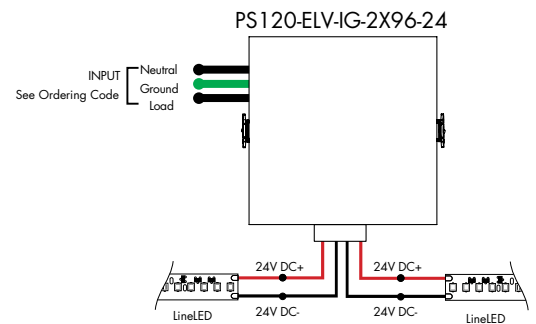
MLV/ELV/TRIAC - 1% dimming, consult dimming compatibility chart ([link](#))

MODELS	96W
Length	8.25"
Width	4.10"
Depth	1.56"

#### Ordering Code In-Ground Power Supplies

MODEL	INPUT CONTROL	ENVIRONMENT	WATTAGE	OUTPUT
PS120-Power Supply, 120VAC PS240-Power Supply, 240VAC PS277-Power Supply, 277VAC	ELV-ELV Dimming (1%)	IG-In Ground	2X96-2X96 Watts	24-24 VDC

MODELS	2X96W
Length	8.40"
Width	8.30"
Depth	8.10"



### Power Supplies

See Power Supply instructions and spec sheet for wiring information. For a complete list of compatible dimmers, see Compatible Dimming Chart on the Resources page.



Luminii is a Lutron OEM Advantage Partner

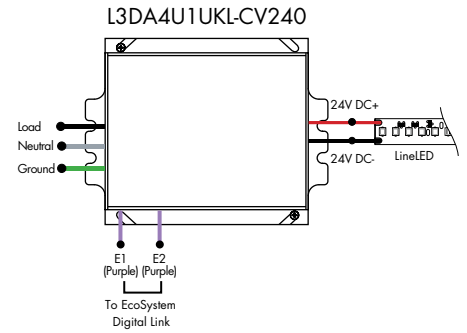
**Lutron Power Supplies 1%**

MODEL

**L3DA4U1UKL-CV240**

HiLume™ 1% EcoSystem Voltage LED driver  
40W max

MODELS	L3DA4U1UKL-CV240
<b>Length</b>	4.98"
<b>Width</b>	4.00"
<b>Depth</b>	2.62"



Luminii is a Lutron OEM Advantage Partner

**Lutron Power Supplies 0.1%**

MODEL

**L3D0-96W24V-U**

HiLume™ 0.1% EcoSystem Voltage LED Driver with Soft-On, Fade-to-Black™  
96W max

MODELS	L3D0
<b>Length</b>	10.50"
<b>Width</b>	5.50"
<b>Depth</b>	2.00"

